

US00D509004S

(12) **United States Design Patent** (10) **Patent No.:** **US D509,004 S**  
**Rosian** (45) **Date of Patent:** **\*\* \*Aug. 30, 2005**

(54) **COVER FOR RAIL ATTACHMENT**

(76) Inventor: **Michael J. Rosian**, P.O. Box 1041,  
Orland Park, IL (US) 60462

(\* ) Notice: This patent is subject to a terminal disclaimer.

(\*\* ) Term: **14 Years**

(21) Appl. No.: **29/200,167**

(22) Filed: **Feb. 24, 2004**

(51) **LOC (8) Cl.** ..... **25-01**

(52) **U.S. Cl.** ..... **D25/135**

(58) **Field of Search** ..... D25/133, 135;  
52/721.5, 723.2; 256/65.01, 65.02, 65.04,  
65.05, 65.06

(56) **References Cited**

**U.S. PATENT DOCUMENTS**

D303,716 S	9/1989	Waller	.....	D8/354
5,788,224 A *	8/1998	Platt	.....	256/66
5,873,671 A	2/1999	West	.....	403/232.1
D460,571 S *	7/2002	Schimmelpfennig	.....	D25/135
D493,993 S	8/2004	Roberts, III et al.	.....	D6/550
2003/0030048 A1	2/2003	Quaintance et al.	.....	256/59
2003/0164486 A1	9/2003	West	.....	256/65.1

**OTHER PUBLICATIONS**

Cover from Kroy Building Products, Inc. of York, Nebraska.  
Cover from Homeland® Vinyl Fence Ltd. of Brampton,  
Ontario, Canada.

\* cited by examiner

*Primary Examiner*—Doris Clark

(74) *Attorney, Agent, or Firm*—McAndrews, Held, & Malloy, Ltd.

(57) **CLAIM**

I claim the ornamental design for the cover for rail attachment, as shown and described.

**DESCRIPTION**

The present invention is the ornamental design for the cover for rail attachment. The nature and environmental use of the claimed design is as follows: The cover has an opening that receives an end of a rail. The cover hides or covers the attachment of the rail to a support post.

FIG. 1 is a perspective view of a cover for a rail attachment according to the present invention;

FIG. 2 is a top view of the cover for a rail attachment;

FIG. 3 is a view of a first side of the cover for a rail attachment;

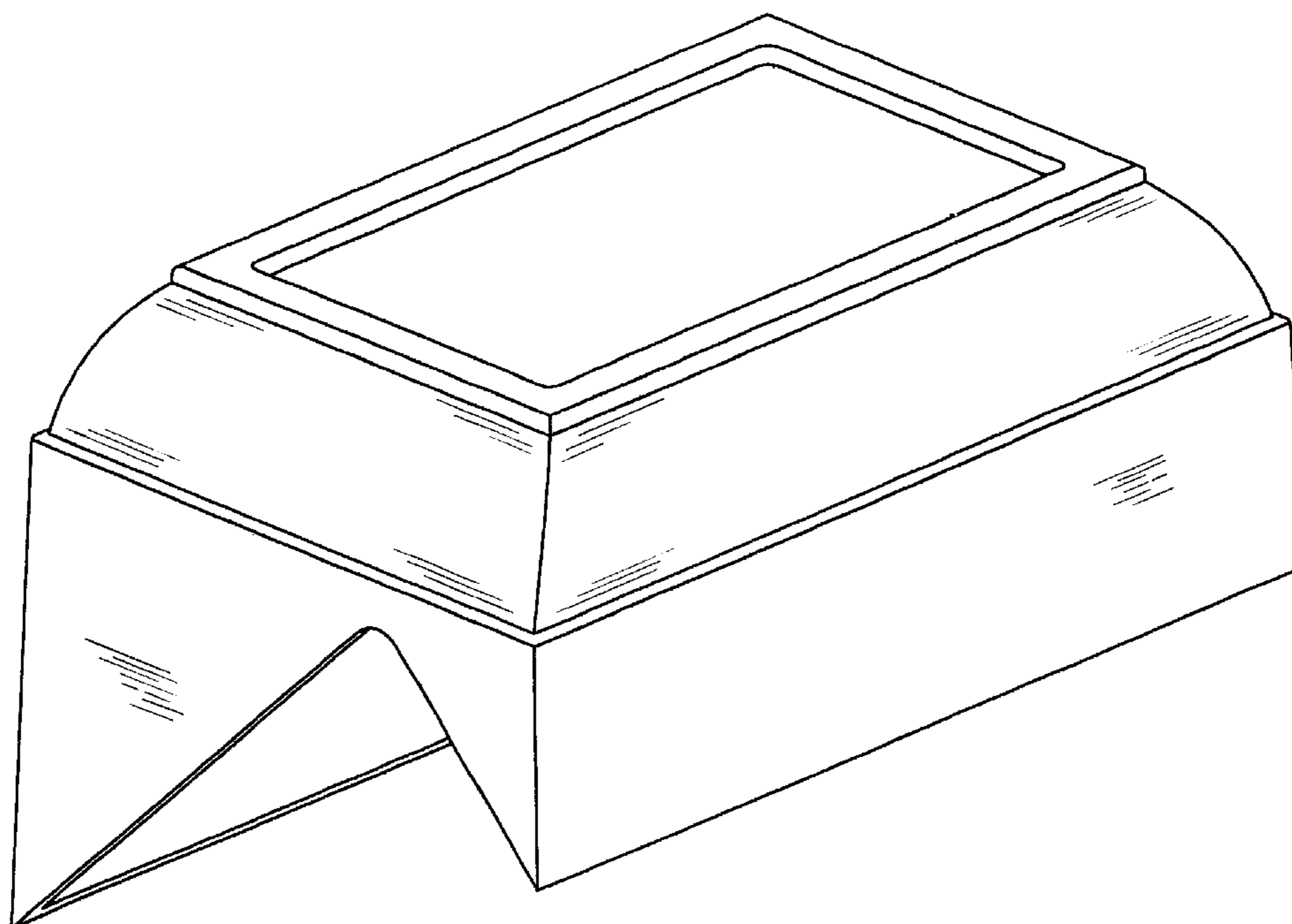
FIG. 4 is an upside-down view of a second side of the cover for a rail attachment;

FIG. 5 is a view of a third side of the cover for a rail attachment; and,

FIG. 6 is a view of a fourth side of the cover for a rail attachment.

Ordinarily, the bottom of the cover will not be visible when the cover is in use as a cover for a rail attachment. The third and fourth sides are shaped so that the bottom of the cover can be attached to a non-planar surface, such as a corner of a support post.

**1 Claim, 6 Drawing Sheets**



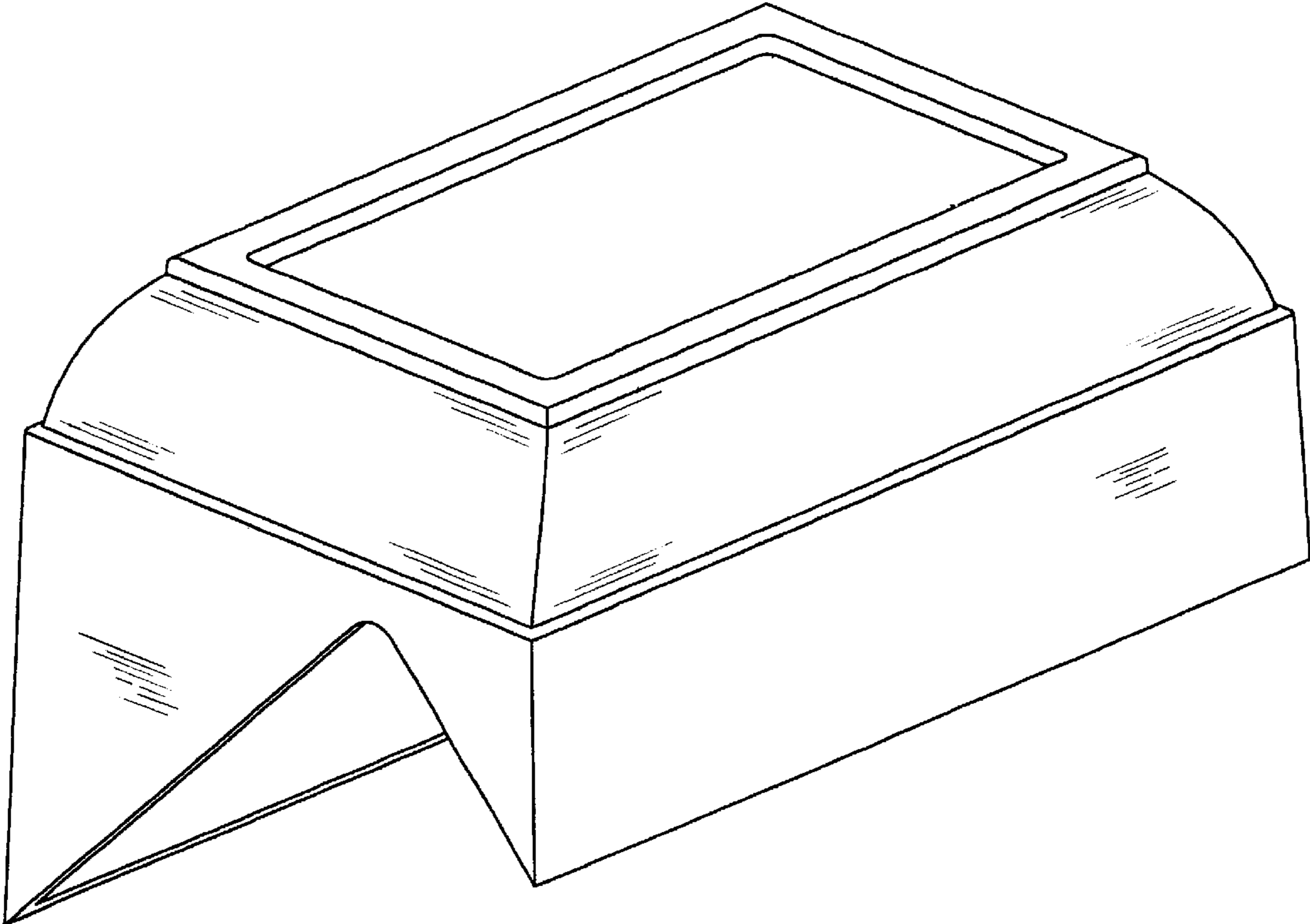


Figure 1

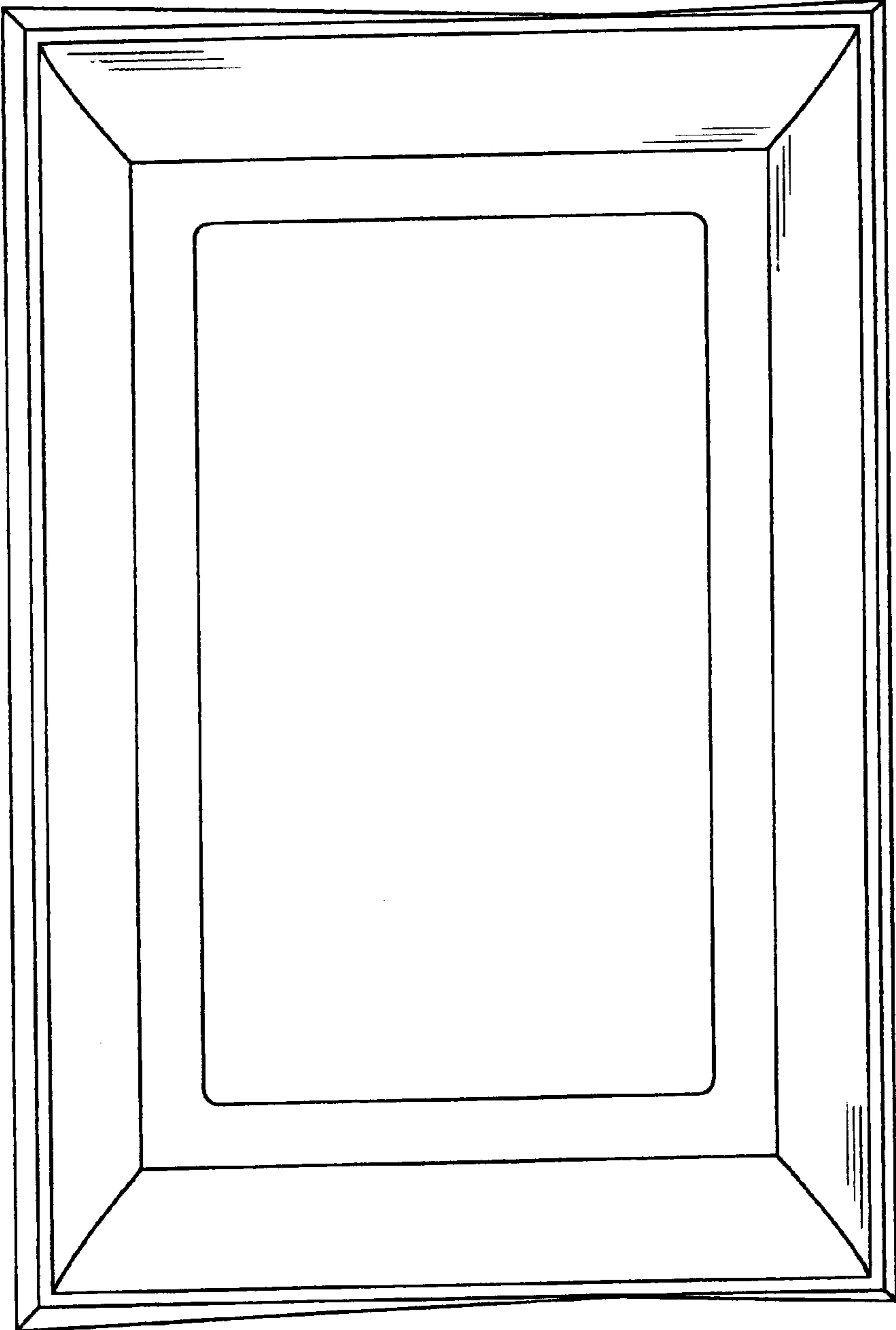
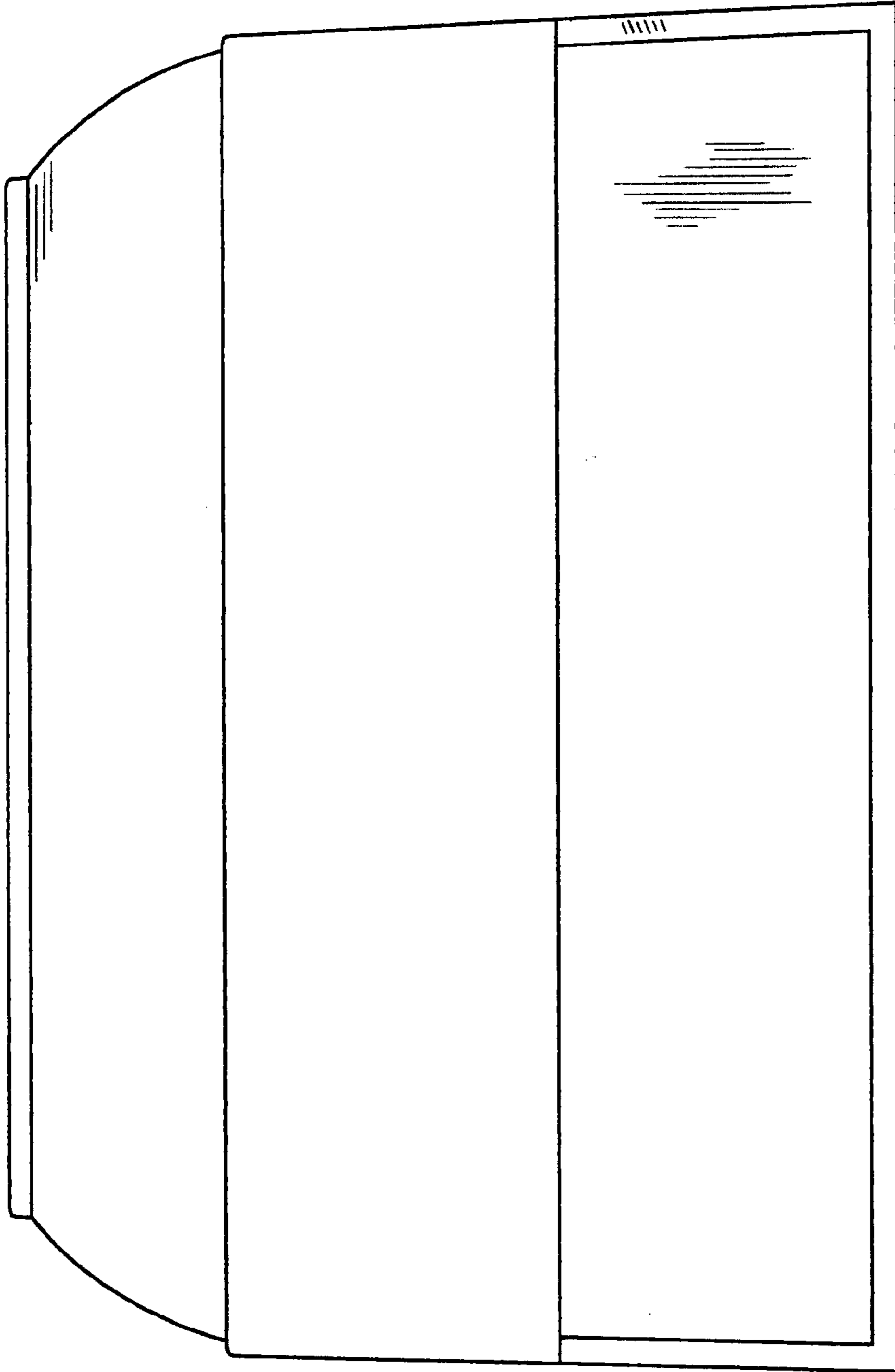


Figure 2



**Figure 3**

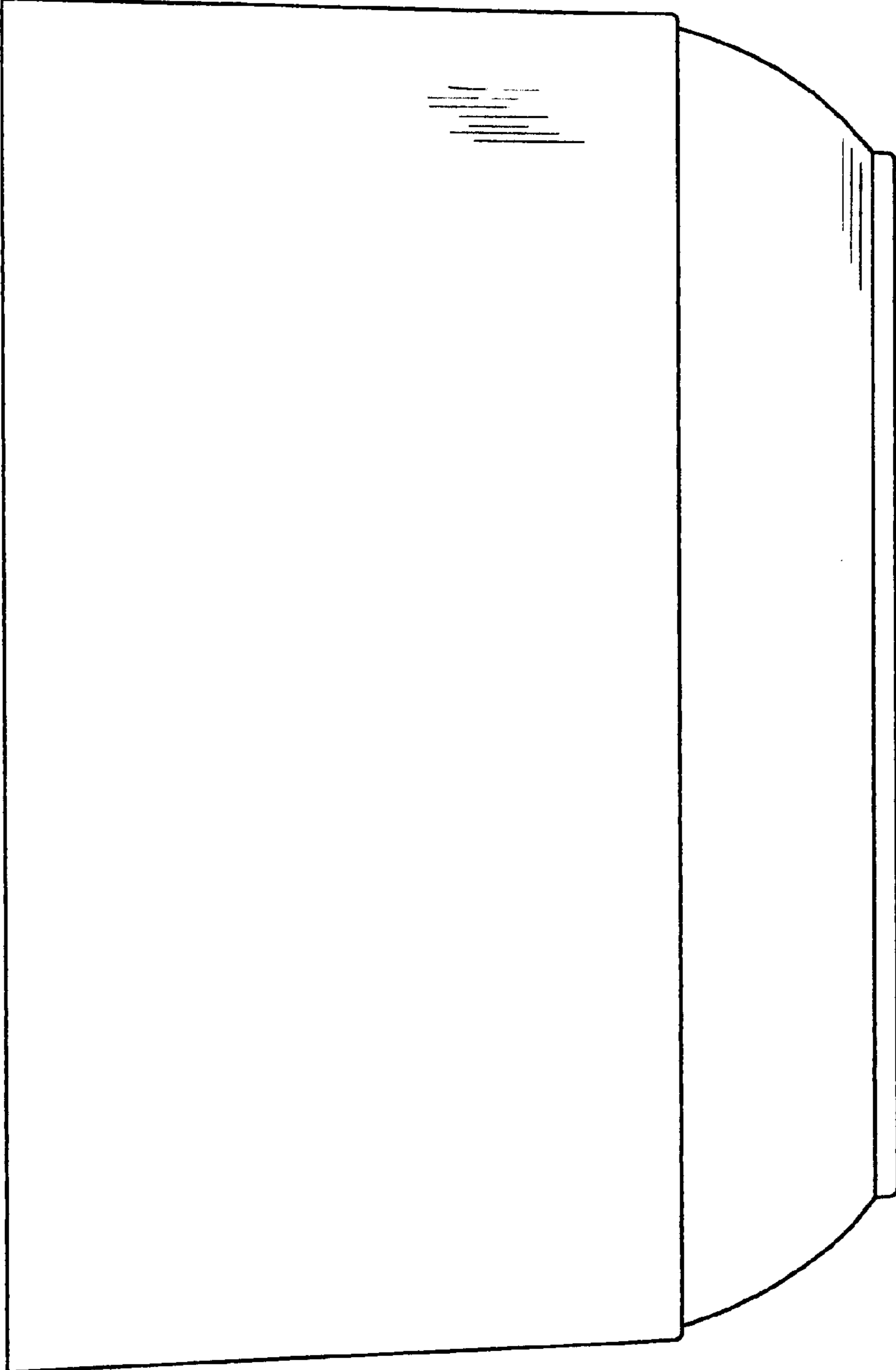


Figure 4

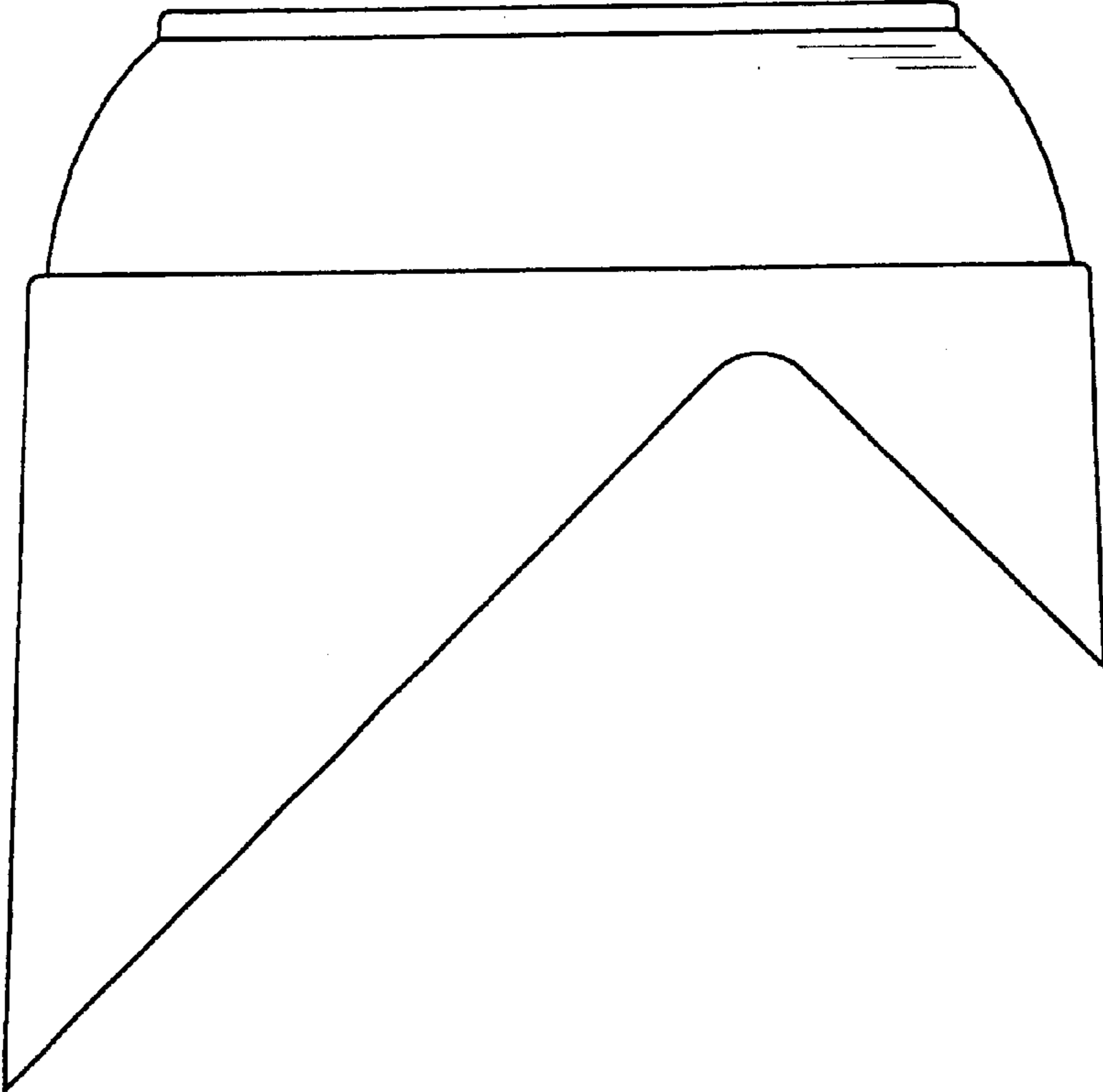


Figure 5

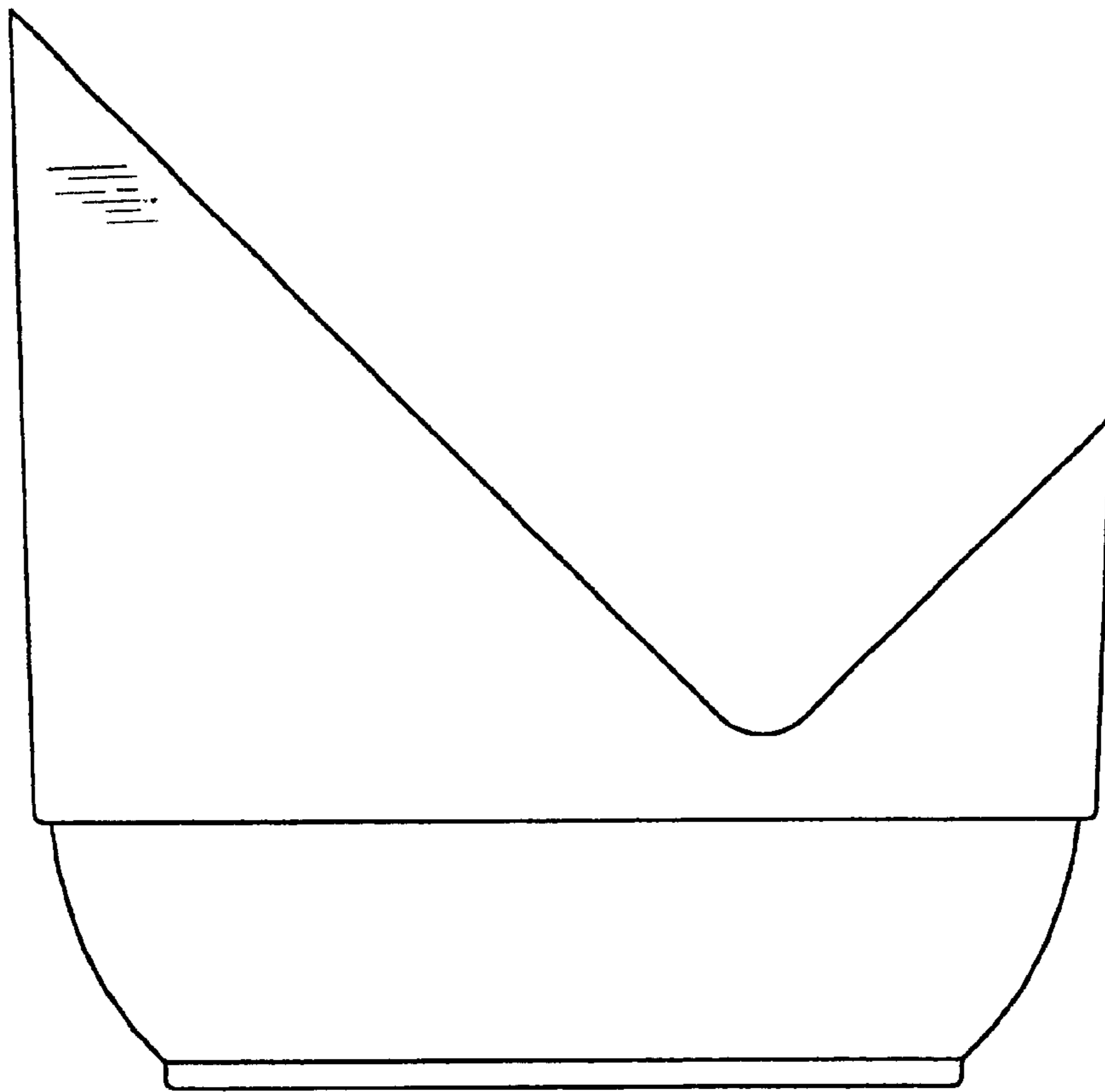


Figure 6