



US00D509003S

(12) **United States Design Patent**
Stubbersfield

(10) **Patent No.:** **US D509,003 S**

(45) **Date of Patent:** **** Aug. 30, 2005**

(54) **BOARD**

D418,926 S * 1/2000 Owens et al. D25/138
D455,844 S * 4/2002 Dyck D25/121

(76) **Inventor:** **Edgar Malcom Stubbersfield**, 33 Lake
Apex Drive, Gatton (AU), 4343

FOREIGN PATENT DOCUMENTS

(**) **Term:** **14 Years**

WO WO 9401632 1/1994

(21) **Appl. No.:** **29/195,905**

* cited by examiner

(22) **Filed:** **Dec. 19, 2003**

Primary Examiner—Doris Clark
(74) *Attorney, Agent, or Firm*—Shoemaker and Mattare

(30) **Foreign Application Priority Data**

(57) **CLAIM**

Jun. 23, 2003 (AU) 2106/03

The ornamental design for a board, as shown and described.

(51) **LOC (8) Cl.** **25-01**

DESCRIPTION

(52) **U.S. Cl.** **D25/121**

(58) **Field of Search** D25/121, 138;
52/87

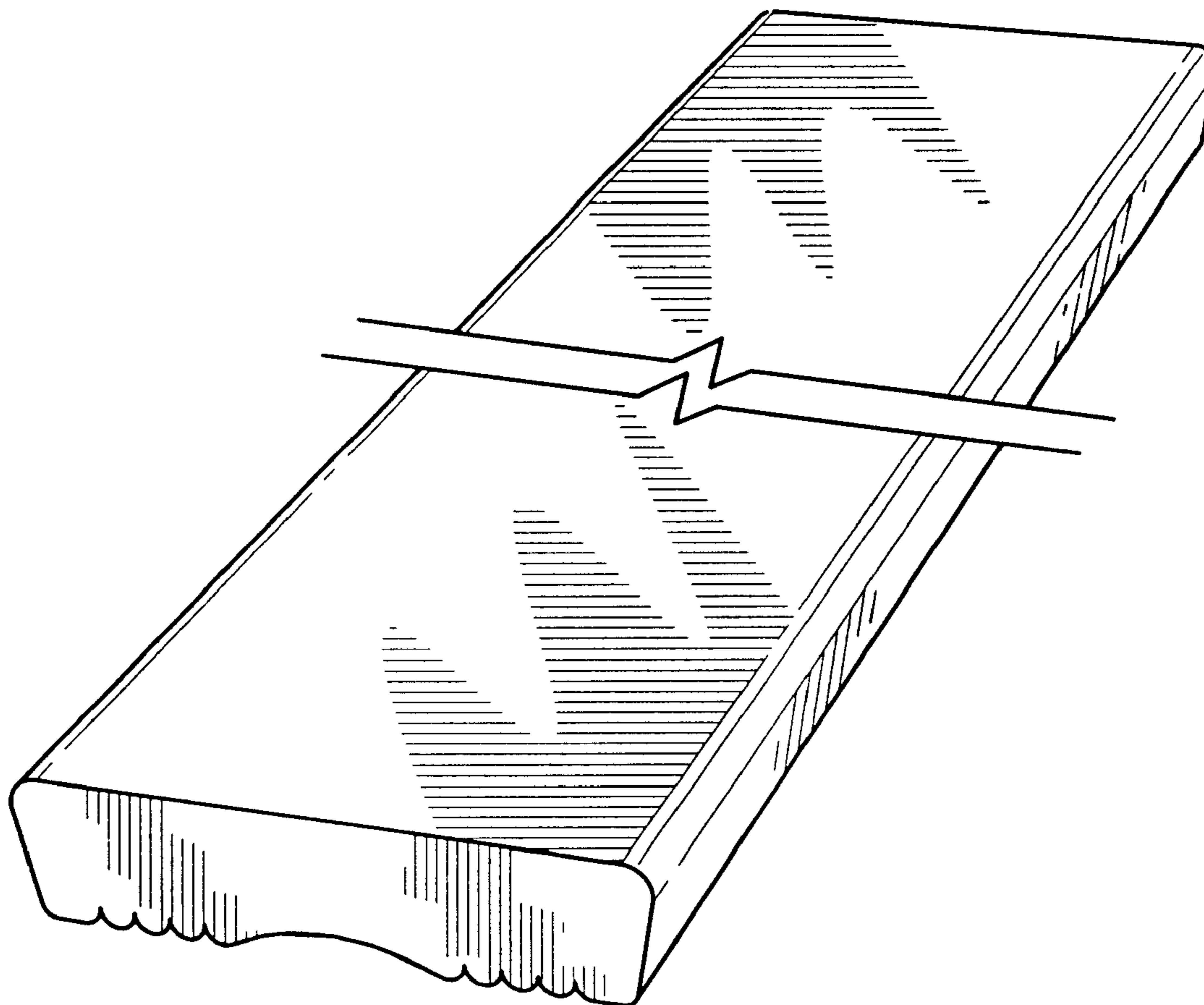
FIG. 1 is an end view of a board, showing my new design;
FIG. 2 is a perspective view thereof, from above, broken to
show indeterminate length; and,
FIG. 3 is a perspective view thereof, from below, broken to
show indeterminate length.

(56) **References Cited**

U.S. PATENT DOCUMENTS

5,274,977 A * 1/1994 Bayly 52/480

1 Claim, 1 Drawing Sheet



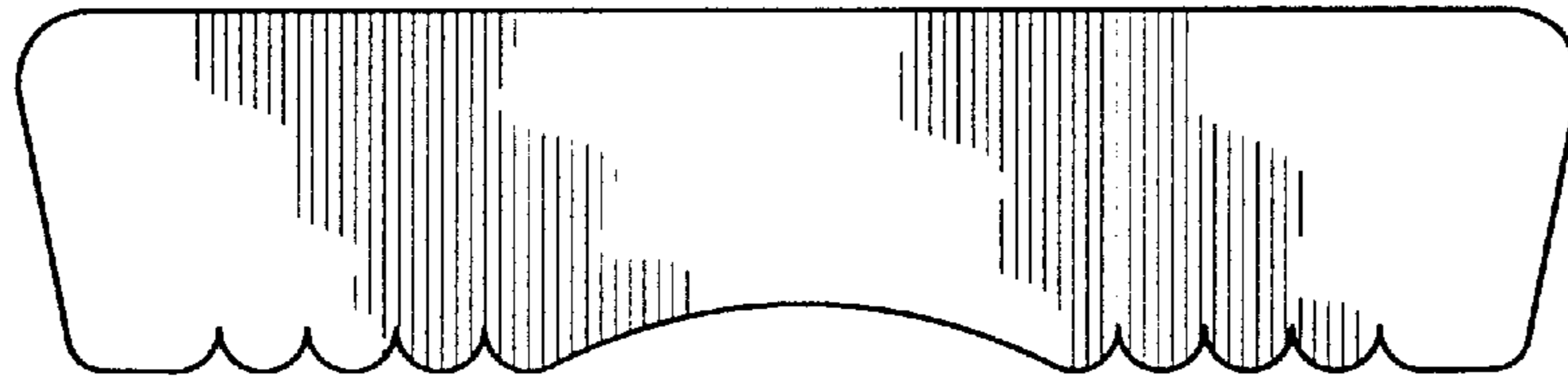


FIG. 1

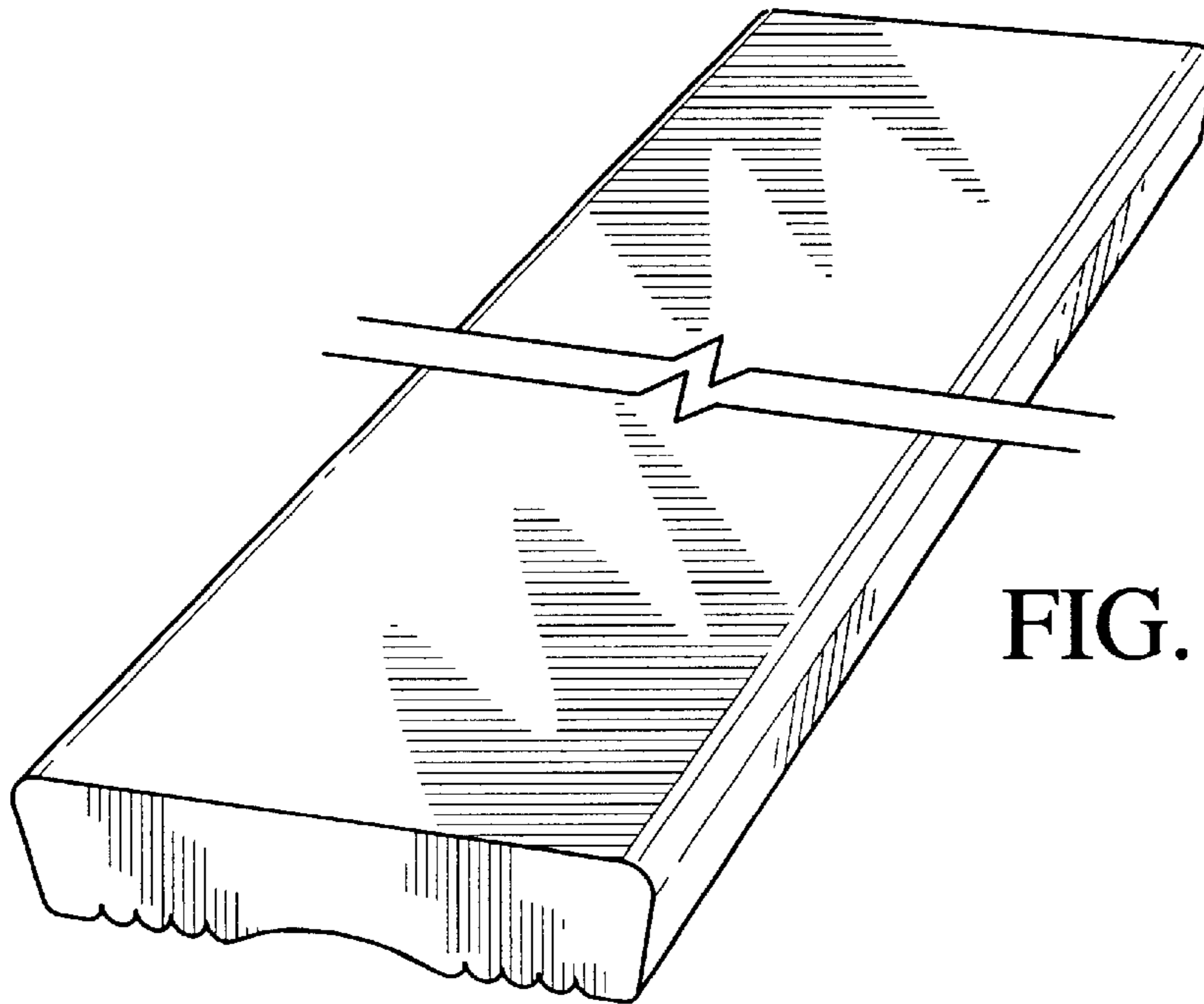


FIG. 2

FIG. 3

