



US00D509001S

(12) **United States Design Patent**
McLean

(10) **Patent No.:** **US D509,001 S**

(45) **Date of Patent:** **** Aug. 30, 2005**

(54) **PERMEABLE PAVING STONE**

(76) **Inventor:** **Allan McLean**, 44 Pipers Pond,
Bluffton, SC (US) 29910

(**) **Term:** **14 Years**

(21) **Appl. No.:** **29/205,523**

(22) **Filed:** **May 17, 2004**

(51) **LOC (8) Cl.** **25-01**

(52) **U.S. Cl.** **D25/113**

(58) **Field of Search** D25/112-118,
D25/164, 199; D21/483-486, 499-500;
404/17, 19-20, 27-31, 34-42; 52/102, 596,
574, 612, 603-609

(56) **References Cited**

U.S. PATENT DOCUMENTS

3,870,423 A	3/1975	Peitz, Jr.	
4,172,168 A	10/1979	Klaffke et al.	
4,370,075 A	1/1983	Scales	
4,583,341 A	4/1986	Barth et al.	
5,201,602 A	4/1993	Repasky	
5,348,417 A	9/1994	Scheiwiller	
5,409,325 A	4/1995	Wu	
5,484,230 A	1/1996	Rudloff	
5,496,129 A	3/1996	Dube	
5,645,369 A	7/1997	Geiger	
5,779,391 A	* 7/1998	Knight	405/20
5,787,666 A	8/1998	Sherry	
5,797,698 A	8/1998	Barth et al.	
6,055,784 A	5/2000	Geiger	
6,073,411 A	6/2000	Ciccarello	
D431,305 S	9/2000	Barth et al.	
D439,677 S	3/2001	Mattox	

6,536,988 B2	3/2003	Geiger	
2001/0033770 A1	10/2001	Schmitz	
2001/0033771 A1	10/2001	Schmitz	
2003/0007834 A1	1/2003	Bolduc et al.	
2003/0188505 A1	* 10/2003	Marshall	52/606

* cited by examiner

Primary Examiner—Robert A Delehanty
(74) *Attorney, Agent, or Firm*—Myers & Kaplan, LLC;
Thomas R. Williamson, III; Joel D. Myers

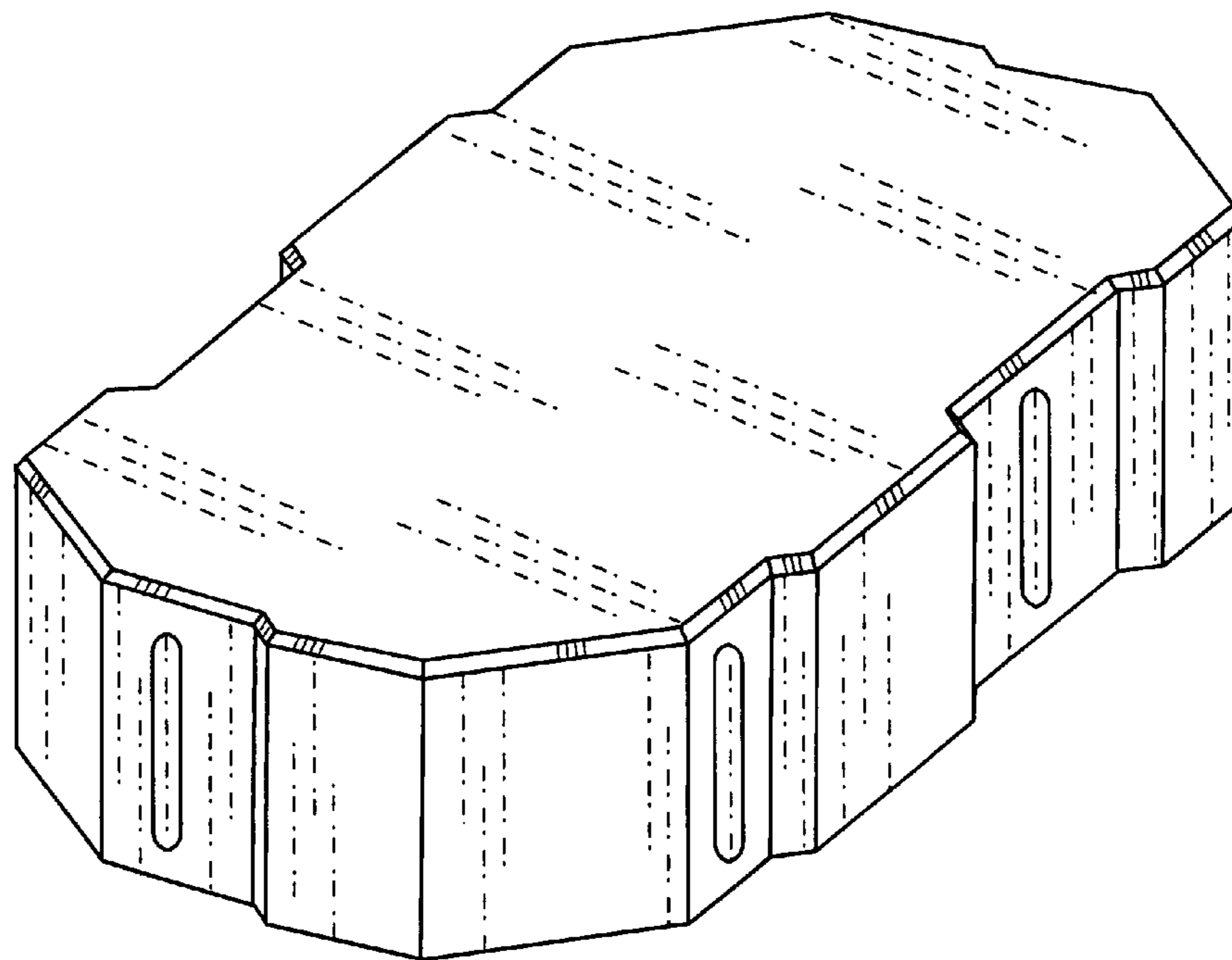
(57) **CLAIM**

The ornamental design for a permeable paving stone, as shown and described.

DESCRIPTION

FIG. 1 is a top view of a permeable paving stone according to a preferred embodiment of the present invention; FIG. 2 is a bottom view of a permeable paving stone according to a preferred embodiment of the present invention; FIG. 3 is a right side view of a permeable paving stone according to a preferred embodiment of the present invention; FIG. 4 is a left side view of a permeable paving stone according to a preferred embodiment of the present invention; FIG. 5 is a front view of a permeable paving stone according to a preferred embodiment of the present invention; FIG. 6 is a rear view of a permeable paving stone according to a preferred embodiment of the present invention; and, FIG. 7 is a perspective view of a permeable paving stone according to a preferred embodiment of the present invention.

1 Claim, 4 Drawing Sheets



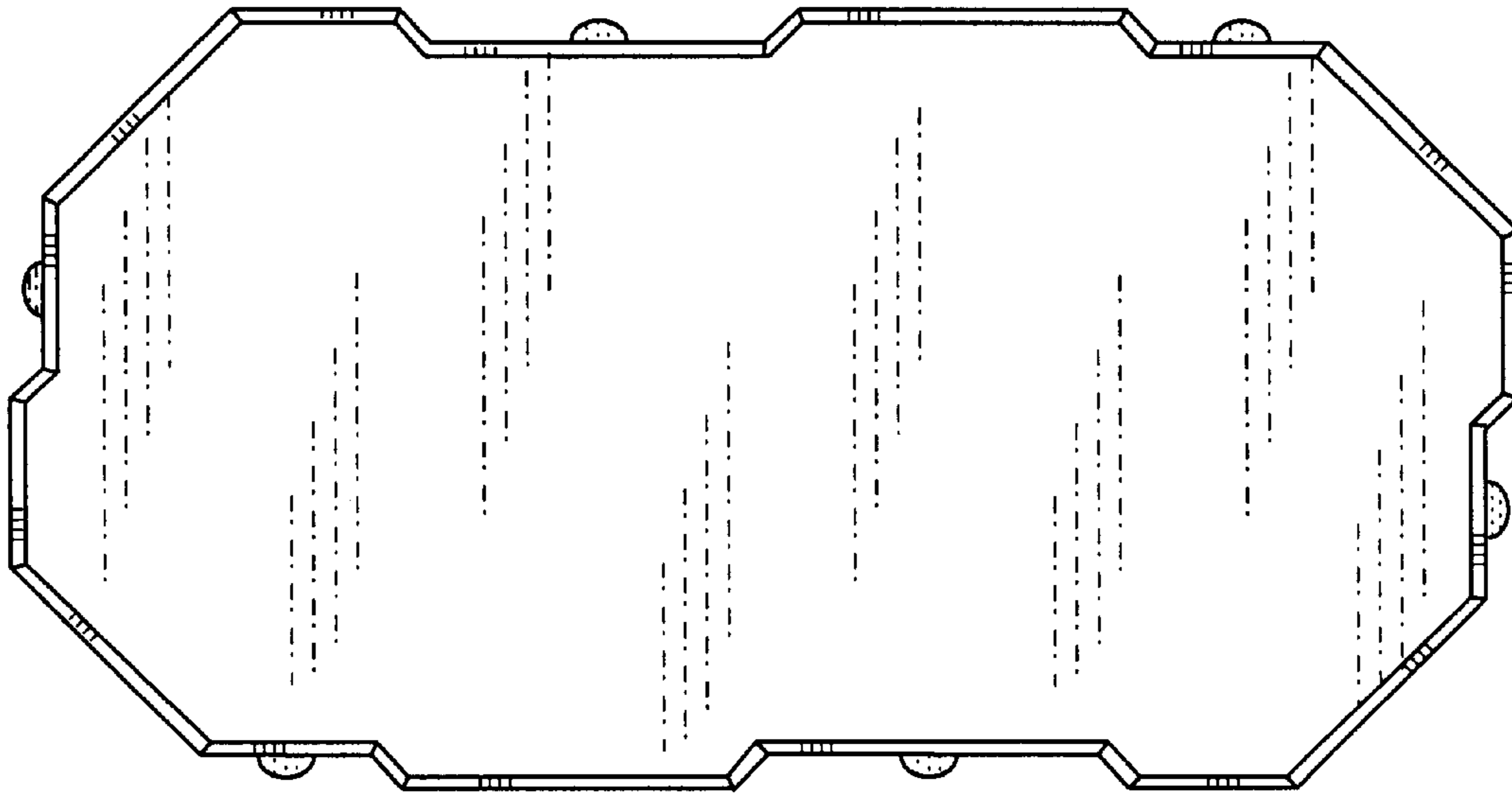


FIG. 1

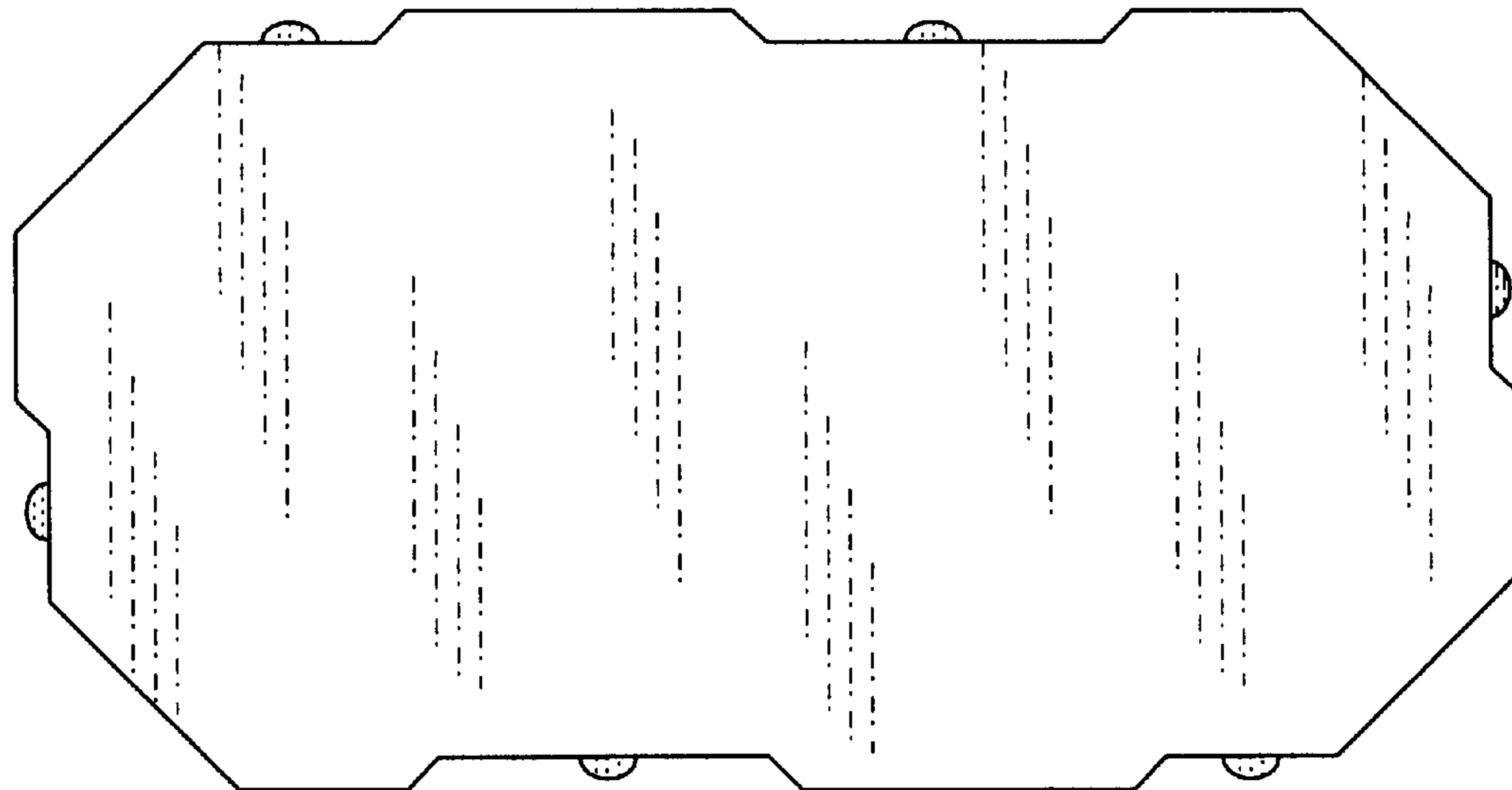


FIG. 2

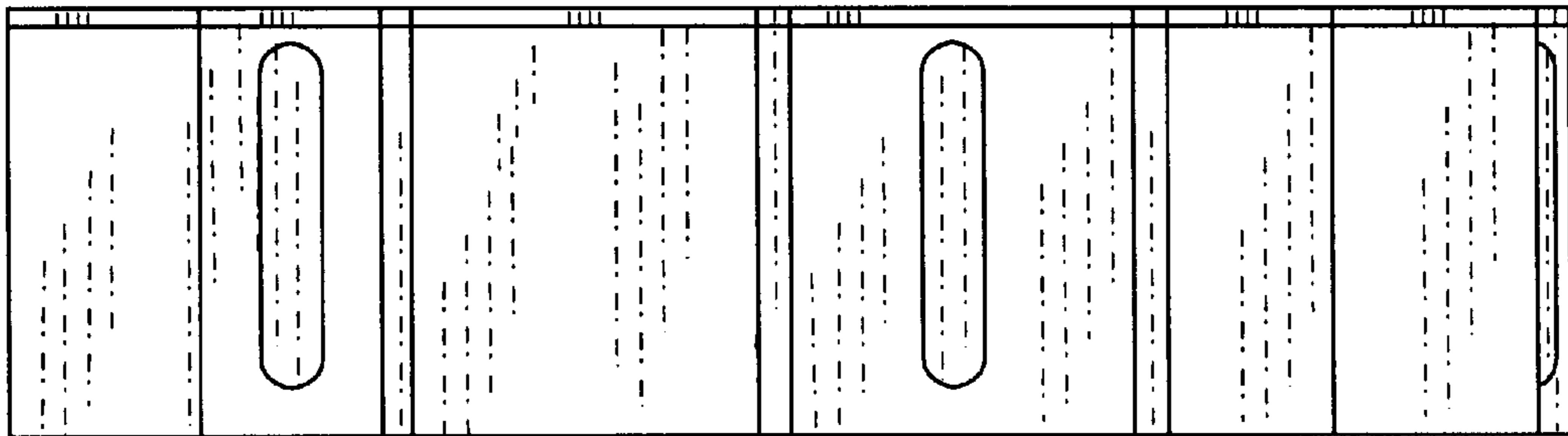


FIG. 3

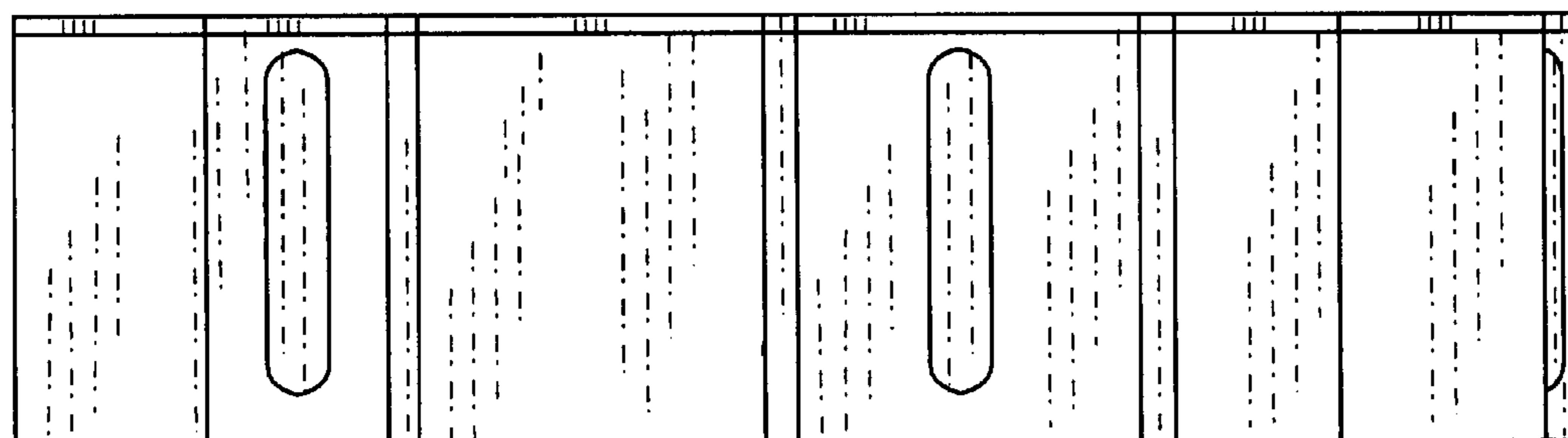


FIG. 4

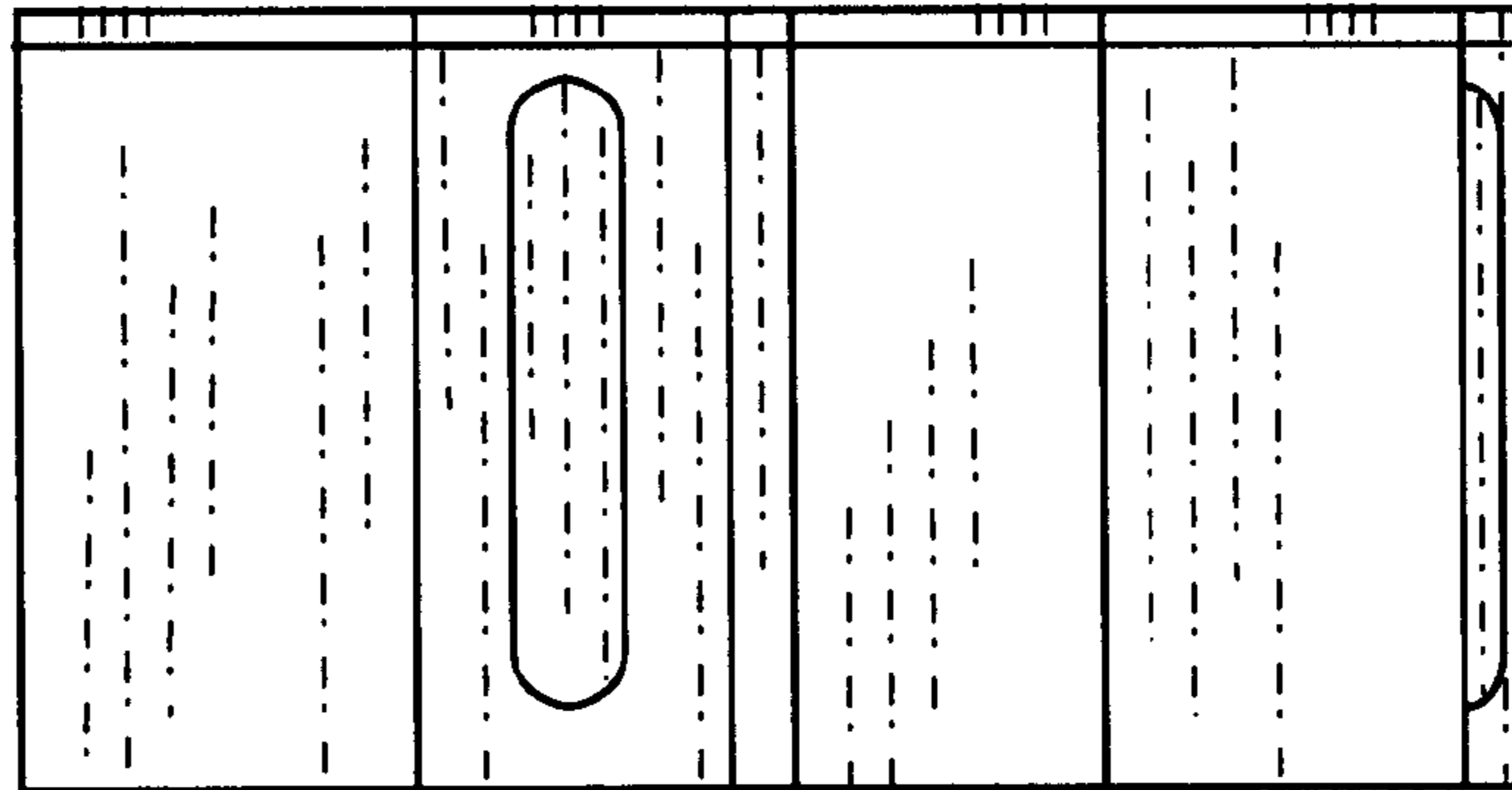


FIG. 5

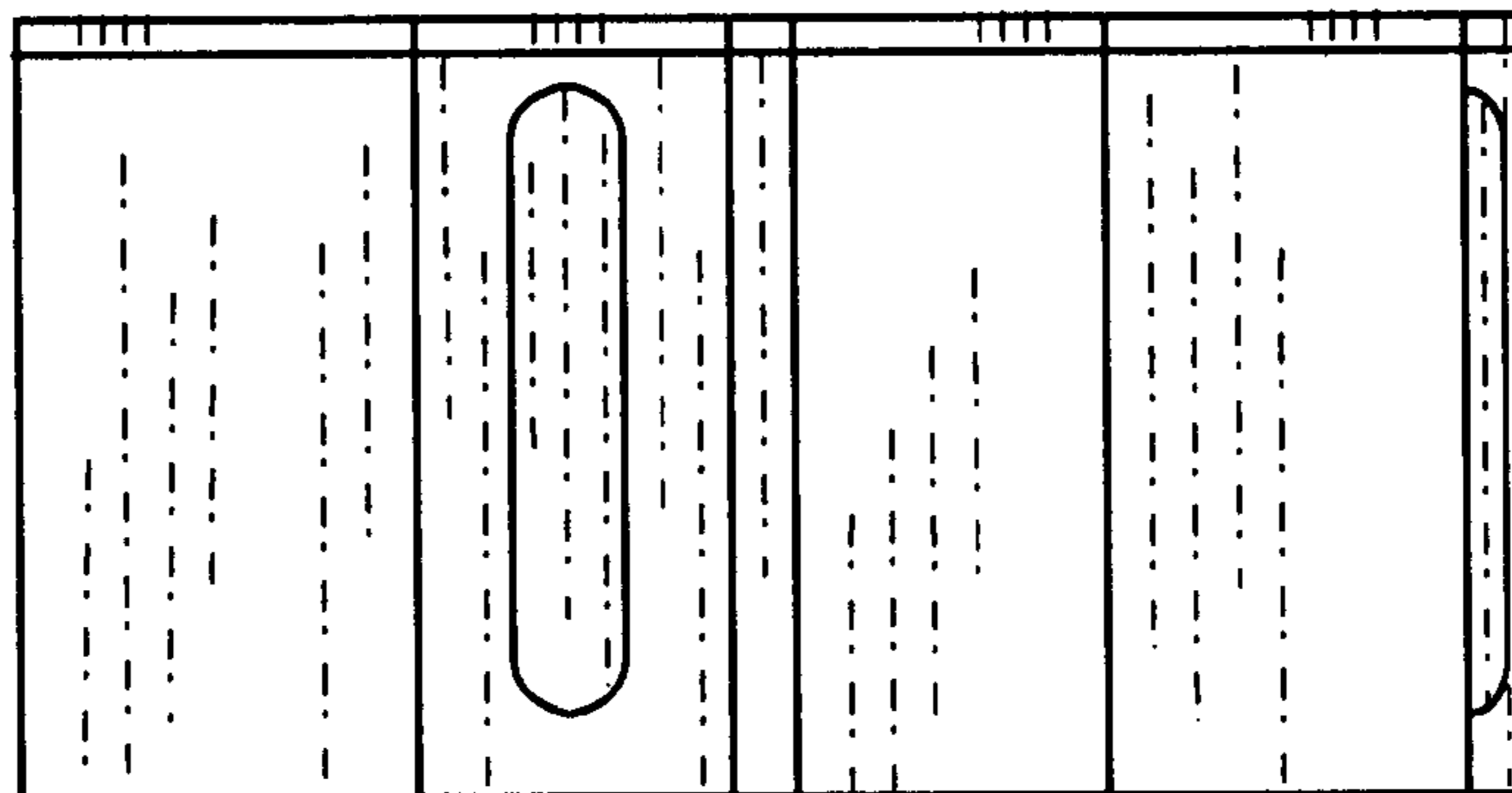


FIG. 6

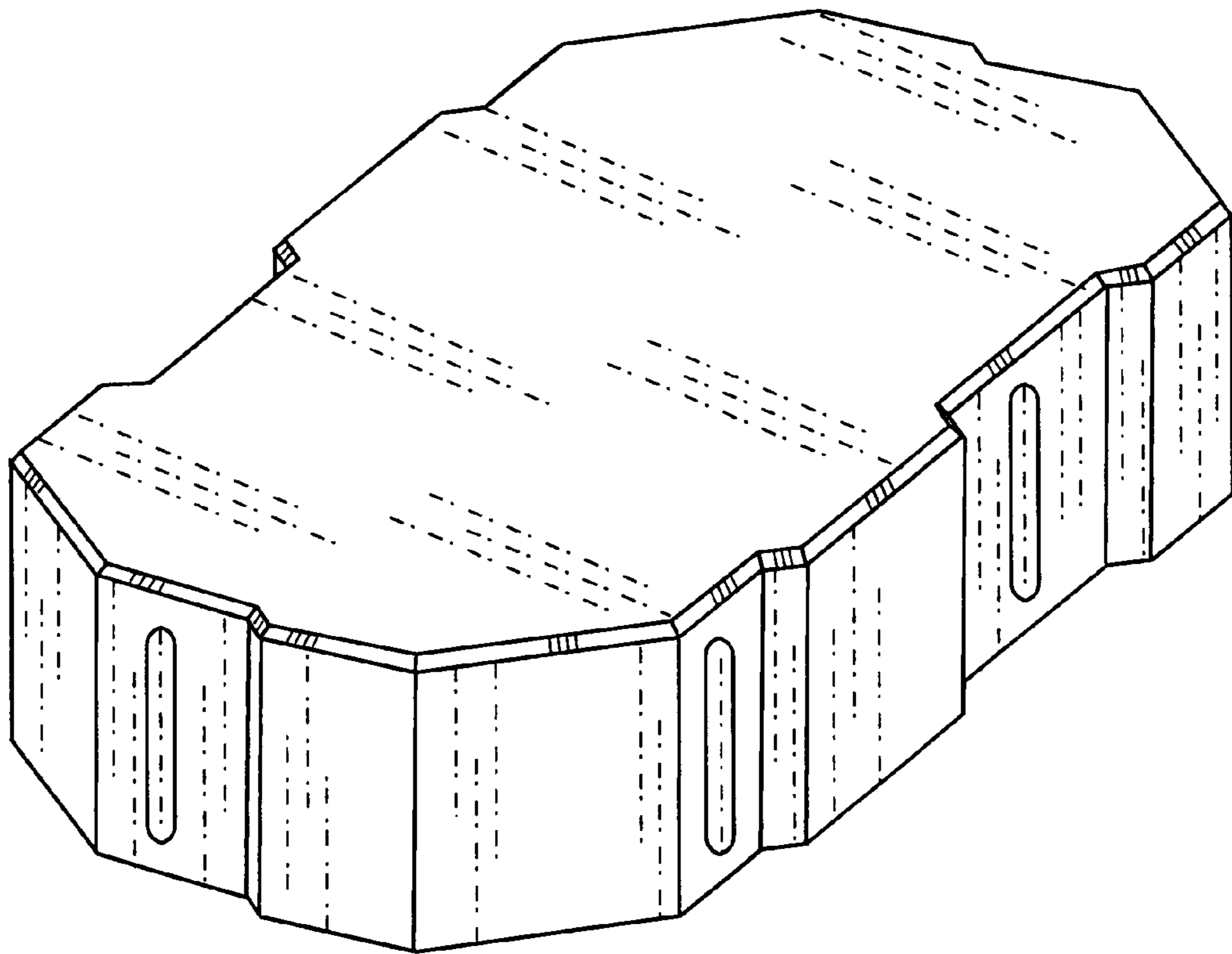


FIG. 7