

US00D508999S

(12) **United States Design Patent** (10) **Patent No.:** **US D508,999 S**
Fanning et al. (45) **Date of Patent:** **** Aug. 30, 2005**

(54) **SAMPLE TESTING MACHINE**

(56) **References Cited**

(75) Inventors: **Mark Fanning**, Florissant, MO (US);
Dennis Sandstedt, Chesterfield, MO (US);
Dave Pincus, Chesterfield, MO (US);
Carla Cooper, St. Peters, MO (US);
Ray Shelton, St. Charles, MO (US);
Judy Lowe, St. Peters, MO (US);
Cynthia Somogye, Chesterfield, MO (US);
Shelly Duboeuf, Defiance, MO (US);
Richard Fauser, St. Charles, MO (US);
Laurie Kish, O'Fallon, MO (US);
David Shine, St. Louis, MO (US);
Doug Hopper, Maryville, IL (US);
Ross Blanton, Hazelwood, MO (US);
Nancy Moss, St. Charles, MO (US);
Michael Gallagher, St. Charles, MO (US)

U.S. PATENT DOCUMENTS

D377,455 S * 1/1997 Burchard et al. D24/232
D424,956 S * 5/2000 von Buelow et al. D10/81
D467,349 S * 12/2002 Niedbala et al. D24/232
D474,279 S * 5/2003 Mayer et al. D24/232
D482,796 S * 11/2003 Oyama et al. D24/232
2003/0153844 A1 * 8/2003 Smith et al. 600/573

* cited by examiner

Primary Examiner—Ian Simmons

(74) *Attorney, Agent, or Firm*—Samir R. Patel

(57) **CLAIM**

The ornamental design for a sample testing machine, as shown and described.

DESCRIPTION

The sample testing machine is intended for testing samples stored in test cards.

FIG. 1 is a perspective view of the design;

FIG. 2 is a front elevational view thereof;

FIG. 3 is a side elevational view of the machine as seen from the right hand side of the machine in FIG. 2;

FIG. 4 is a side elevational view of the machine as seen from the left hand side of the machine in FIG. 2; and,

FIG. 5 is a top plan view thereof.

The rear and bottom sides of the machine are not ornamented.

The phantom lines shown in the figures are for illustrative purposes only and form no part of the claimed design.

(73) Assignee: **bioMerieux, Inc.**, Durham, NC (US)

(**) Term: **14 Years**

(21) Appl. No.: **29/186,915**

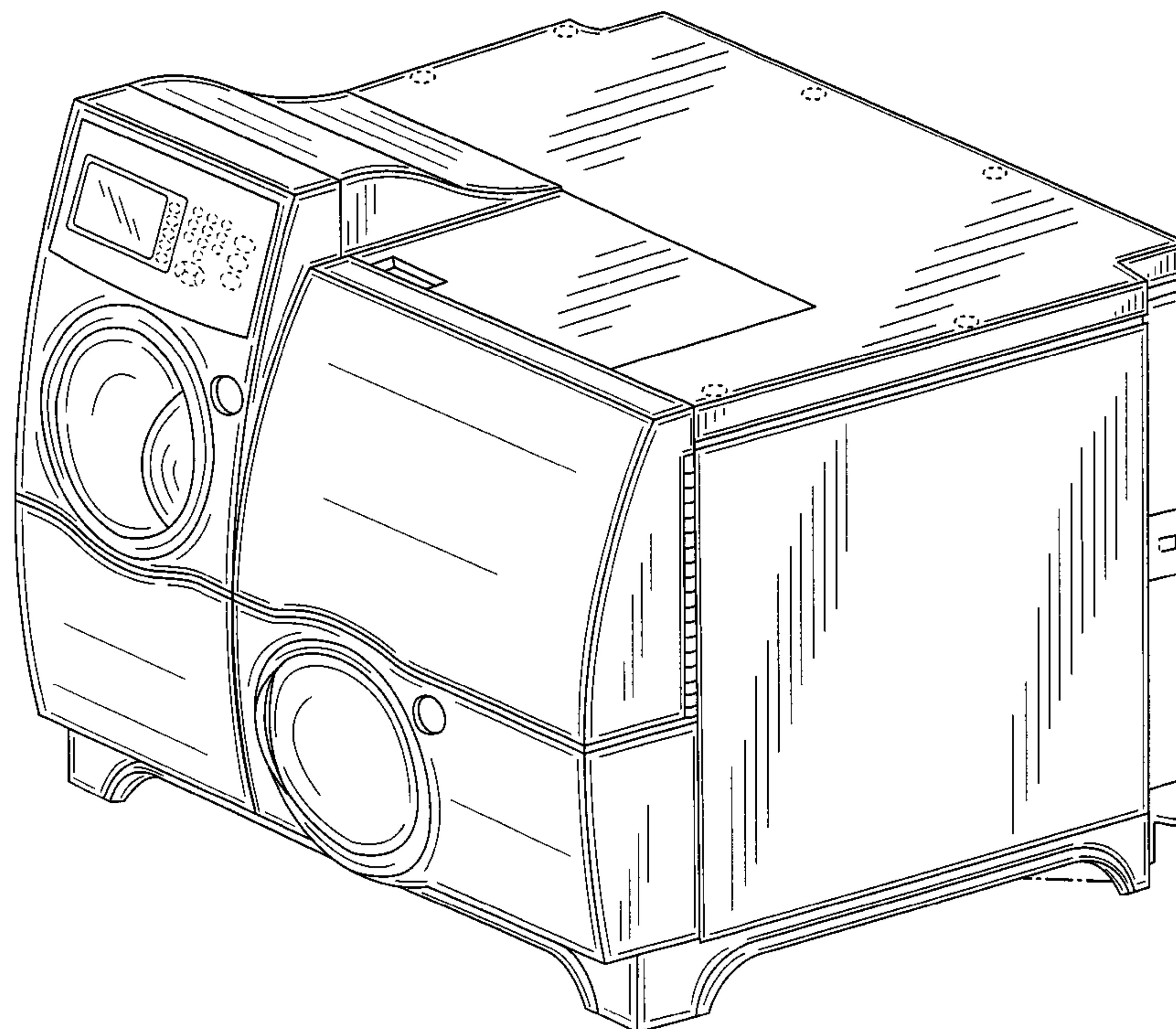
(22) Filed: **Jul. 24, 2003**

(51) **LOC (8) Cl.** **24-01**

(52) **U.S. Cl.** **D24/216; D10/81; D24/321; D24/232**

(58) **Field of Search** **D24/216, 231, D24/232, 167, 169, 185, 186; D10/81; 422/102, 68.1, 100, 67, 99, 62, 81, 63; 600/573**

1 Claim, 5 Drawing Sheets



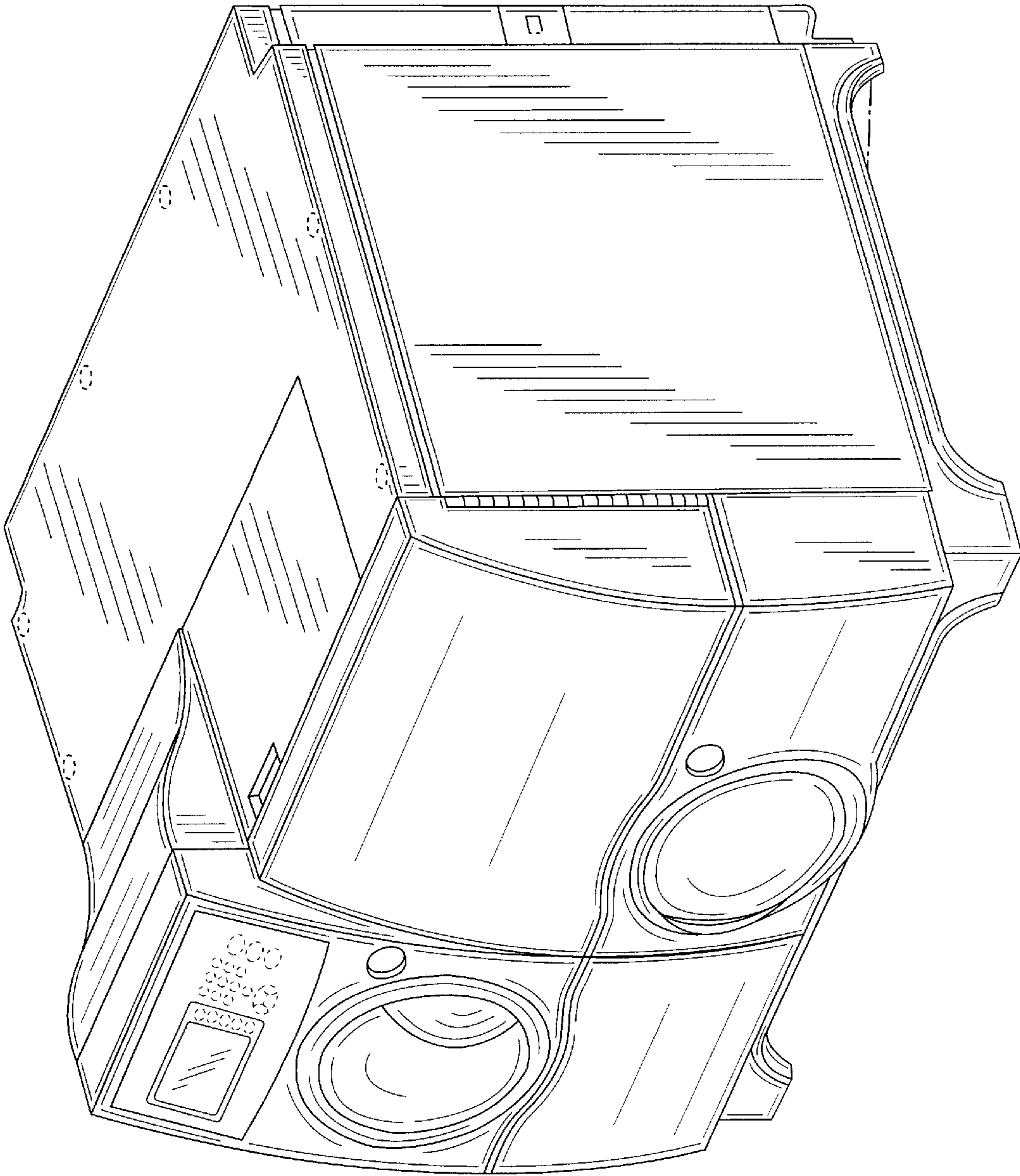


FIG. 1

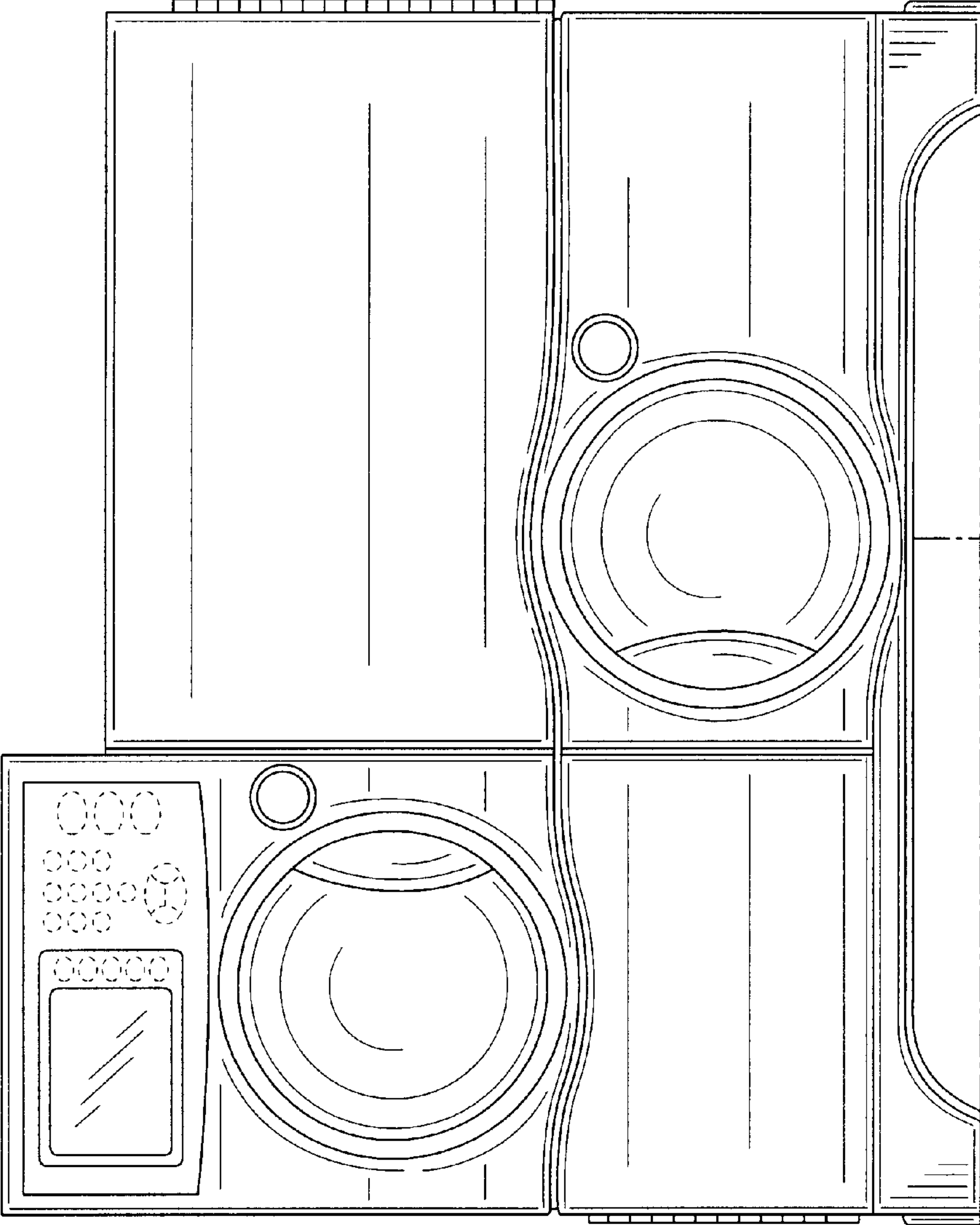


FIG. 2

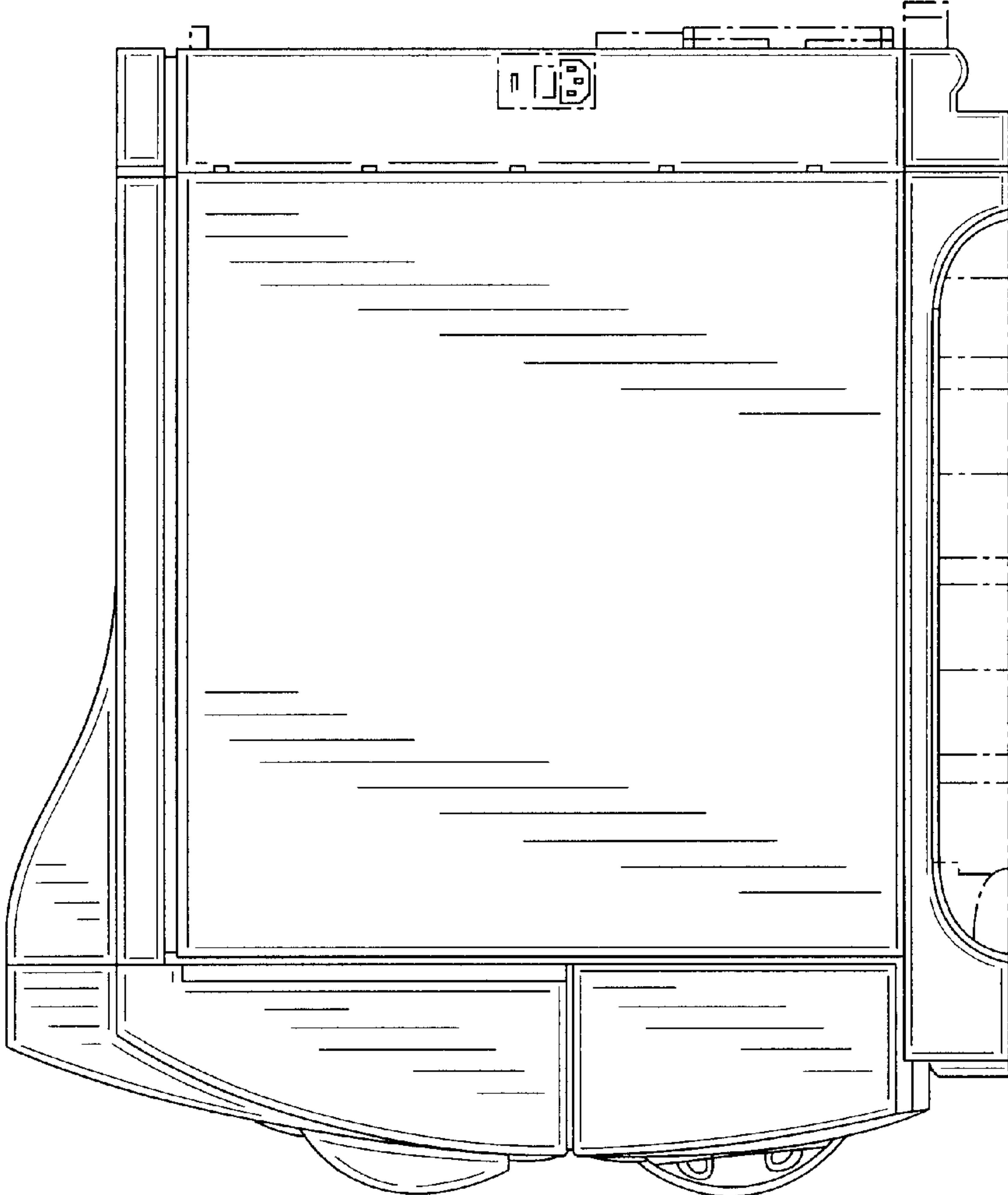


FIG. 3

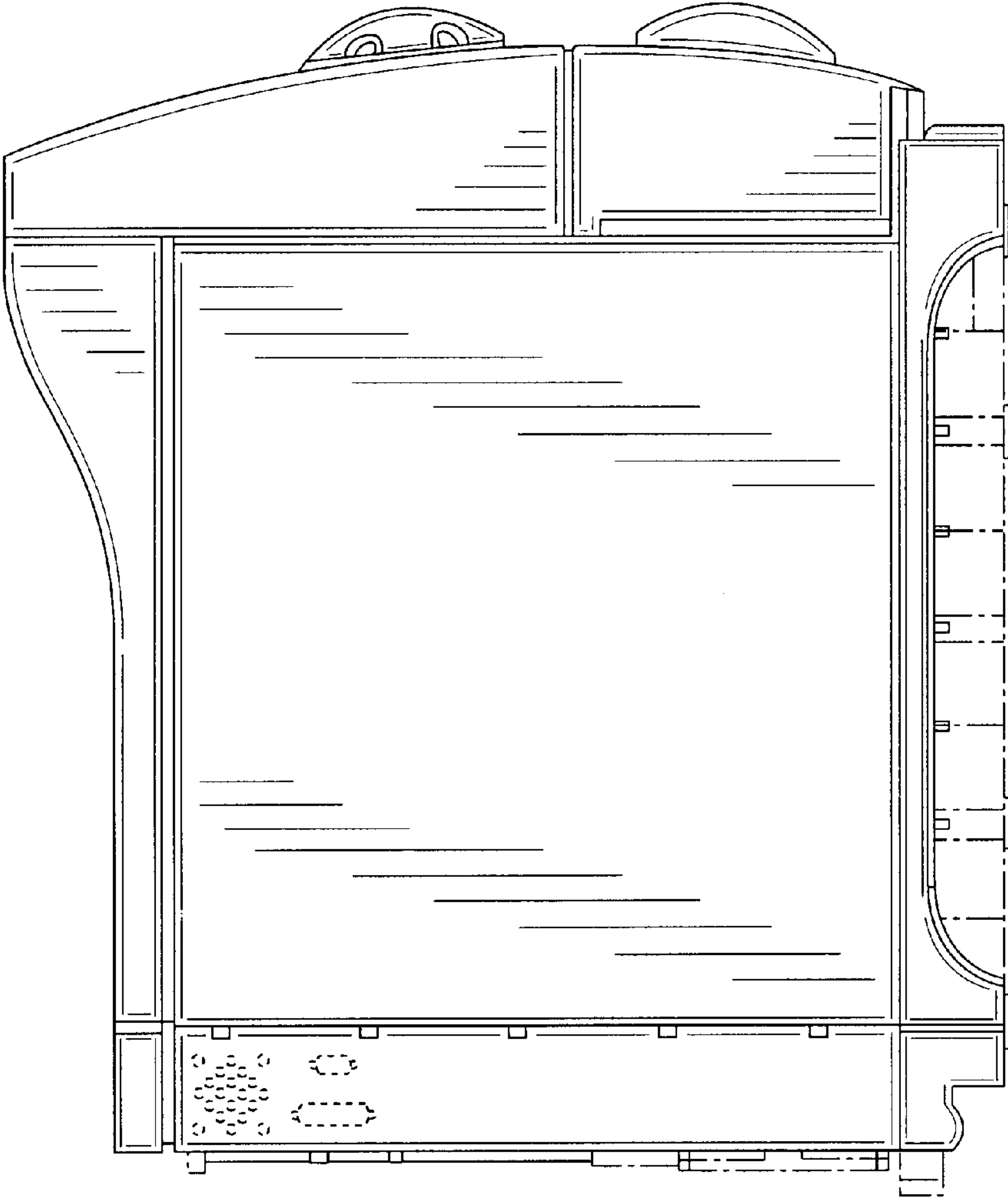


FIG. 4

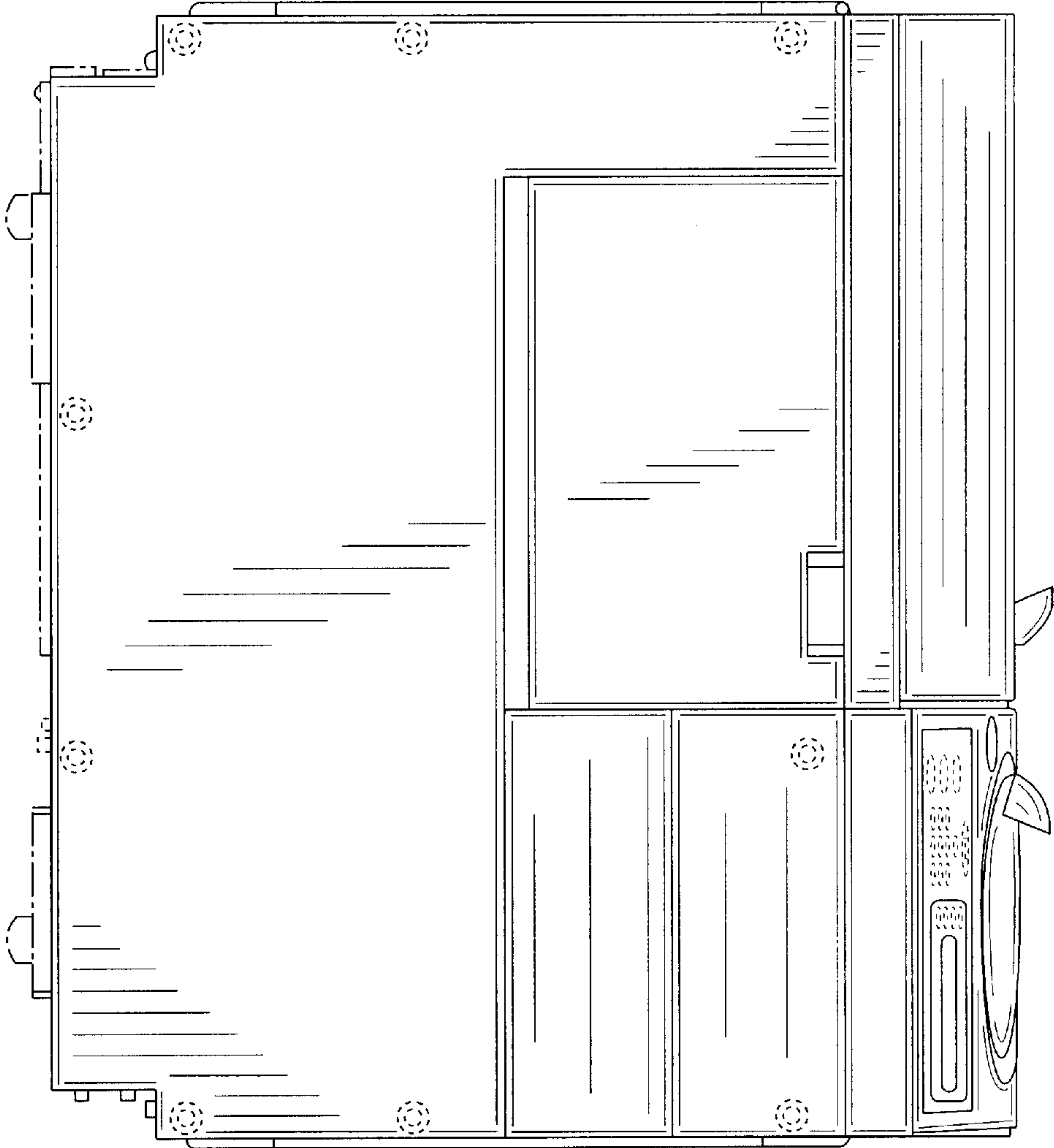


FIG. 5