

US00D508998S

(12) **United States Design Patent** (10) **Patent No.:** **US D508,998 S**  
**Ryan** (45) **Date of Patent:** **\*\* Aug. 30, 2005**

(54) **ELECTROTHERAPY AND/OR ULTRASOUND THERAPY PRODUCT CONSOLE**

(75) Inventor: **Bradley Peter Ryan, Sydney (AU)**

(73) Assignee: **Encore Medical Asset Corporation, Henderson, NV (US)**

(\*\*) Term: **14 Years**

(21) Appl. No.: **29/211,436**

(22) Filed: **Aug. 16, 2004**

**Related U.S. Application Data**

(62) Division of application No. 29/192,462, filed on Oct. 27, 2003.

(51) **LOC (8) Cl.** ..... **24-01**

(52) **U.S. Cl.** ..... **D24/200**

(58) **Field of Search** ..... D24/133, 144, D24/170, 200, 185, 186; 606/32

(56) **References Cited**

**U.S. PATENT DOCUMENTS**

D359,353 S	*	6/1995	Butter	.....	D24/144
D477,408 S	*	7/2003	Bromley	.....	D24/170
D489,816 S	*	5/2004	Ross	.....	D24/107

\* cited by examiner

*Primary Examiner*—Louis S. Zarfes

*Assistant Examiner*—John Windmuller

(74) *Attorney, Agent, or Firm*—Chambliss, Bahner & Stophel, P.C.

(57) **CLAIM**

The ornamental design for an electrotherapy and/or ultrasound therapy product console, as shown and described.

**DESCRIPTION**

FIG. 1 is a perspective view of the first embodiment of the product console of my new design at a reduced scale.

FIG. 2 is a front view of the first embodiment of the product console of my new design.

FIG. 3 is a right side view of the first embodiment of the product console of my new design.

FIG. 4 is a left side view of the first embodiment of the product console of my new design.

FIG. 5 is a rear view of the first embodiment of the product console of my new design.

FIG. 6 is a top view of the first embodiment of the product console of my new design.

FIG. 7 is a bottom view of the first embodiment of the product console of my new design.

FIG. 8 is a perspective view of the second embodiment of the product console of my new design at a reduced scale.

FIG. 9 is a front view of the second embodiment of the product console of my new design.

FIG. 10 is a right side view of the second embodiment of the product console of my new design.

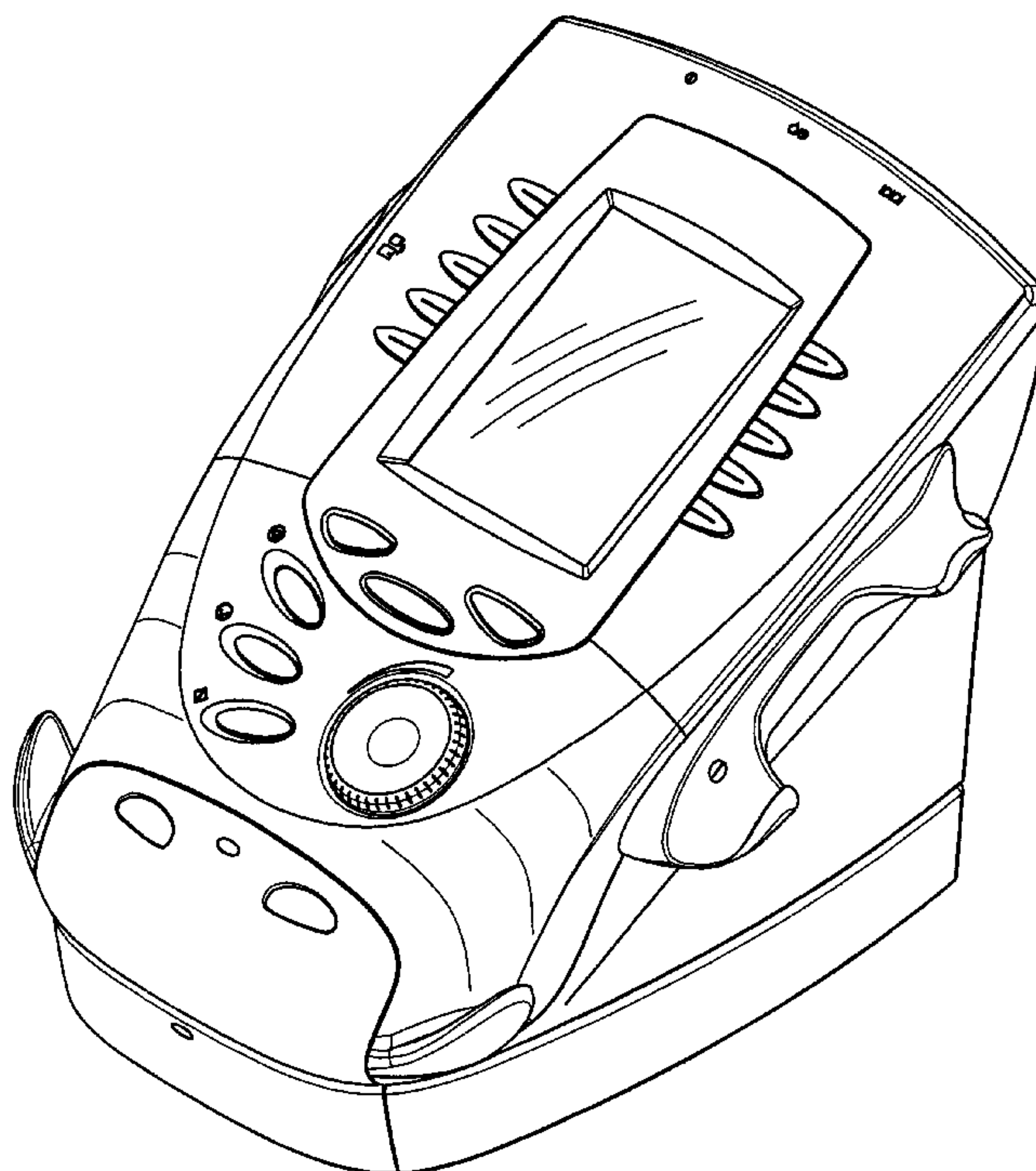
FIG. 11 is a left side view of the second embodiment of the product console of my new design.

FIG. 12 is a rear view of the second embodiment of the product console of my new design.

FIG. 13 is a top view of the second embodiment of the product console of my new design; and,

FIG. 14 is a bottom view of the second embodiment of the product console of my new design.

**1 Claim, 14 Drawing Sheets**



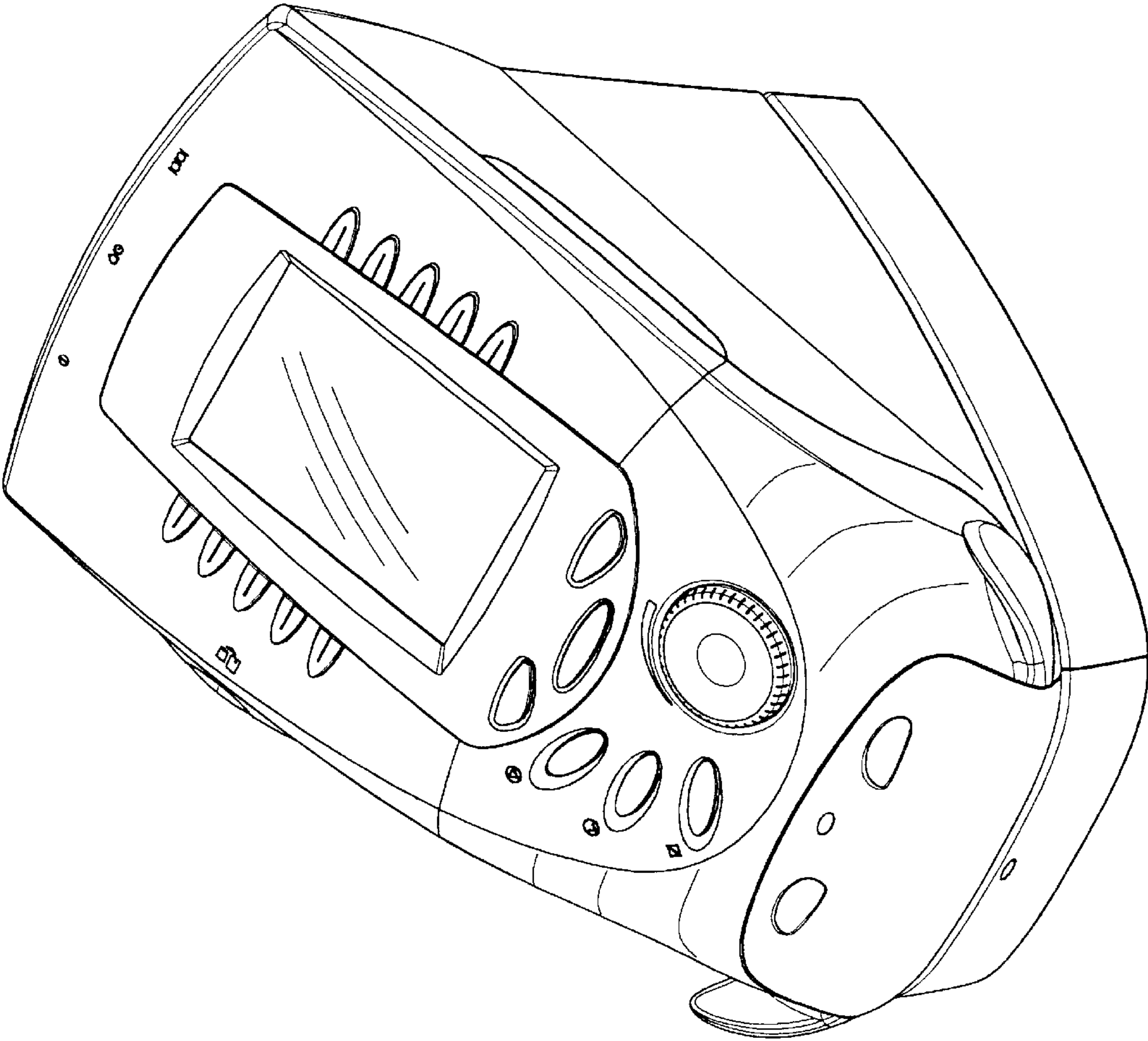


FIGURE 1

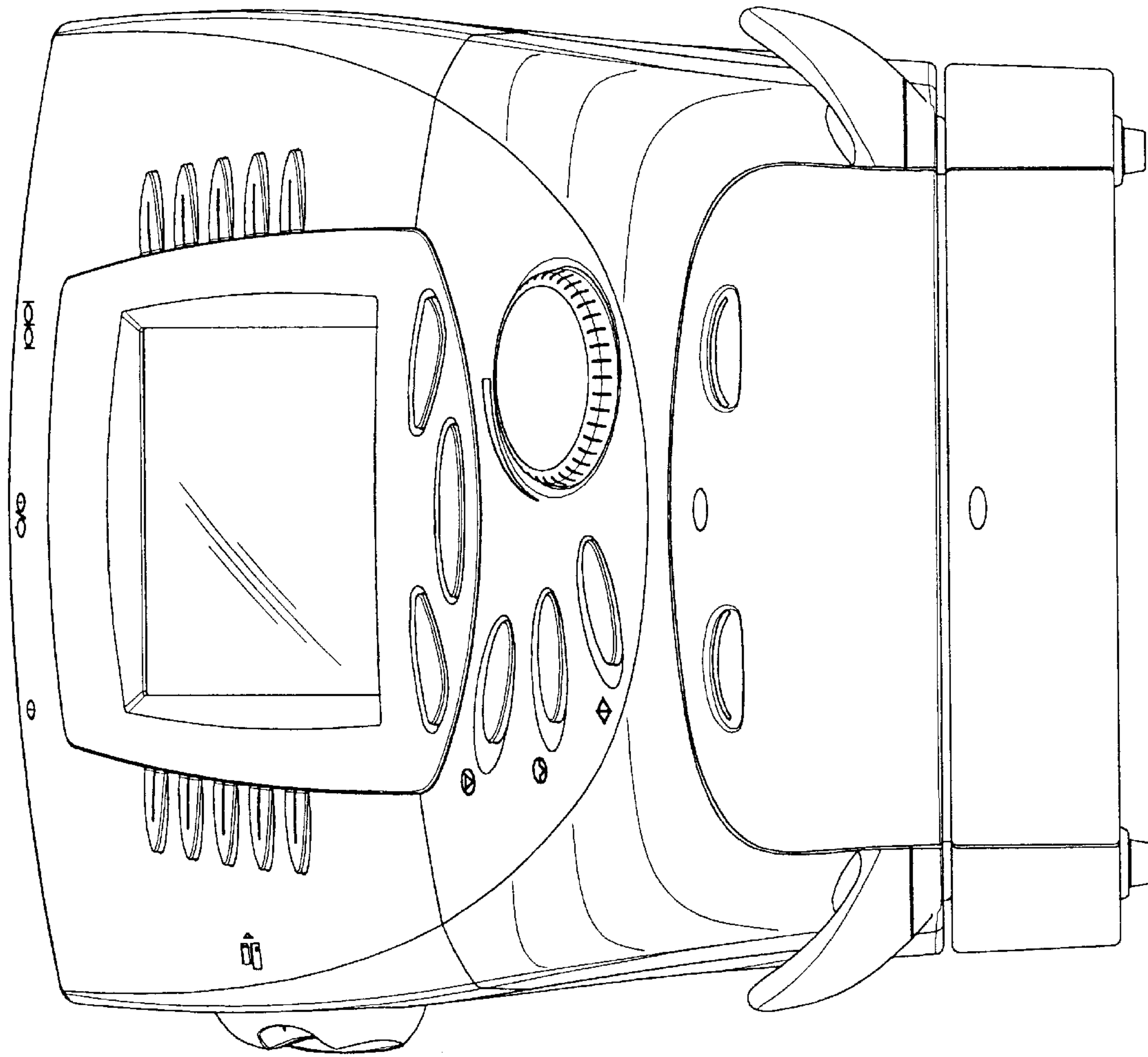


FIGURE 2

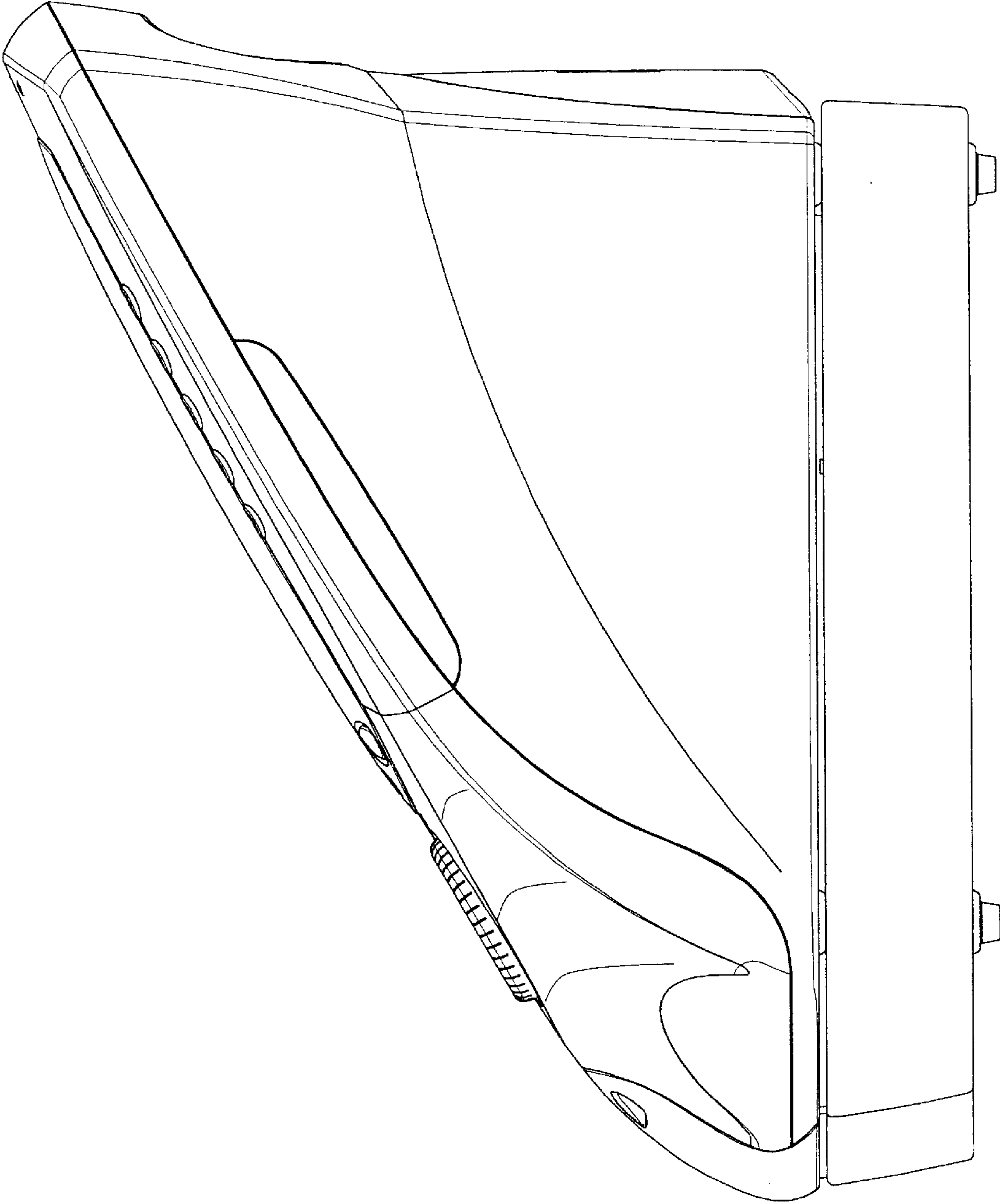


FIGURE 3



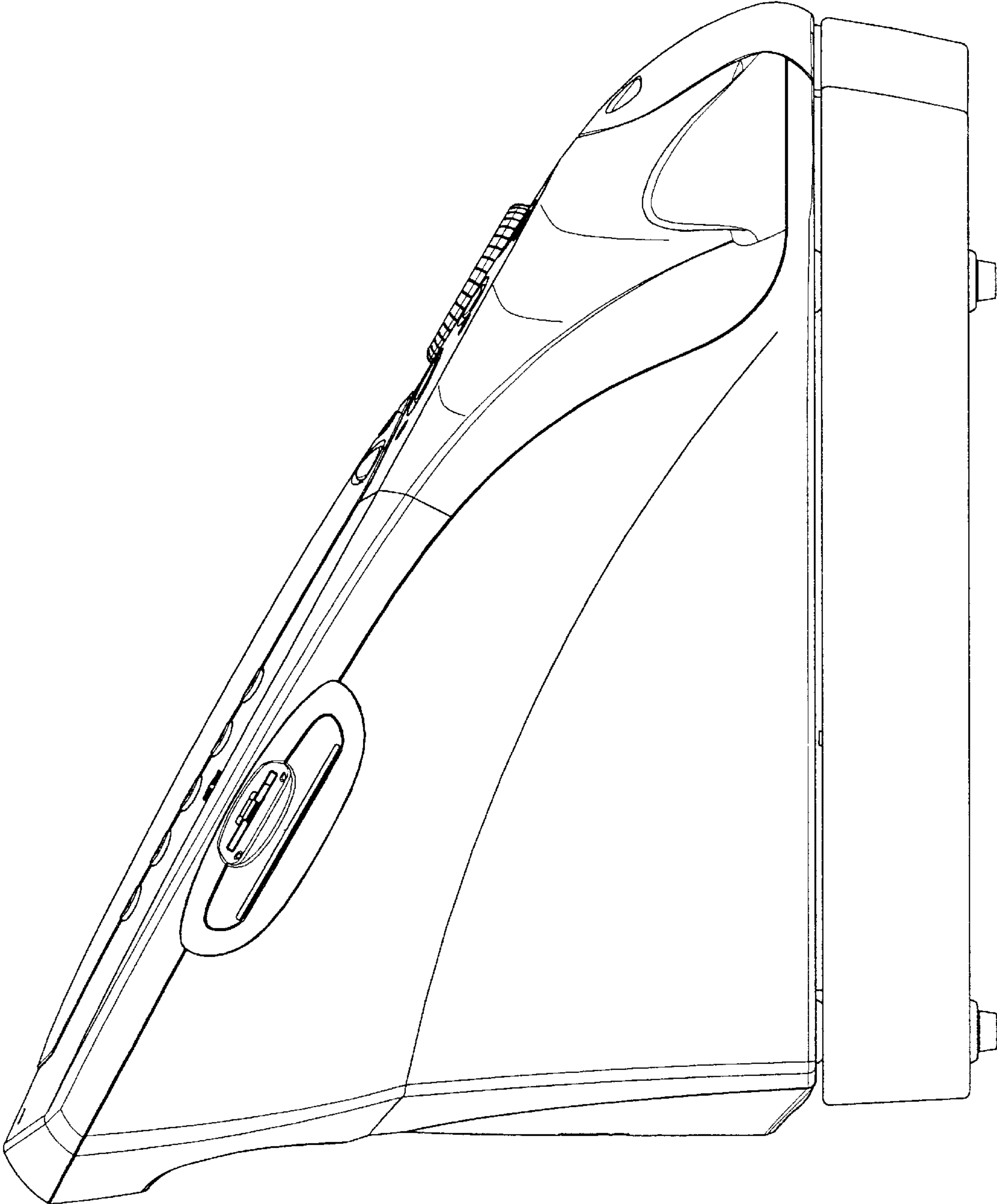


FIGURE 4

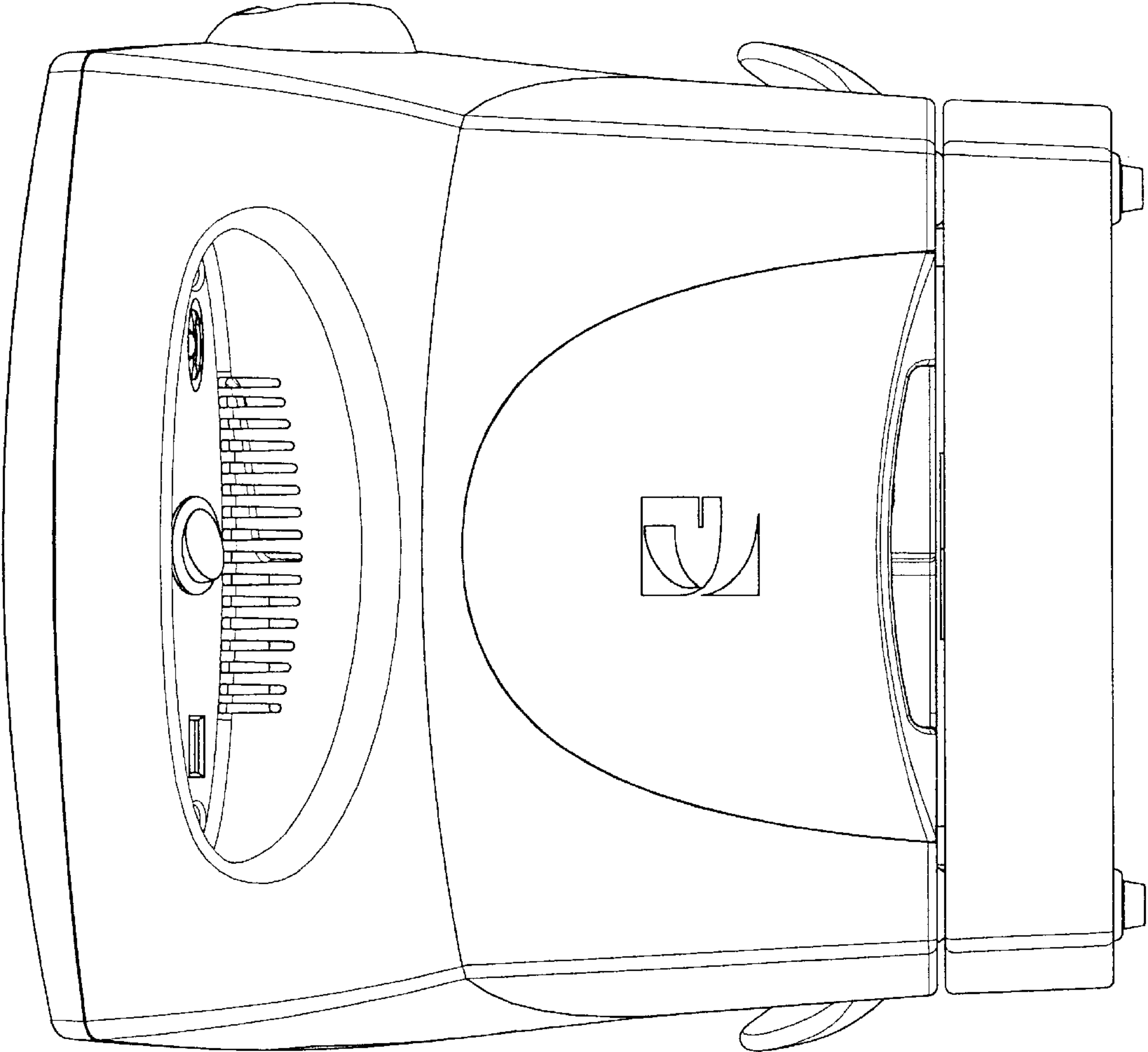


FIGURE 5

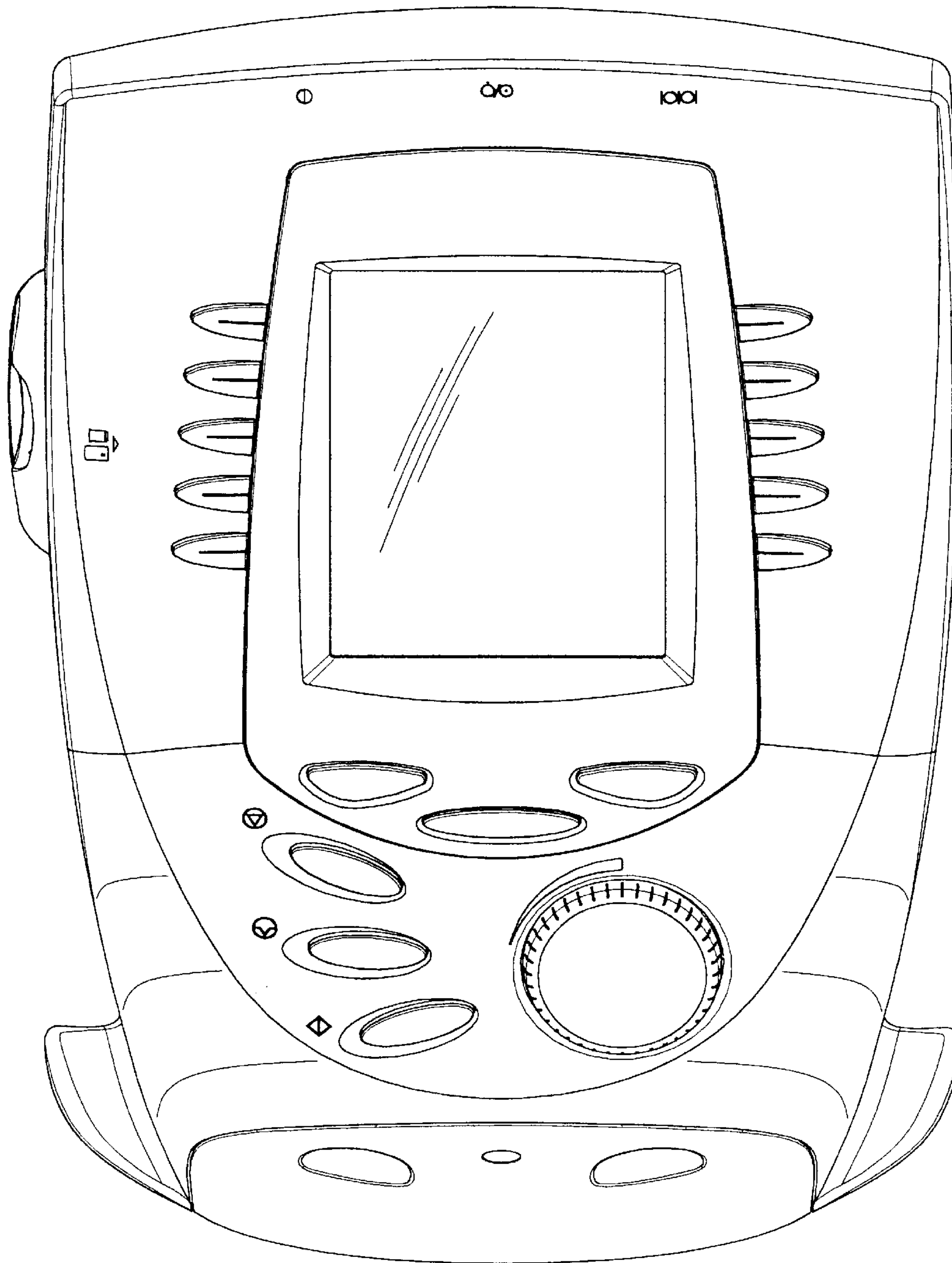


FIGURE 6

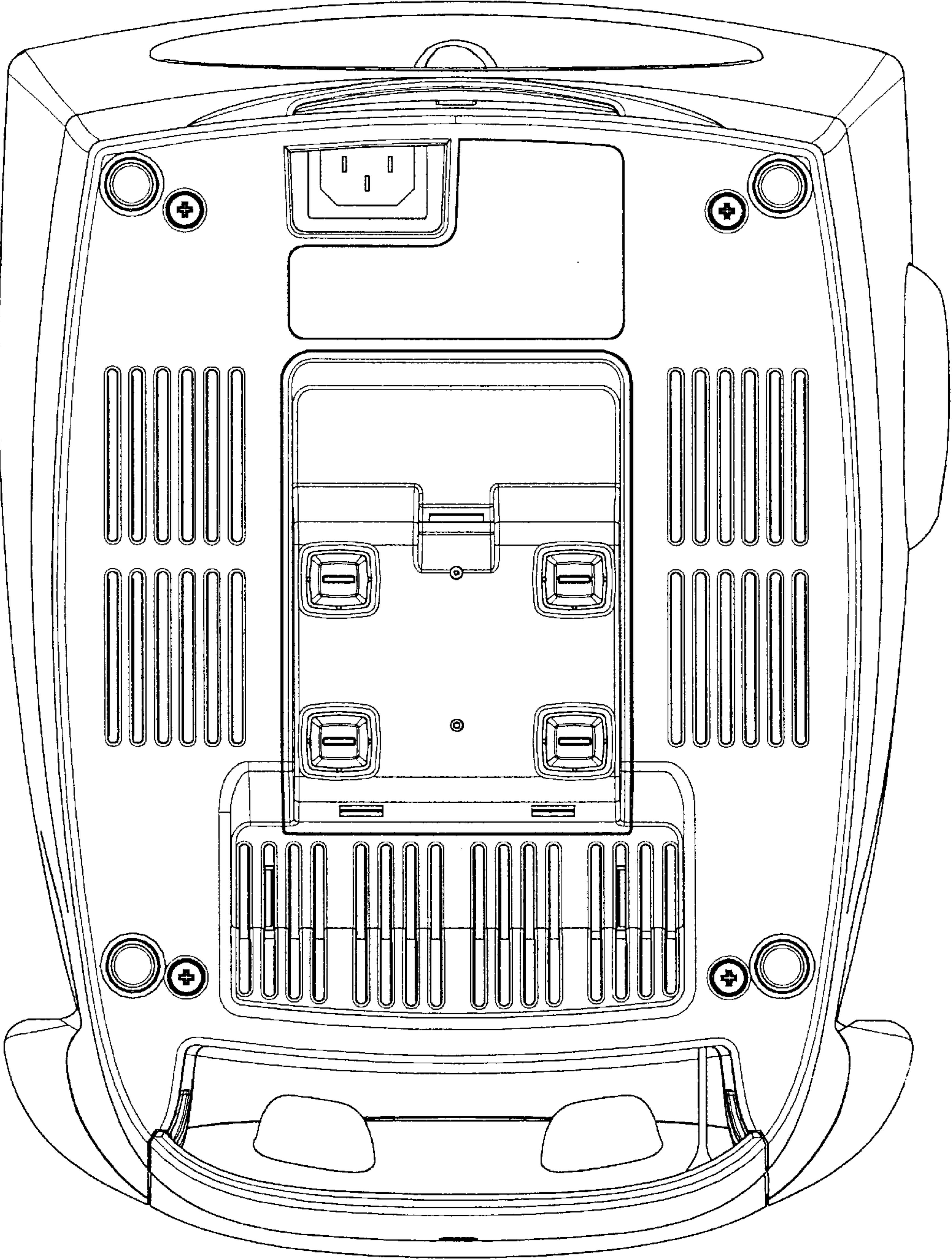


FIGURE 7



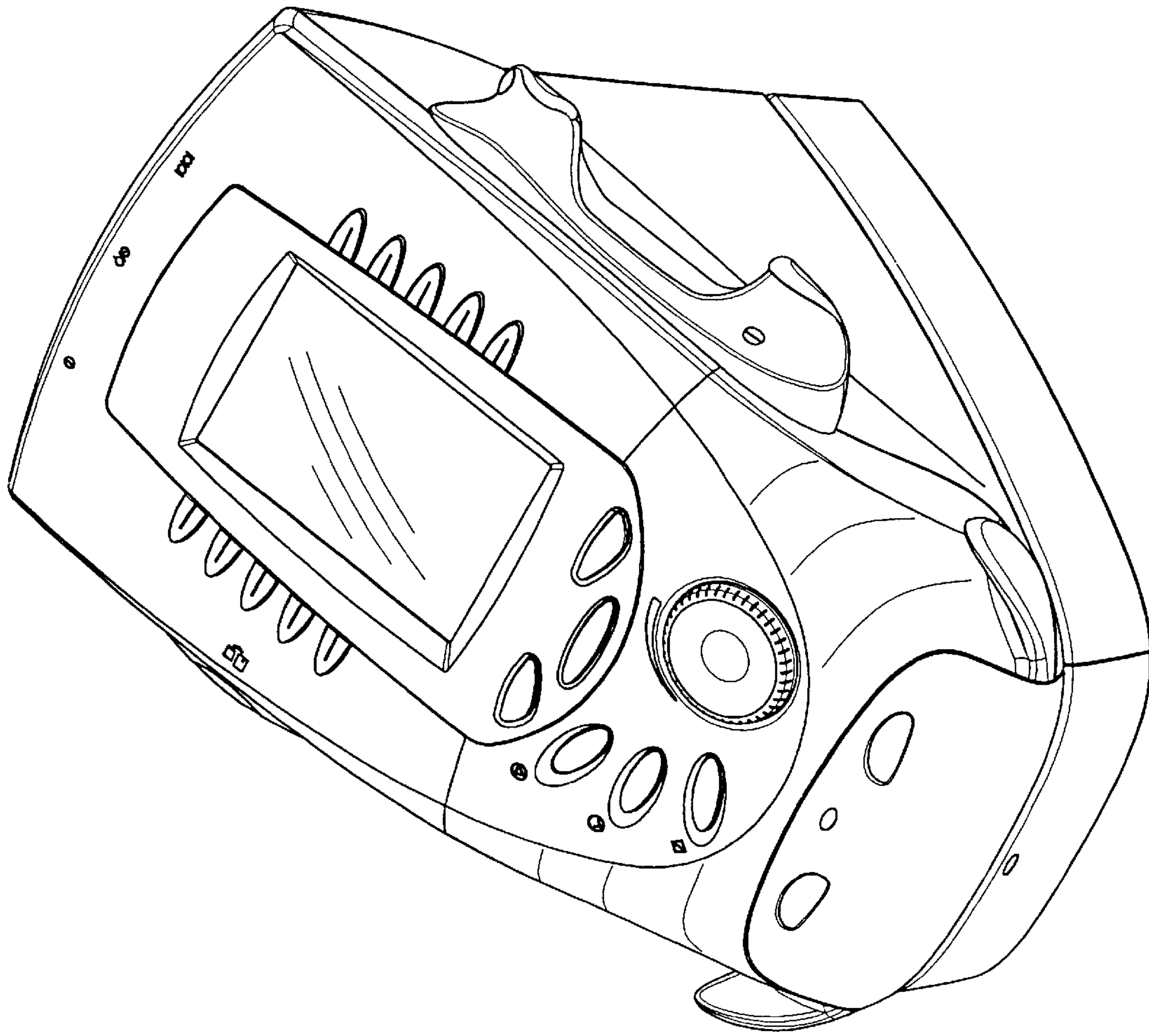


FIGURE 8

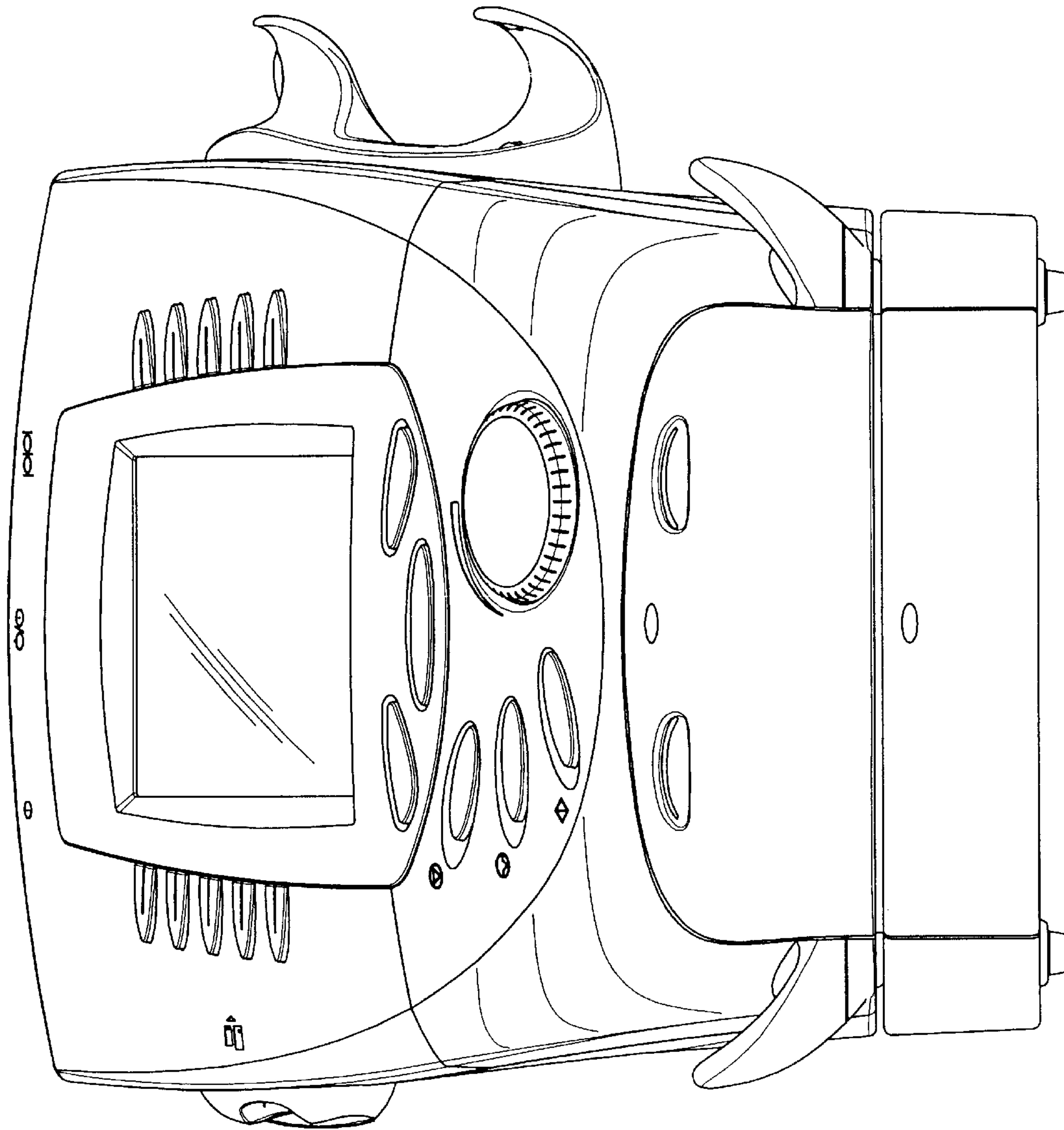


FIGURE 9

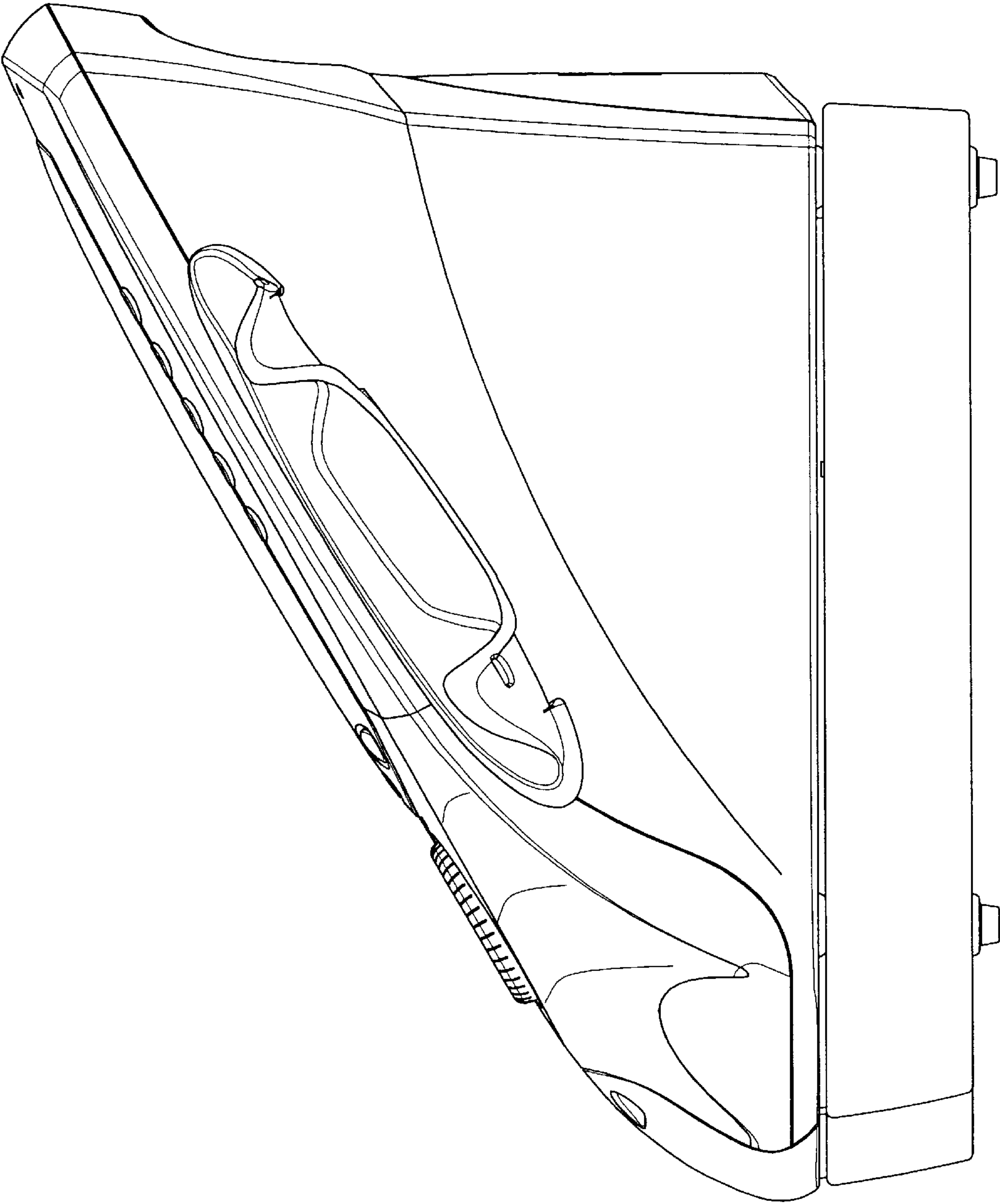


FIGURE 10

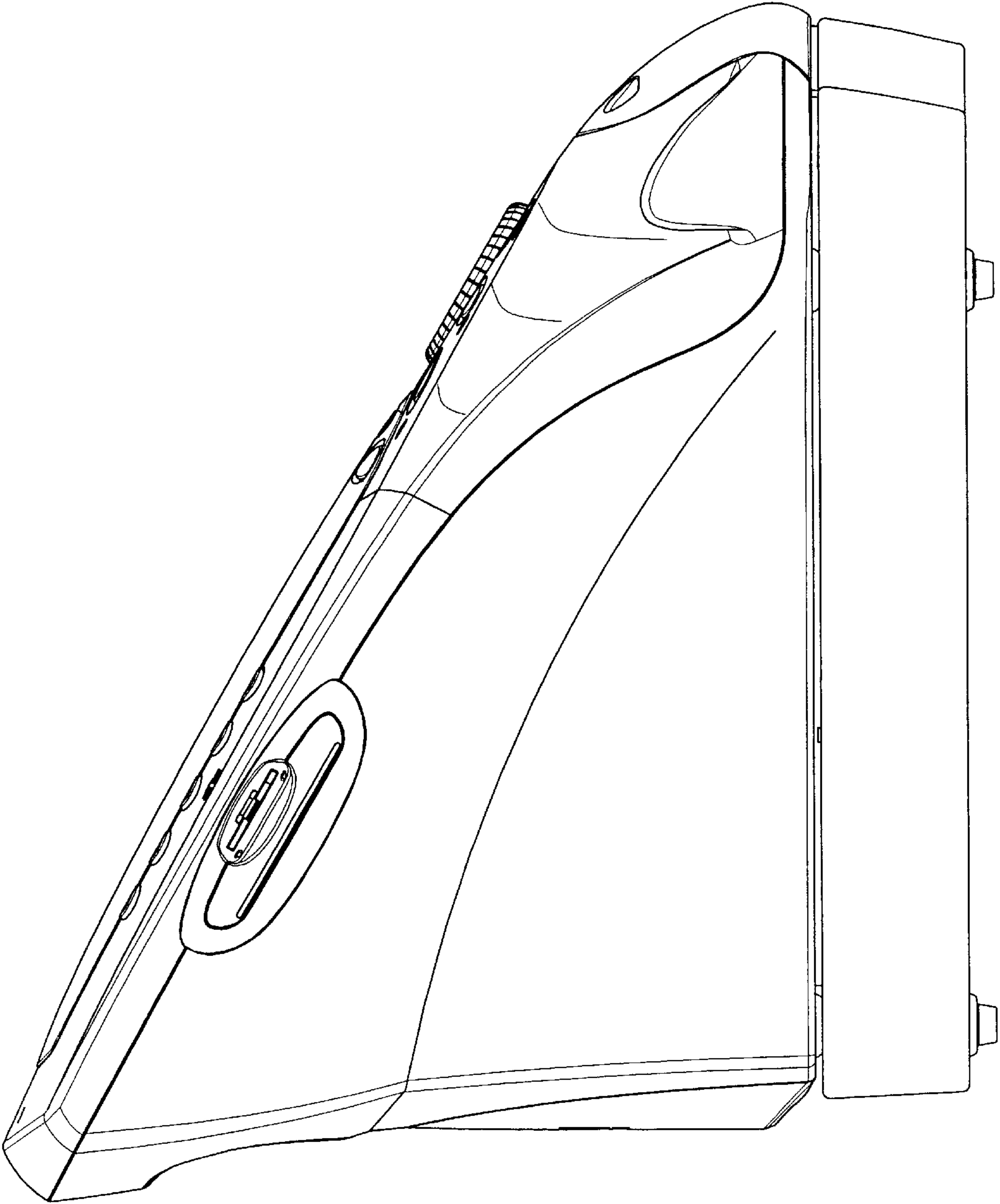


FIGURE 11



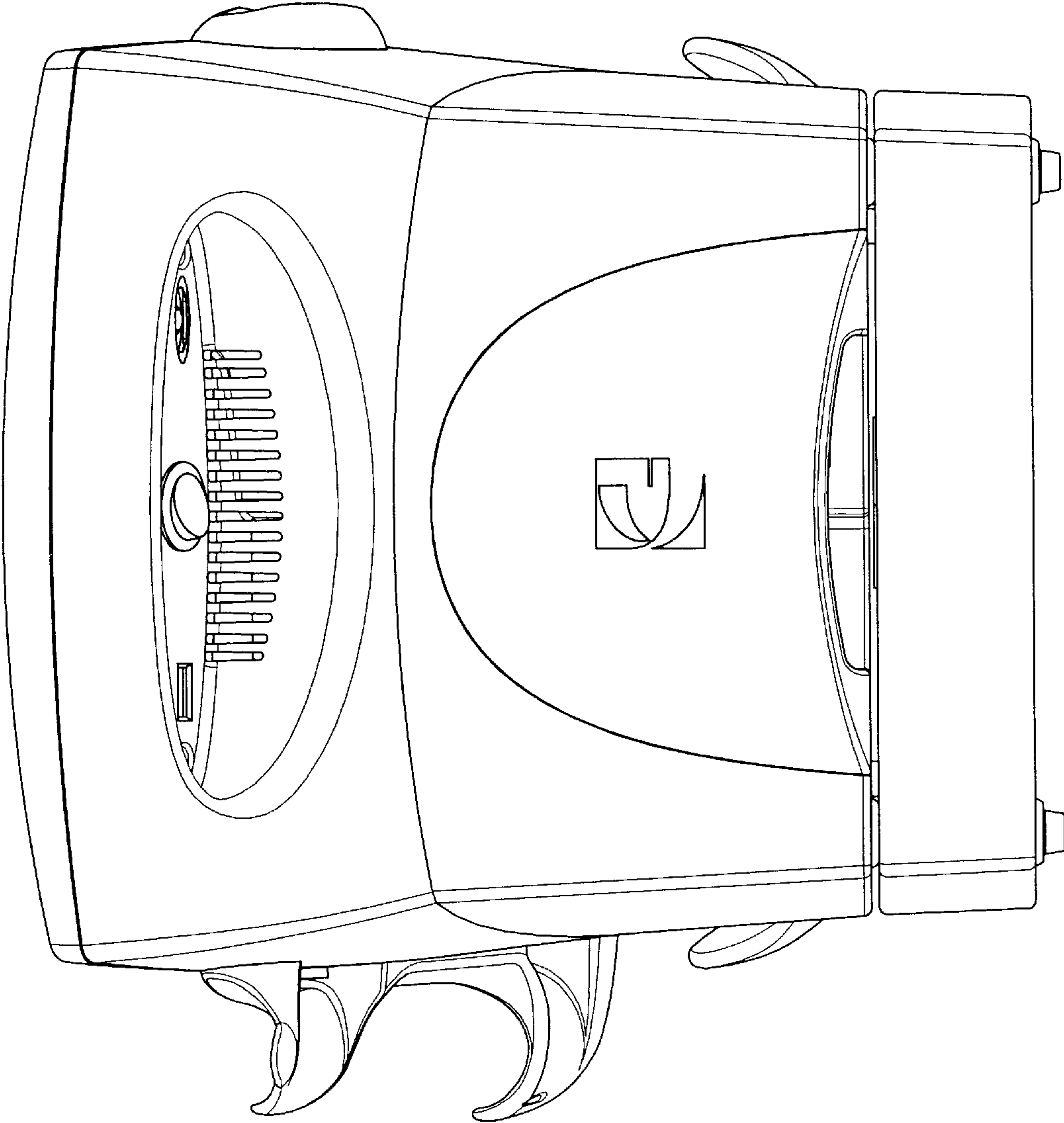


FIGURE 12



FIGURE 13

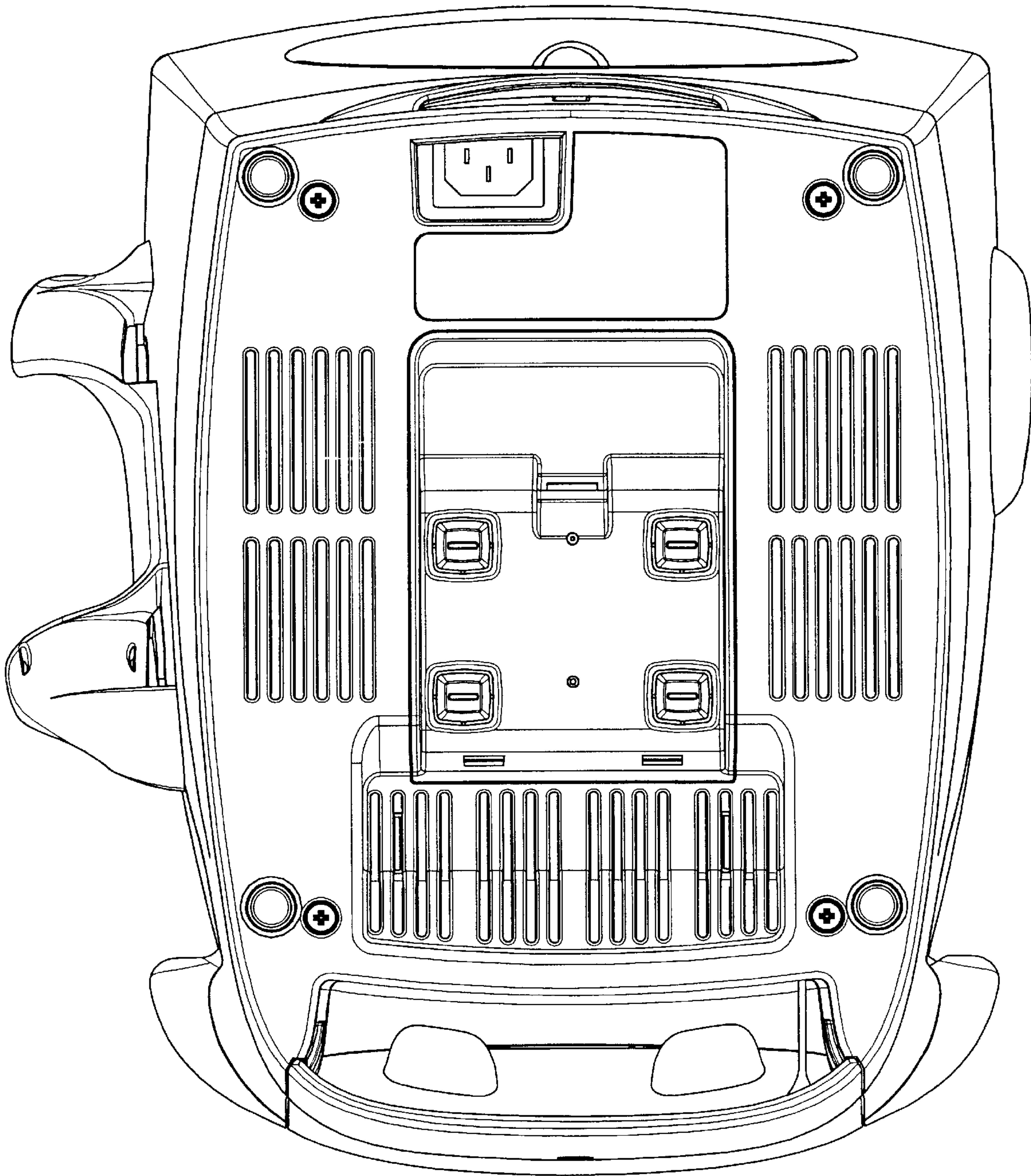


FIGURE 14