

US00D508997S

(12) **United States Design Patent**
Hairfield, Sr.

(10) **Patent No.:** **US D508,997 S**

(45) **Date of Patent:** **** Aug. 30, 2005**

(54) **ELECTRODE**

(76) **Inventor:** **Wade E. Hairfield, Sr.**, 3225 McLeod Dr., Las Vegas, NV (US) 89121

(**) **Term:** **14 Years**

(21) **Appl. No.:** **29/196,974**

(22) **Filed:** **Jan. 8, 2004**

(51) **LOC (8) Cl.** **24-04**

(52) **U.S. Cl.** **D24/168**

(58) **Field of Search** D24/168, 170,
D24/200, 212, 213, 187; D13/133, 121,
146; D21/498; 602/41-47; 607/2; 4/622;
601/105

(56) **References Cited**

U.S. PATENT DOCUMENTS

D330,426 S	*	10/1992	Elkerbout	D24/213
2001/0004680 A1	*	6/2001	Brotz	601/150
2003/0226201 A1	*	12/2003	Leung et al.	4/622

* cited by examiner

Primary Examiner—Ian Simmons

Assistant Examiner—Daniel Yu

(57) **CLAIM**

The ornamental design for an electrode, as shown and described.

DESCRIPTION

FIG. 1 is a top perspective view of my new design for an electrode in the preferred embodiment, wherein the dotted lines show an outline of a drainage stand and a power cord which is for illustrative purposes only and is not part of the claimed design.

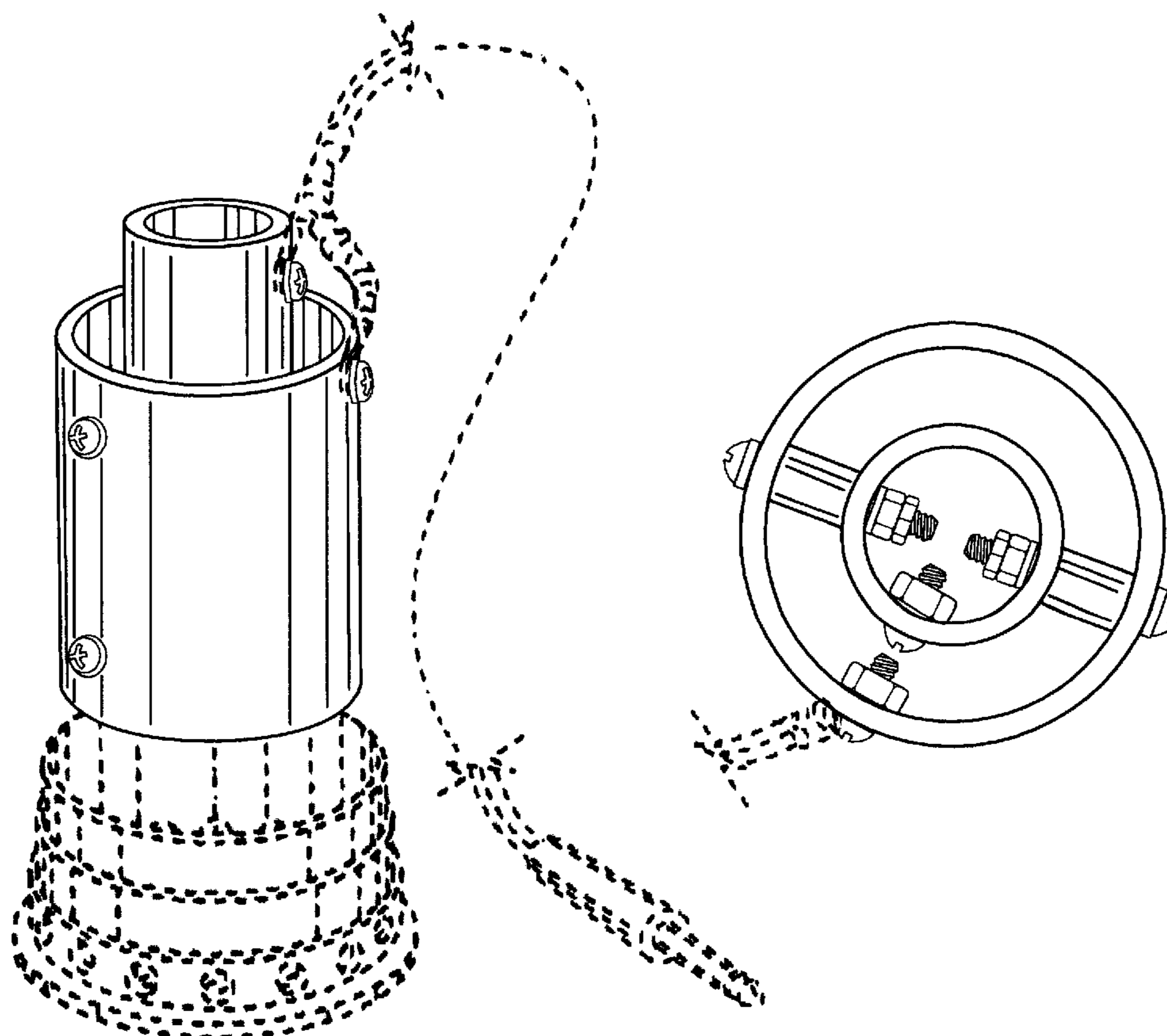
FIG. 2 is a front elevation view of the electrode of FIG. 1, wherein the dotted lines show an outline of a power cord which is for illustrative purposes only and is not part of the claimed design.

FIG. 3 is a rear elevation view of the electrode of FIG. 1, wherein the dotted lines show an outline of a power cord which is for illustrative purposes only and is not part of the claimed design.

FIG. 4 is a bottom plan view of the electrode of FIG. 1, wherein the dotted lines show an outline of a power cord which is for illustrative purposes only and is not part of the claimed design; and,

FIG. 5 is a top plan view of the electrode of FIG. 1, wherein the dotted lines show an outline of a power cord which is for illustrative purposes only and is not part of the claimed design.

1 Claim, 2 Drawing Sheets



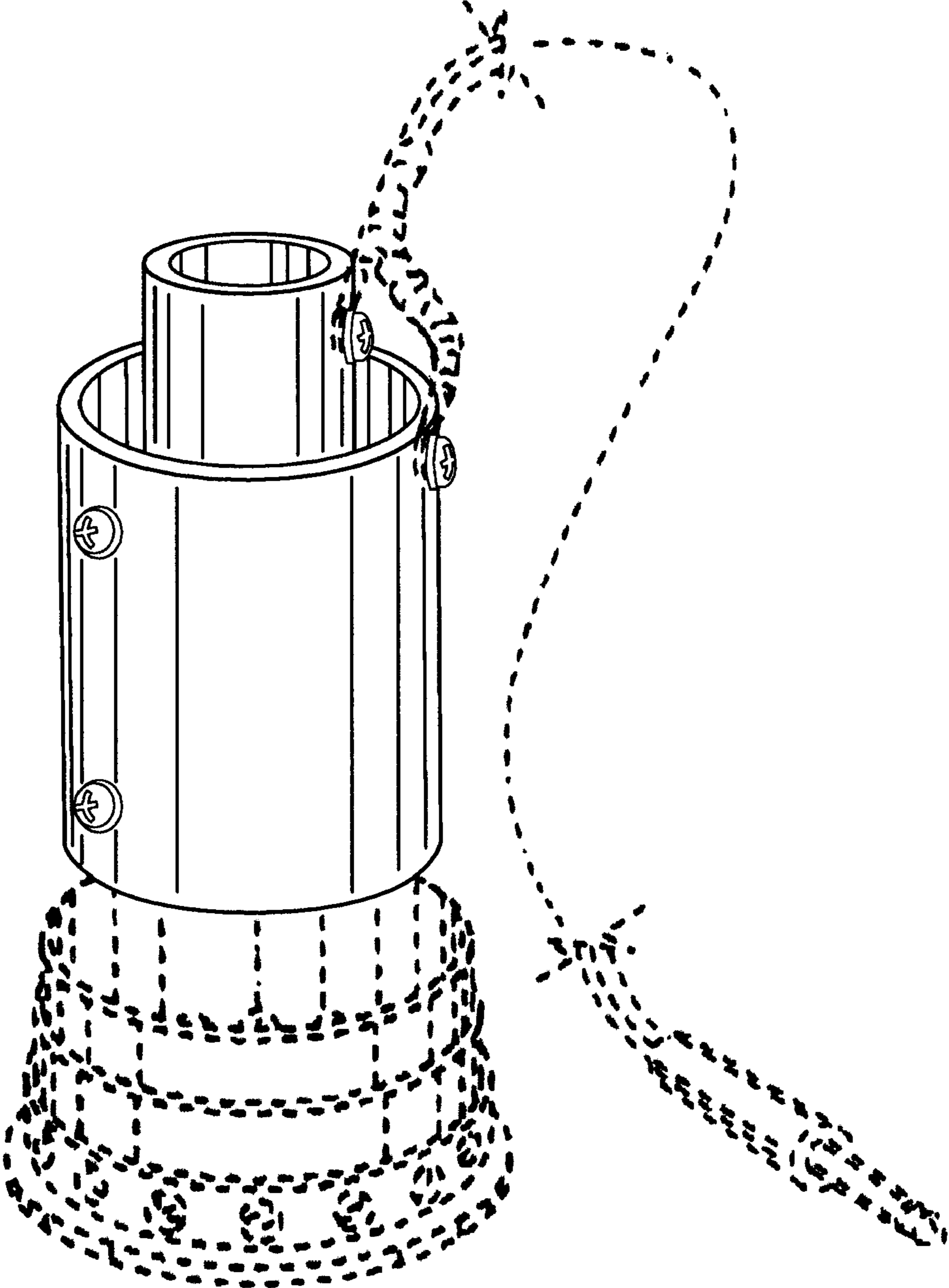


Figure 1

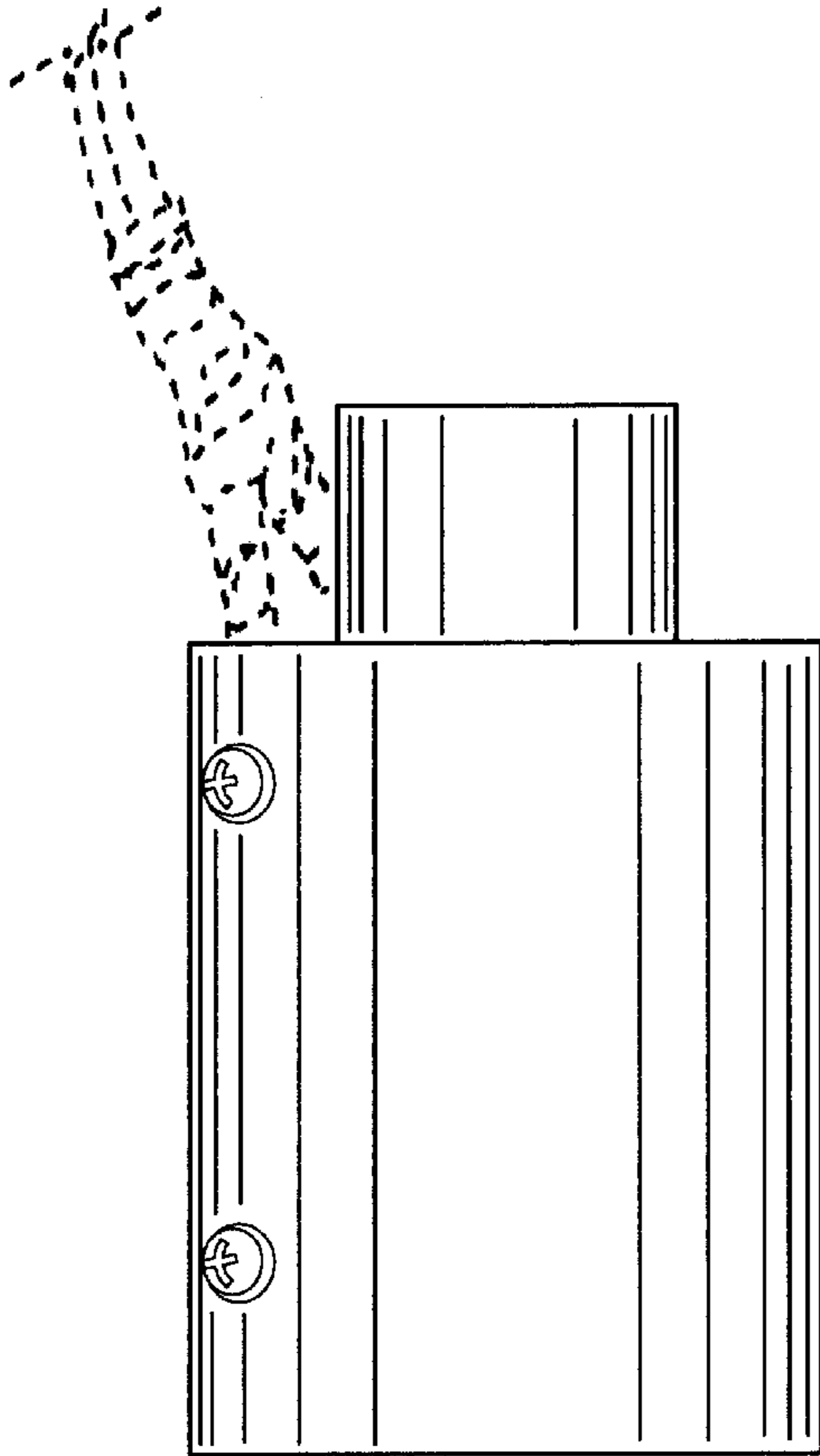


Figure 2

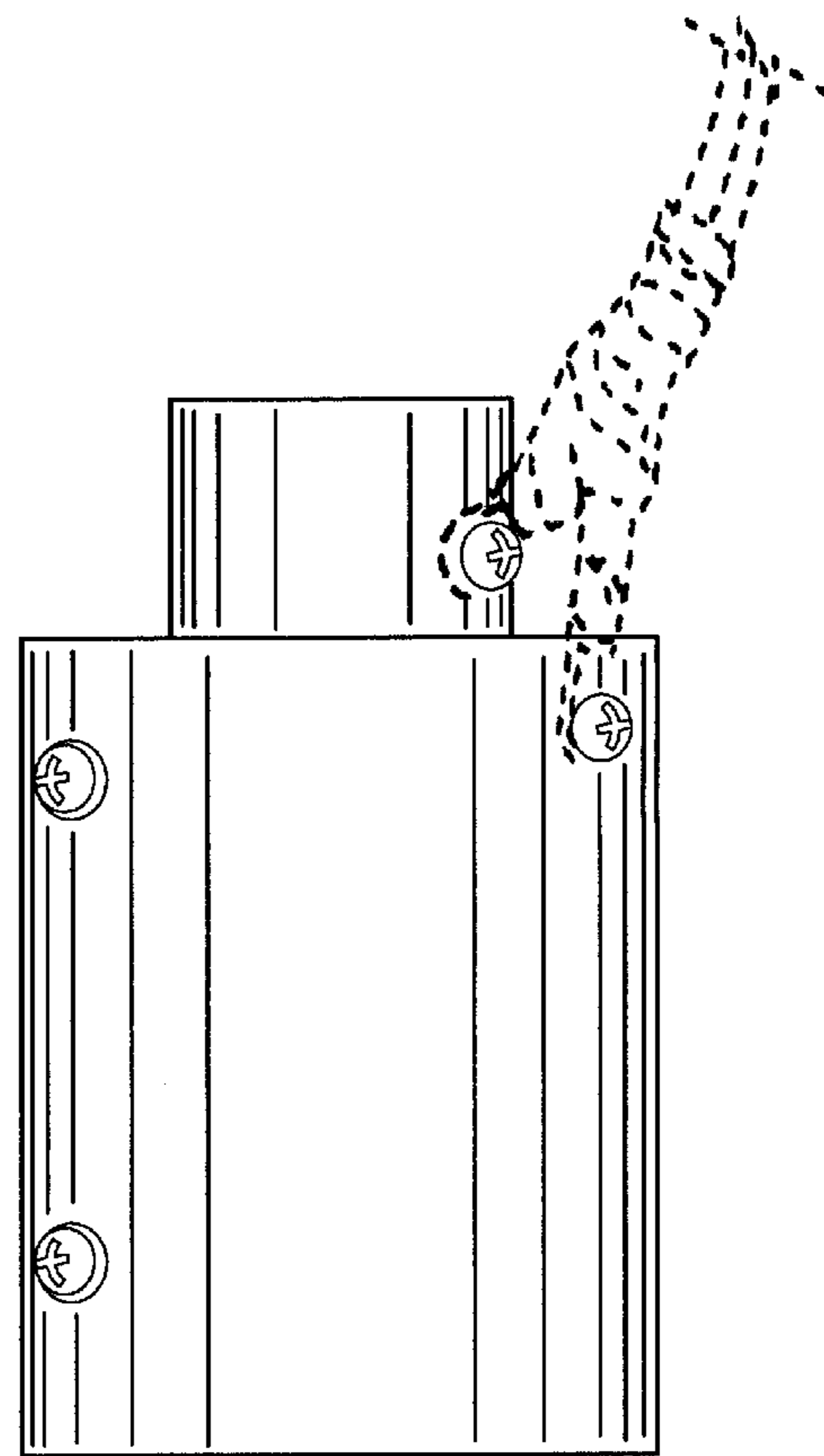


Figure 3

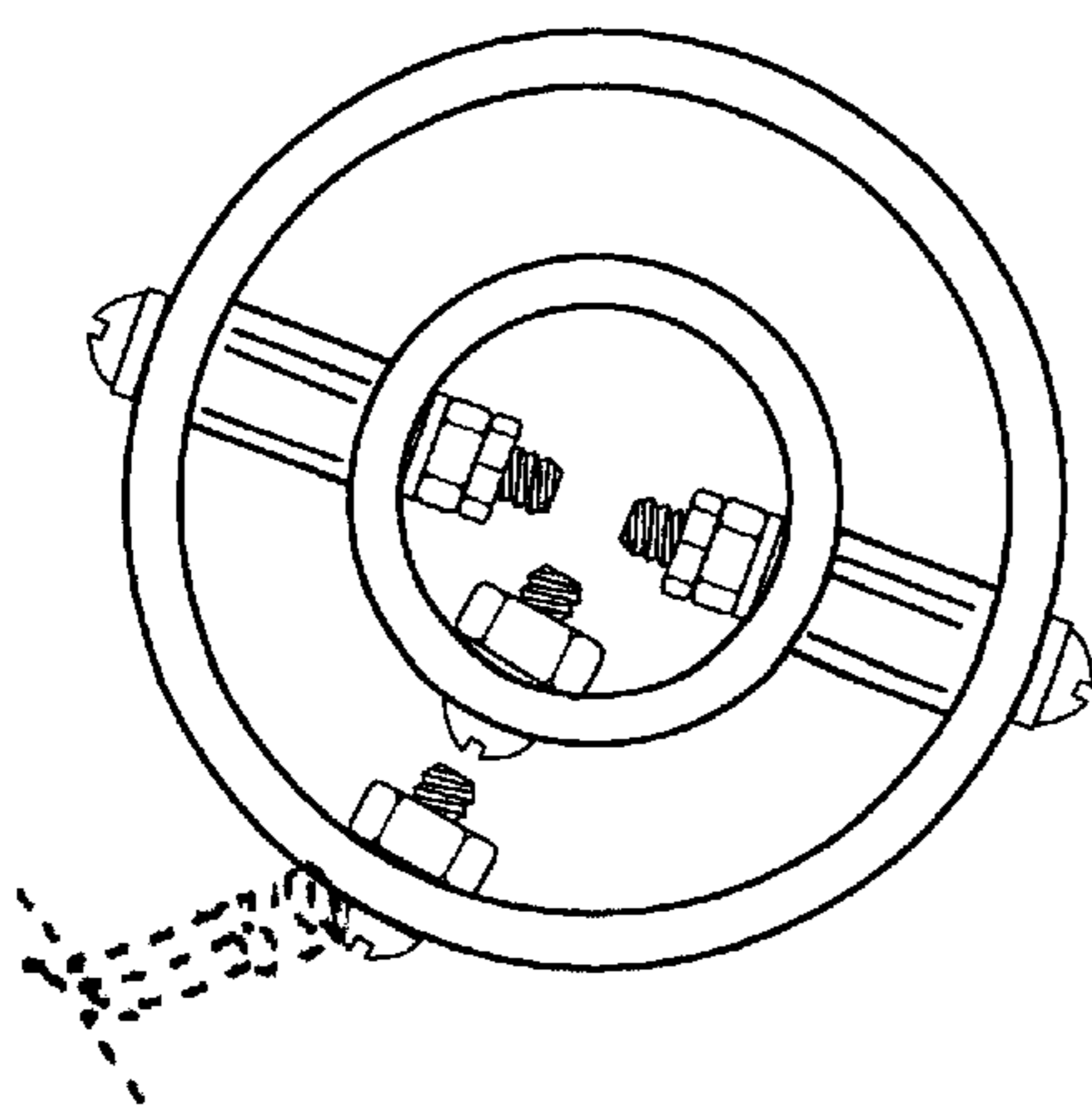


Figure 4

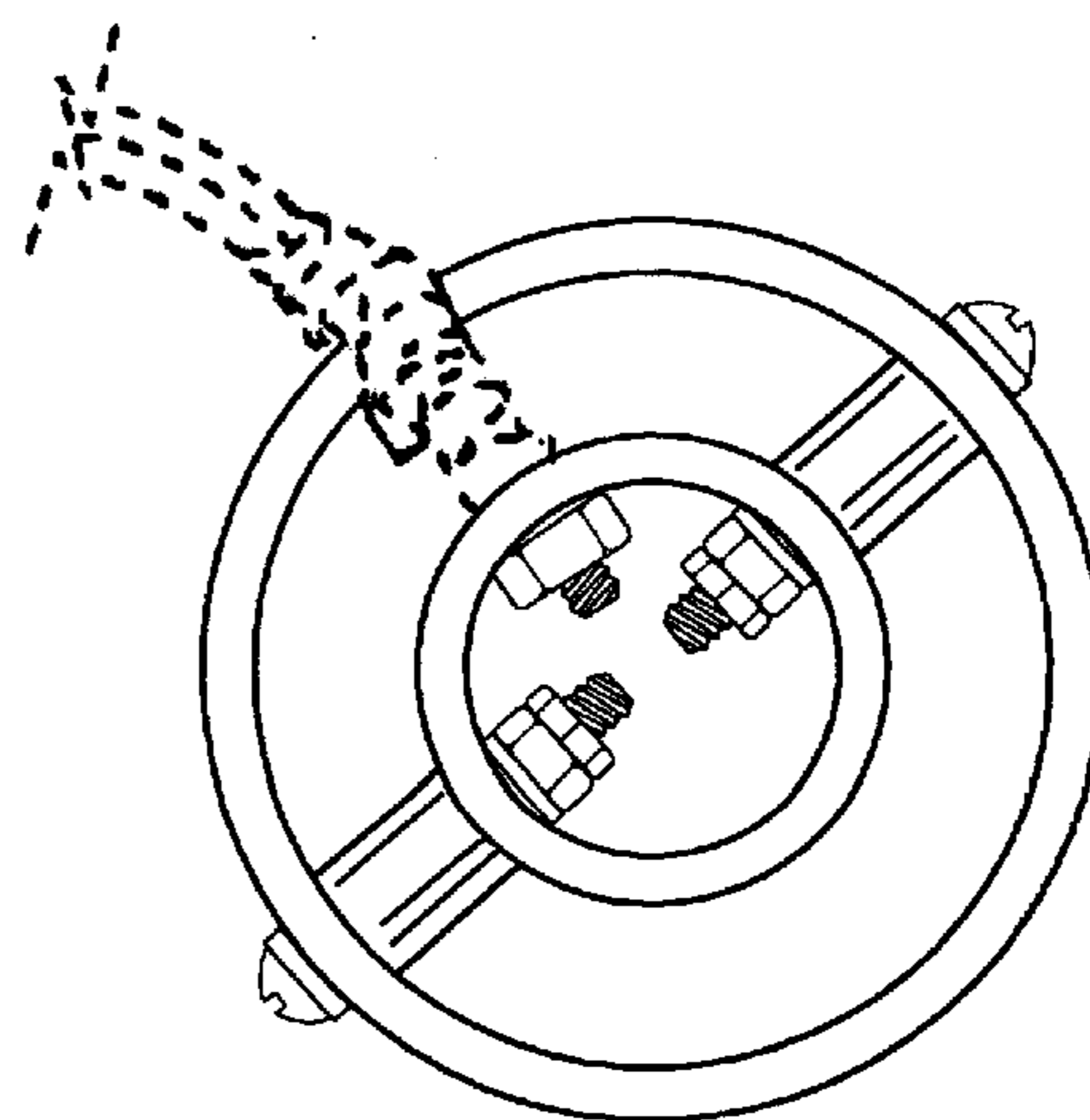


Figure 5