



US00D508995S

(12) **United States Design Patent**  
**Mitchell et al.**

(10) **Patent No.:** **US D508,995 S**

(45) **Date of Patent:** **\*\* Aug. 30, 2005**

(54) **SYRINGE ADAPTOR**

(75) Inventors: **John N. Mitchell**, Hertfordshire (GB);  
**Philip J. Simpson**, Escondido, CA (US)

(73) Assignee: **Vasogen Ireland Limited (IE)**

(\*\*) Term: **14 Years**

(21) Appl. No.: **29/205,846**

(22) Filed: **May 21, 2004**

(30) **Foreign Application Priority Data**

Nov. 21, 2003 (CA) ..... 107132

(51) **LOC (8) Cl.** ..... **24-04**

(52) **U.S. Cl.** ..... **D24/129**

(58) **Field of Search** ..... D24/129, 112,  
D24/113, 114, 130; 604/905, 8, 9, 36, 43,  
99.2, 99.3, 99.4, 125, 124, 121, 167.2,  
206, 248, 247, 234, 82; D18/26; D14/485,  
486, 487

(56) **References Cited**

**U.S. PATENT DOCUMENTS**

4,187,849 A \* 2/1980 Stim ..... 604/236  
D330,763 S \* 11/1992 Penny et al. .... D24/113

D331,107 S \* 11/1992 Kanner et al. .... D24/113  
D381,075 S \* 7/1997 Manosalva et al. .... D24/112  
5,697,904 A \* 12/1997 Raines et al. .... 604/82  
D497,426 S \* 10/2004 Hirsch et al. .... D24/129

\* cited by examiner

*Primary Examiner*—Ian Simmons

*Assistant Examiner*—Daniel Yu

(74) *Attorney, Agent, or Firm*—Foley & Lardner LLP

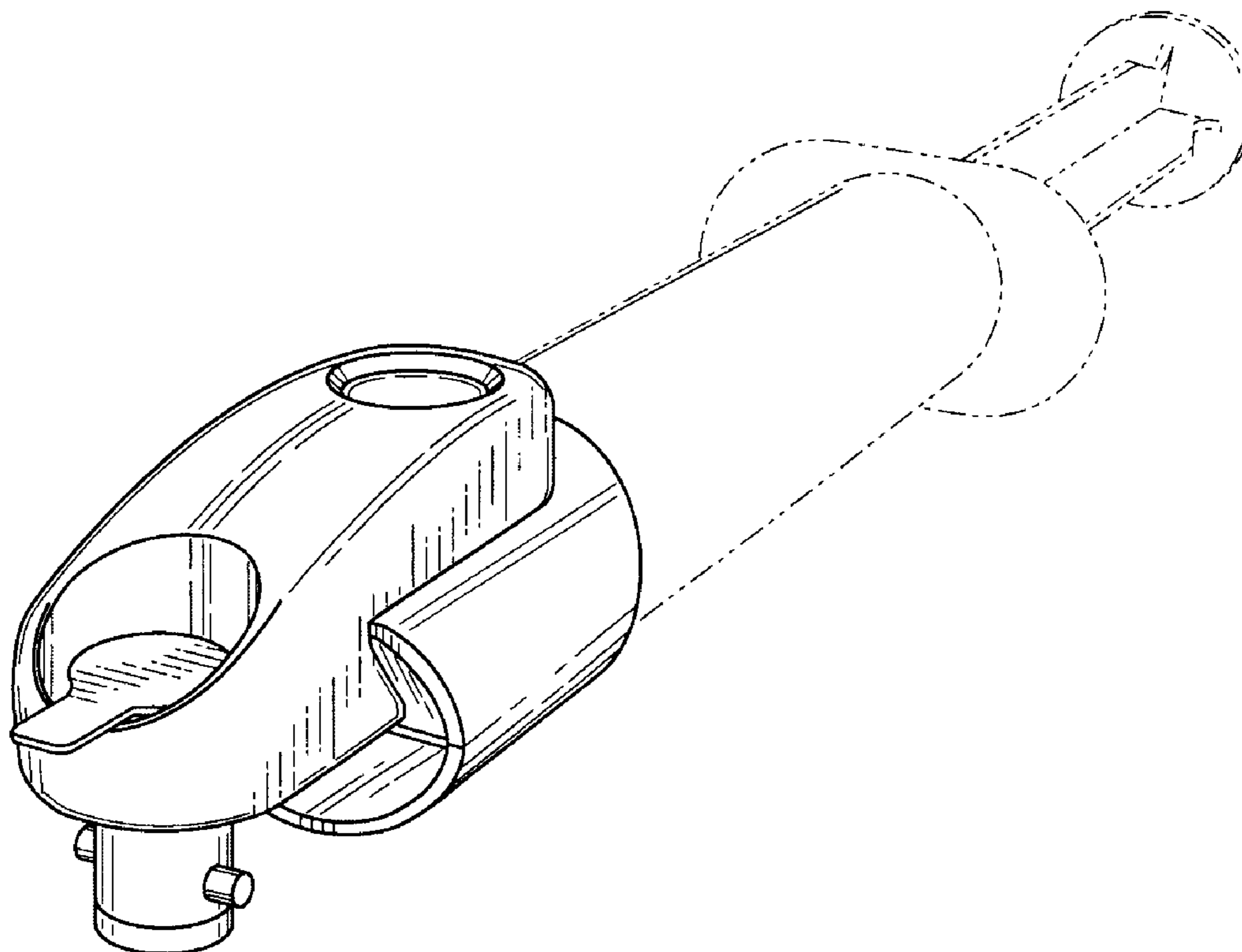
(57) **CLAIM**

The ornamental design for syringe adaptor, as shown and described.

**DESCRIPTION**

FIG. 1 is a front side perspective view of the syringe adaptor; FIG. 2 is a rear side perspective view of the syringe adaptor; FIG. 3 is a side elevation view of the syringe adaptor; FIG. 4 is an opposite side elevation view of the syringe adaptor; FIG. 5 is a top plan view of the syringe adaptor; FIG. 6 is a bottom plan view of the syringe adaptor; FIG. 7 is a front elevation view of the syringe adaptor; and, FIG. 8 is a rear elevation view of the syringe adaptor. The broken line showing of the syringe body is for illustrative purposes only and forms no part of the claimed design.

**1 Claim, 5 Drawing Sheets**



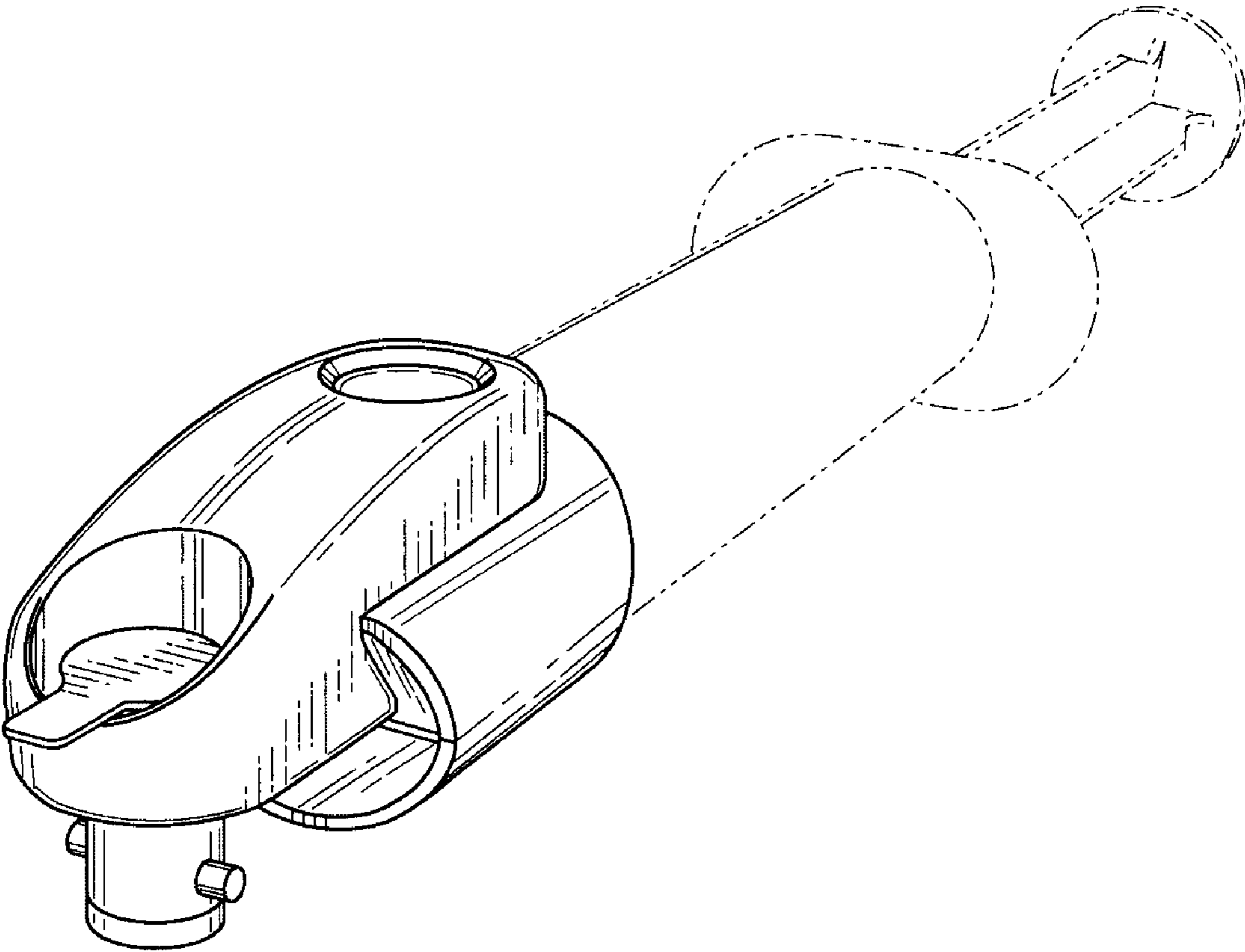


FIG. 1

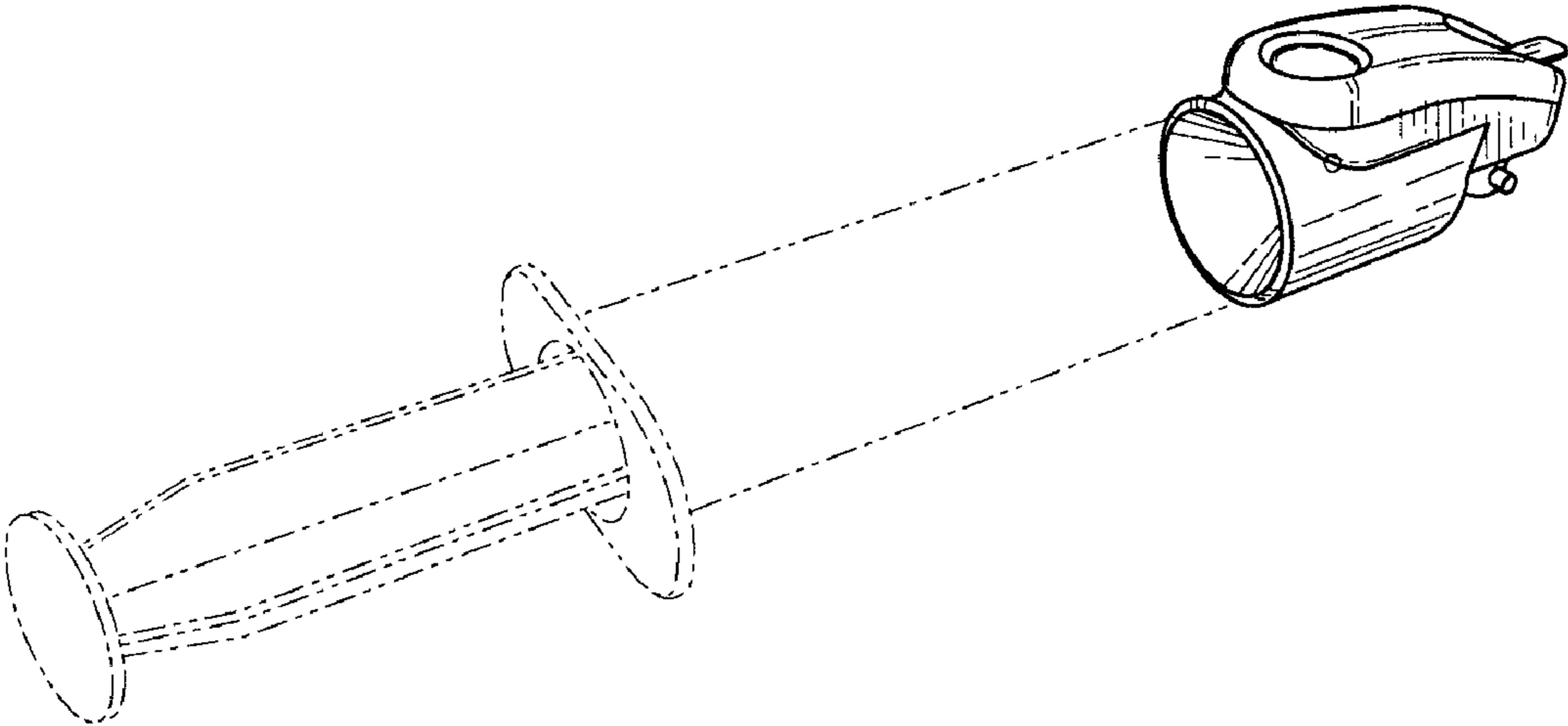


FIG. 2

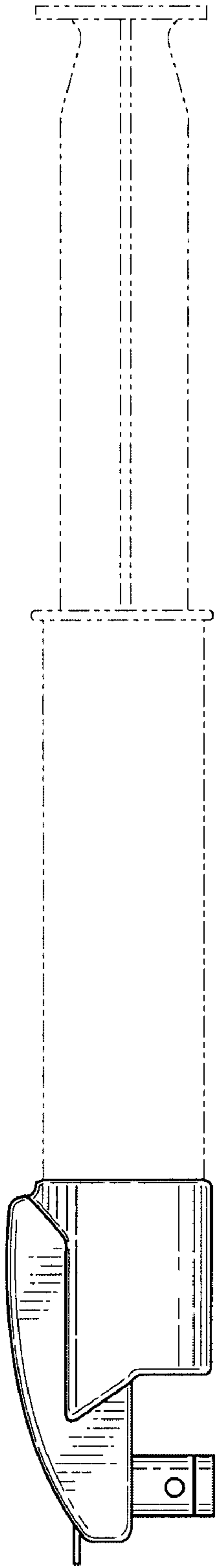


FIG. 3

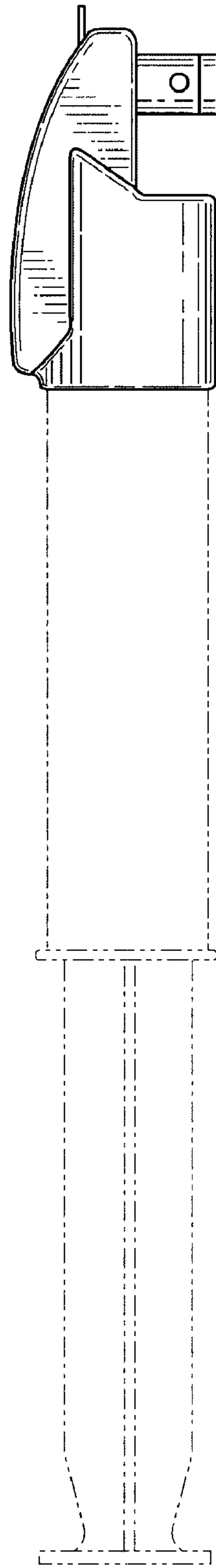


FIG. 4

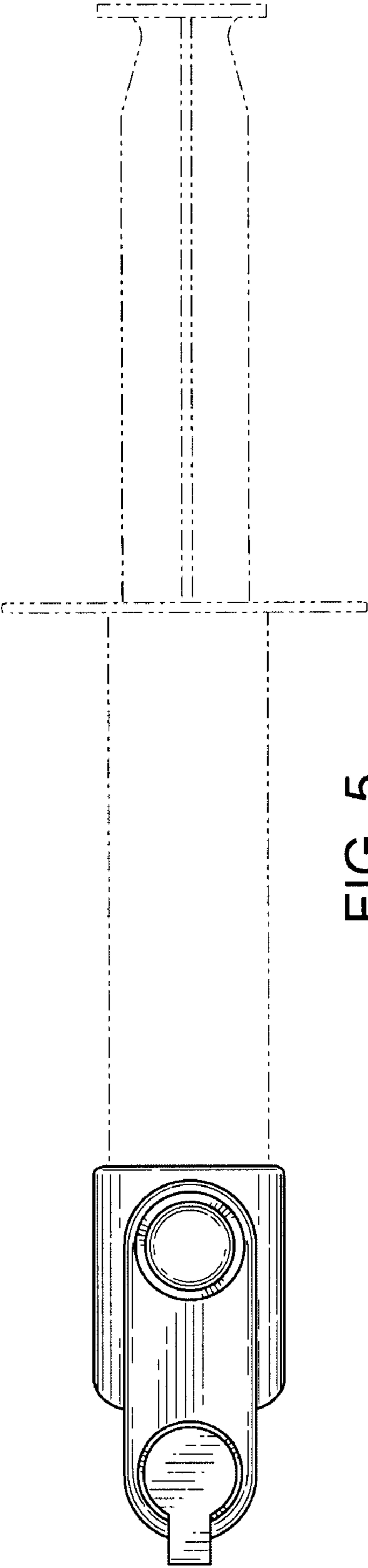


FIG. 5

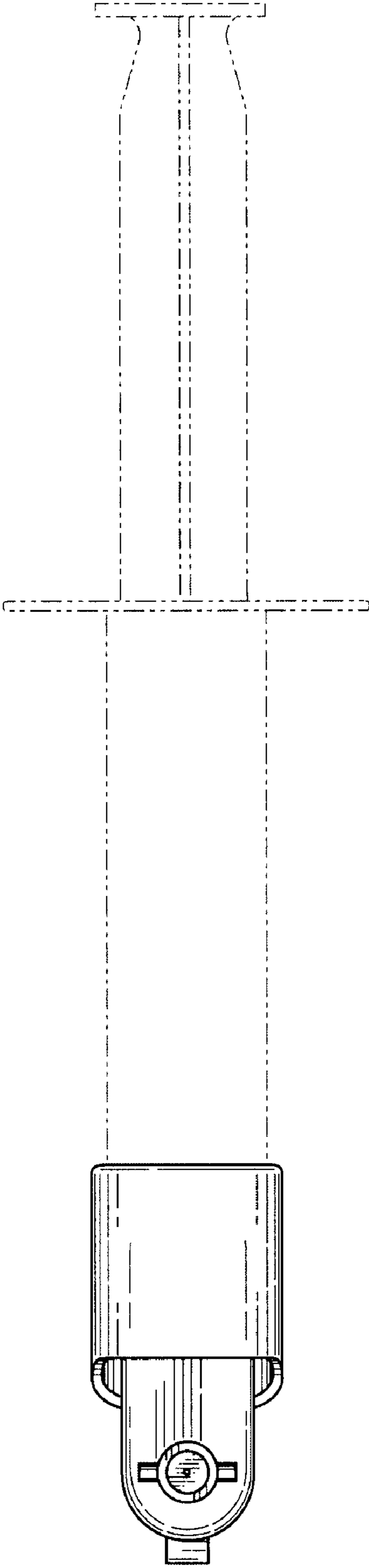


FIG. 6

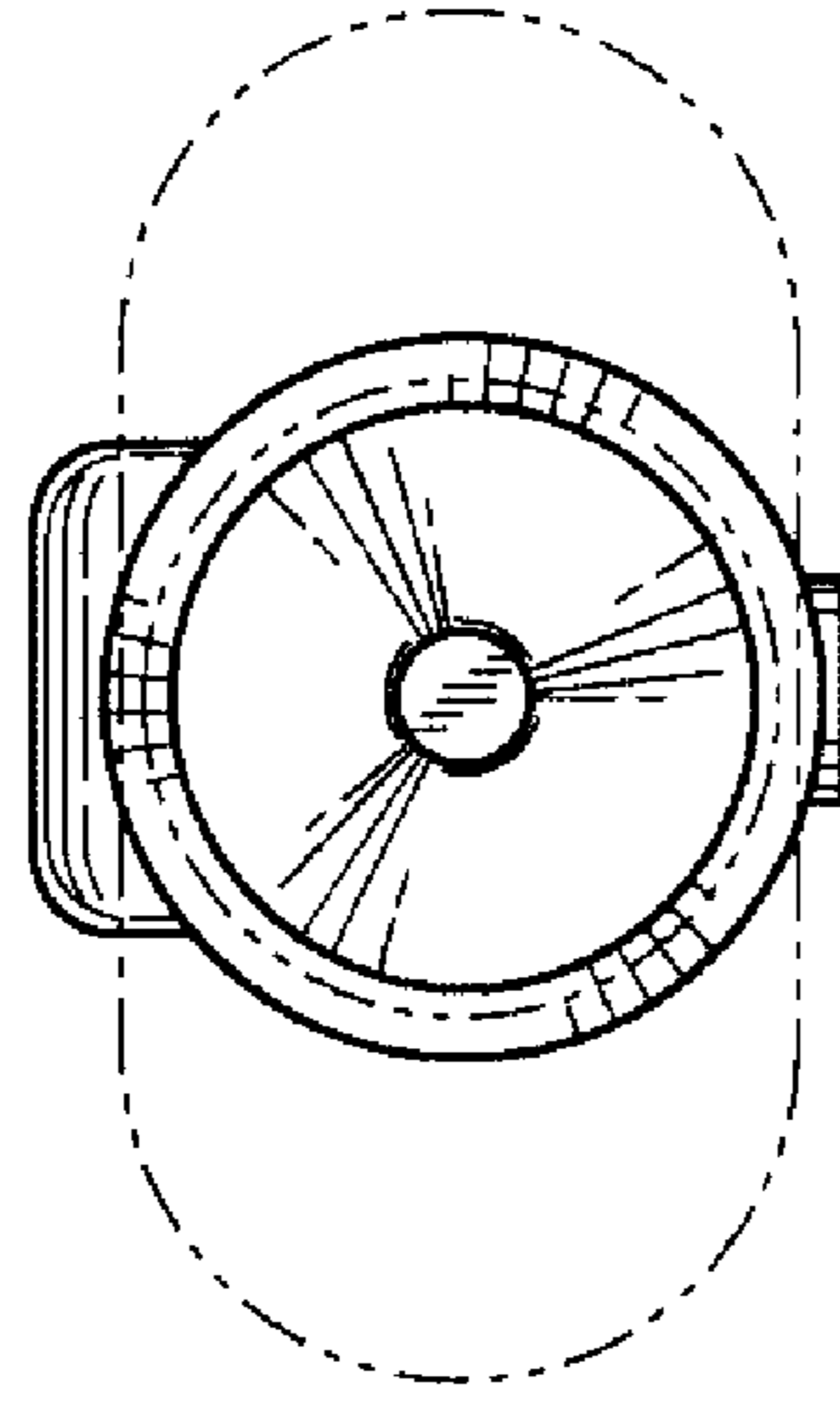


FIG. 8

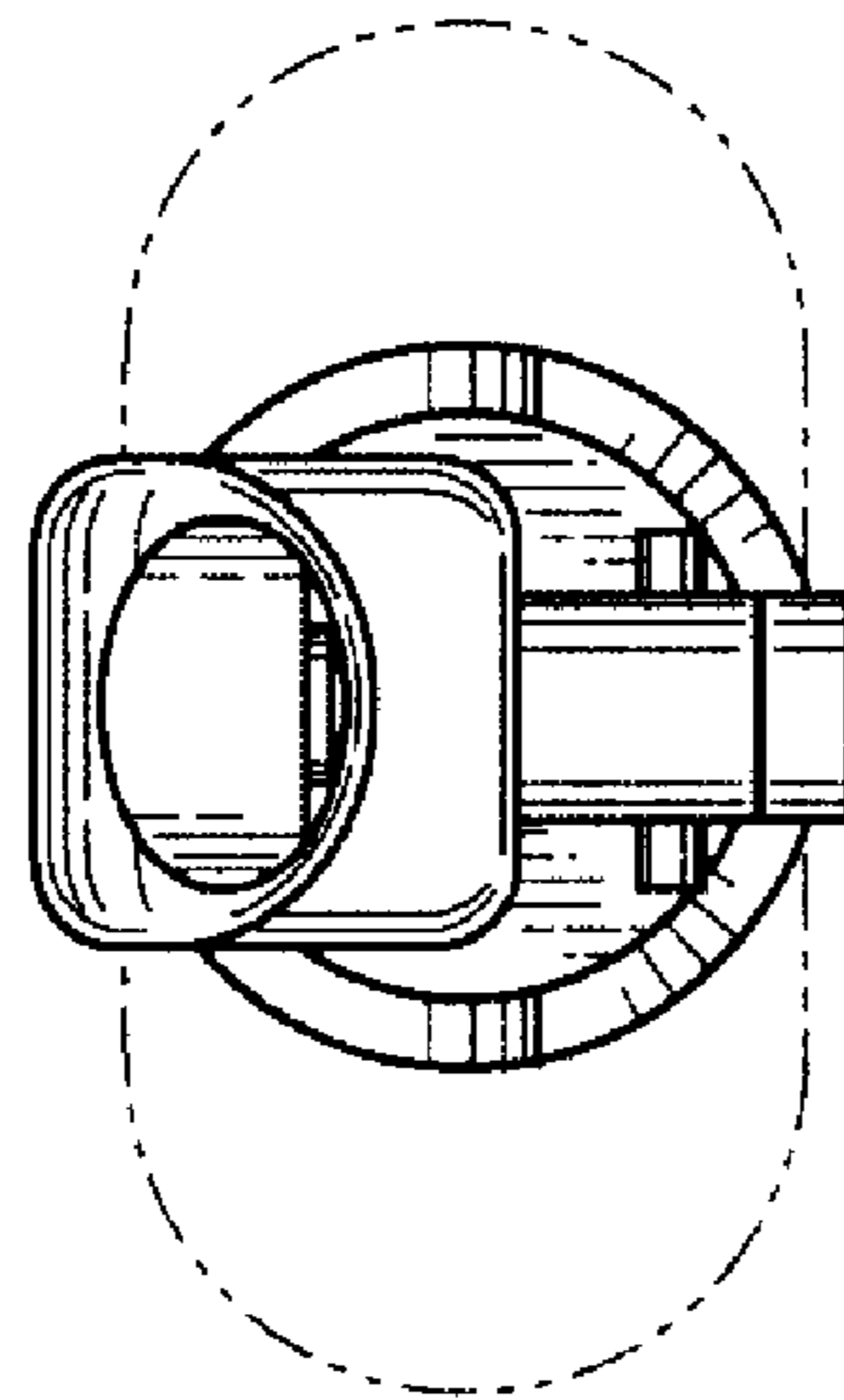


FIG. 7