

US00D508990S

(12) **United States Design Patent**
Stauffer et al.

(10) **Patent No.: US D508,990 S**

(45) **Date of Patent: ** Aug. 30, 2005**

(54) **CEILING FAN MOTOR HOUSING**

D489,126 S * 4/2004 Young D23/411

(75) Inventors: **Michael J. Stauffer**, Memphis, TN (US); **Hadi Srass**, Arlington, TN (US)

* cited by examiner

Primary Examiner—Lisa Lichtenstein

(73) Assignee: **Hunter Fan Company**, Memphis, TN (US)

(74) *Attorney, Agent, or Firm*—Baker Donelson

(**) Term: **14 Years**

(57) **CLAIM**

The ornamental design for a ceiling fan motor housing, as shown and described.

(21) Appl. No.: **29/204,248**

DESCRIPTION

(22) Filed: **Apr. 26, 2004**

(51) **LOC (8) Cl.** **23-04**

FIG. 1 is a perspective view of a ceiling fan motor housing showing my new design.

(52) **U.S. Cl.** **D23/411**

FIG. 2 is a front view thereof, the rear view, right side view and left side view being the same thereof.

(58) **Field of Search** D23/411, 377, D23/379, 385; 416/5

FIG. 3 is a bottom view thereof; and,

FIG. 4 is a top view thereof.

The broken line showing of environmental structure is for illustrative purposes only and forms no part of the claimed design.

(56) **References Cited**

U.S. PATENT DOCUMENTS

D421,799 S * 3/2000 Zuege D23/411

D464,424 S * 10/2002 Campbell D23/411

1 Claim, 2 Drawing Sheets

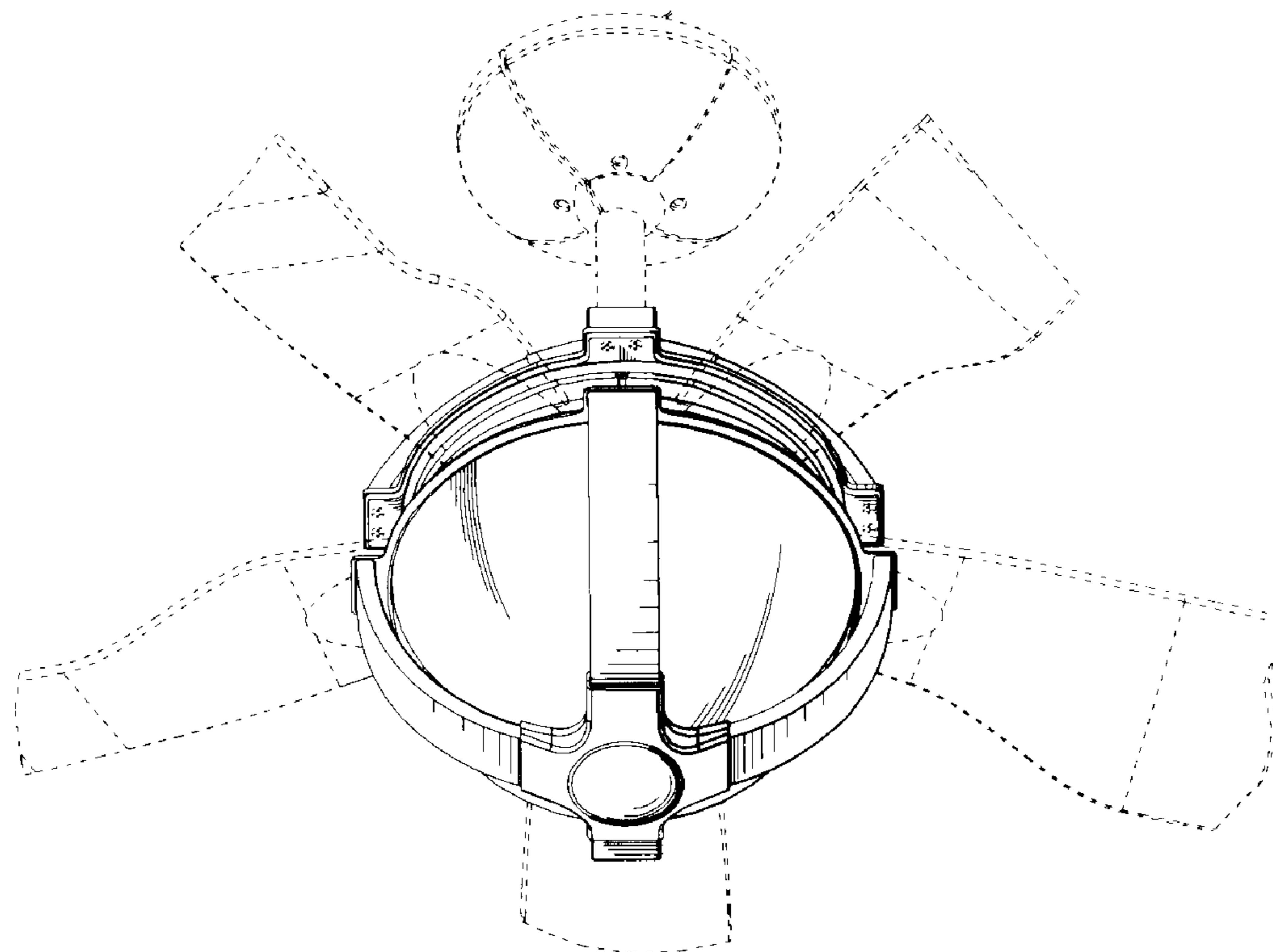


Fig. 1

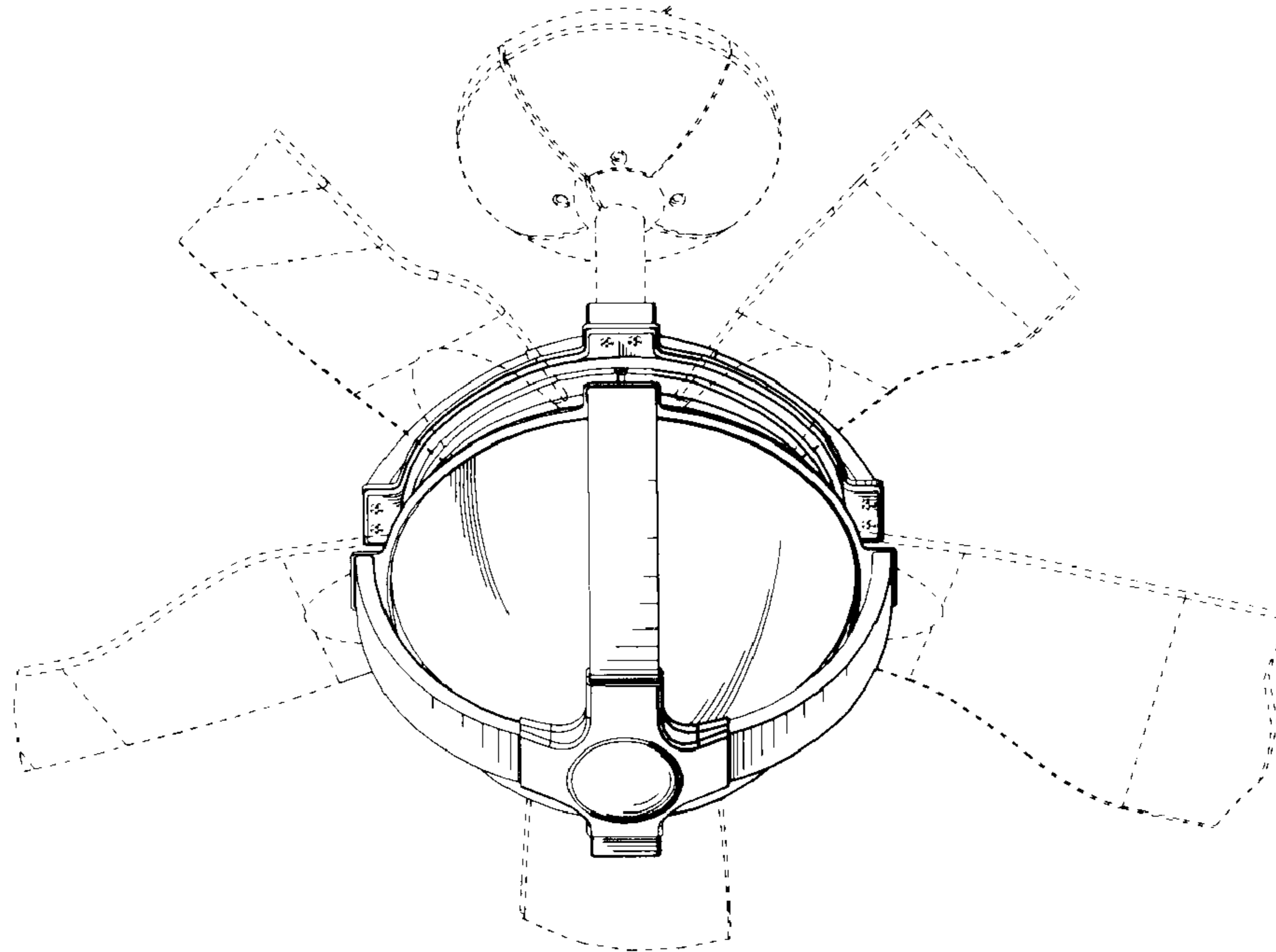


Fig. 2

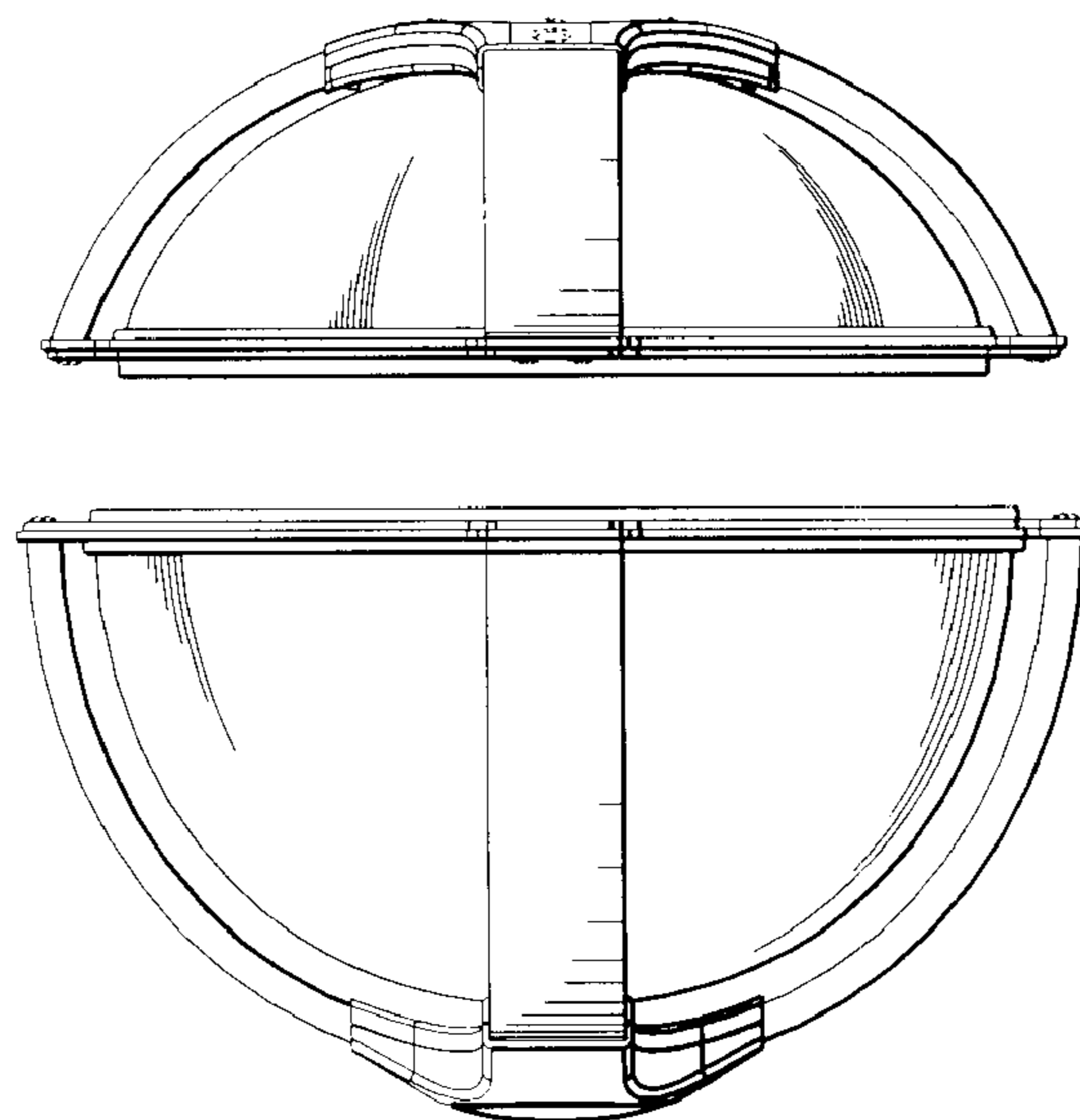


Fig. 3

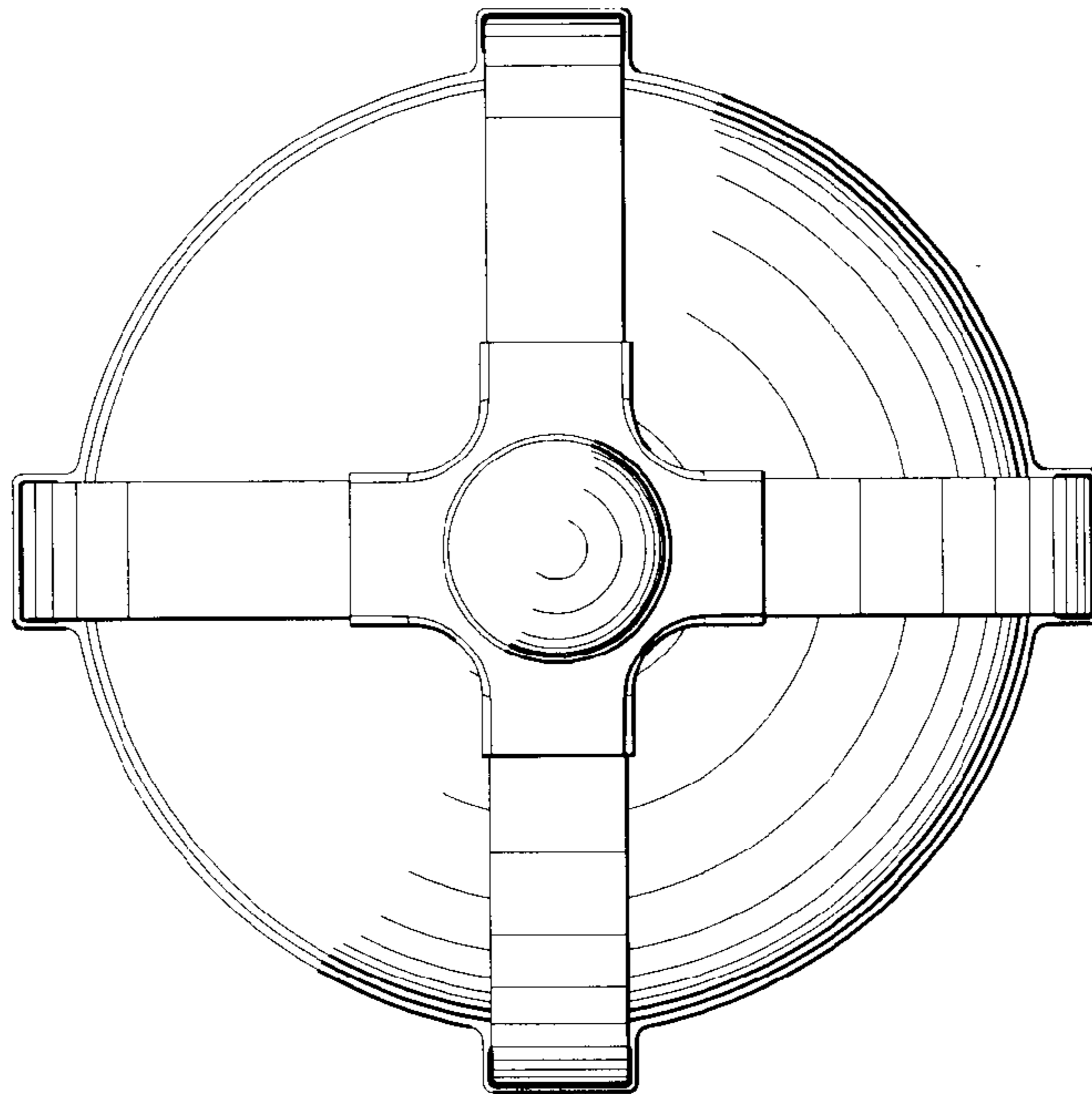


Fig. 4

