



US00D508989S

(12) **United States Design Patent**  
**Young**

(10) **Patent No.:** **US D508,989 S**  
(45) **Date of Patent:** **\*\* Aug. 30, 2005**

(54) **CEILING FAN BLADE IRON ASSEMBLY**

(57) **CLAIM**

(75) **Inventor:** **Stanfield Young**, Garden Grove, CA  
(US)

The ornamental design for a ceiling fan blade iron assembly,  
as shown and described.

(73) **Assignee:** **Minka Lighting, Inc.**, Corona, CA  
(US)

**DESCRIPTION**

(\*\*) **Term:** **14 Years**

FIG. 1 is a perspective view from below of a ceiling fan blade iron assembly in accordance with my design, shown in its environment;

(21) **Appl. No.:** **29/195,910**

FIG. 2 is an enlarged perspective view from below of the ceiling fan blade iron assembly in accordance with my design, shown in its environment;

(22) **Filed:** **Dec. 18, 2003**

FIG. 3 is a top plan view of the ceiling fan blade iron assembly in accordance with my design, shown in its environment;

(51) **LOC (8) Cl.** ..... **23-04**

(52) **U.S. Cl.** ..... **D23/411**

(58) **Field of Search** ..... D23/411, 377,  
D23/379, 385; 416/5, 210 R

FIG. 4 is a bottom plan view of the ceiling fan blade iron assembly in accordance with my design, shown in its environment;

(56) **References Cited**

**U.S. PATENT DOCUMENTS**

D457,620 S	*	5/2002	Frampton	.....	D23/413
D480,796 S	*	10/2003	Young	.....	D23/411
D484,964 S	*	1/2004	Young	.....	D23/377
D490,515 S	*	5/2004	Young	.....	D23/411

FIG. 5 is a front elevation view of the ceiling fan blade iron assembly in accordance with my design, shown in its environment; and,

FIG. 6 is a side elevation view of the ceiling fan blade iron assembly in accordance with my design, the opposite side being a mirror image of that shown show in its environment.

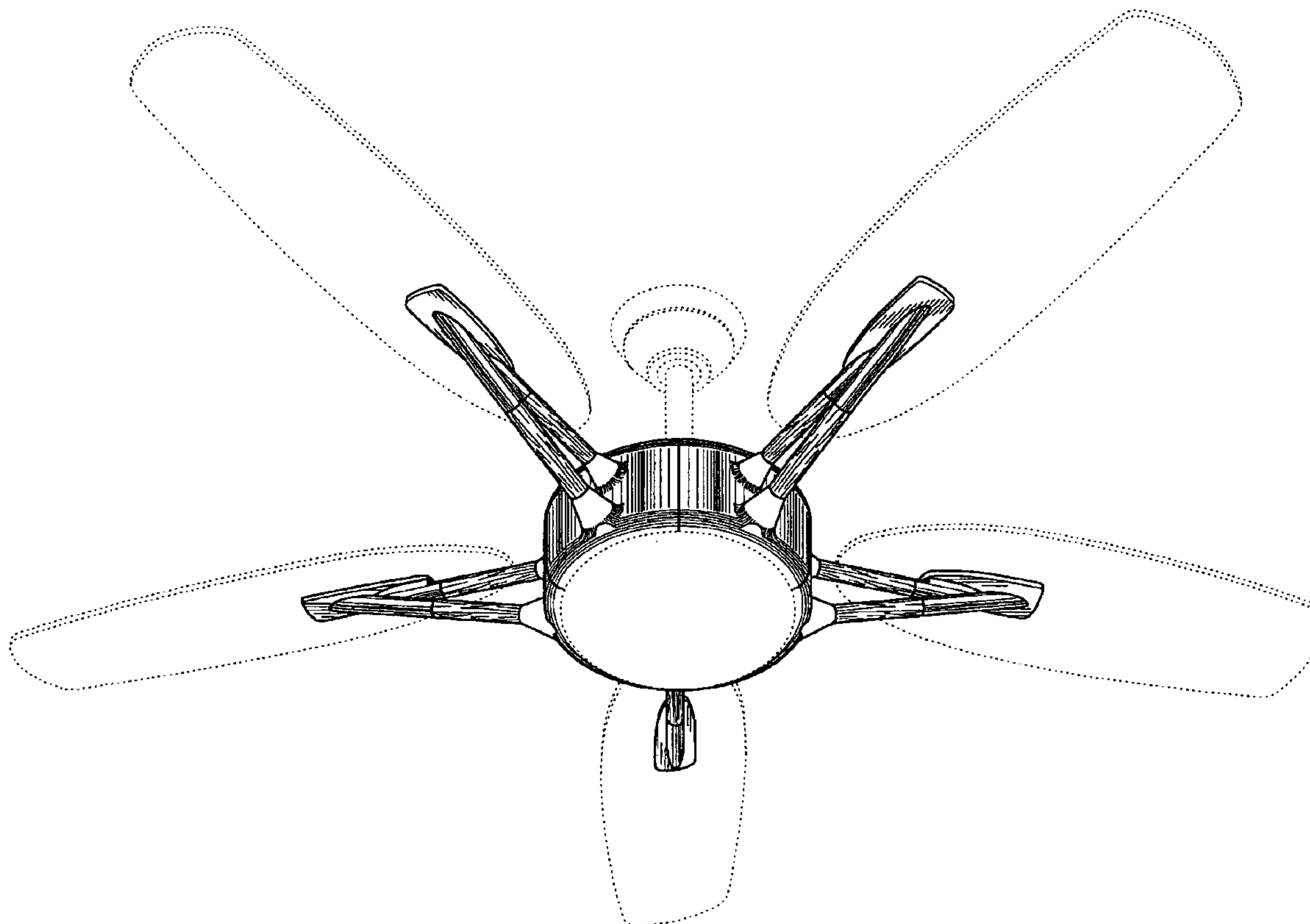
FIGS. 5 and 6 are identical except for the positioning of the fan blades.

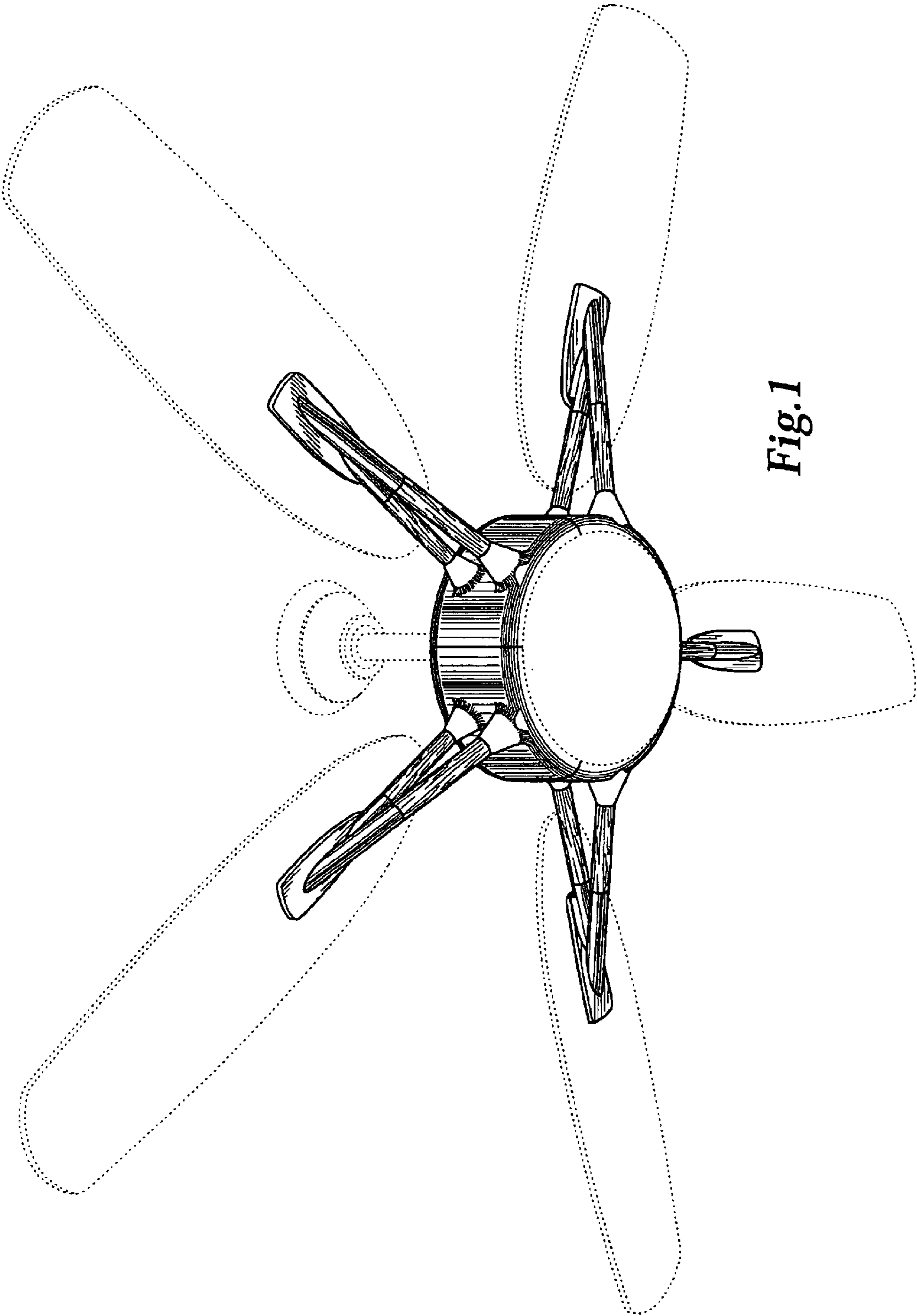
\* cited by examiner

The broken lines showing environmental structure are for illustrative purposes and form no part of the claimed design.

*Primary Examiner*—Lisa Lichtenstein  
(74) *Attorney, Agent, or Firm*—Baker McKenzie LLP

**1 Claim, 5 Drawing Sheets**





**Fig. 1**

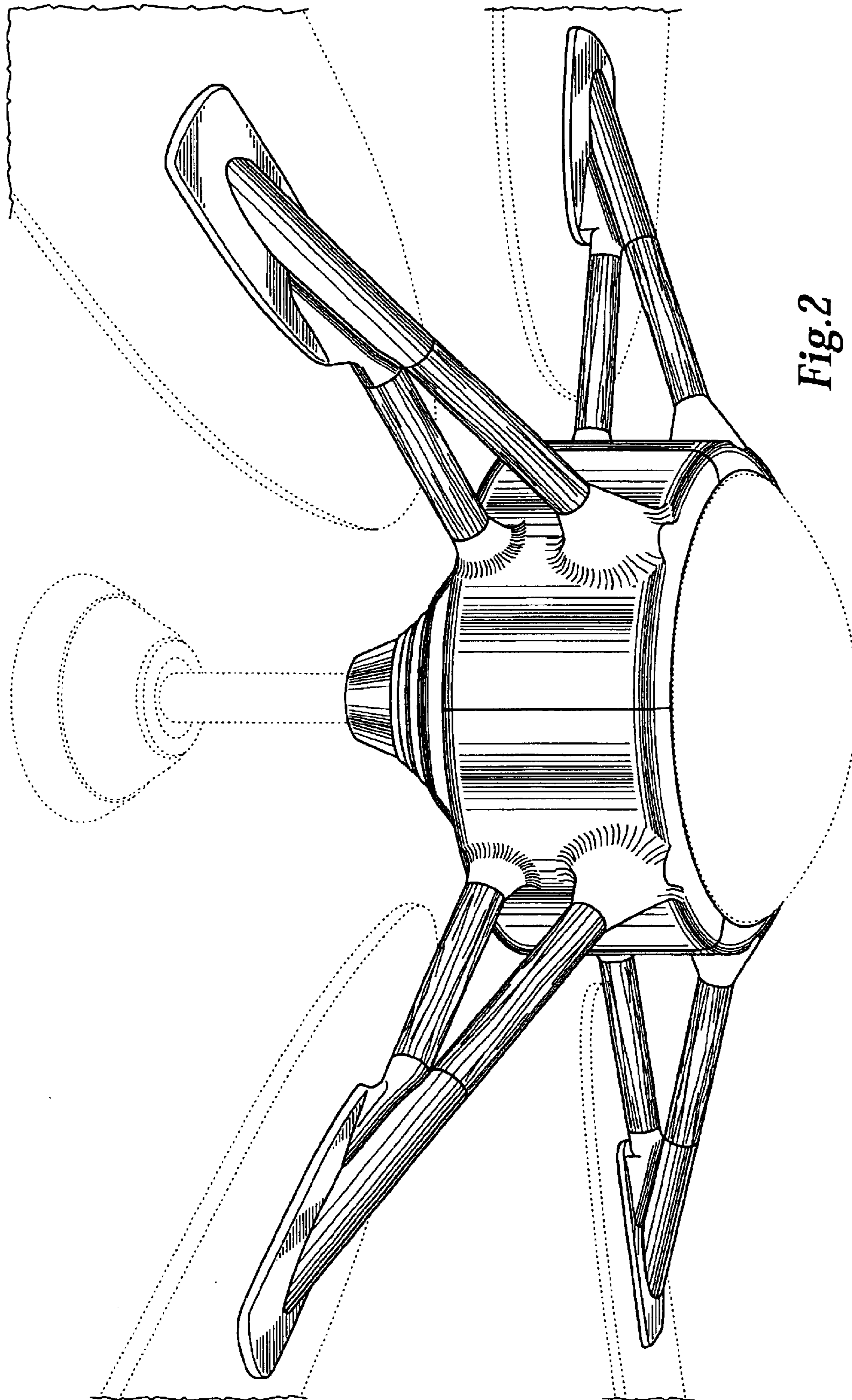
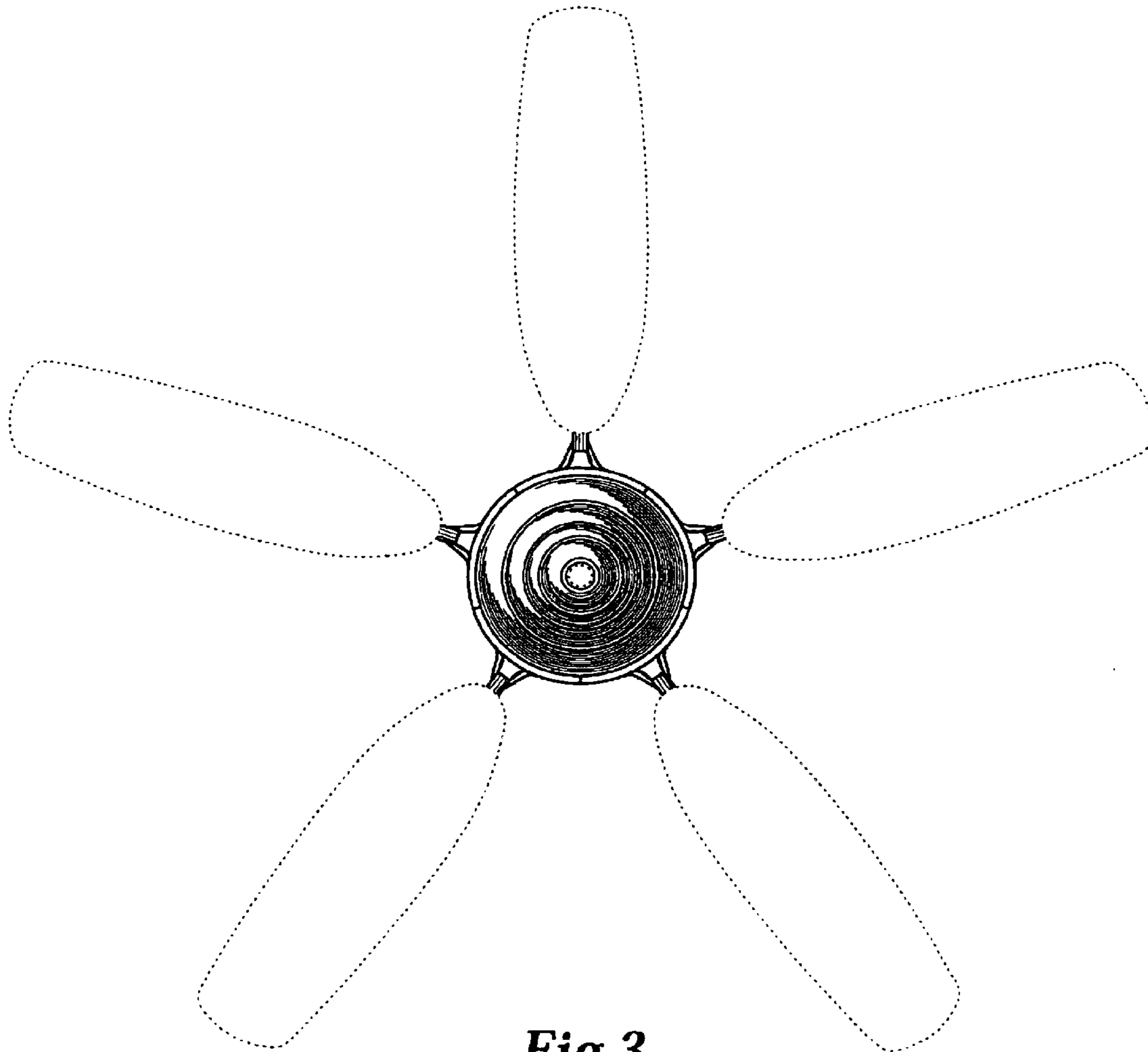
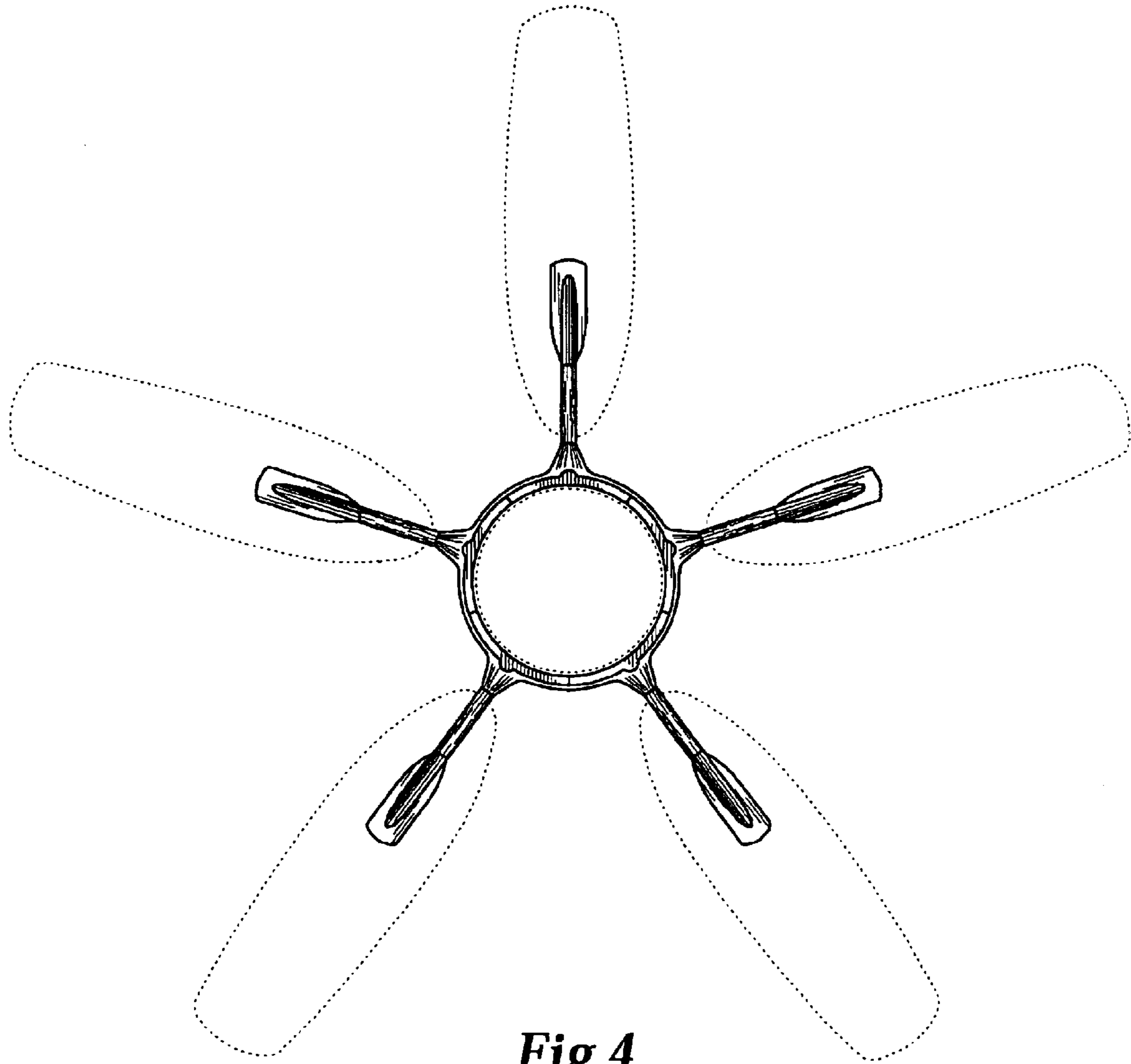


Fig. 2



*Fig.3*



**Fig. 4**

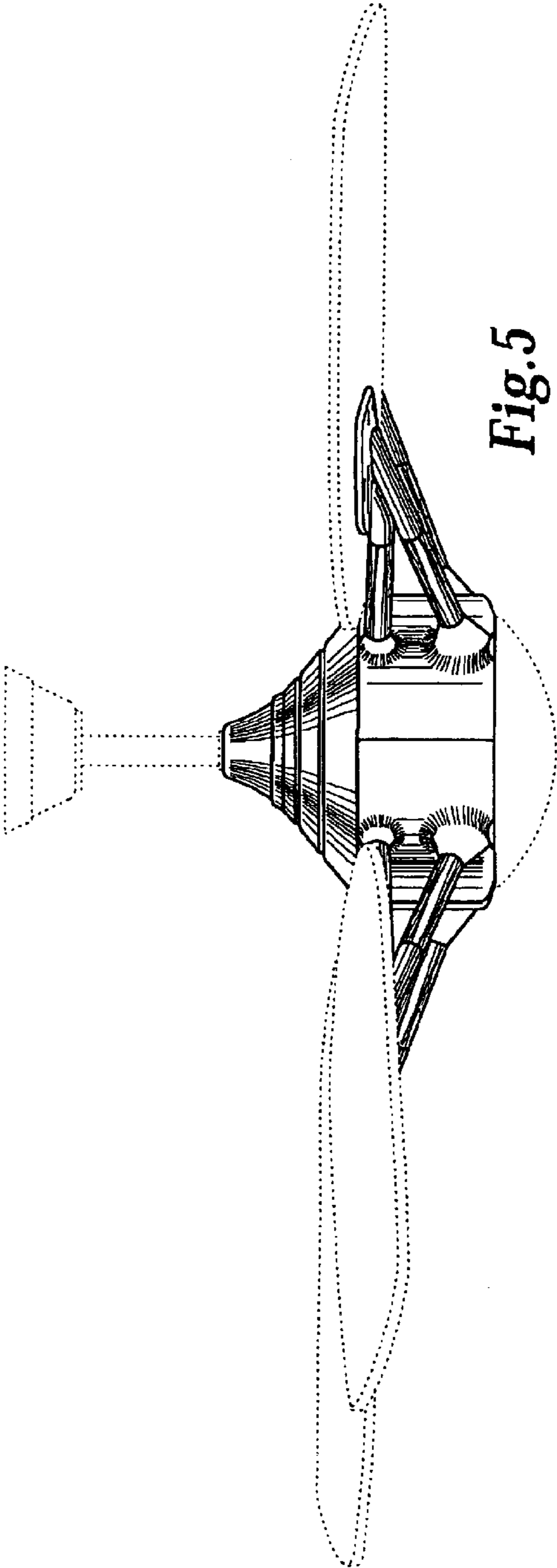


Fig. 5

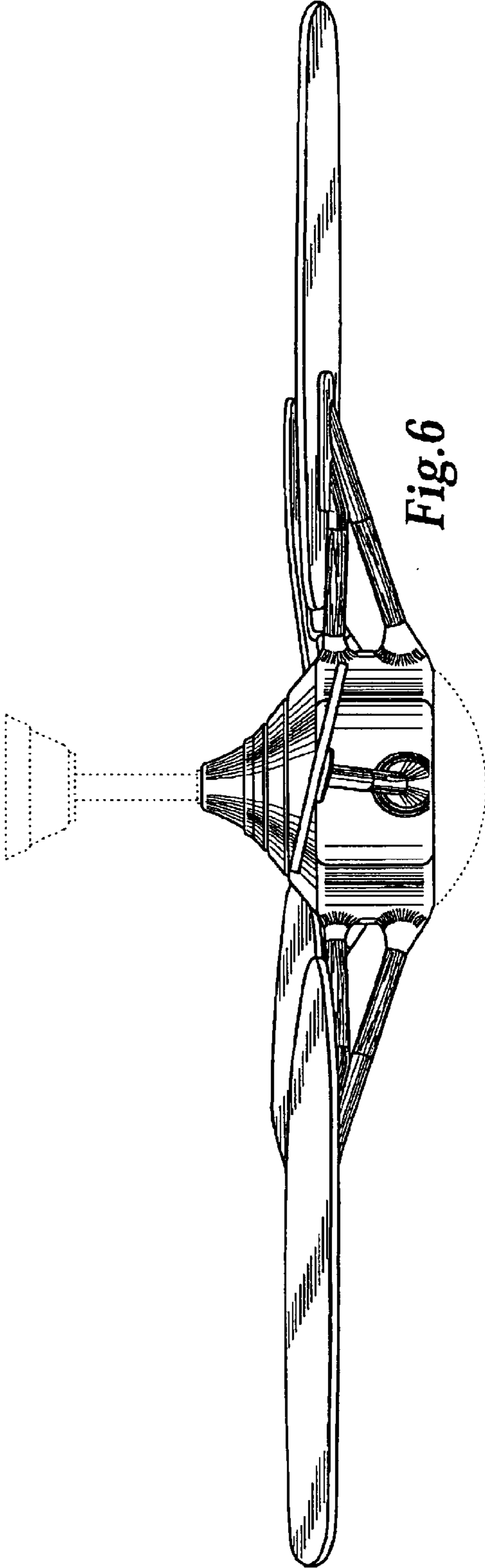


Fig. 6