

US00D508984S

(12) **United States Design Patent**
Gordon

(10) **Patent No.: US D508,984 S**

(45) **Date of Patent: ** Aug. 30, 2005**

(54) **SINK**

(75) **Inventor: William F. Gordon, Sheboygan Falls, WI (US)**

(73) **Assignee: Kohler Co., Kohler, WI (US)**

(**) **Term: 14 Years**

(21) **Appl. No.: 29/219,095**

(22) **Filed: Dec. 13, 2004**

Related U.S. Application Data

(62) **Division of application No. 29/201,906, filed on Mar. 23, 2004, now Pat. No. Des. 501,541.**

(51) **LOC (8) Cl. 23-02**

(52) **U.S. Cl. D23/293.1**

(58) **Field of Search D23/270-273, D23/284-285, 289, 292-293.1, 303, 308, 288; 4/662-666, 619, 643, 661, 650-652**

(56) **References Cited**

U.S. PATENT DOCUMENTS

D353,652 S	12/1994	Dannenberg	D23/293.1
D463,538 S	9/2002	Chipperfield	D23/284
D484,956 S	1/2004	Rachiele	D23/293.1
D492,983 S	7/2004	Rachiele	D23/293.1

OTHER PUBLICATIONS

2000 Kohler catalog ad, p. 16.20, showing a “Dickinson” kitchen sink.
2000 Kohler catalog ad, p. 14.5, showing a “Bateau” lavatory.

2000 Kohler catalog ad, p. 16.60, showing a “Lyric” kitchen sink.

May 2003 Kohler catalog ad, p. 42, showing a “Verse” single basin kitchen sink.

2001 Kallista catalog ad, p. 2.32, showing a “Michael Smith Loft” kitchen sink.

Primary Examiner—Robert A. Delehanty

(74) *Attorney, Agent, or Firm*—Quarles & Brady, LLP

(57) **CLAIM**

The ornamental design for a sink, as shown and described.

DESCRIPTION

FIG. 1 is a left, top, front perspective view of a sink embodying my new design;

FIG. 2 is a top plan view thereof;

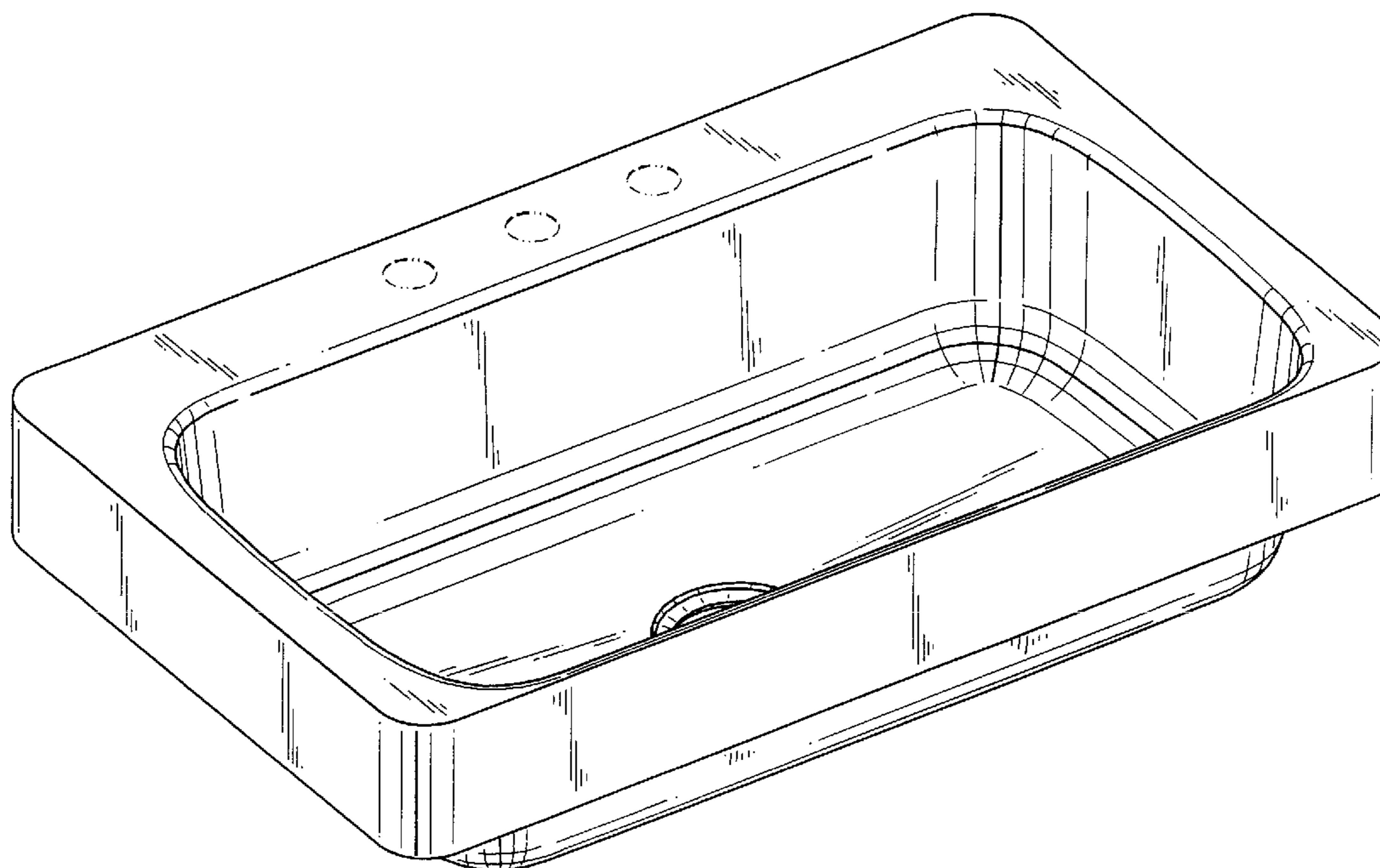
FIG. 3 is a front elevational view thereof, the rear elevational view thereof being identical to the front elevational view shown;

FIG. 4 is a left side elevational view thereof, the right side elevational view thereof being a mirror image of the left side shown; and,

FIG. 5 is a bottom plan view thereof.

The broken line representations of holes in FIGS. 1, 2, and 5 are for the purpose of illustration only, and form no part of the claimed design.

1 Claim, 3 Drawing Sheets



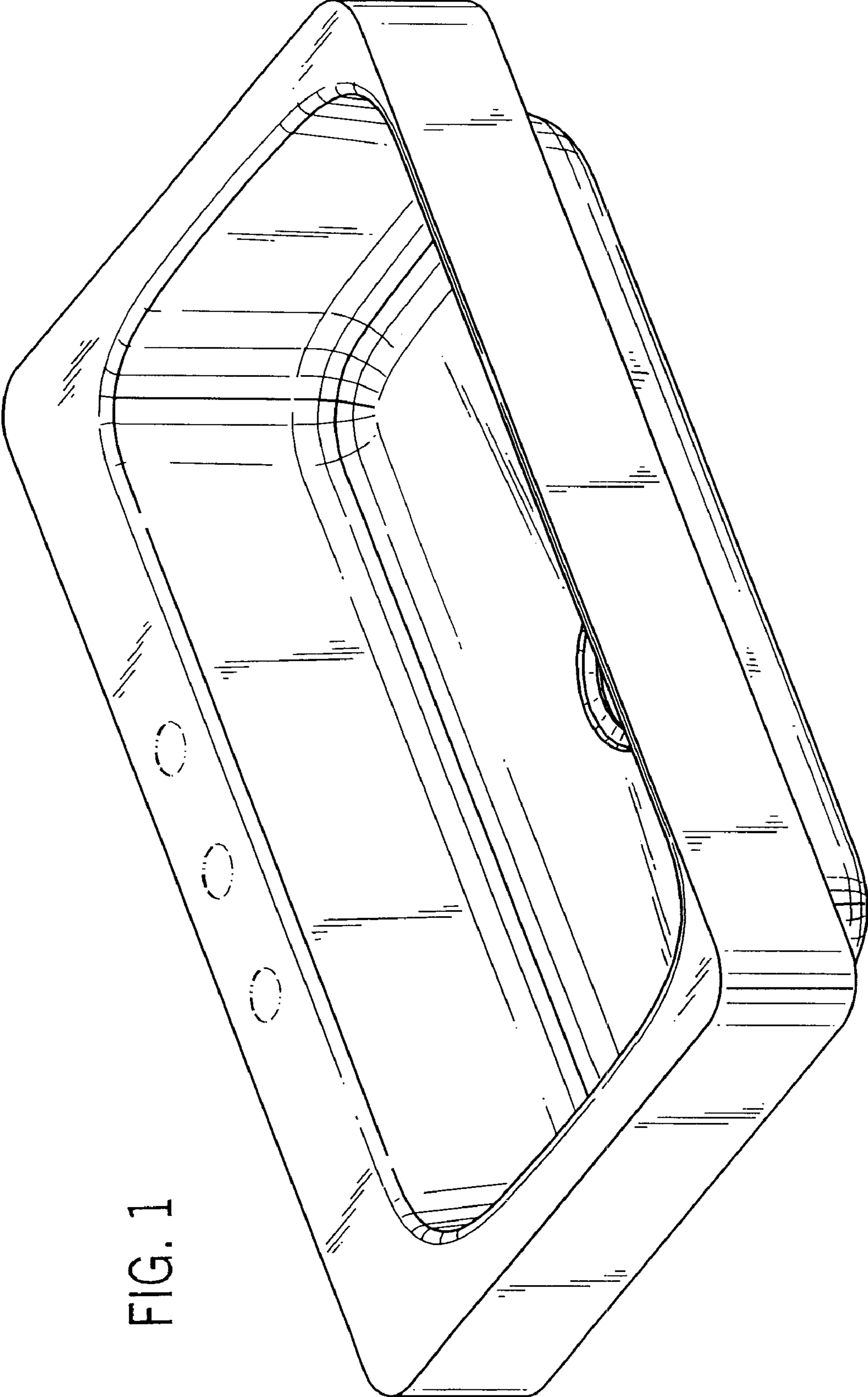


FIG. 1

FIG. 2

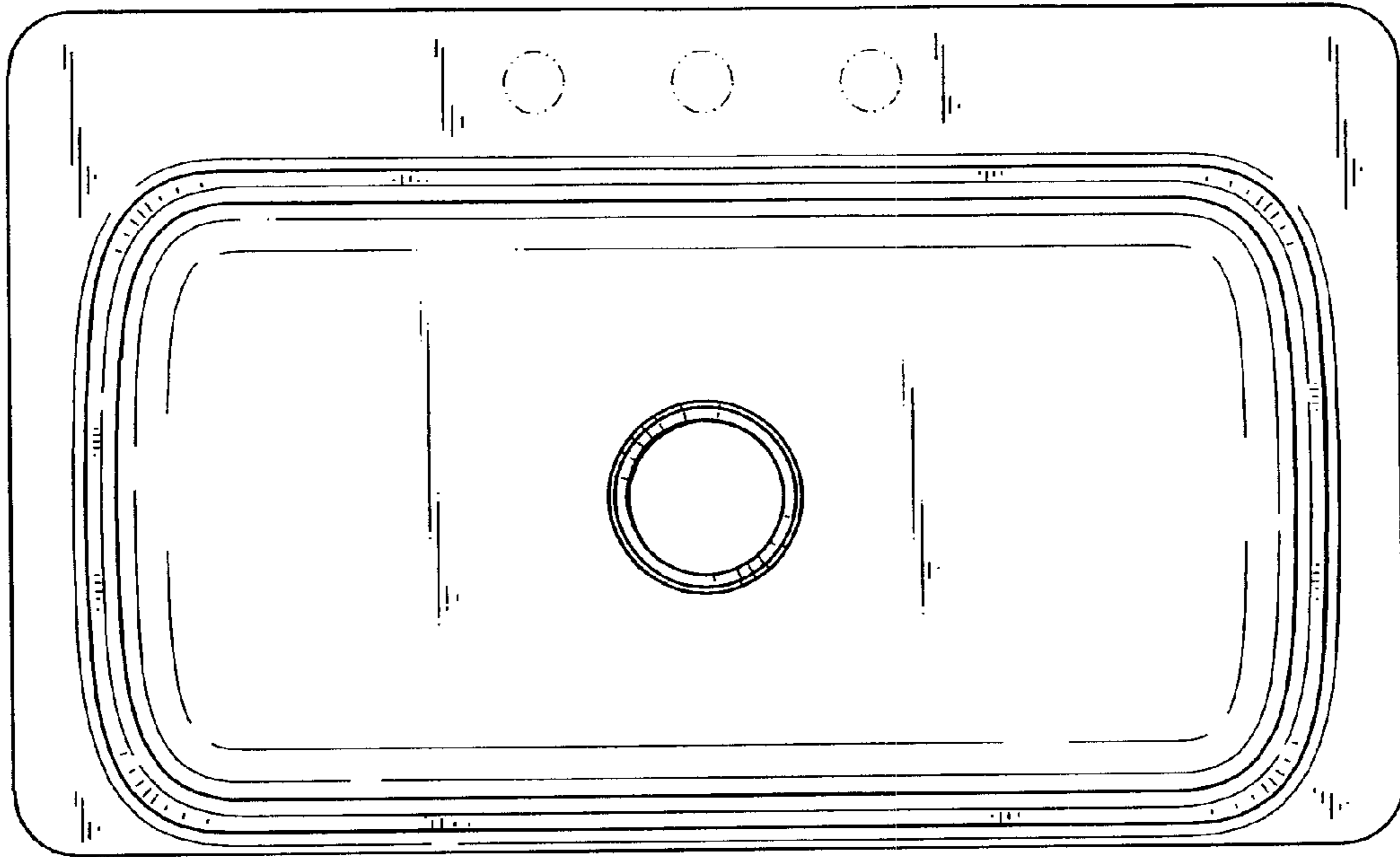


FIG. 3

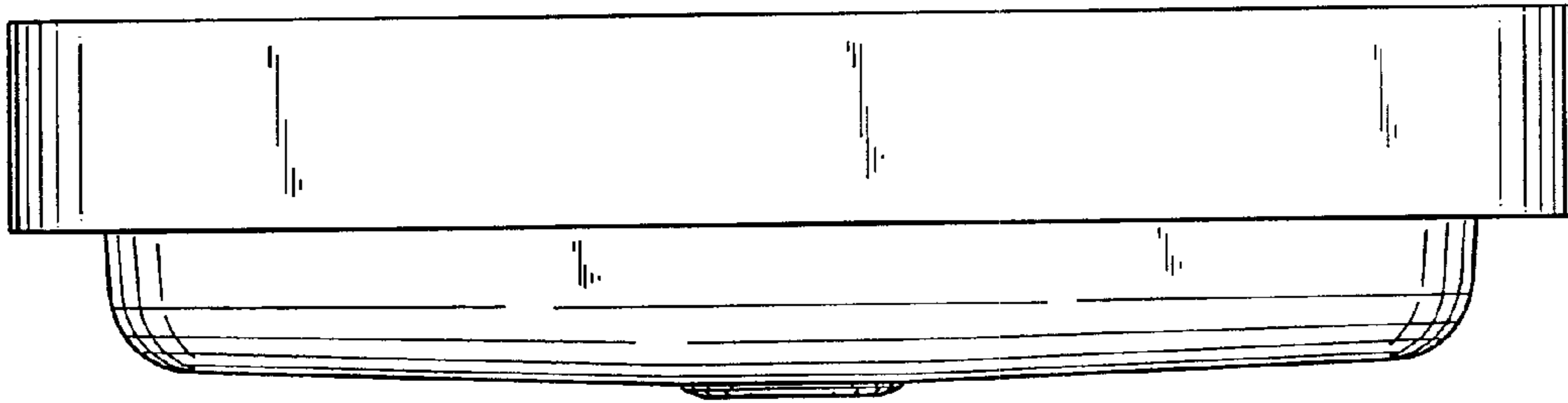


FIG. 4

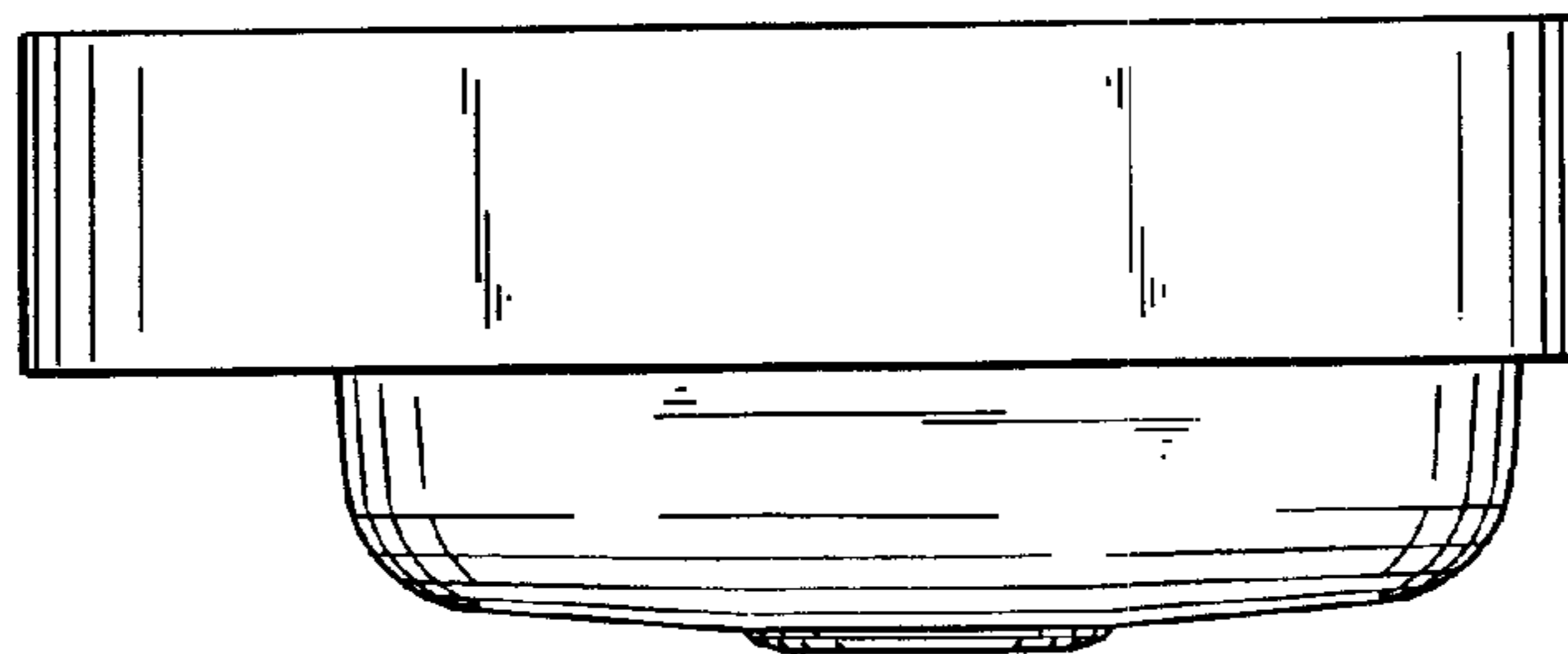


FIG. 5

