

US00D508983S

(12) **United States Design Patent** (10) **Patent No.:** **US D508,983 S**
Piatt (45) **Date of Patent:** **** *Aug. 30, 2005**

- (54) **LAVATORY**
- (75) **Inventor:** **James M. Piatt**, Sheboygan Falls, WI (US)
- (73) **Assignee:** **Kohler Co.**, Kohler, WI (US)
- (*) **Notice:** This patent is subject to a terminal disclaimer.
- (**) **Term:** **14 Years**

D332,829 S	1/1993	Belfor	D23/292
D356,148 S	3/1995	Kohler, Jr. et al.	D23/293.1
5,628,484 A	5/1997	Lechuga	4/594
D423,653 S	4/2000	Svendsen	D23/293.1
D430,274 S	8/2000	Marshall	D23/284
D436,656 S	1/2001	McKeone	D23/293.1
D446,288 S	8/2001	McKeone et al.	D23/293.1
6,276,648 B1	8/2001	Katz et al.	4/648
6,363,547 B1	4/2002	Perry	4/614
D461,881 S	8/2002	McKeone	D23/293.1
D463,538 S	9/2002	Chipperfield	D23/284

- (21) **Appl. No.:** **29/212,272**
- (22) **Filed:** **Aug. 30, 2004**

Related U.S. Application Data

- (60) Division of application No. 29/190,329, filed on Sep. 18, 2003, now Pat. No. Des. 497,416, which is a division of application No. 29/158,620, filed on Apr. 4, 2002, now Pat. No. Des. 482,434, which is a continuation-in-part of application No. 29/153,936, filed on Oct. 26, 2001, now Pat. No. Des. 473,293.
- (51) **LOC (8) Cl.** **23-02**
- (52) **U.S. Cl.** **D23/293.1**
- (58) **Field of Search** D23/270-274, D23/283-284, 286-287, 291-292, 293.1, 303, 304-308; 4/553, 557-558, 596-604, 612-614, 619, 622, 629-630, 633, 638, 650-651, 660

(56) **References Cited**

U.S. PATENT DOCUMENTS

450,895 A	4/1891	Shattuck	D23/293.1
998,742 A	7/1911	Berkley	4/652 X
2,389,724 A	11/1945	Falco	D23/283 X
3,376,583 A	4/1968	Frey	4/638 X
D218,031 S	7/1970	Wheeler, Jr.	D23/308
3,578,737 A	5/1971	Ruggles et al.	4/631
3,579,661 A	5/1971	Lien	4/651 X
D232,638 S	9/1974	Mather	D23/284
D236,204 S	8/1975	Cooper	D23/308 X
4,086,669 A	5/1978	Combis	4/622
D298,452 S	11/1988	Carter	D23/293.1

OTHER PUBLICATIONS

1999 Kohler catalog ad, p. 16.13, showing an "Interlace" kitchen sink.
 1999 Kohler catalog ad, p. 16.55, showing a K-3340 "Undertone" sink.
 1998 Kohler catalog ad, p. 8-25, showing a "Jamestown" lavatory.
 1999 Kohler catalog ad, p. 14.9, showing a "Folio" lavatory.
 2000 Kohler catalog ad, p. 11.23, showing "Memoirs" shower receptors.

Primary Examiner—Robert A. Delehanty
 (74) *Attorney, Agent, or Firm*—Quarles & Brady LLP

(57) **CLAIM**

The ornamental design for a lavatory, as shown and described.

DESCRIPTION

In preferred embodiment, the nature of this product is as a plumbing fixture in the form of a lavatory which is primarily useful for washing the body parts of humans.
 FIG. 1 is a left, top, front perspective view of a lavatory embodying my new design;
 FIG. 2 is a top plan view thereof;
 FIG. 3 is a front elevational view thereof; and
 FIG. 4 is a left side elevational view thereof, the right side elevational view thereof being a mirror image of the left side shown.
 The broken line representations of drains in the figures are for the purposes of illustration only, and form no part of the claimed design.

1 Claim, 1 Drawing Sheet

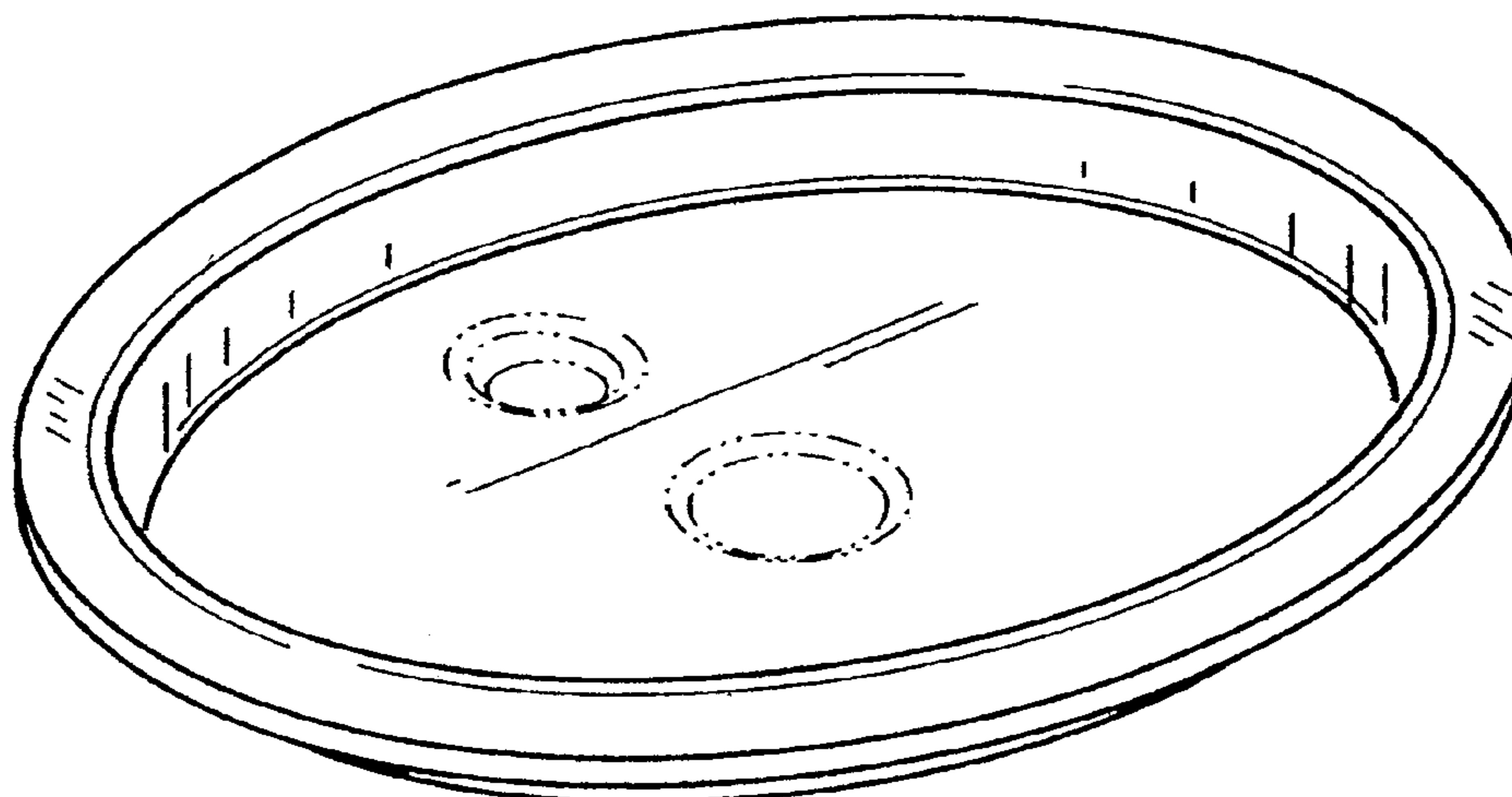


FIG. 1

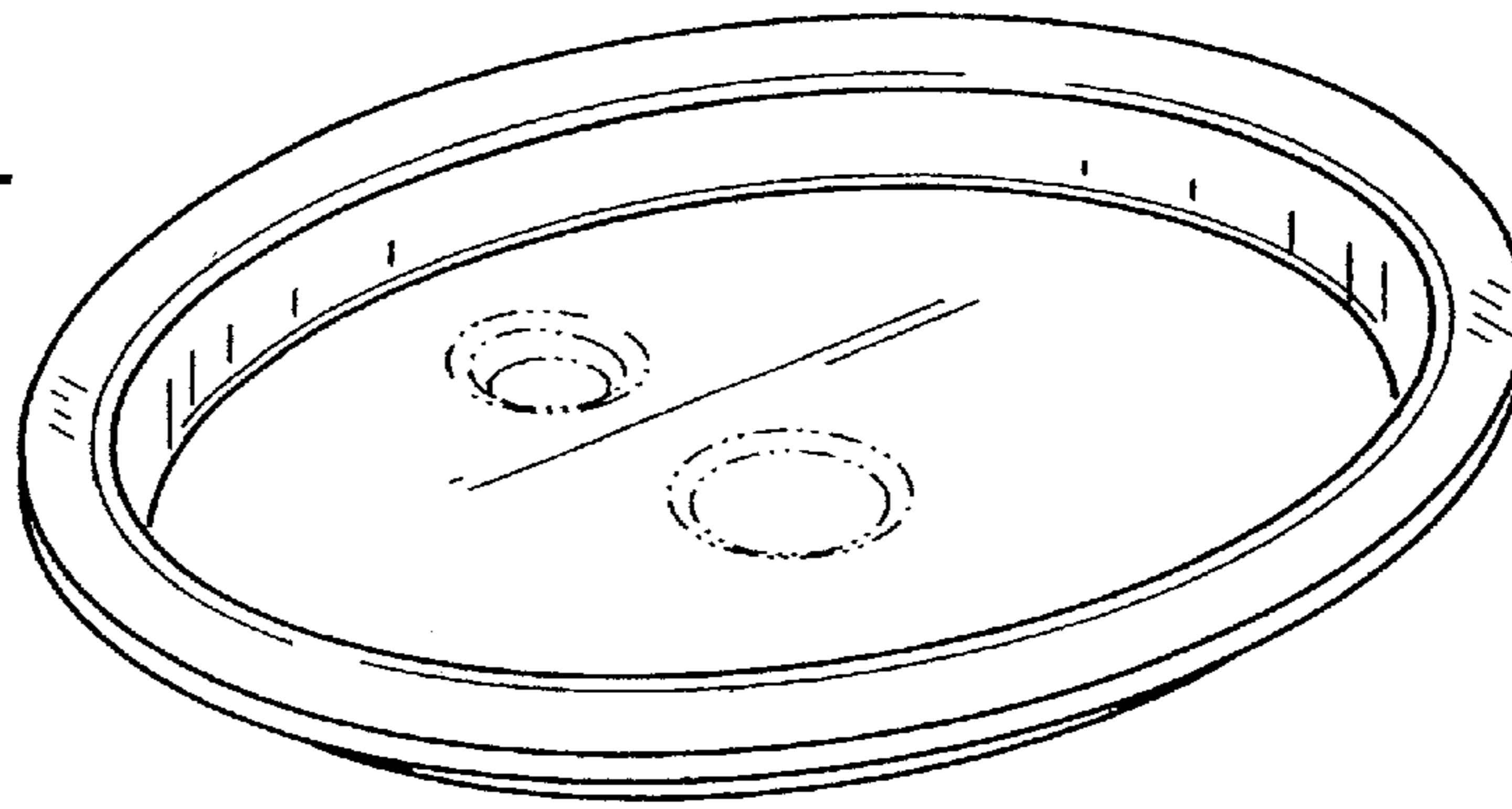


FIG. 2

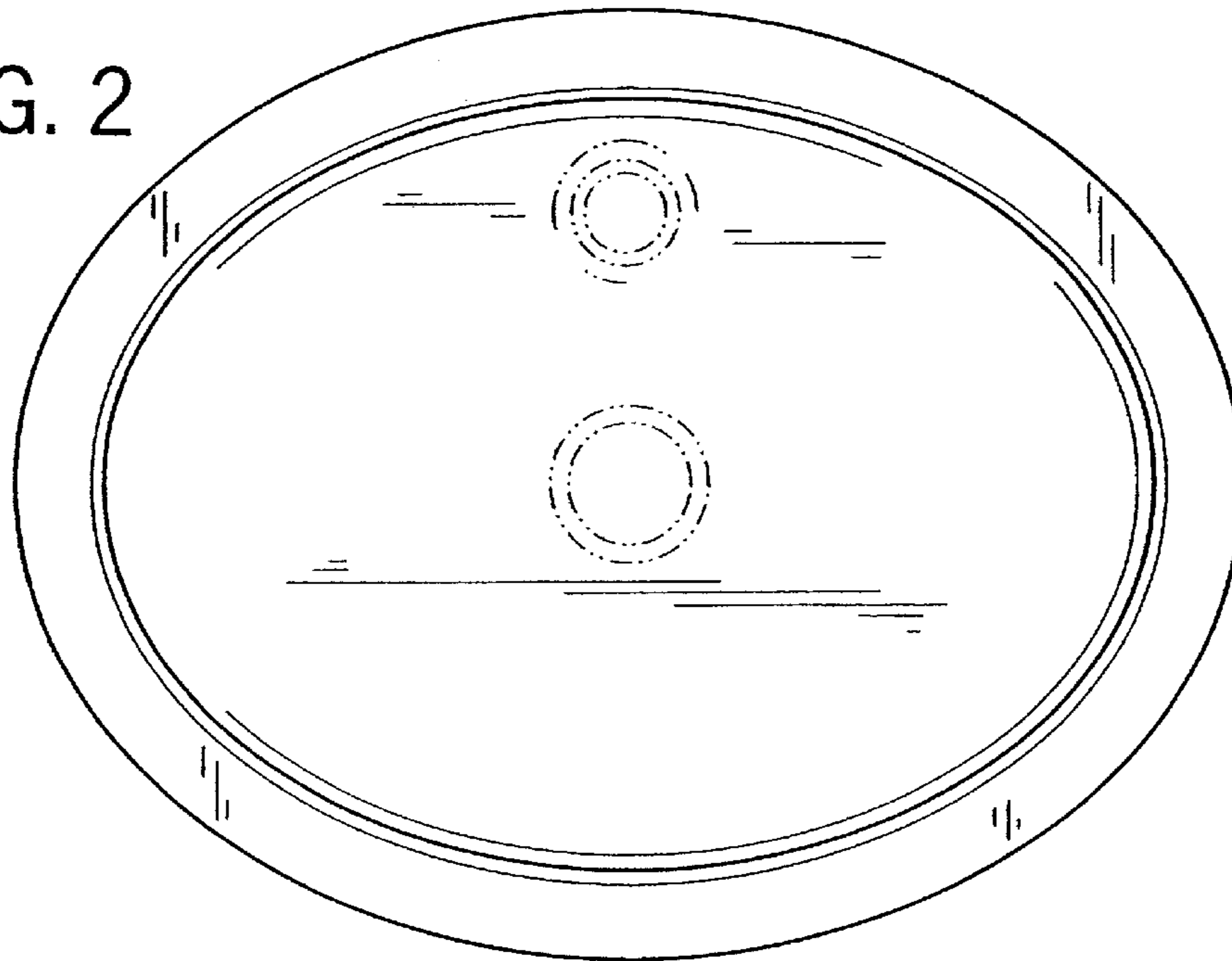


FIG. 3

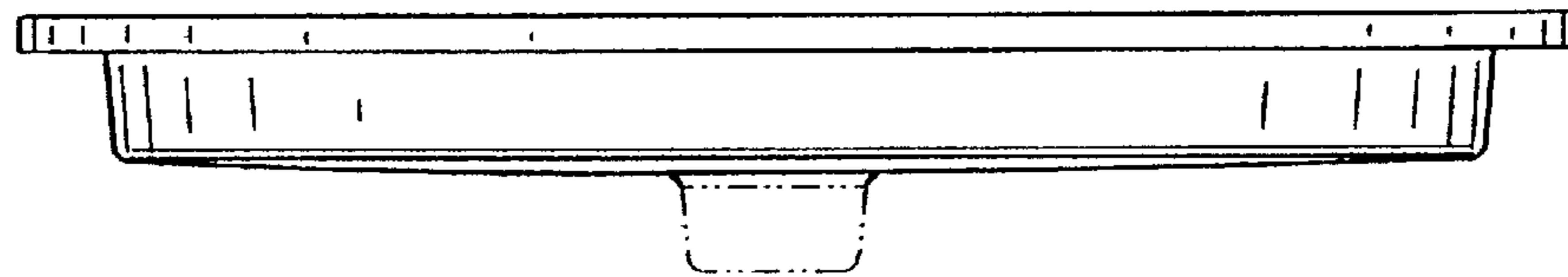


FIG. 4

