

US00D508981S

(12) **United States Design Patent**
Rindoks

(10) **Patent No.:** **US D508,981 S**

(45) **Date of Patent:** **** Aug. 30, 2005**

(54) **FUME HOOD CUP SINK**

(75) **Inventor:** **Kurt P. Rindoks**, Davidson, NC (US)

(73) **Assignee:** **Kewaunee Scientific Corporation**,
Statesville, NC (US)

(**) **Term:** **14 Years**

(21) **Appl. No.:** **29/201,275**

(22) **Filed:** **Mar. 12, 2004**

(51) **LOC (8) Cl.** **23-02**

(52) **U.S. Cl.** **D23/284; D23/386**

(58) **Field of Search** **D23/270-273,**
D23/284-293.1, 302-303, 308; 4/661-666,
619, 624; 454/49-67, 370

(56) **References Cited**

U.S. PATENT DOCUMENTS

4,102,254 A * 7/1978 Grant 454/63
4,283,999 A * 8/1981 Kearney 454/54

OTHER PUBLICATIONS

Sebastian spent-fix cup sink—model: SSCCS-1, Sebastian Darkroom Products, Lancaster PA, <http://www.sebastian-darkroomprod.com/techssccs1.htm>, Feb. 16, 2005, 2 pages.*

Cup Sink and Turret Kit, Labconco Corporation, Kansas City MO, <http://store.labconco.com/4852500.shtml>, Feb. 16, 2005, 1 page.*

* cited by examiner

Primary Examiner—Robert A. Delehanty

(74) *Attorney, Agent, or Firm*—Kennedy Covington Lobdell & Hickman, LLP

(57) **CLAIM**

The ornamental design for fume hood cup sink, as shown and described.

DESCRIPTION

FIG. 1 is a perspective view of a fume hood cup sink, showing my new design;

FIG. 2 is a right side view thereof;

FIG. 3 is a left side view thereof;

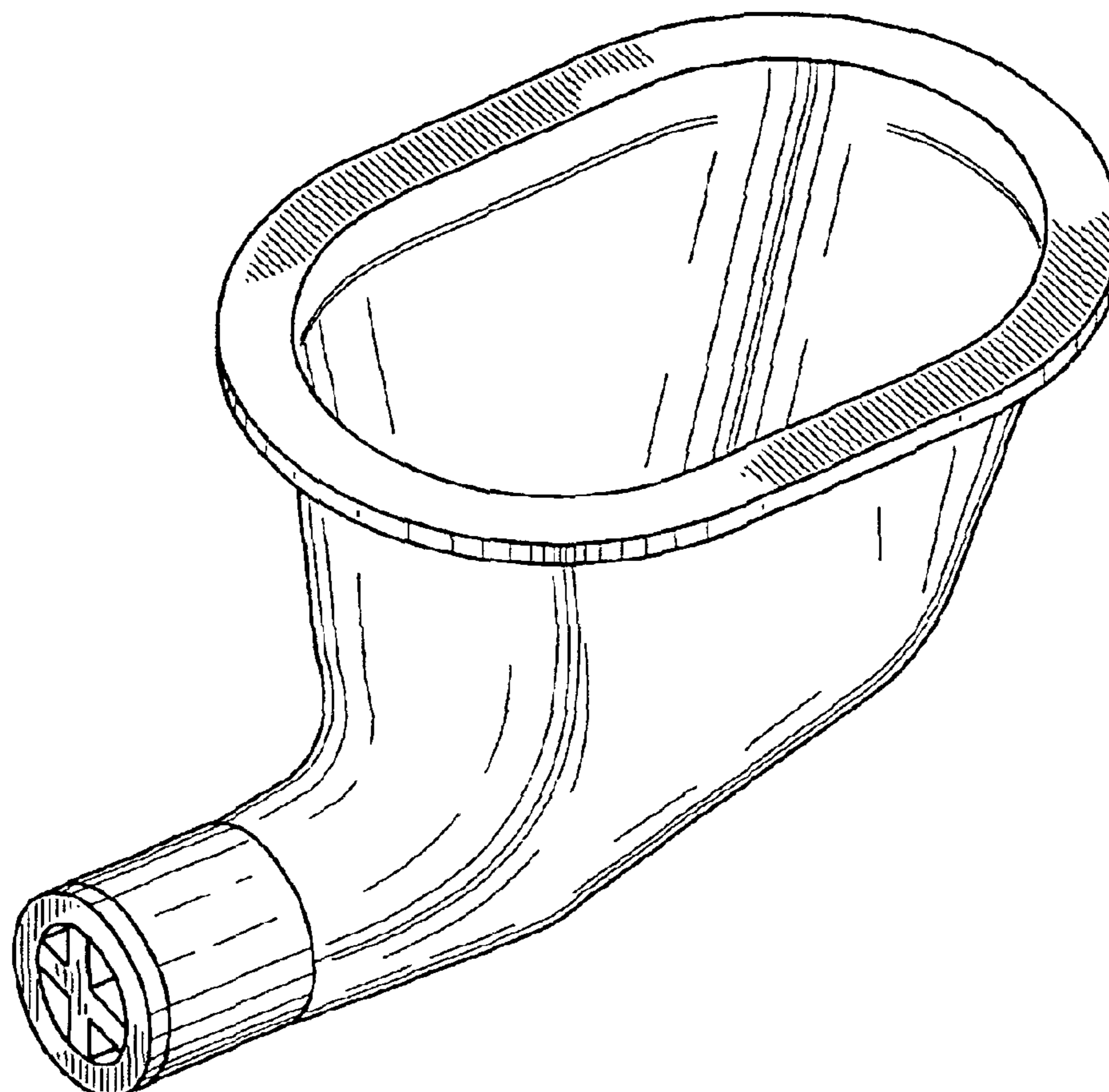
FIG. 4 is a top view thereof;

FIG. 5 is a bottom view thereof;

FIG. 6 is a front view thereof; and,

FIG. 7 is a back view thereof.

1 Claim, 3 Drawing Sheets



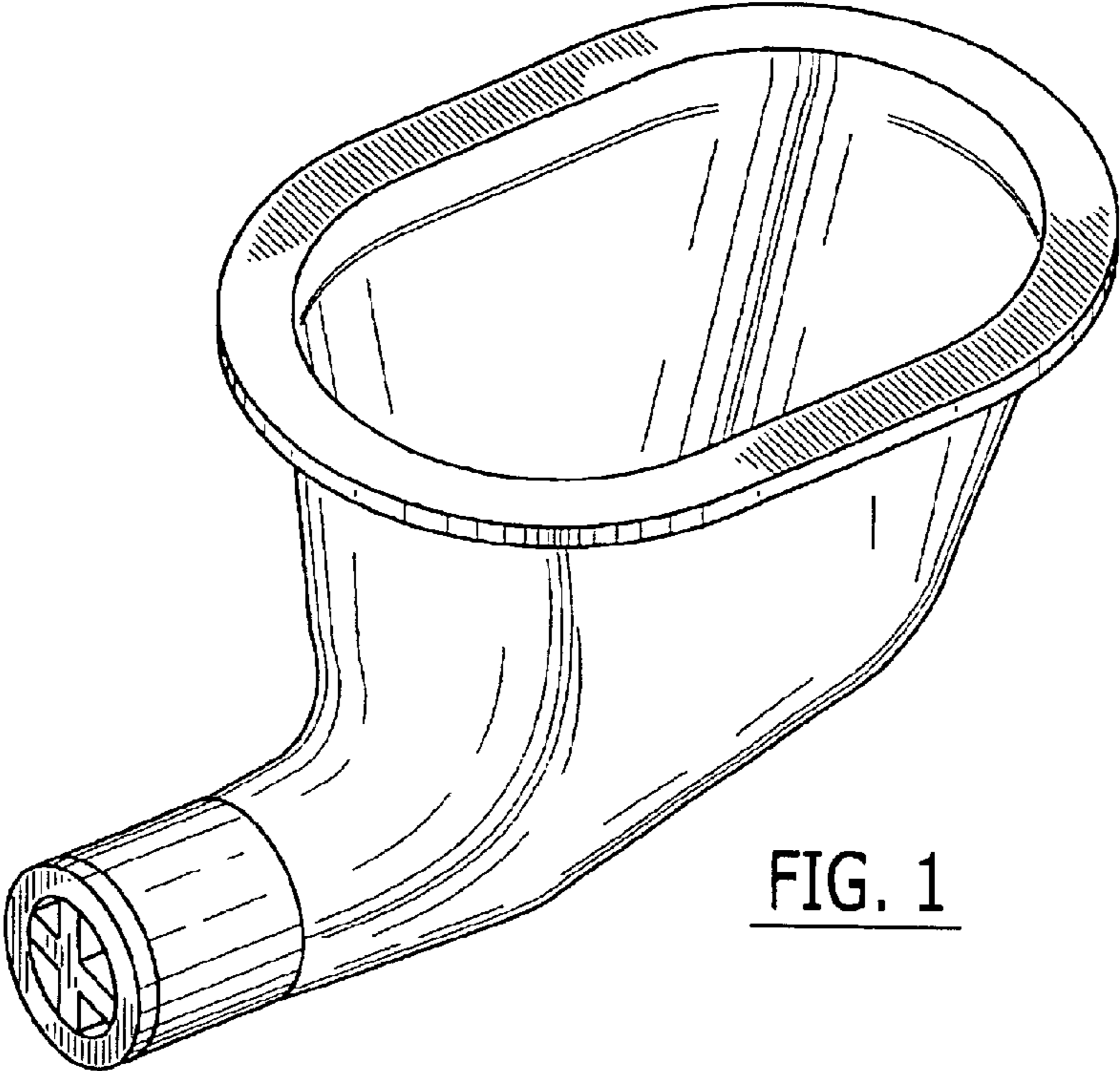


FIG. 1

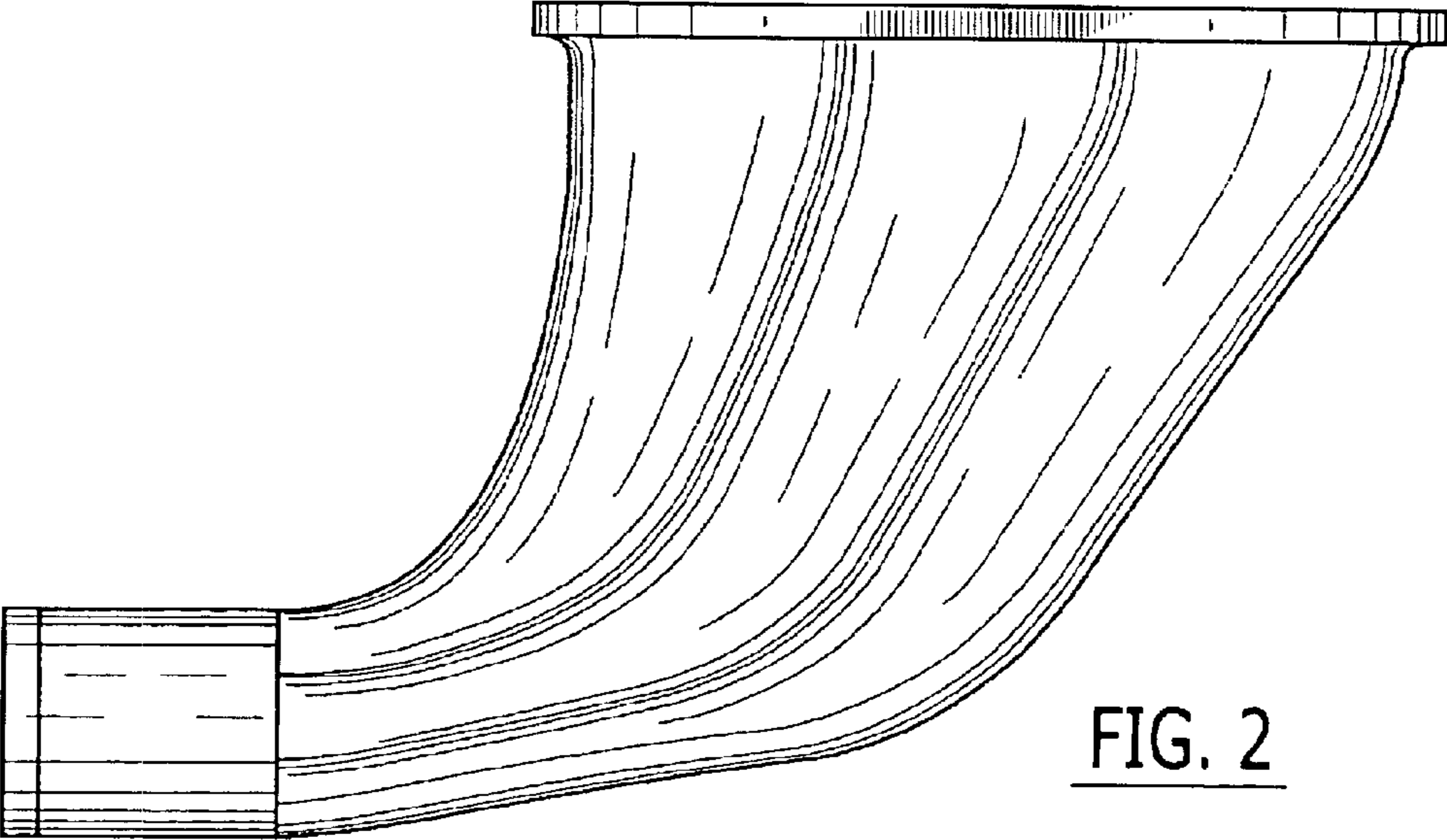


FIG. 2

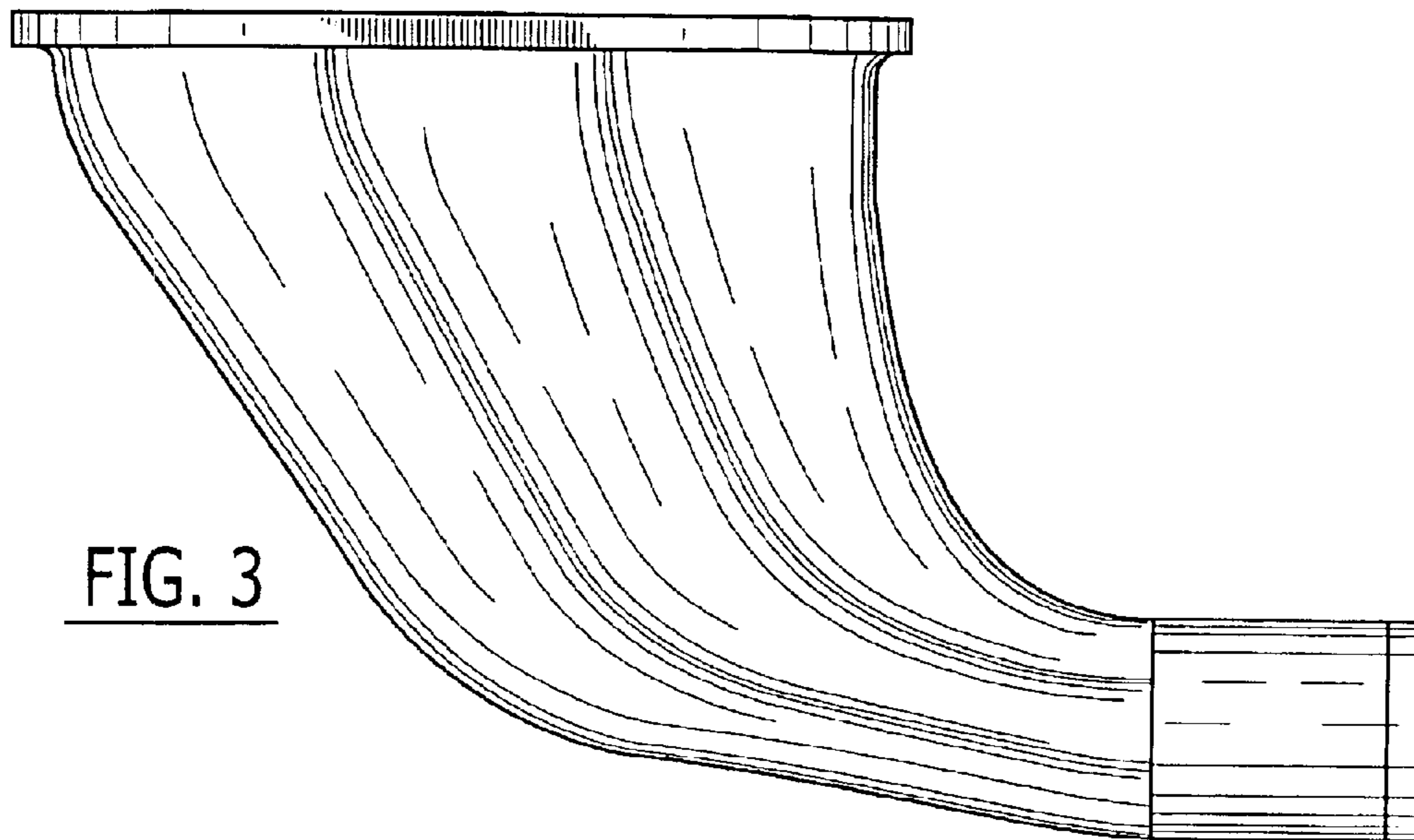


FIG. 3

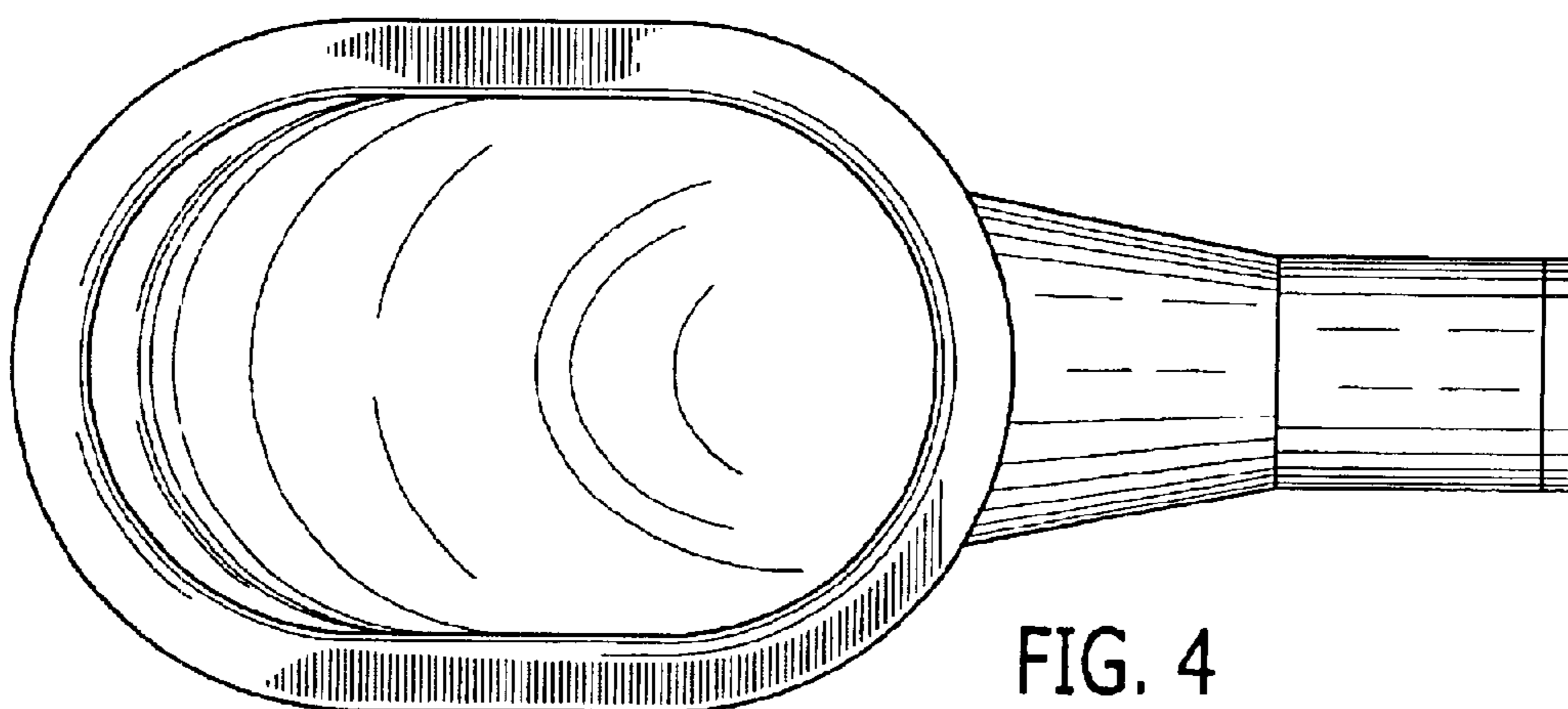


FIG. 4

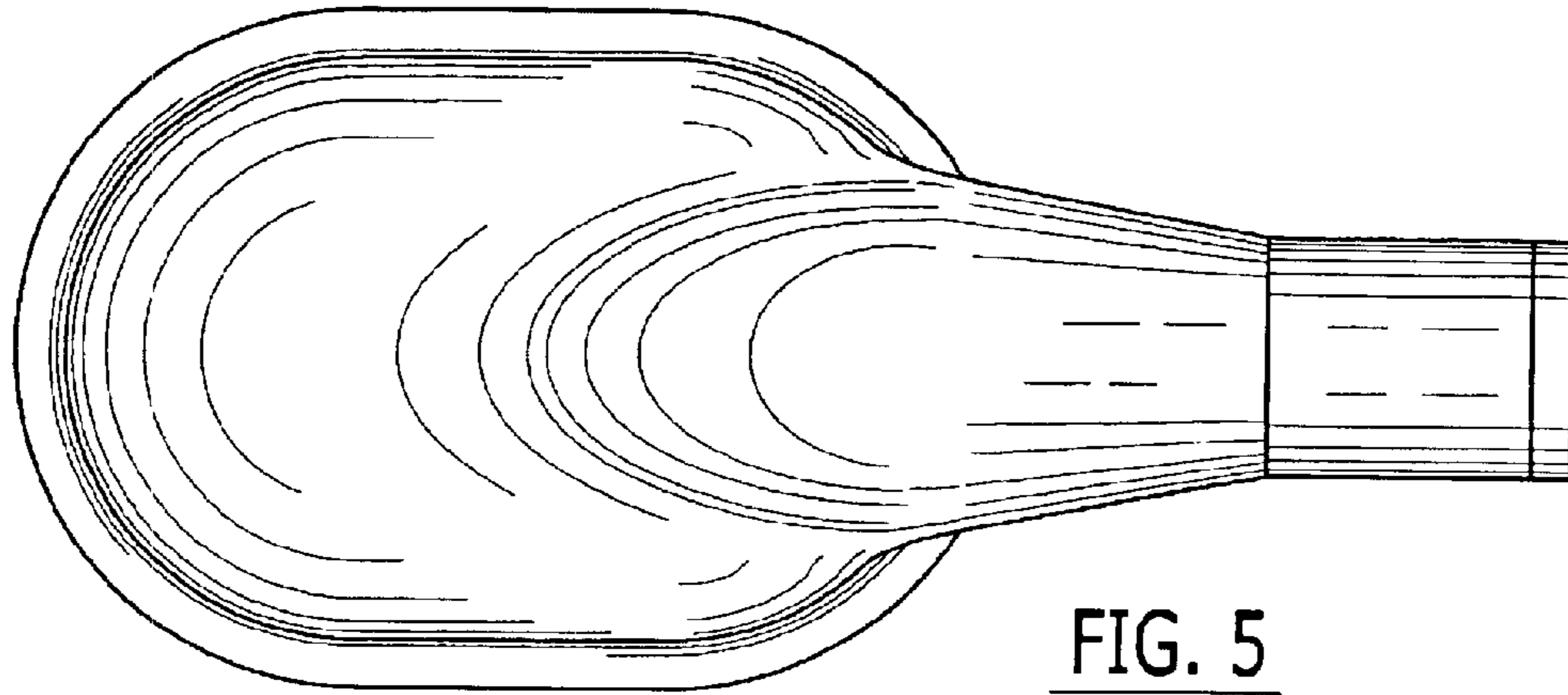


FIG. 5

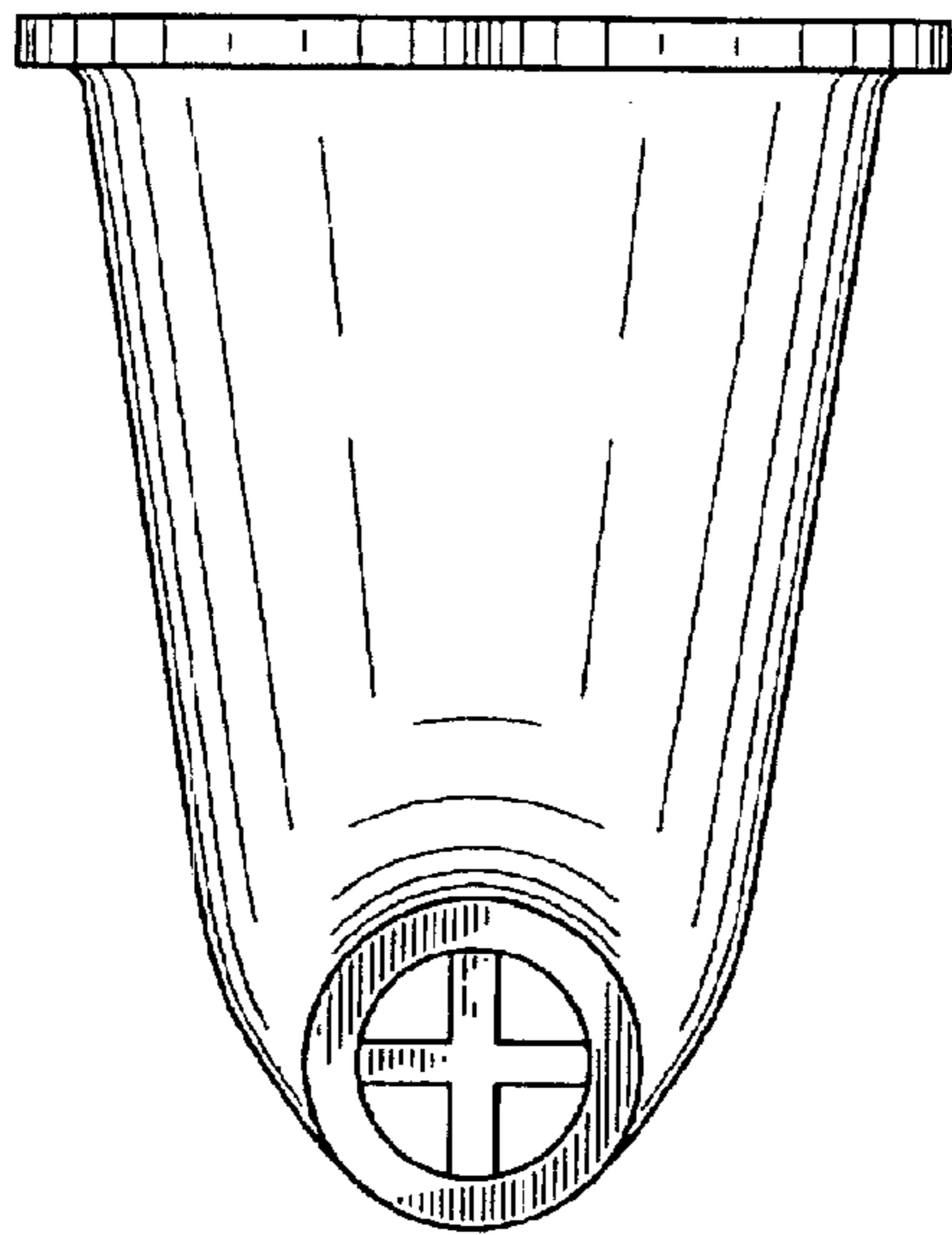


FIG. 6

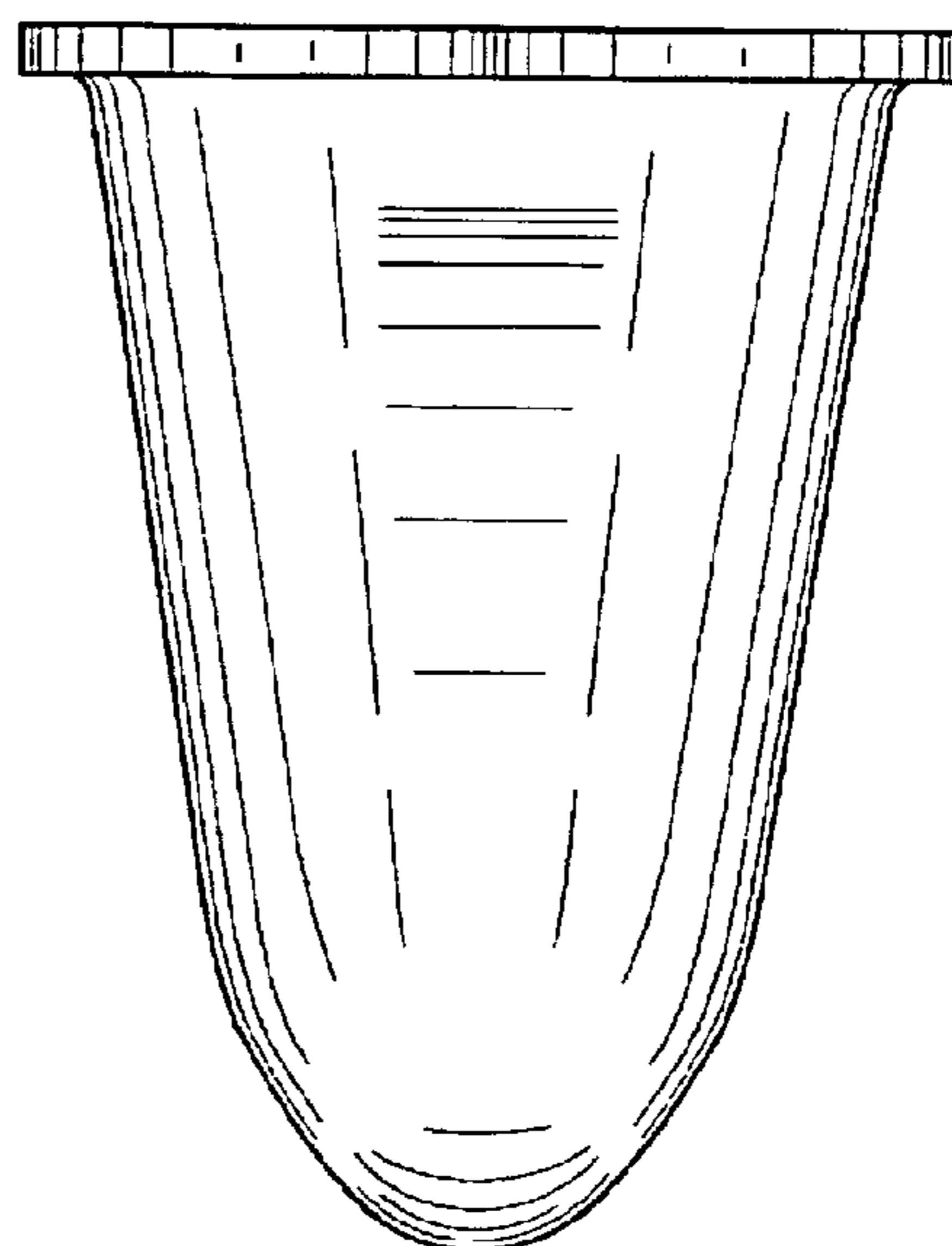


FIG. 7