



US00D508978S

(12) **United States Design Patent**
Otero

(10) **Patent No.:** **US D508,978 S**

(45) **Date of Patent:** **** Aug. 30, 2005**

(54) **SPOUT**

(75) **Inventor:** **Federico G. Otero, Carmel, IN (US)**

(73) **Assignee:** **Masco Corporation of Indiana, Indianapolis, IN (US)**

(**) **Term:** **14 Years**

(21) **Appl. No.:** **29/195,493**

(22) **Filed:** **Dec. 12, 2003**

(51) **LOC (8) Cl.** **23-01**

(52) **U.S. Cl.** **D23/255; D23/257**

(58) **Field of Search** **D23/238-257;**
4/675-678; 137/801

(56) **References Cited**

U.S. PATENT DOCUMENTS

D87,829 S	*	9/1932	Ferguson	D23/257
D101,443 S	*	10/1936	Dreyfuss	D23/255
D101,444 S	*	10/1936	Dreyfuss	D23/257
D171,572 S	*	3/1954	Baker	D23/241
D295,663 S	*	5/1988	Kohler et al.	D23/255
D317,350 S	*	6/1991	Freed	D23/257

D366,100 S	*	1/1996	Doughty et al.	D23/255
D463,536 S	*	9/2002	Lord	D23/257
D496,717 S	*	9/2004	Svensen et al.	D23/257

* cited by examiner

Primary Examiner—Louis Zarfaz

Assistant Examiner—Gregory Andoll

(74) *Attorney, Agent, or Firm*—Kwadjo Adusei-Poku; Lloyd D. Doigan

(57) **CLAIM**

The ornamental design for a spout, as shown and described.

DESCRIPTION

FIG. 1 is a front perspective view of a spout showing my design;

FIG. 2 is a right side elevational view thereof;

FIG. 3 is a front plan view thereof;

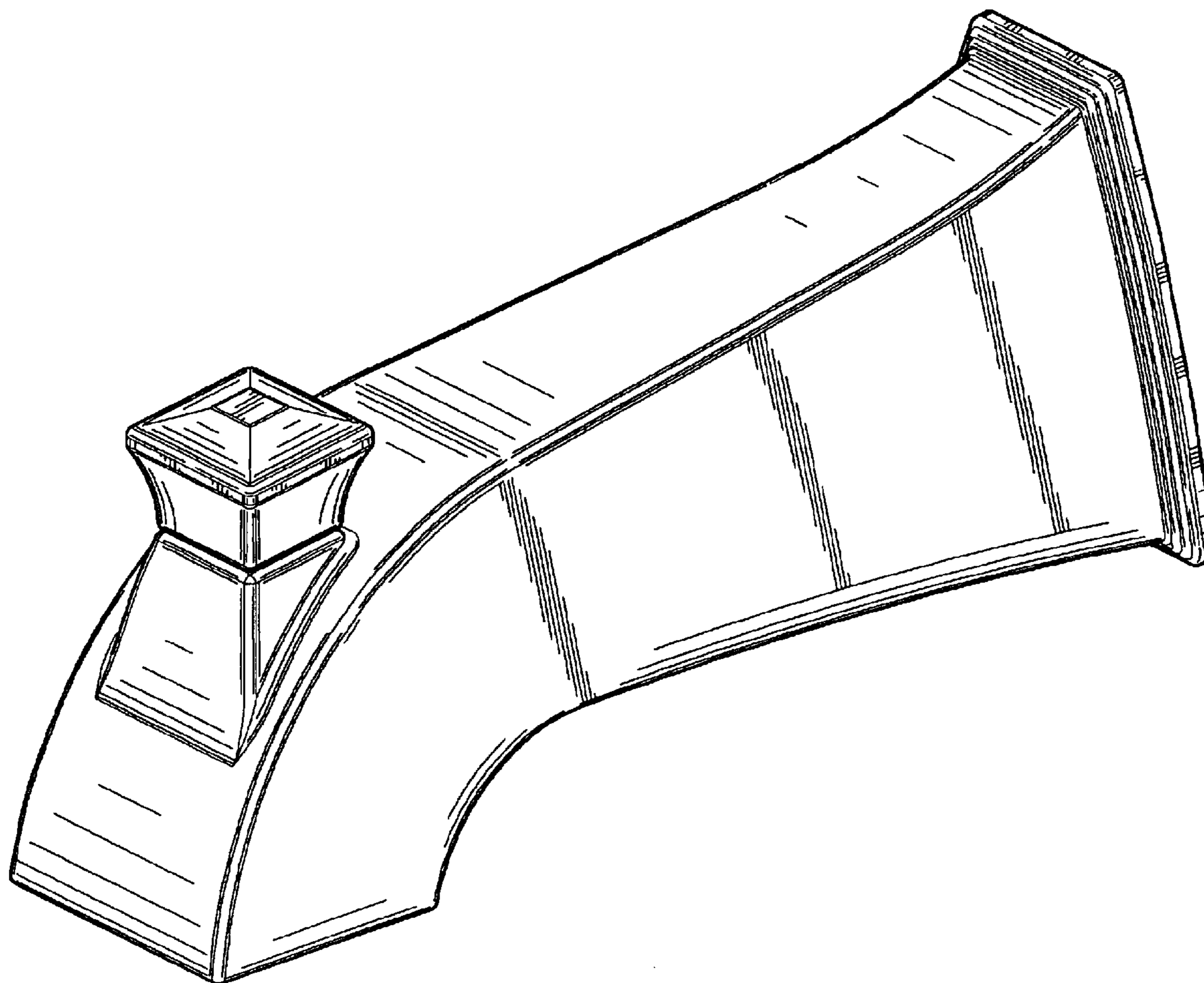
FIG. 4 is a left side elevational view thereof;

FIG. 5 is a top plan view thereof; and,

FIG. 6 is a bottom plan view thereof.

The broken lines in FIG. 6 are for illustrative purposes only and form no part of the claimed design.

1 Claim, 4 Drawing Sheets



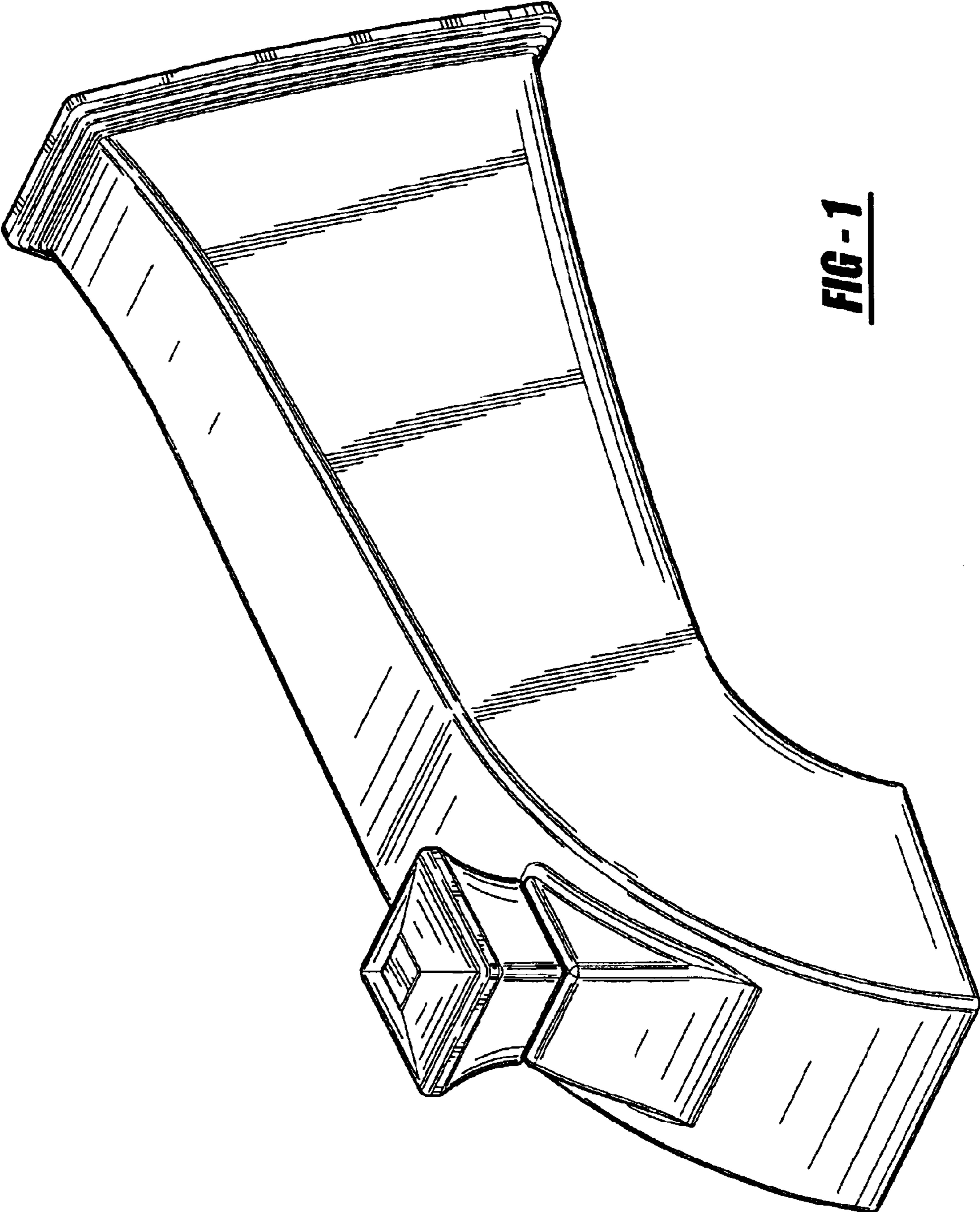


FIG - 1

FIG - 2

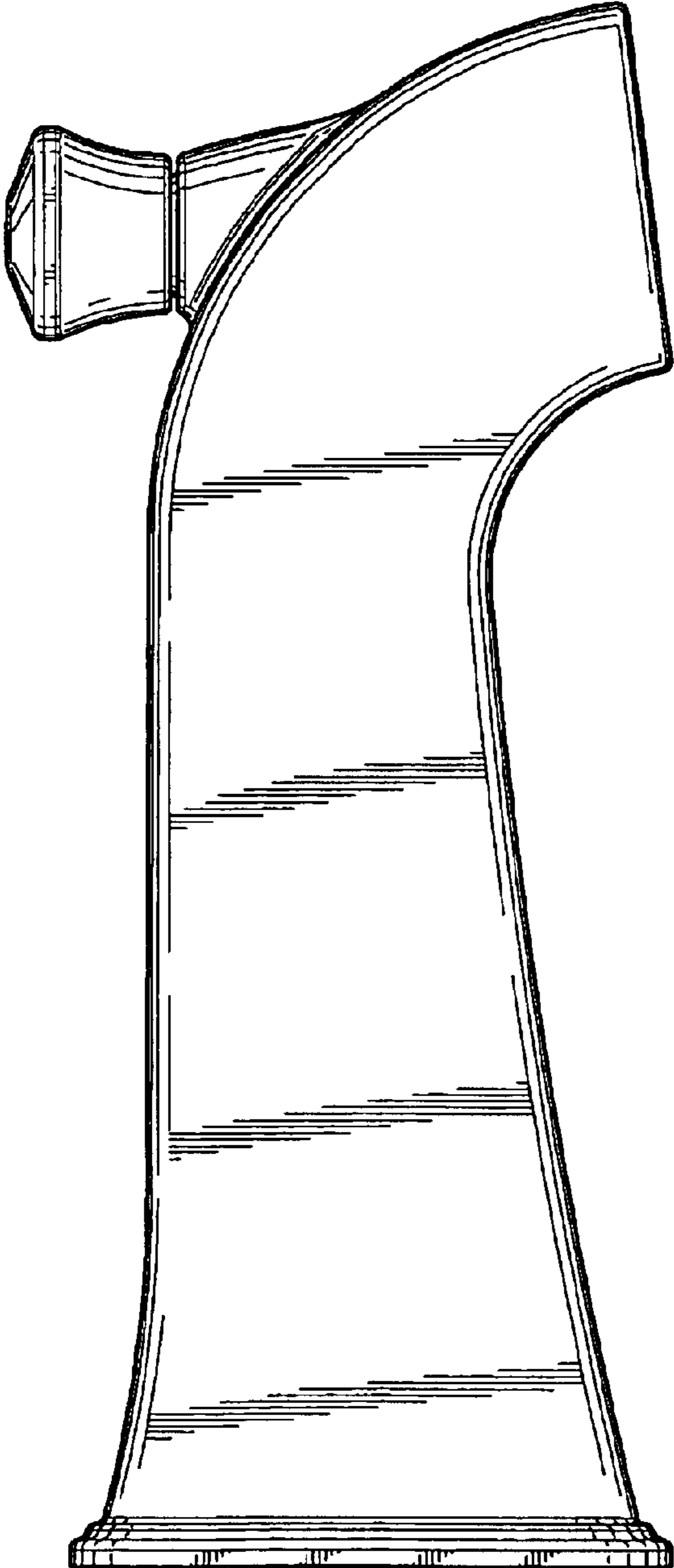
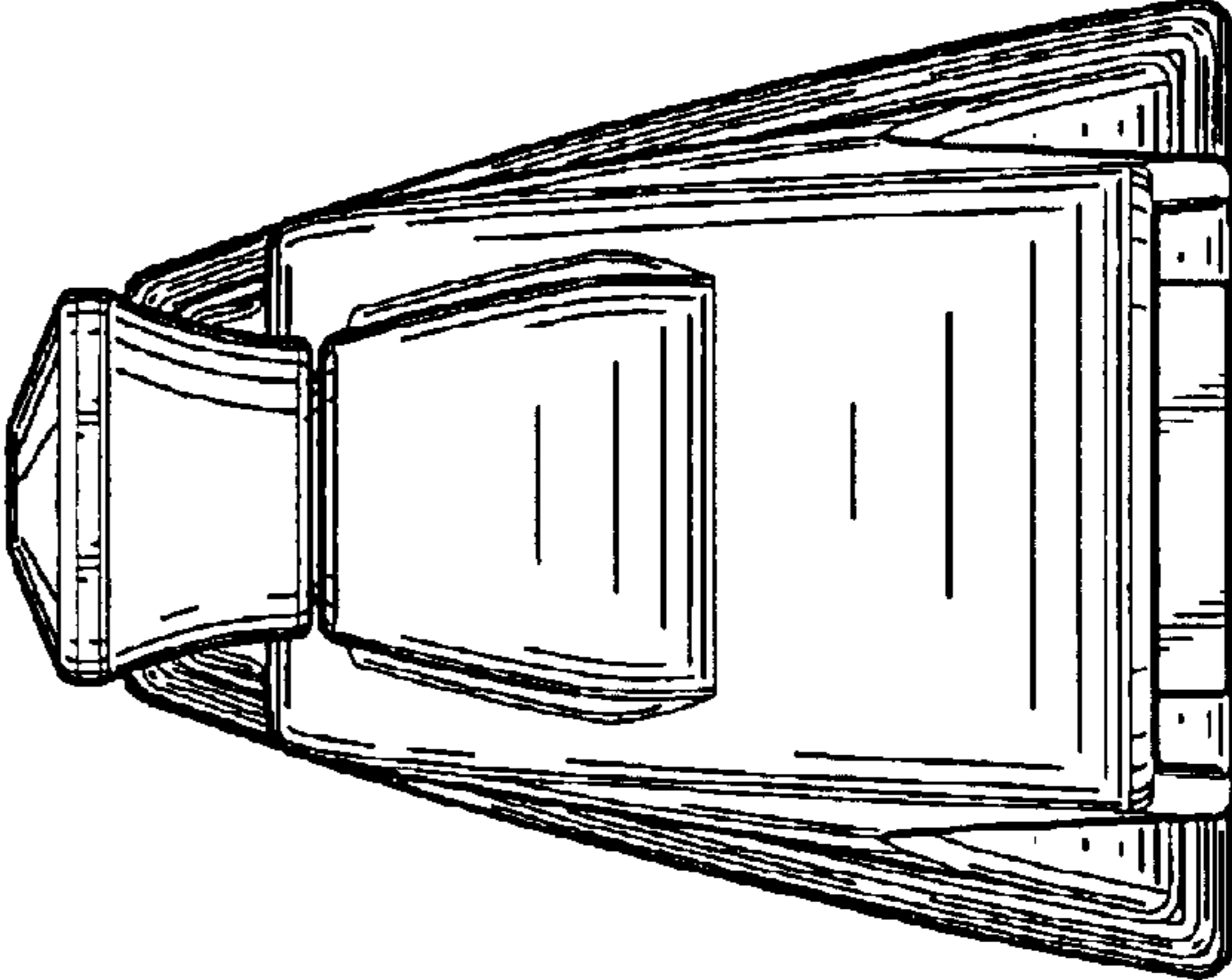


FIG - 3



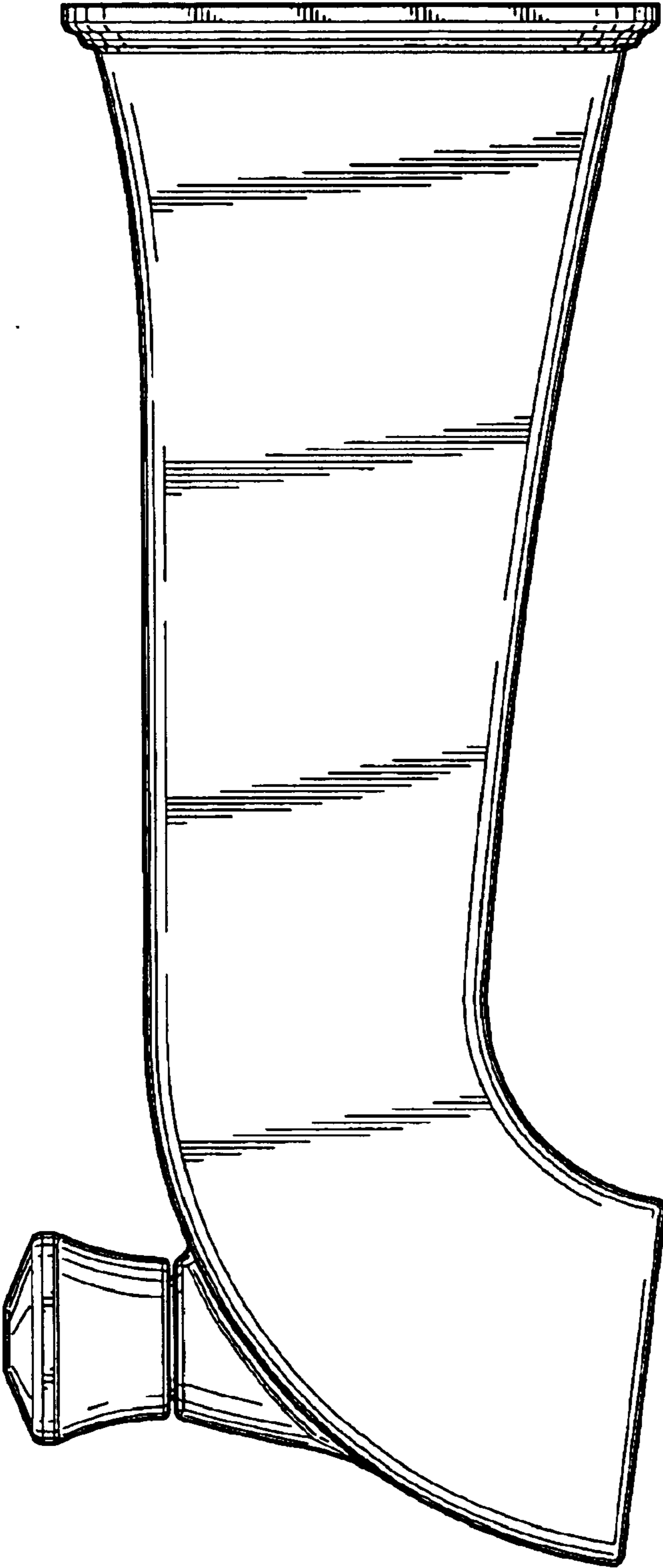


FIG - 4

FIG - 5

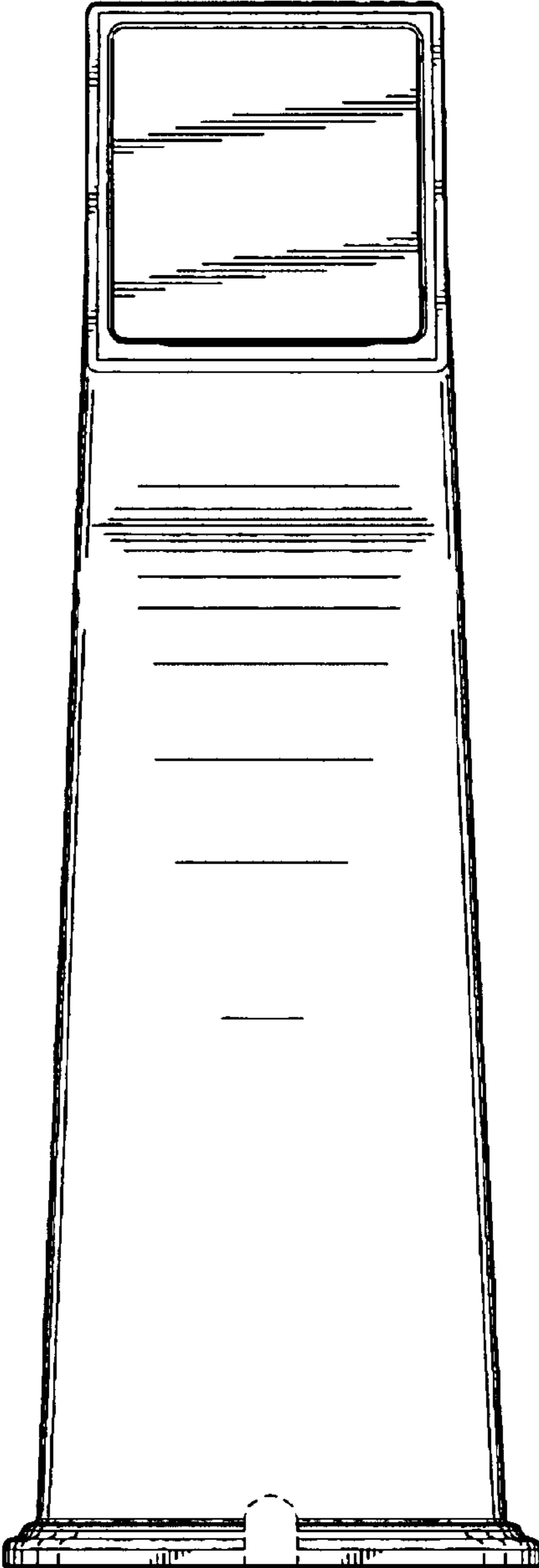
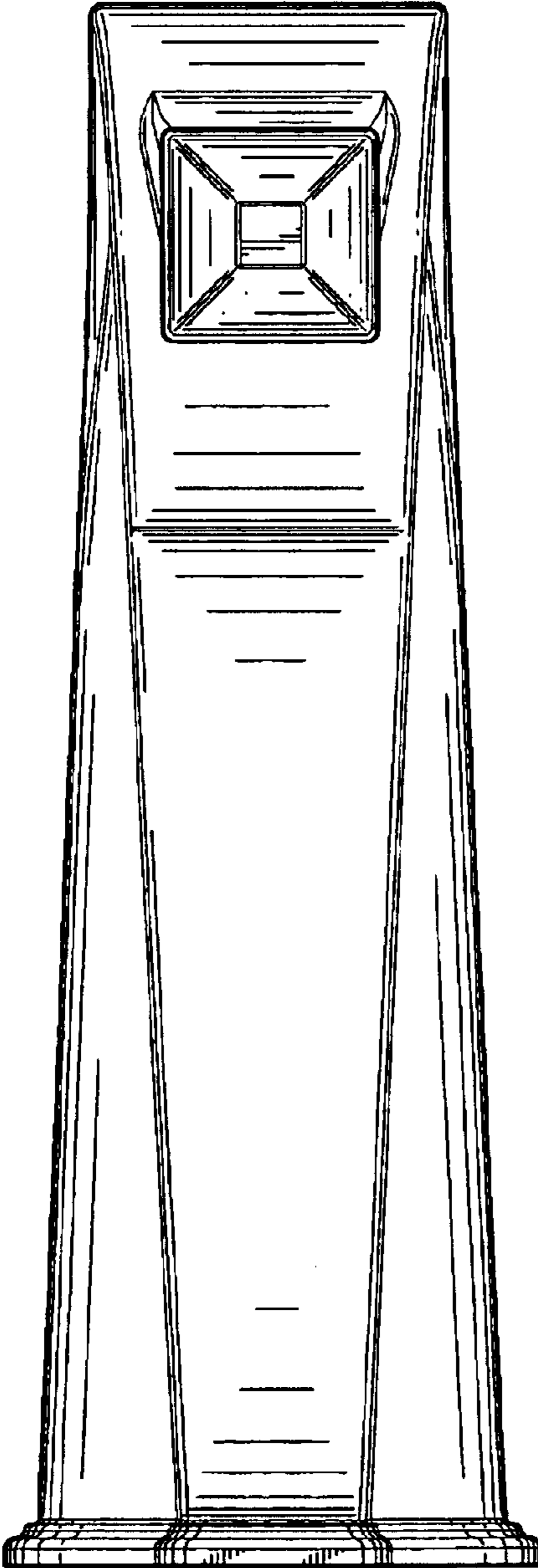


FIG - 6