

US00D508977S

(12) **United States Design Patent** (10) **Patent No.:** **US D508,977 S**  
**Otero** (45) **Date of Patent:** **\*\* Aug. 30, 2005**

(54) **FAUCET SPOUT**

(75) **Inventor:** **Federico G. Otero**, Carmel, IN (US)

(73) **Assignee:** **Masco Corporation of Indiana**,  
Indianapolis, IN (US)

(\*\*) **Term:** **14 Years**

(21) **Appl. No.:** **29/195,577**

(22) **Filed:** **Dec. 12, 2003**

(51) **LOC (8) Cl.** ..... **23-01**

(52) **U.S. Cl.** ..... **D23/238; D23/255; D23/257**

(58) **Field of Search** ..... **D23/238-257;**  
**4/675-678; 137/801**

(56) **References Cited**

**U.S. PATENT DOCUMENTS**

D83,923 S	*	4/1931	Sakier	.....	D23/238
D87,829 S	*	9/1932	Ferguson	.....	D23/257
D117,171 S	*	10/1939	Fraser	.....	D23/257
D185,503 S	*	6/1959	Kohler	.....	D23/238
D417,262 S	*	11/1999	Caplow	.....	D23/255

D479,312 S \* 9/2003 Yegyayan ..... D23/255

\* cited by examiner

*Primary Examiner*—Louis S. Zarfaz

*Assistant Examiner*—Gregory Andoll

(74) *Attorney, Agent, or Firm*—Kwadjo Adusei-Poku;  
Lloyd D. Doigan

(57) **CLAIM**

The ornamental design for a faucet spout, as shown and described.

**DESCRIPTION**

FIG. 1 is a front perspective view of a faucet spout showing my design;

FIG. 2 is a rear perspective view thereof;

FIG. 3 is a right side elevational view thereof;

FIG. 4 is a rear elevational view thereof;

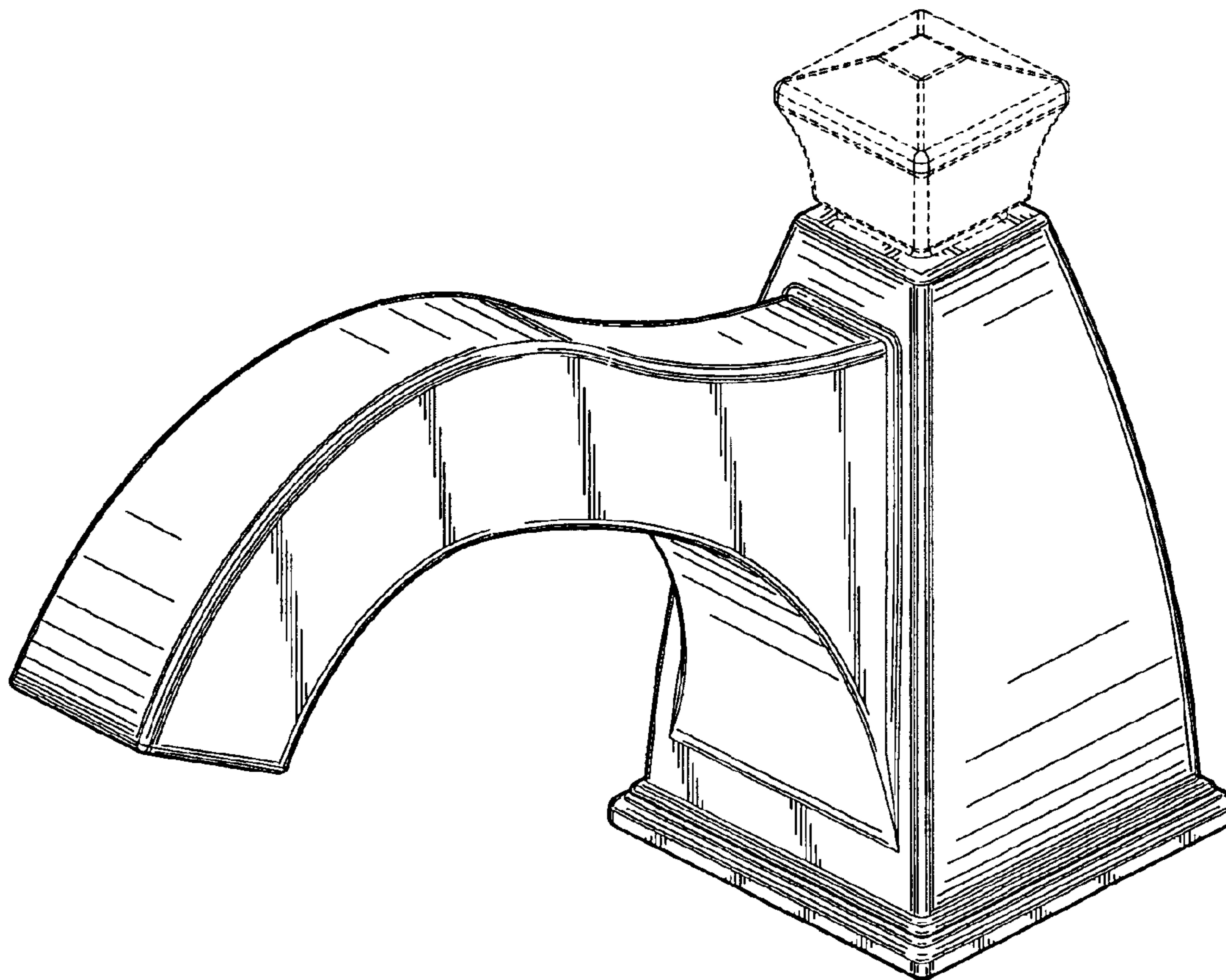
FIG. 5 is a left side elevational view thereof;

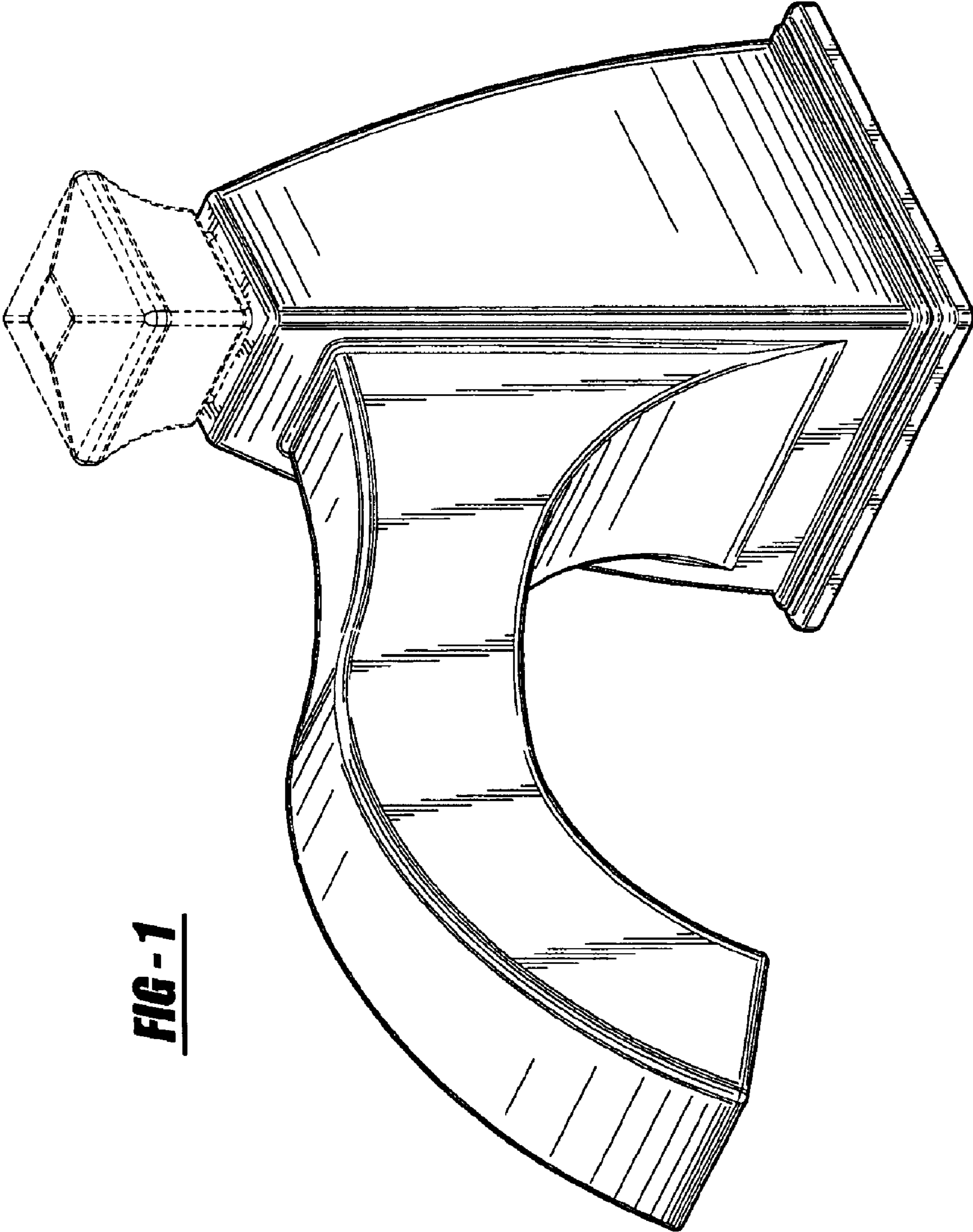
FIG. 6 is a front elevational view thereof; and,

FIG. 7 is a top plan view thereof.

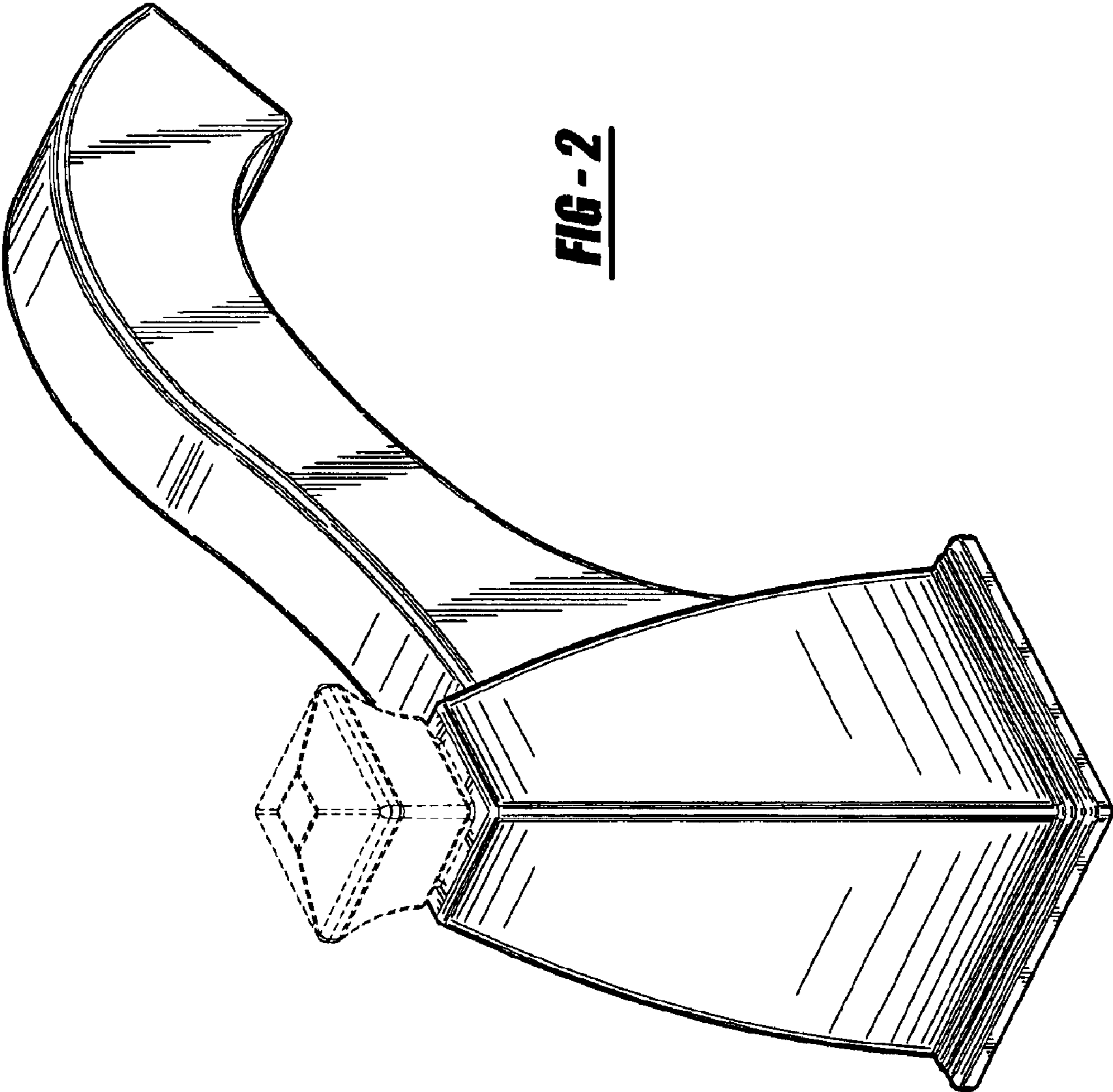
The broken lines in the Figures are for illustrative purposes only and form no part of the claimed design.

**1 Claim, 5 Drawing Sheets**

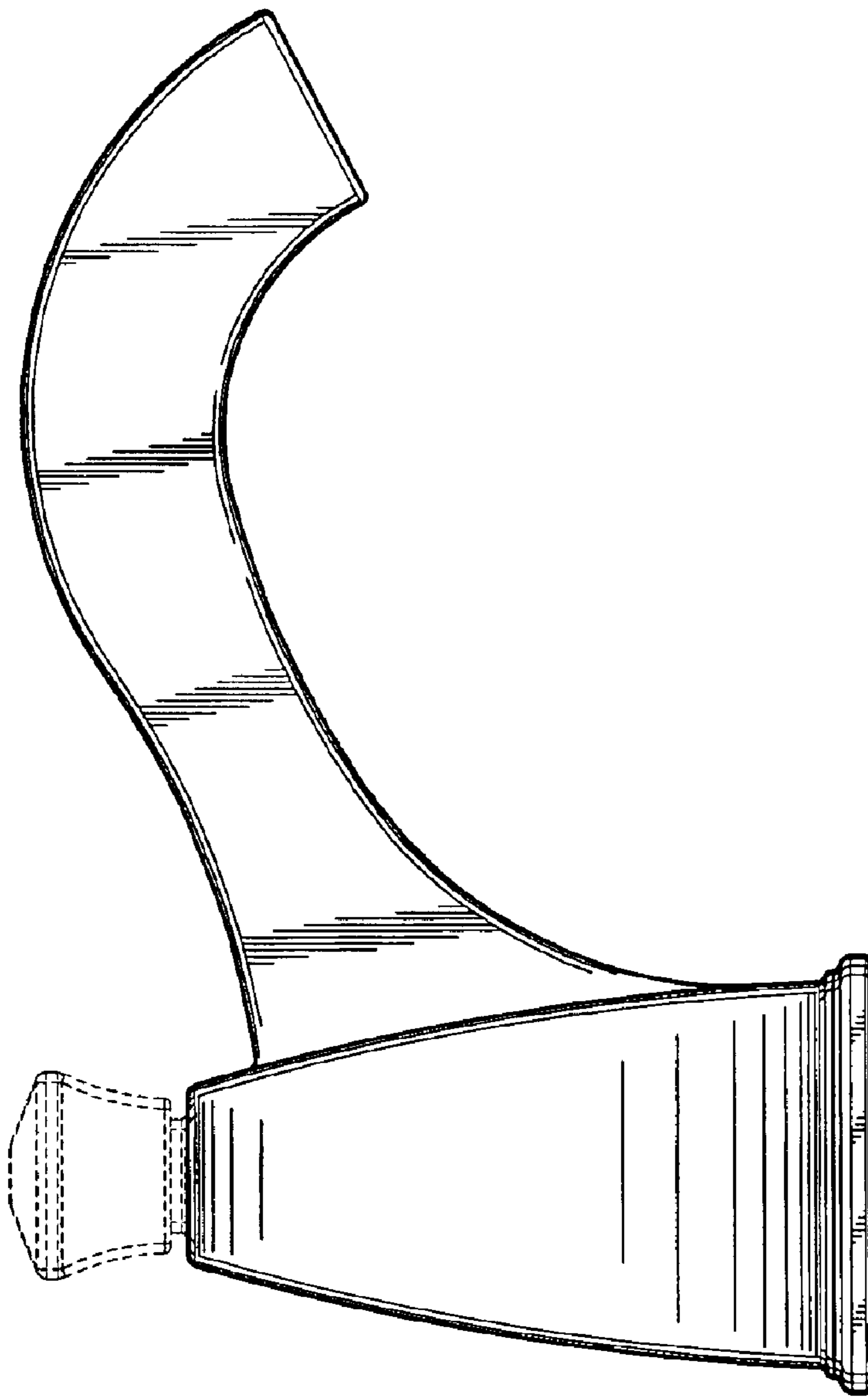




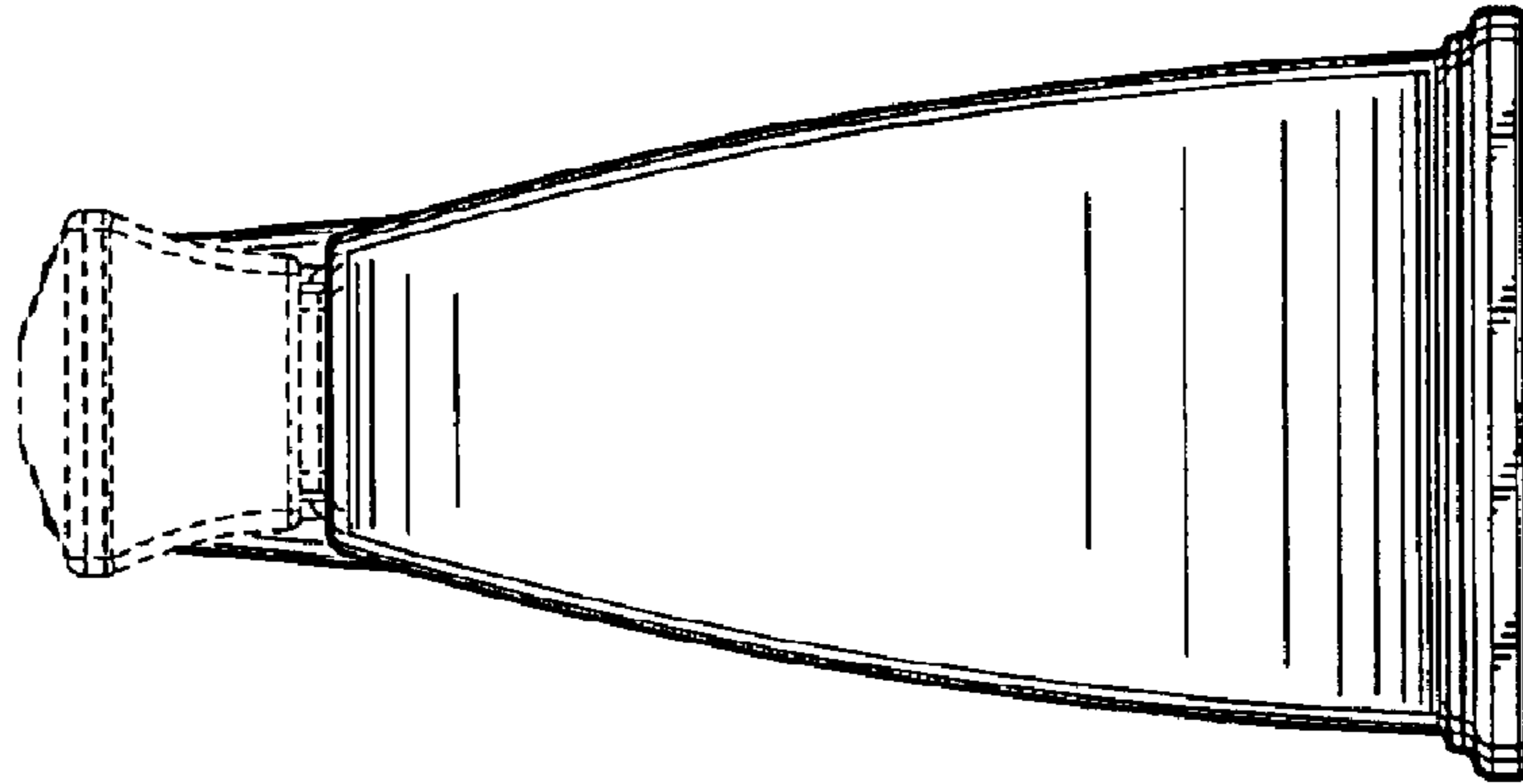
**FIG-1**



**FIG - 2**

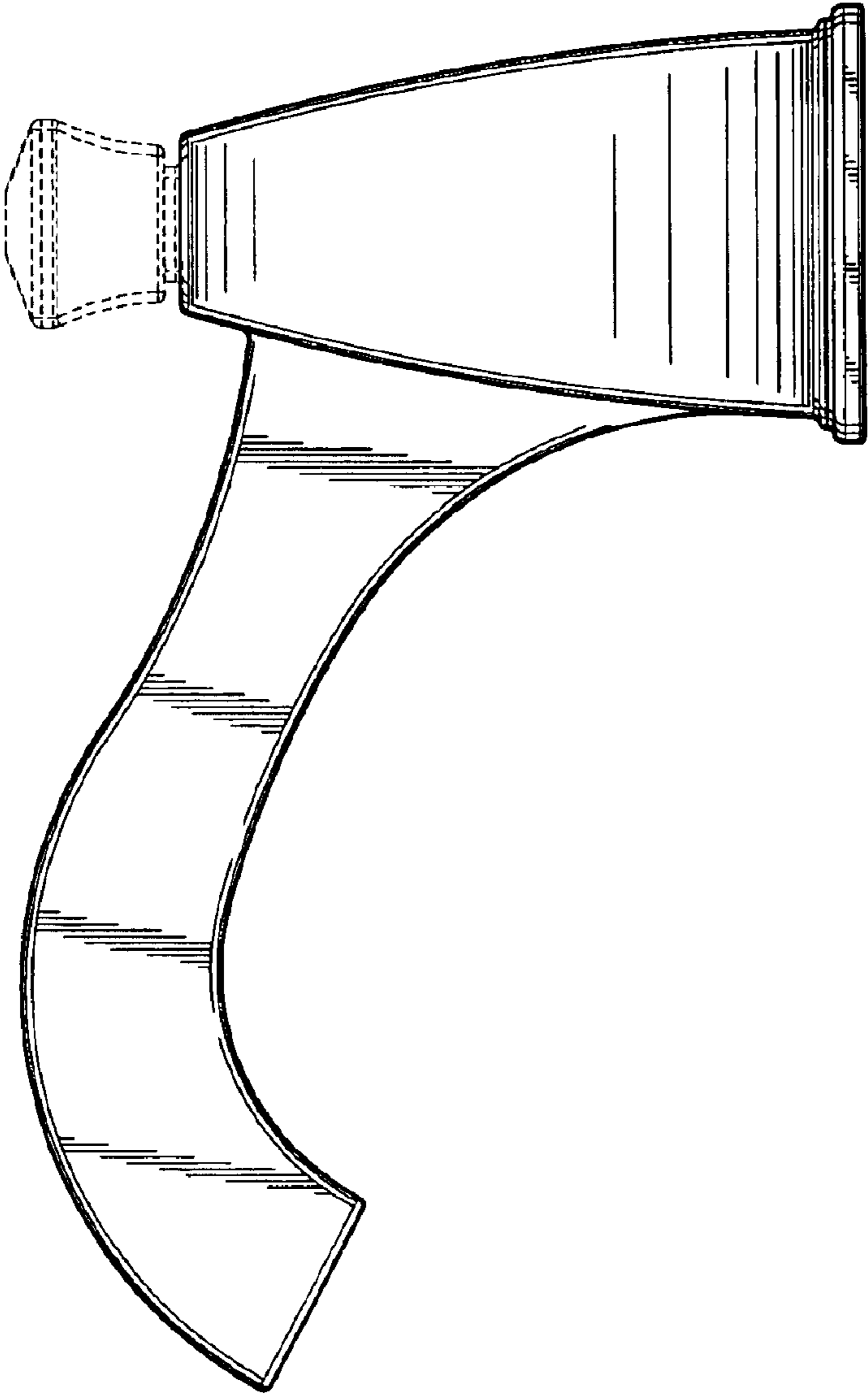


**FIG - 3**

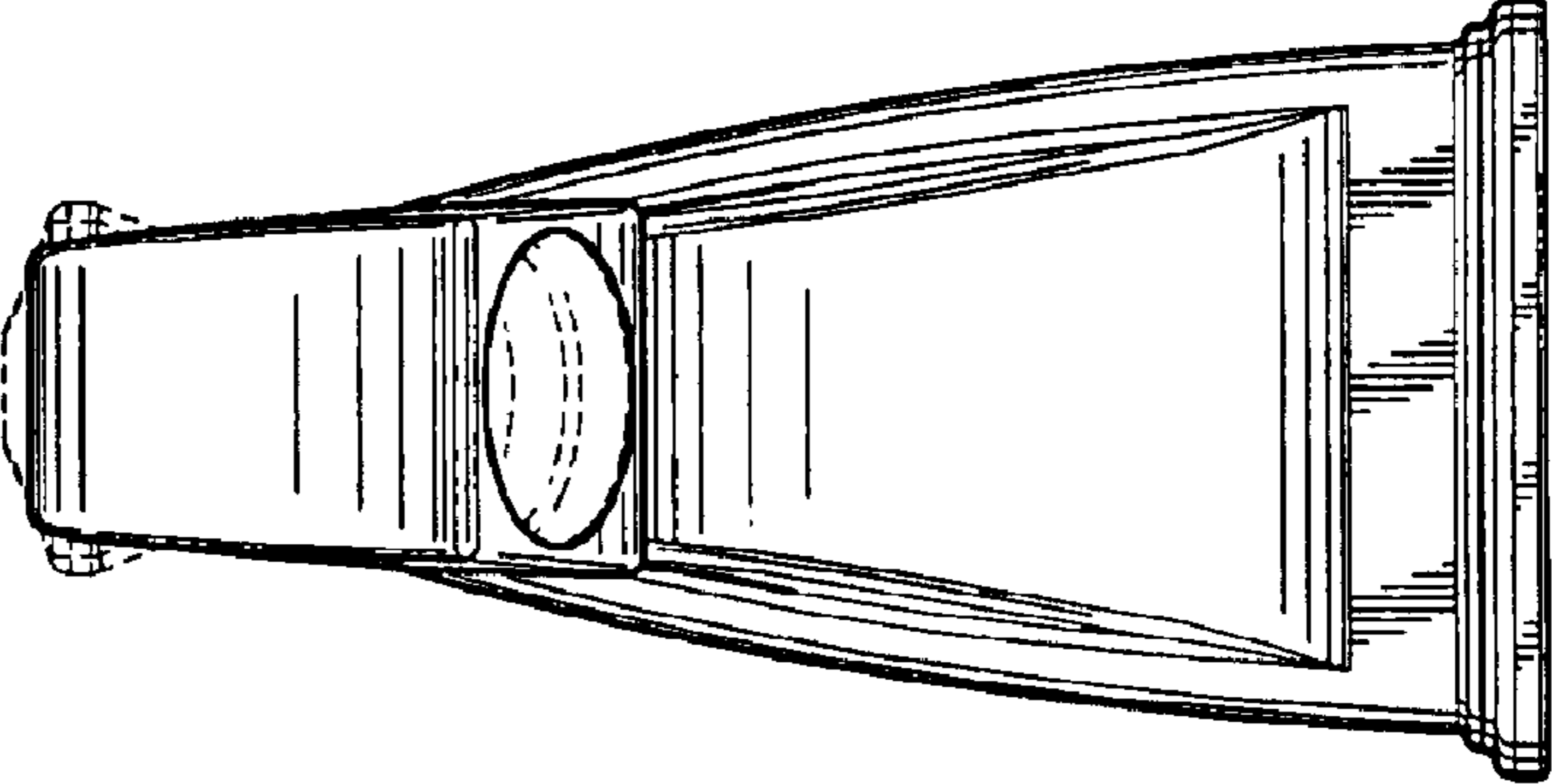


**FIG - 4**

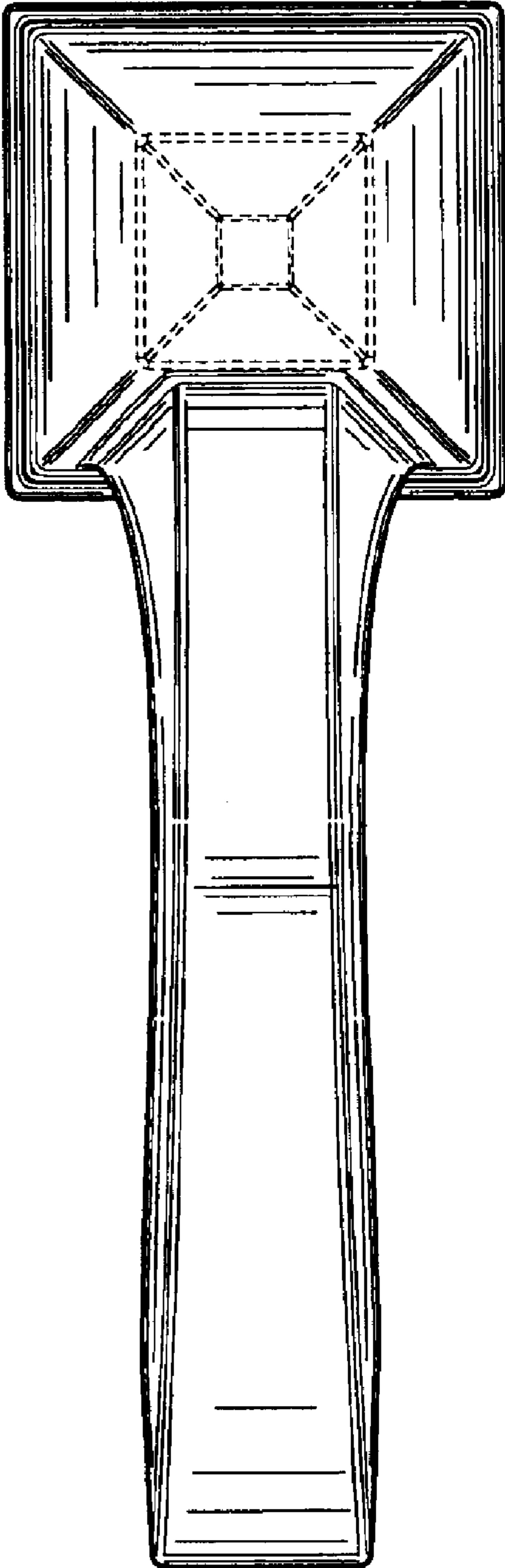




**FIG - 5**



**FIG - 6**



**FIG - 7**