

US00D508976S

(12) **United States Design Patent**  
**Find et al.**

(10) **Patent No.: US D508,976 S**

(45) **Date of Patent: \*\* Aug. 30, 2005**

(54) **TUB SPOUT**

(75) Inventors: **Poul Erik Find, Sonderso (DK);  
Benedicte Find, Sonderso (DK)**

(73) Assignee: **Damixa A/S (DK)**

(\*\*) Term: **14 Years**

(21) Appl. No.: **29/189,808**

(22) Filed: **Sep. 11, 2003**

(30) **Foreign Application Priority Data**

Mar. 12, 2003 (DK) ..... DA 2003 00189

(51) **LOC (8) Cl. .... 23-01**

(52) **U.S. Cl. .... D23/238; D23/255**

(58) **Field of Search .... D23/238-257,  
D23/262, 263; 4/675-687; 137/807, 615,  
603**

(56) **References Cited**

**U.S. PATENT DOCUMENTS**

- D25,415 S \* 4/1896 Hotchkiss ..... D23/255
- D44,380 S \* 7/1913 Michak ..... D23/263
- 1,986,225 A \* 1/1935 Sefkin ..... 137/603
- D214,906 S \* 8/1969 Steinmeyer ..... D23/263

- D249,276 S \* 9/1978 Levin ..... D23/263
- D301,605 S \* 6/1989 Jans ..... D23/255
- D315,194 S \* 3/1991 Haug et al. .... D23/238
- D331,277 S \* 11/1992 Murphy ..... D23/263
- D464,114 S \* 10/2002 Spangler ..... D23/238

\* cited by examiner

*Primary Examiner*—Louis S. Zarfes

*Assistant Examiner*—Gregory Andoll

(74) *Attorney, Agent, or Firm*—Kwadjo Adusei-Poku;  
Lloyd D. Doigan

(57) **CLAIM**

The ornamental design for a tub spout, as shown and described.

**DESCRIPTION**

FIG. 1 is a front perspective view of a tub spout showing our new design;

FIG. 2 is a front elevational view thereof;

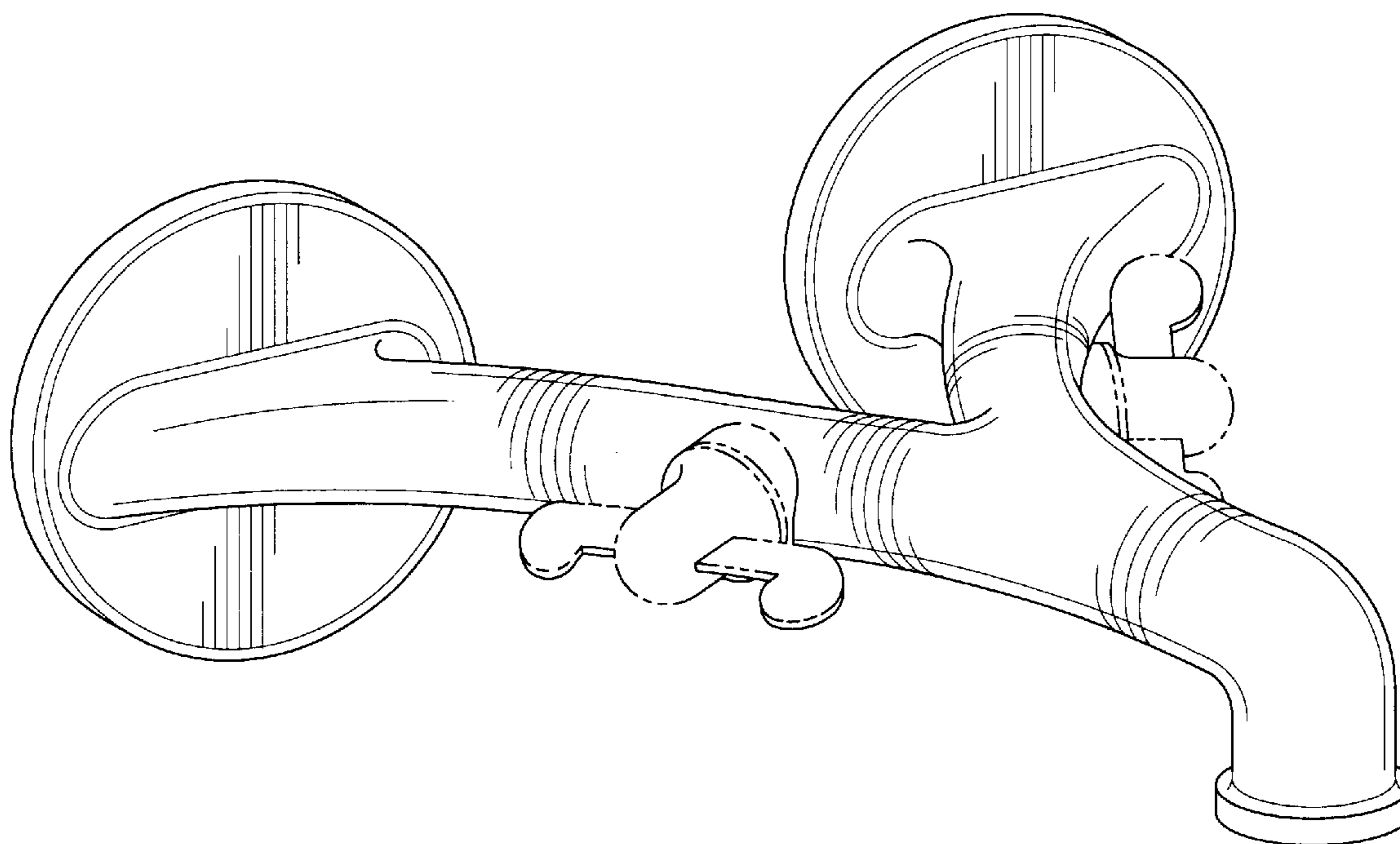
FIG. 3 is a top plan view thereof;

FIG. 4 is a left side elevational view thereof, the right side elevational view being a mirror image thereof; and,

FIG. 5 is a bottom plan view thereof.

The broken lines in the Figures are for illustrative purposes only and form no part of the claimed design.

**1 Claim, 4 Drawing Sheets**



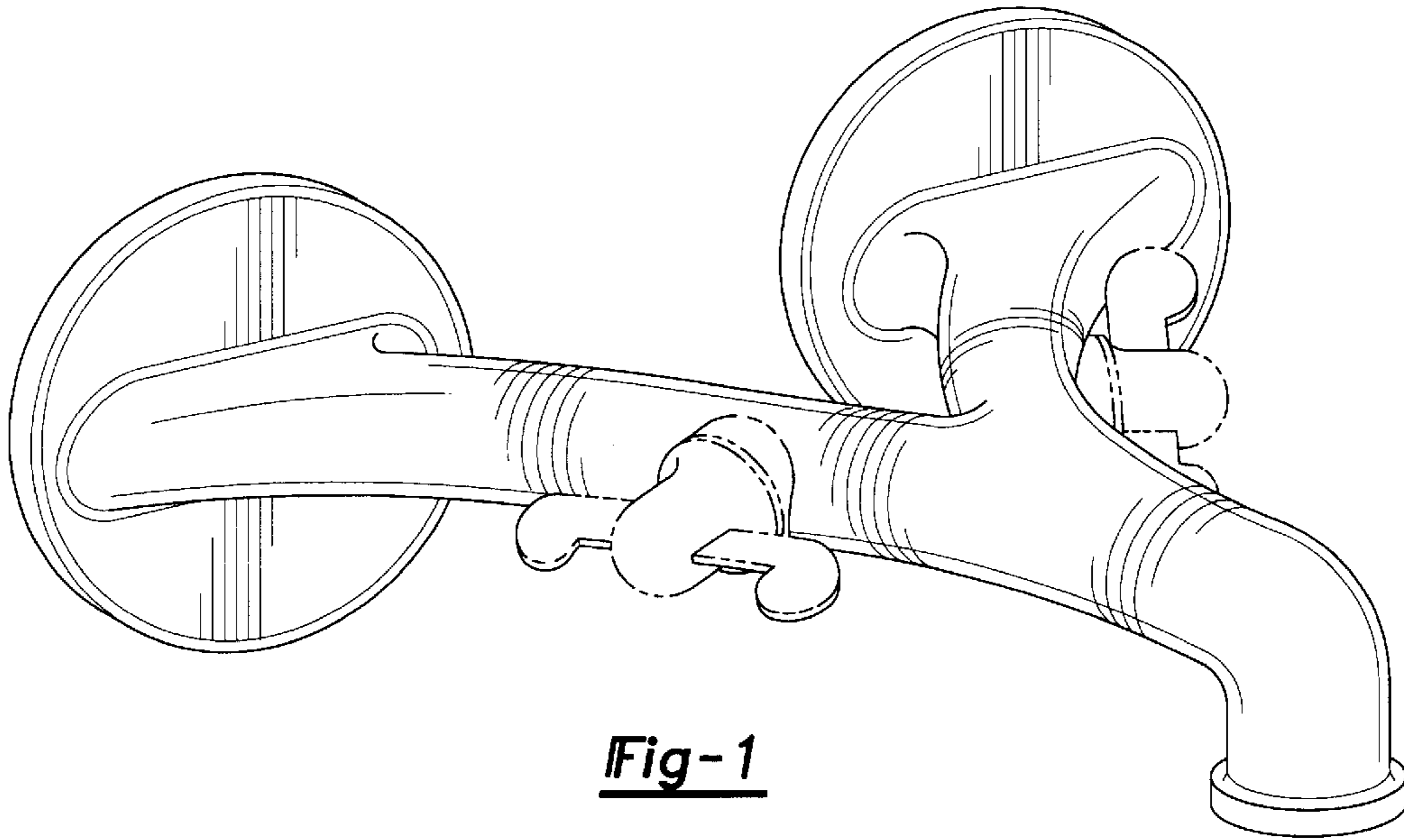


Fig-1

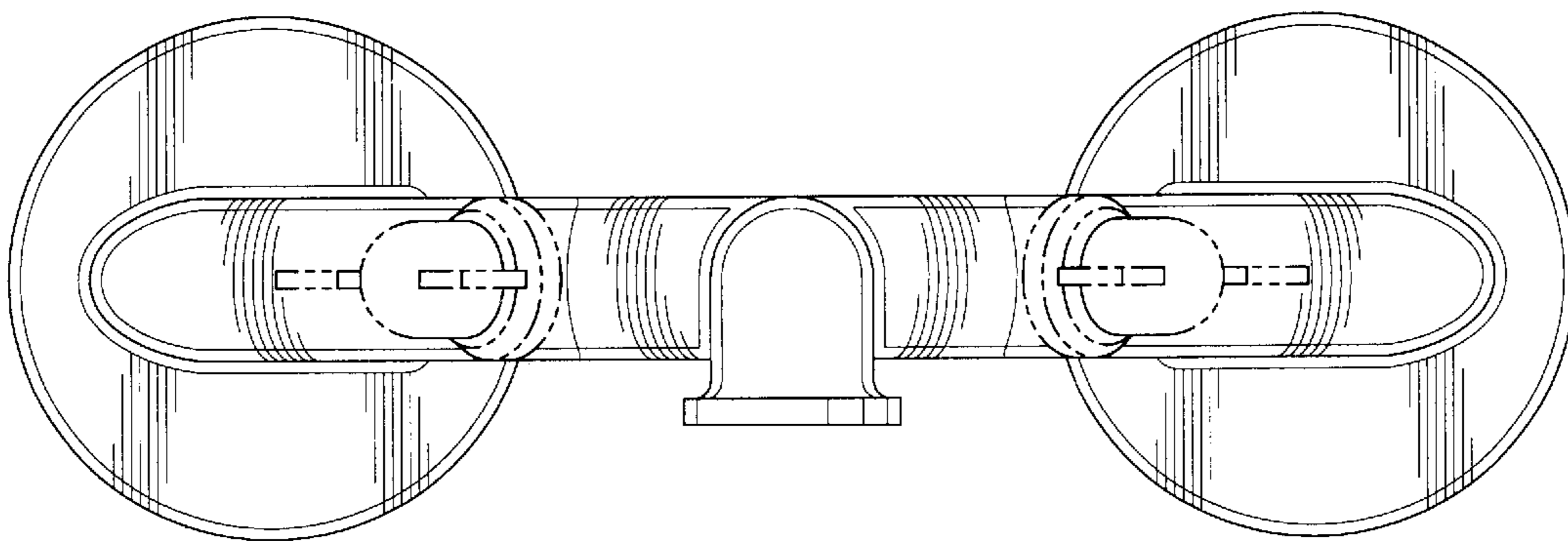


Fig-2

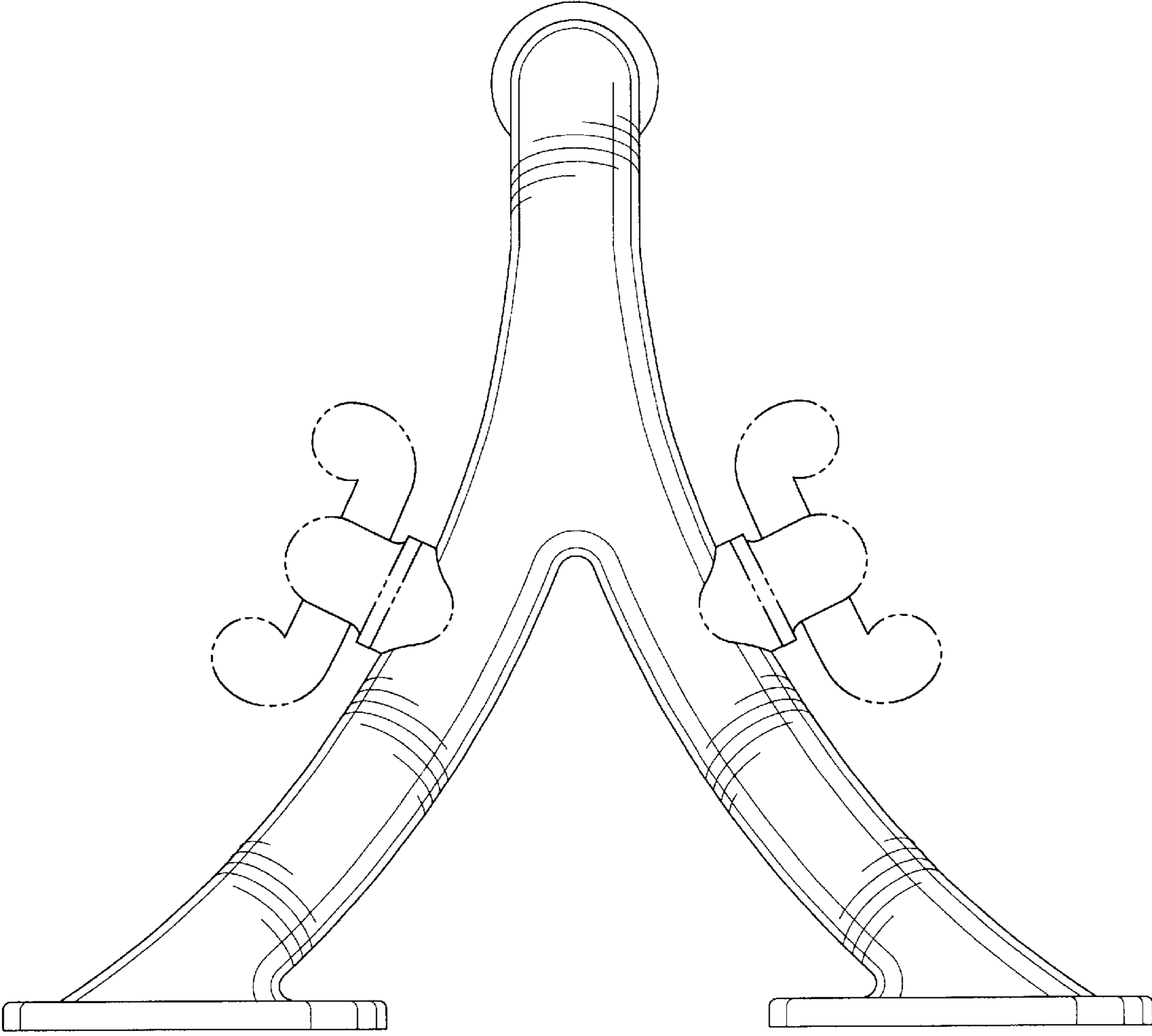


Fig-3

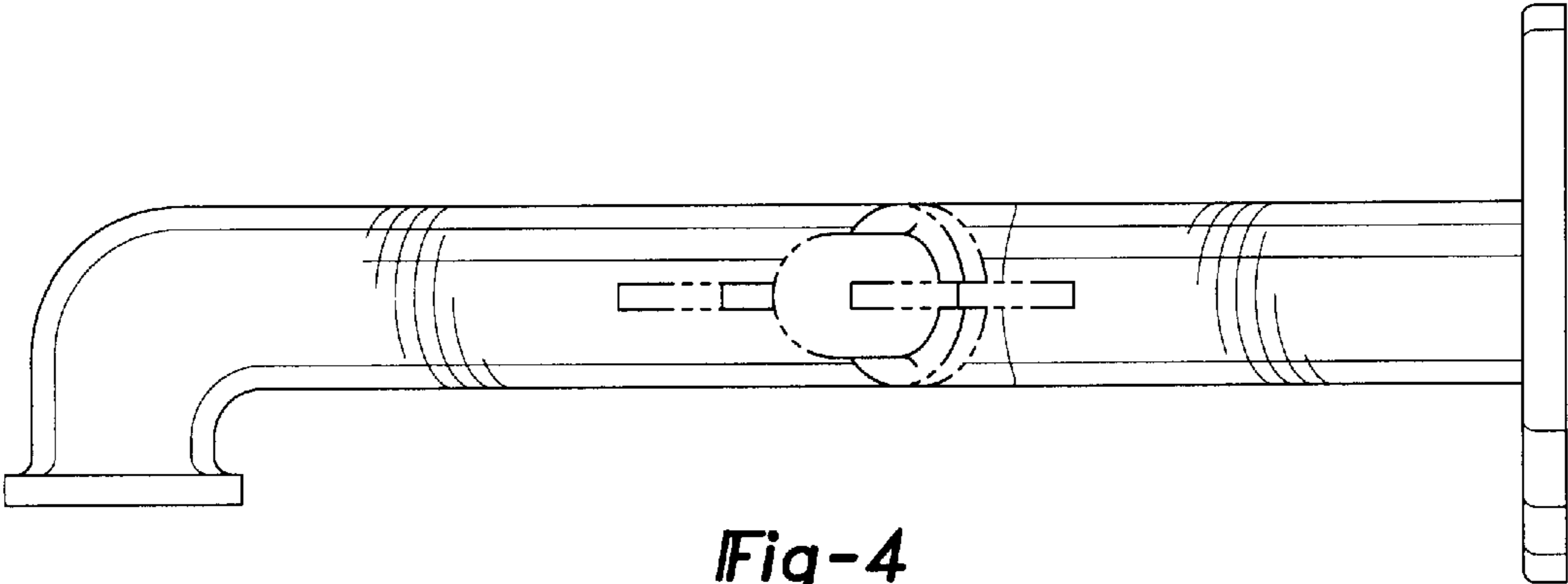


Fig-4

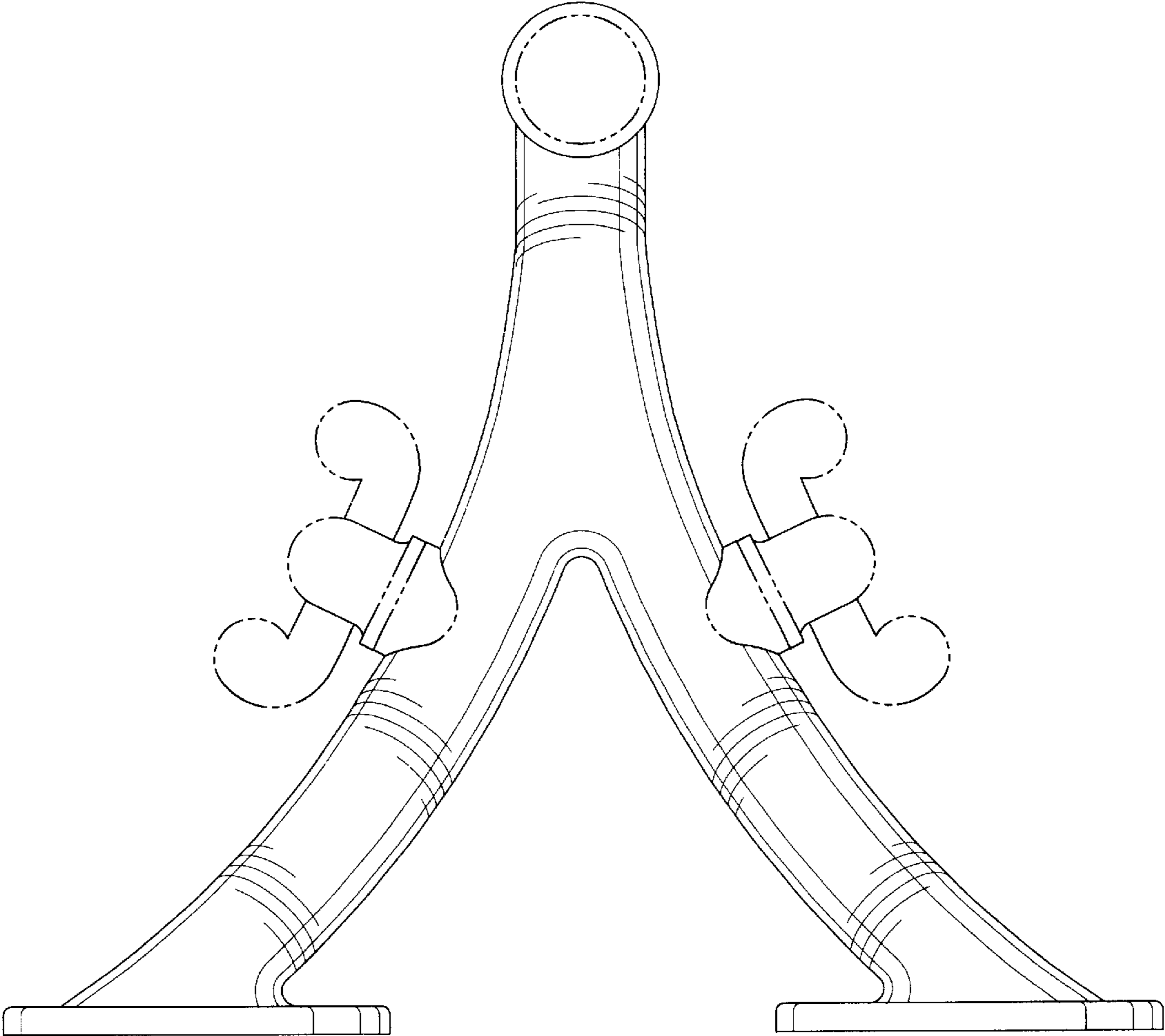


Fig-5