



US00D508973S

(12) **United States Design Patent** (10) **Patent No.:** **US D508,973 S**  
**Sener et al.** (45) **Date of Patent:** **\*\* Aug. 30, 2005**

(54) **SPRINKLER**

(75) Inventors: **James Sener**, Glastonbury, CT (US);  
**Christopher Hageman**, Glastonbury,  
CT (US); **David Mathieu**, Colchester,  
CT (US)

(73) Assignee: **Gilmour, Inc.**, Newark, DE (US)

(\*\*) Term: **14 Years**

(21) Appl. No.: **29/207,754**

(22) Filed: **Jun. 17, 2004**

(51) **LOC (8) Cl.** ..... **23-01**

(52) **U.S. Cl.** ..... **D23/214**

(58) **Field of Search** ..... D23/213, 214,  
D23/216; 239/240, 242, 231, 222.21, 273,  
275

(56) **References Cited**

**U.S. PATENT DOCUMENTS**

- 3,319,893 A \* 5/1967 Caves et al. .... 239/393
- 3,655,132 A \* 4/1972 Rosic ..... 239/206
- D358,449 S \* 5/1995 Ford ..... D23/214
- D378,399 S \* 3/1997 Simonetti et al. .... D23/214

\* cited by examiner

*Primary Examiner*—Robin V. Taylor  
(74) *Attorney, Agent, or Firm*—Victor A. Henzi

(57) **CLAIM**

The ornamental design for a sprinkler, as shown and described.

**DESCRIPTION**

FIG. 1 is a rear right perspective view of the present new design for a sprinkler configured to include an exemplary sprinkler base which is illustrated in dashed lines and forms no part of the claimed design;

FIG. 2 is a rear right perspective view of the present new design for a sprinkler;

FIG. 3 is a rear elevational view thereof;

FIG. 4 is a right elevational view thereof, the left elevational view being a mirror image thereof;

FIG. 5 is a front elevational view thereof;

FIG. 6 is a top plan view thereof; and,

FIG. 7 is a bottom plan view thereof.

The broken lines showing various features of a sprinkler are for illustrative purposes only and form no part of the claimed design.

**1 Claim, 6 Drawing Sheets**

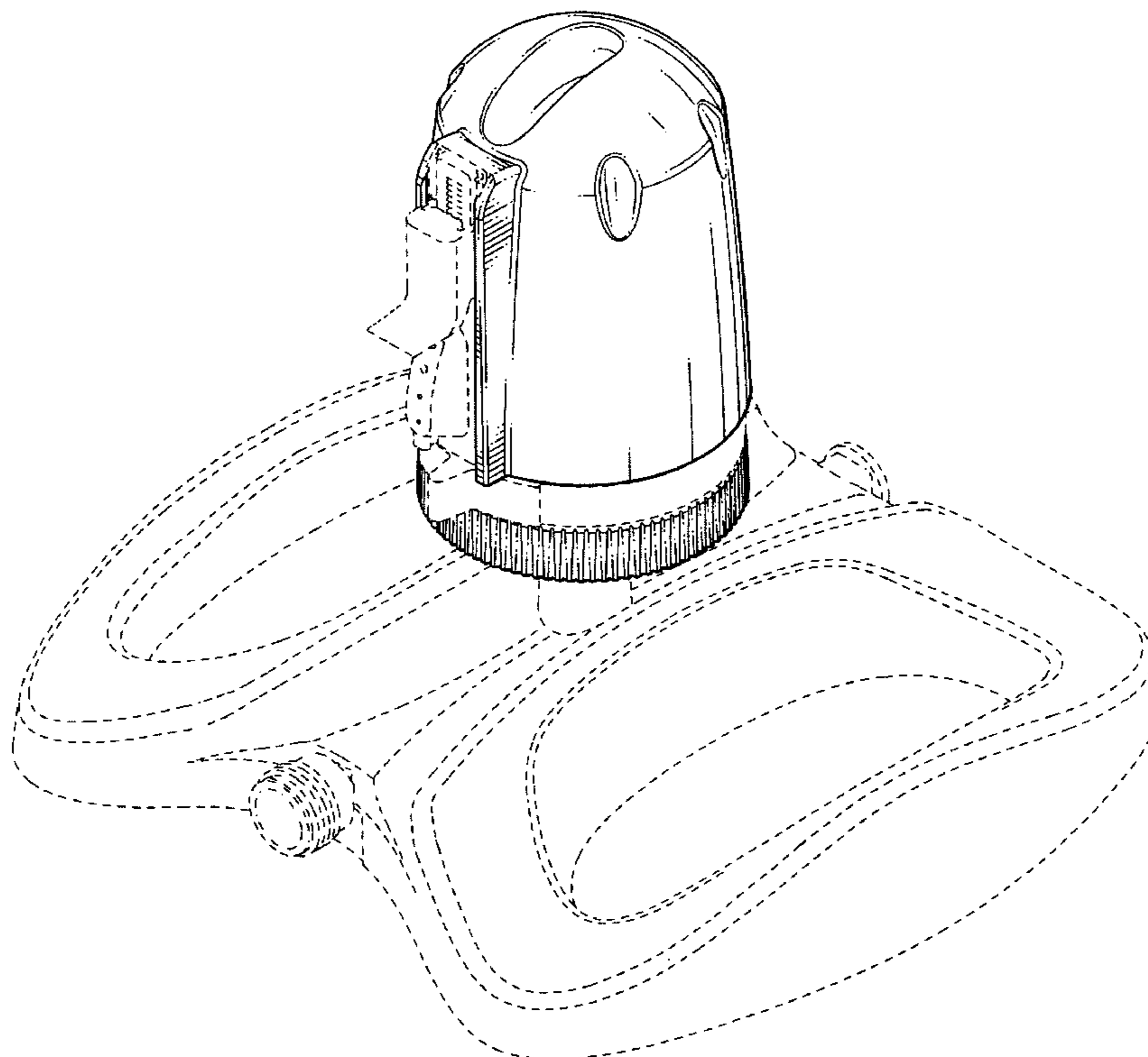
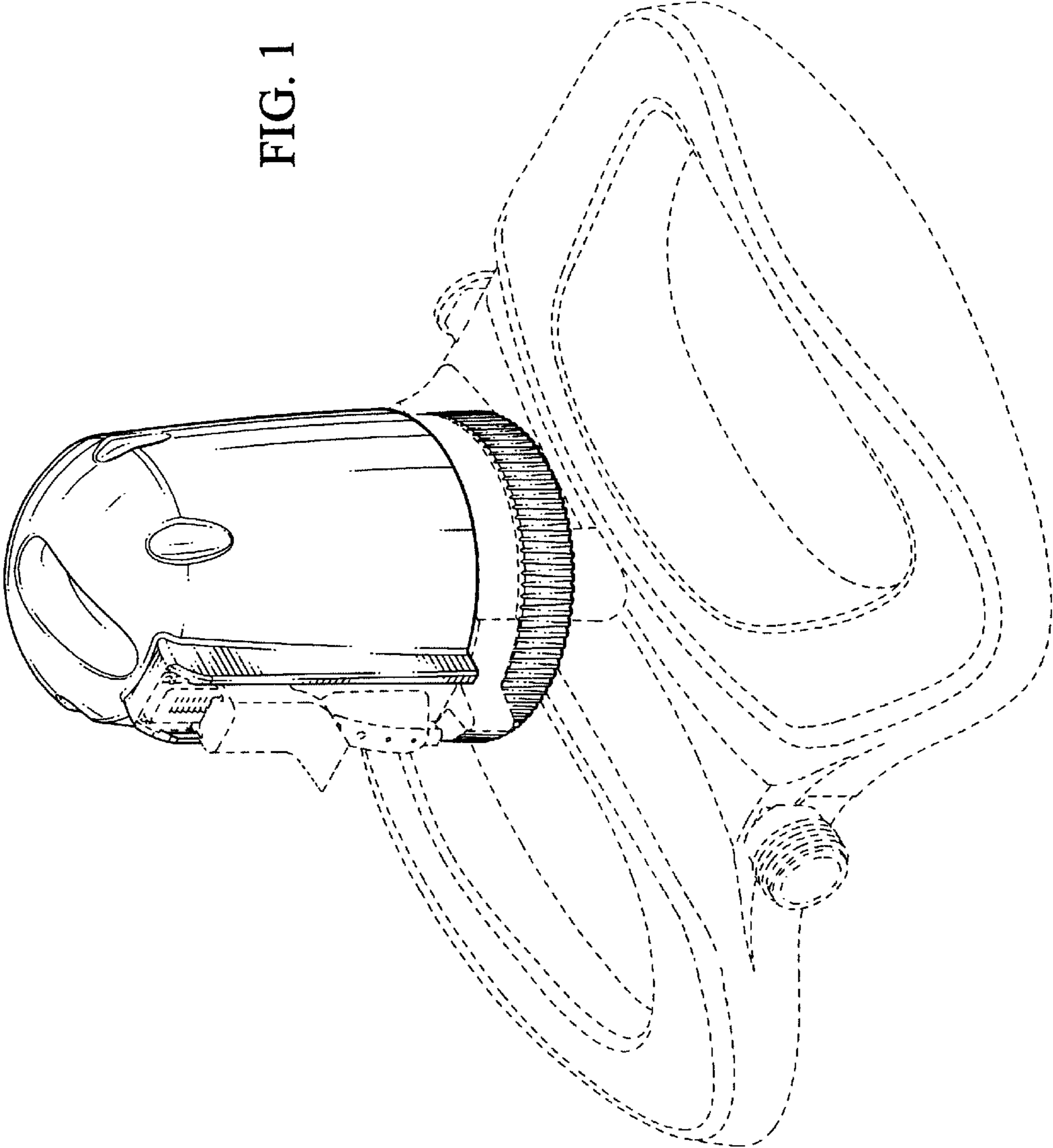


FIG. 1



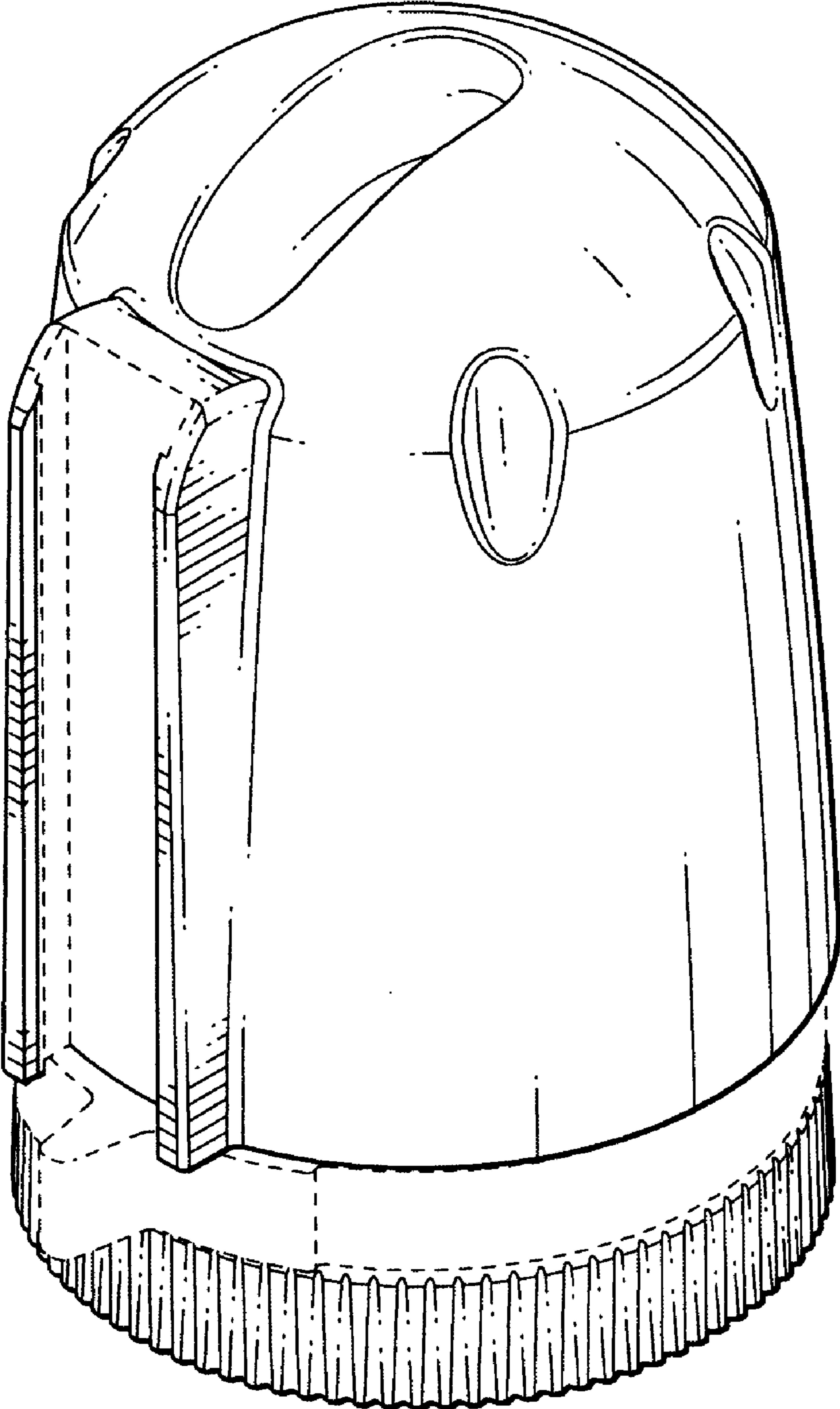


FIG. 2

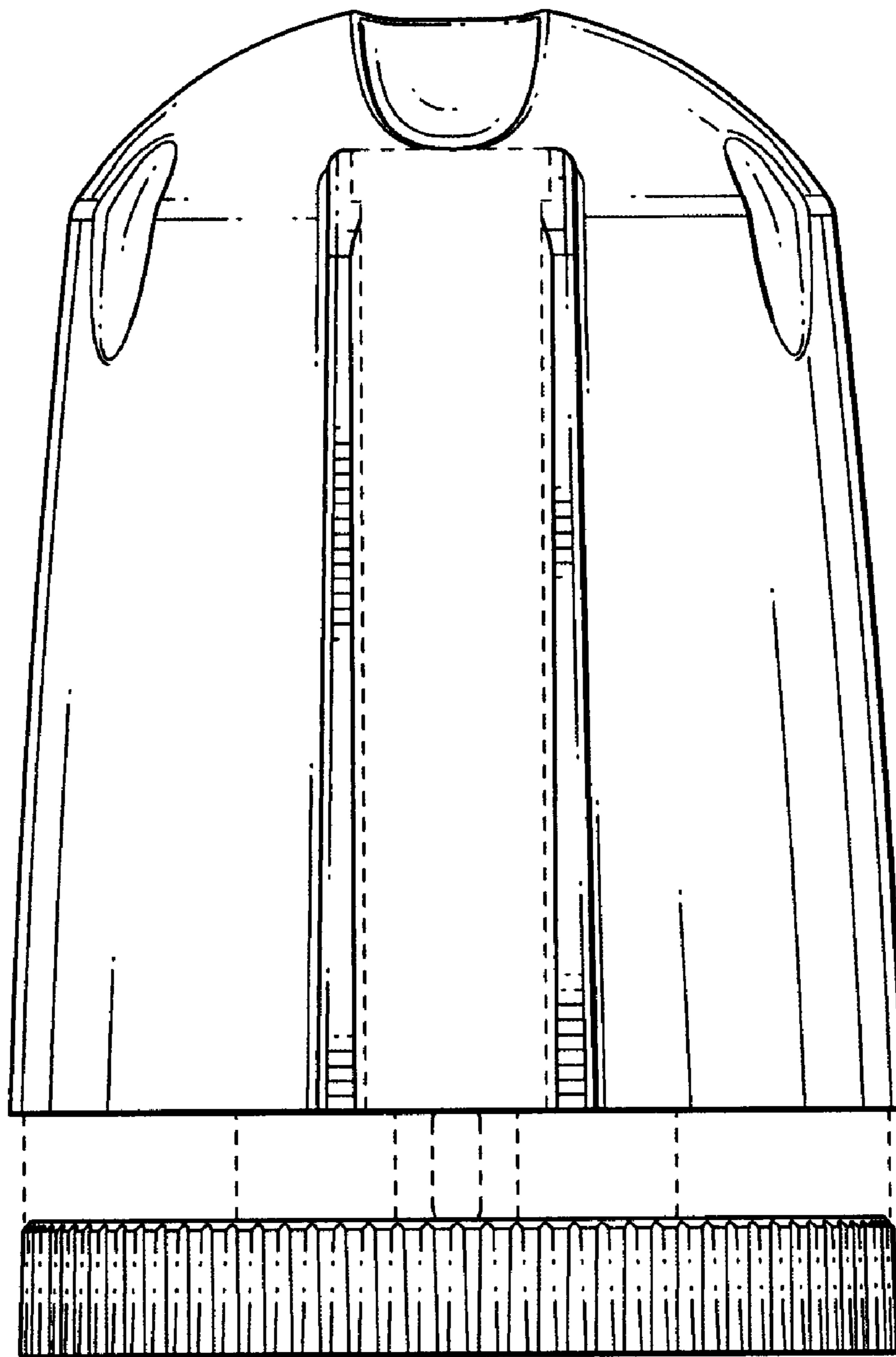


FIG. 3

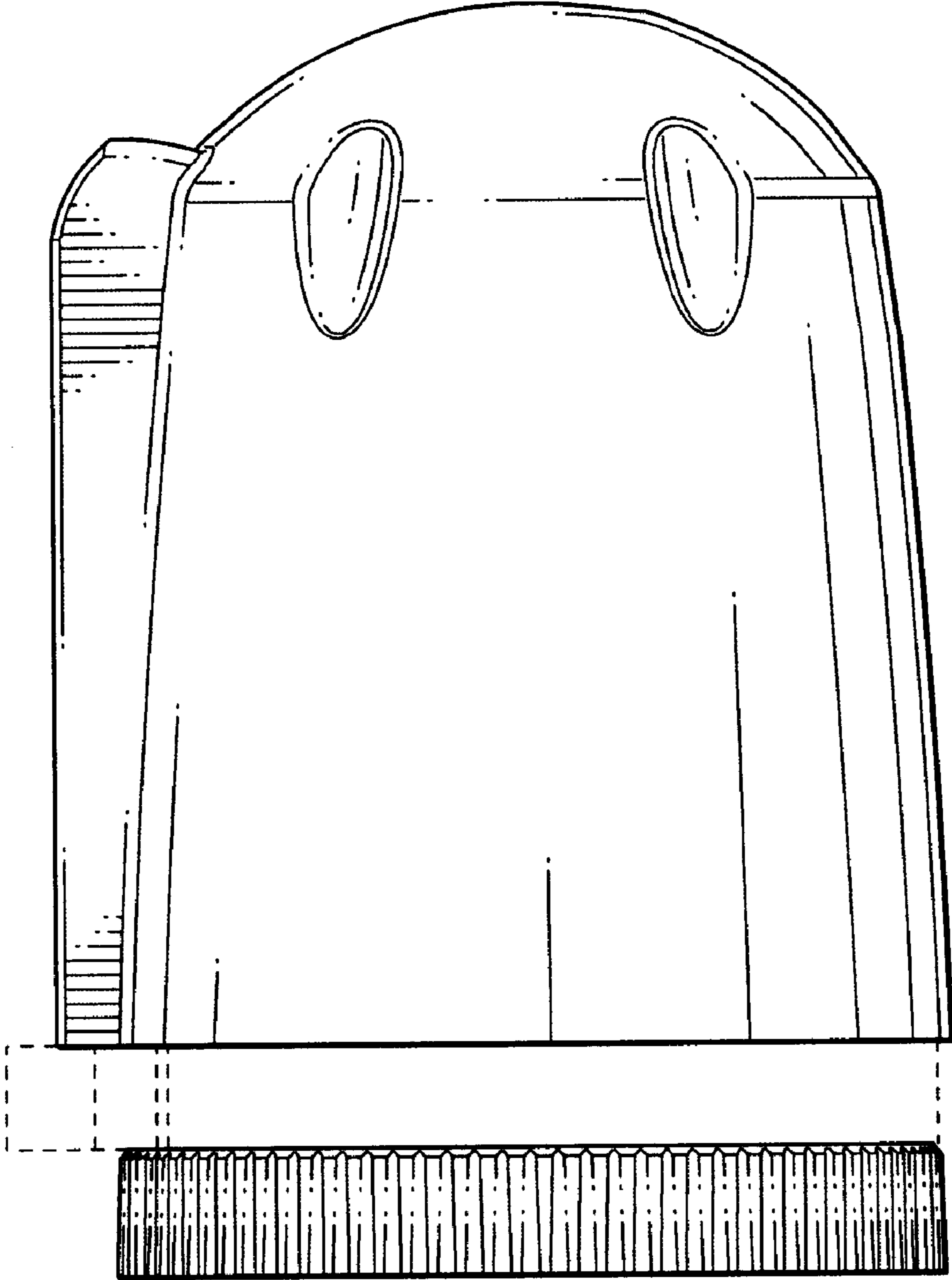


FIG. 4

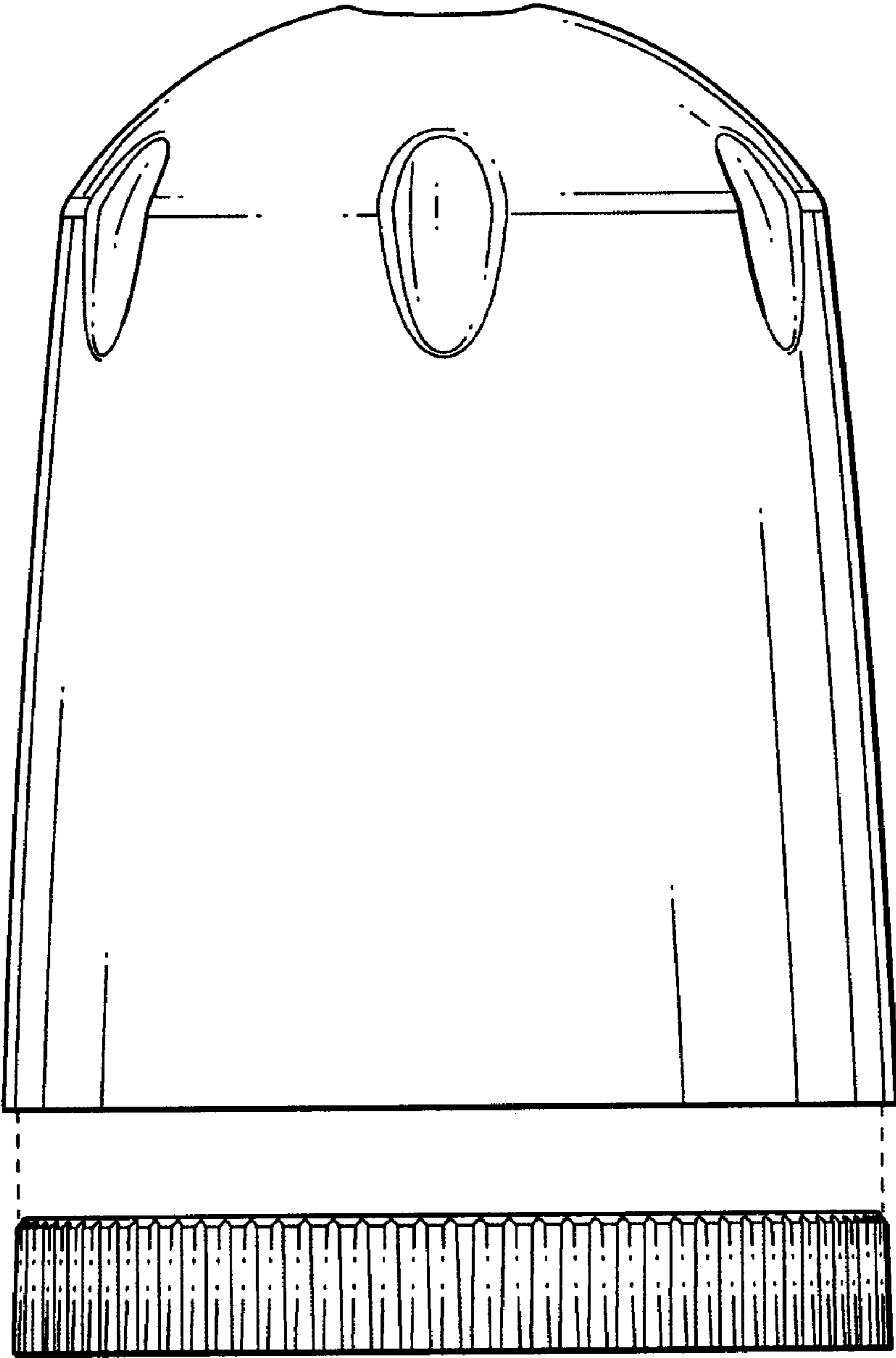


FIG. 5

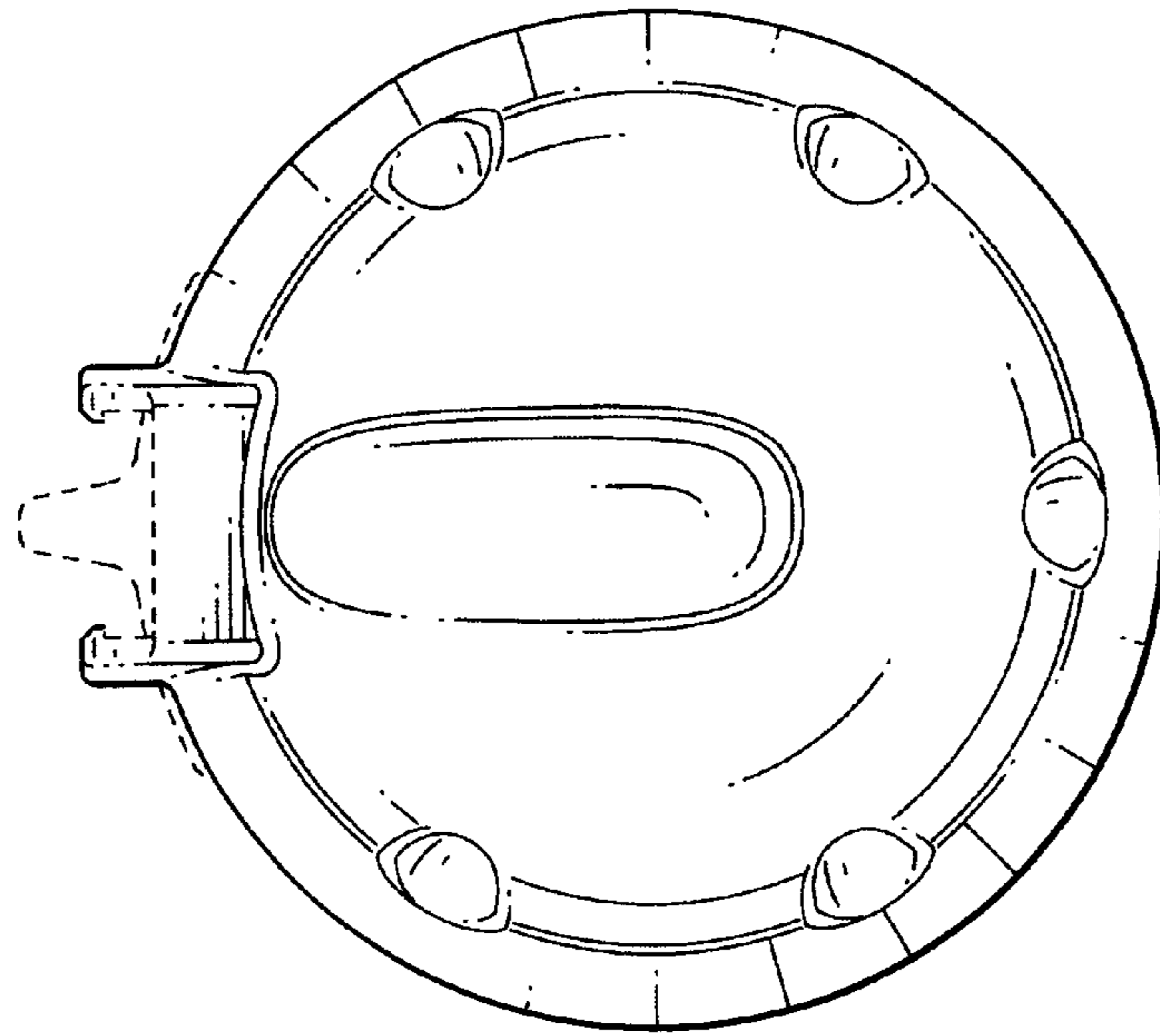


FIG. 6

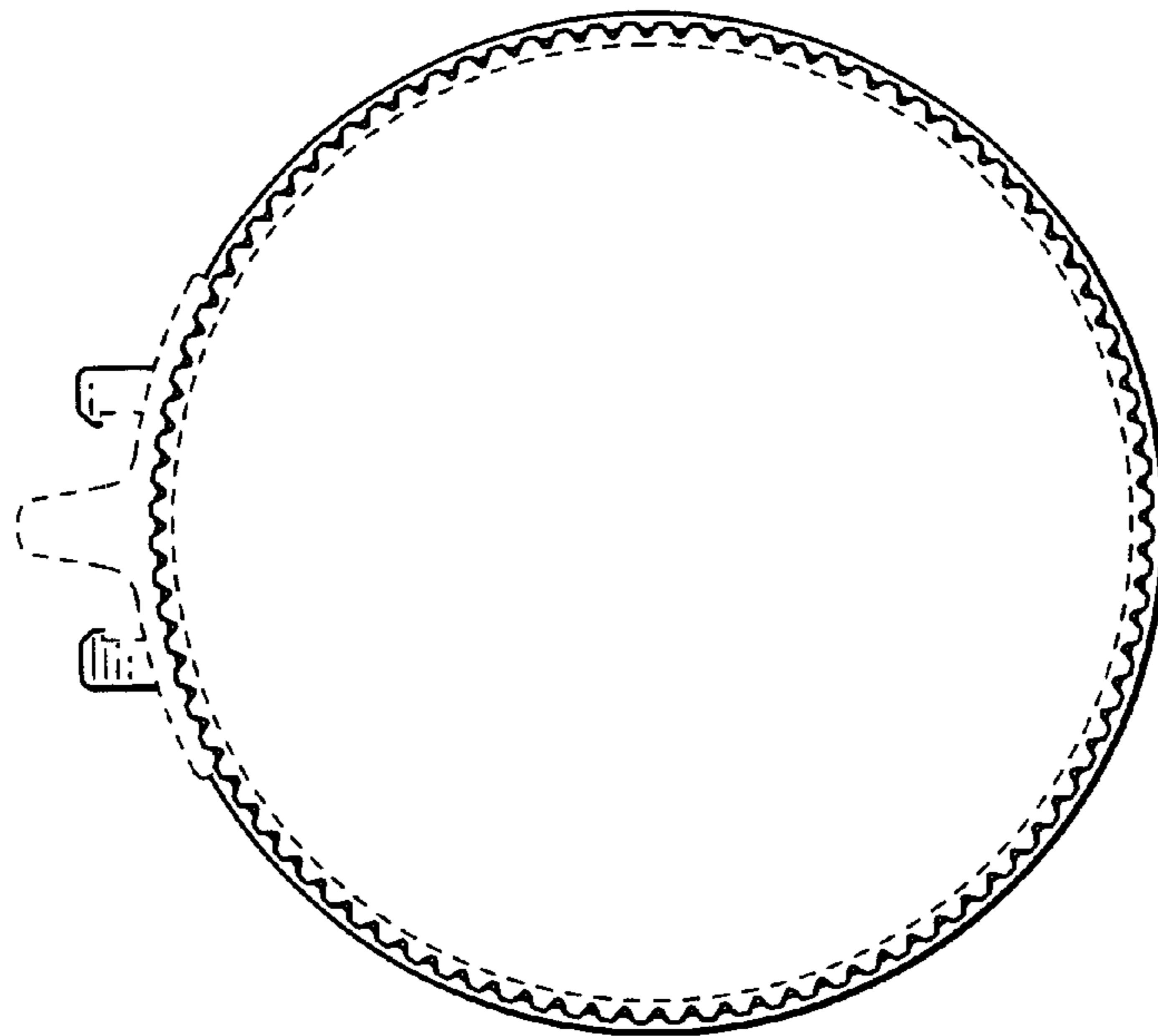


FIG. 7