

US00D508970S

(12) **United States Design Patent**  
**Travis**

(10) **Patent No.:** **US D508,970 S**

(45) **Date of Patent:** **\*\* Aug. 30, 2005**

(54) **LEASH**

(75) **Inventor:** **Christopher John Travis, Balgowlah (AU)**

(73) **Assignee:** **Surfing Hardware International Holdings Pty Ltd., New South Wales (AU)**

(\*\*) **Term:** **14 Years**

(21) **Appl. No.:** **29/179,149**

(22) **Filed:** **Apr. 4, 2003**

(30) **Foreign Application Priority Data**

Oct. 4, 2002 (AU) ..... 3109/02

(51) **LOC (8) Cl.** ..... **21-02**

(52) **U.S. Cl.** ..... **D21/771; 441/75**

(58) **Field of Search** ..... D30/151-154;  
119/712, 724, 791-98; D21/672, 684, 694,  
770, 771; D8/83, 107, 303, 307, 310-11;  
D7/393, 395; 441/75

(56) **References Cited**

**U.S. PATENT DOCUMENTS**

D34,966 S \* 8/1901 Maurer ..... D8/11  
D90,978 S \* 11/1933 Gadd ..... D7/395

D175,707 S \* 10/1955 Bjorncranz ..... D8/310  
3,549,189 A \* 12/1970 Alosi ..... 294/57  
D270,706 S \* 9/1983 Cleminshaw ..... D8/83  
D271,841 S \* 12/1983 Hansen ..... D7/395  
D282,710 S \* 2/1986 Vosbikian ..... D8/1  
D315,615 S \* 3/1991 Goldstein ..... D26/113  
D320,752 S \* 10/1991 Koziol ..... D10/40  
5,685,751 A \* 11/1997 Feyas ..... 441/75  
6,113,520 A \* 9/2000 Greiner ..... 482/82  
D448,644 S \* 10/2001 Perala et al. .... D8/107

\* cited by examiner

*Primary Examiner*—Alan P. Douglas

*Assistant Examiner*—Susan M Lee

(74) *Attorney, Agent, or Firm*—Squire Sanders & Dempsey LLP

(57) **CLAIM**

The ornamental design for a leash, as shown and described.

**DESCRIPTION**

FIG. 1 is a perspective view of a leash according to a first embodiment of the invention;

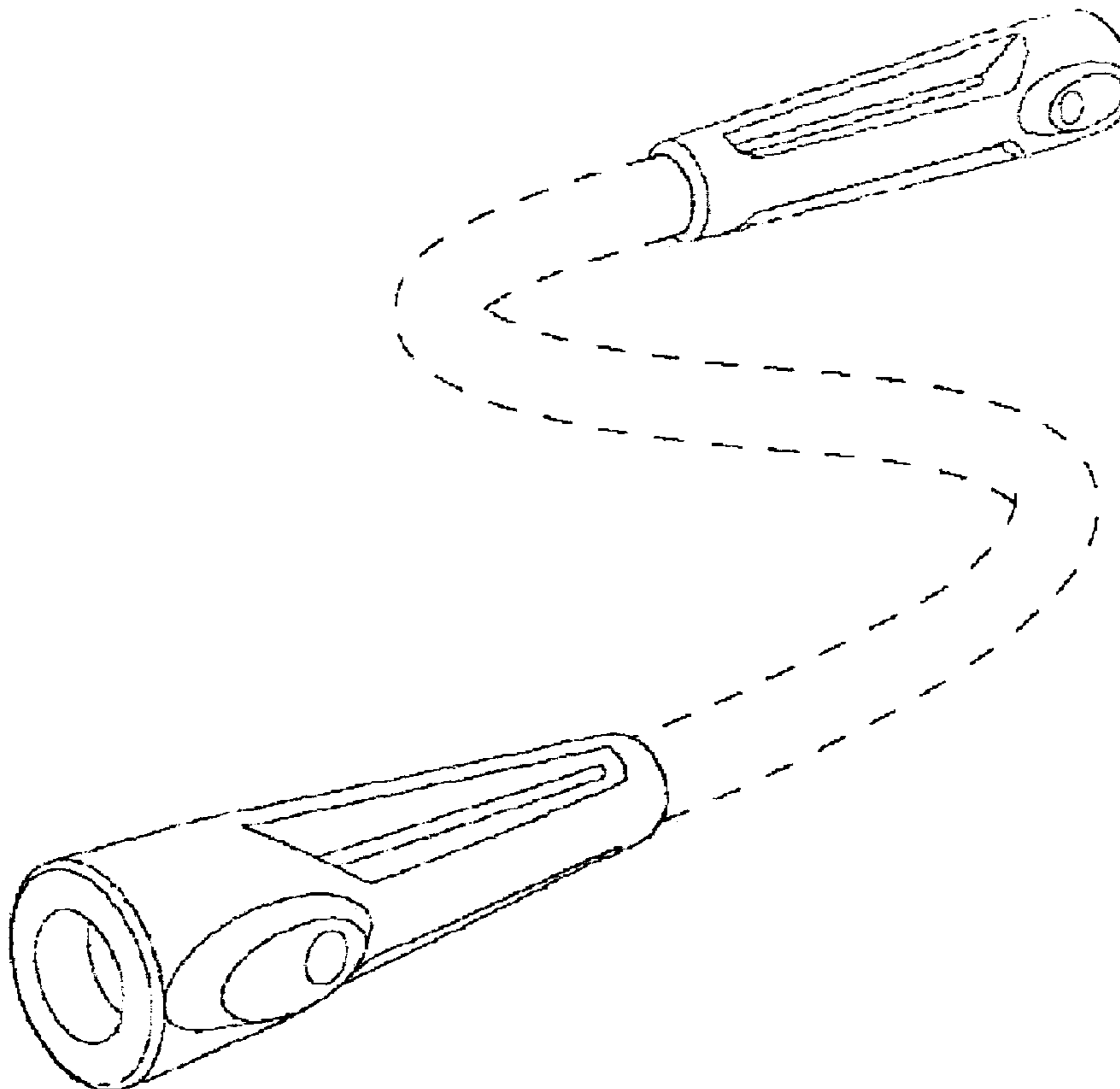
FIG. 2 is a top view of the leash of FIG. 1;

FIG. 3 is a front view of the leash of FIG. 1; and,

FIG. 4 is a right side view of the leash of FIG. 1.

The features shown in broken lines are for illustrative purposes only and form no part of the claimed design.

**1 Claim, 2 Drawing Sheets**



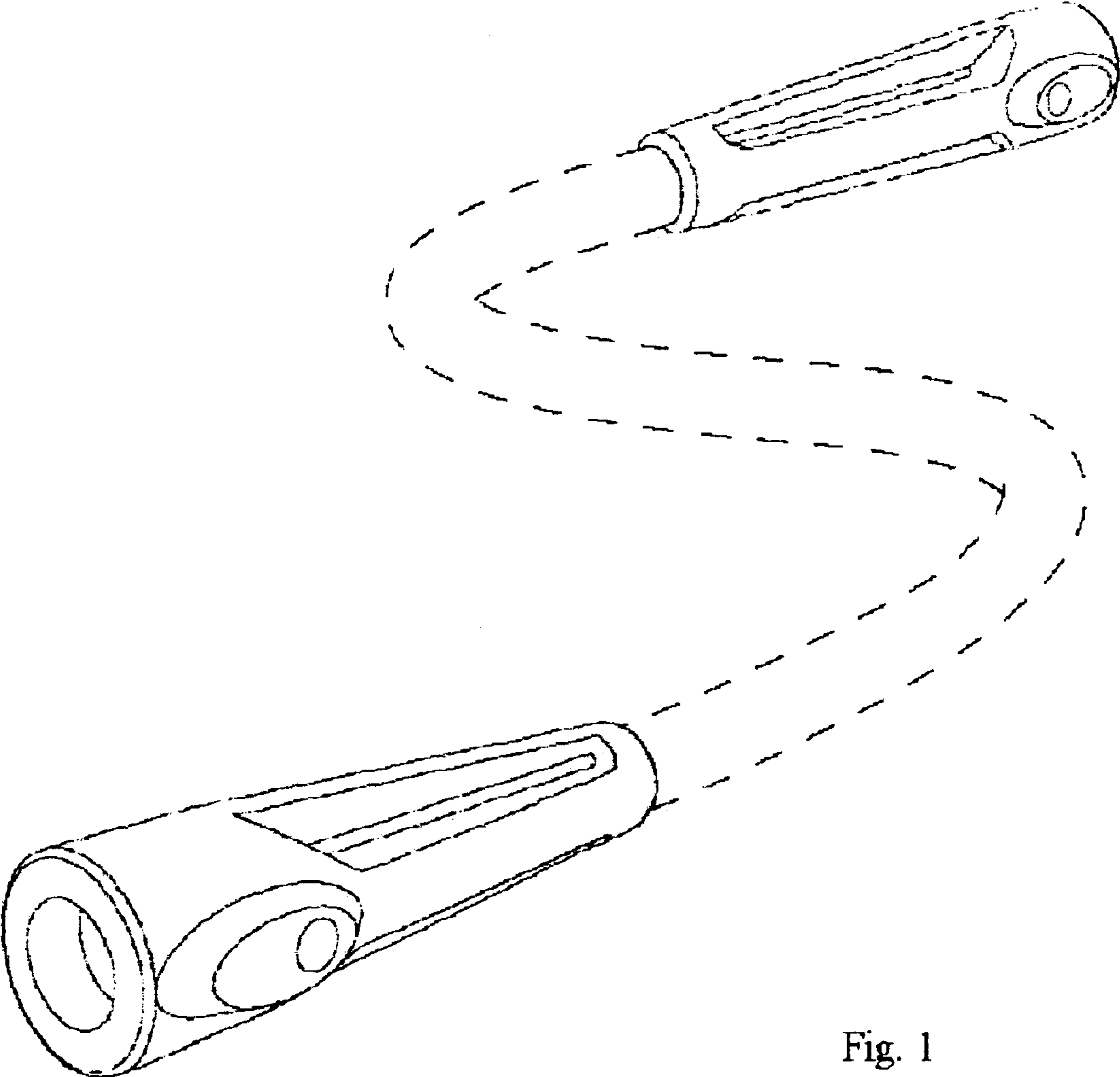


Fig. 1

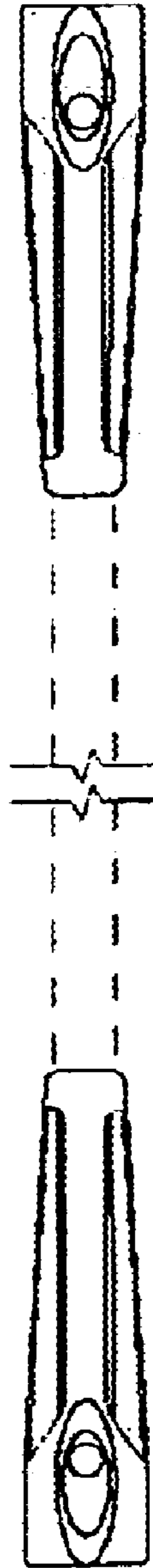


Fig. 2

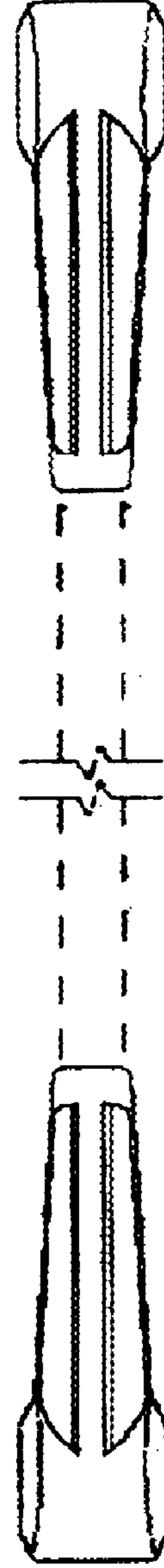


Fig. 3



Fig. 4