

US00D508969S

(12) **United States Design Patent**
Hasebe

(10) **Patent No.:** **US D508,969 S**
(45) **Date of Patent:** **** Aug. 30, 2005**

(54) **GOLF CLUB HEAD**

(75) Inventor: **Yu Hasebe**, Kawasaki (JP)

(73) Assignee: **Bridgestone Sports Co., Ltd.**, Tokyo (JP)

(**) Term: **14 Years**

(21) Appl. No.: **29/201,888**

(22) Filed: **Mar. 23, 2004**

(30) **Foreign Application Priority Data**

Sep. 23, 2003 (KR) 30-2003-0026722

(51) **LOC (8) Cl.** **21-02**

(52) **U.S. Cl.** **D21/752**

(58) **Field of Search** D21/733, 752;
473/324-331, 343-346

(56) **References Cited**

U.S. PATENT DOCUMENTS

D234,609 S	*	3/1975	Raymont	D21/752
D234,610 S	*	3/1975	Raymont	D21/752
D240,748 S	*	7/1976	Bock	D21/752
D253,778 S	*	12/1979	Madison	D21/752
D309,488 S	*	7/1990	Langert	D21/733
D316,583 S	*	4/1991	Mahaffey et al.	D21/733
D410,053 S	*	5/1999	Wu	D21/733

OTHER PUBLICATIONS

U.S. Appl. No. 29/201,891, filed Mar. 23, 2004, Hasebe, A V-shaped Central Section Defined by Grooves on a Face of a Golf Club Head

* cited by examiner .

Primary Examiner—Mitchell Siegel

(74) *Attorney, Agent, or Firm*—Morgan, Lewis & Bockius LLP

(57) **CLAIM**

The ornamental design for a golf club head, as shown.

DESCRIPTION

FIG. 1 is a front view of a golf club head in accordance with my new design.

FIG. 2 is a rear view of the golf club head in accordance with my new design.

FIG. 3 is a left-side view of the golf club head in accordance with my new design.

FIG. 4 is a right-side view of the golf club head in accordance with my new design.

FIG. 5 is a top view of the golf club head in accordance with my new design.

FIG. 6 is a bottom view of the golf club head in accordance with my new design.

FIG. 7 is a first perspective view of the golf club head in accordance with my new design.

FIG. 8 is a second perspective view of the golf club head in accordance with my new design; and,

FIG. 9 is a cross-section view taken along line 9—9 in FIG. 6.

1 Claim, 5 Drawing Sheets

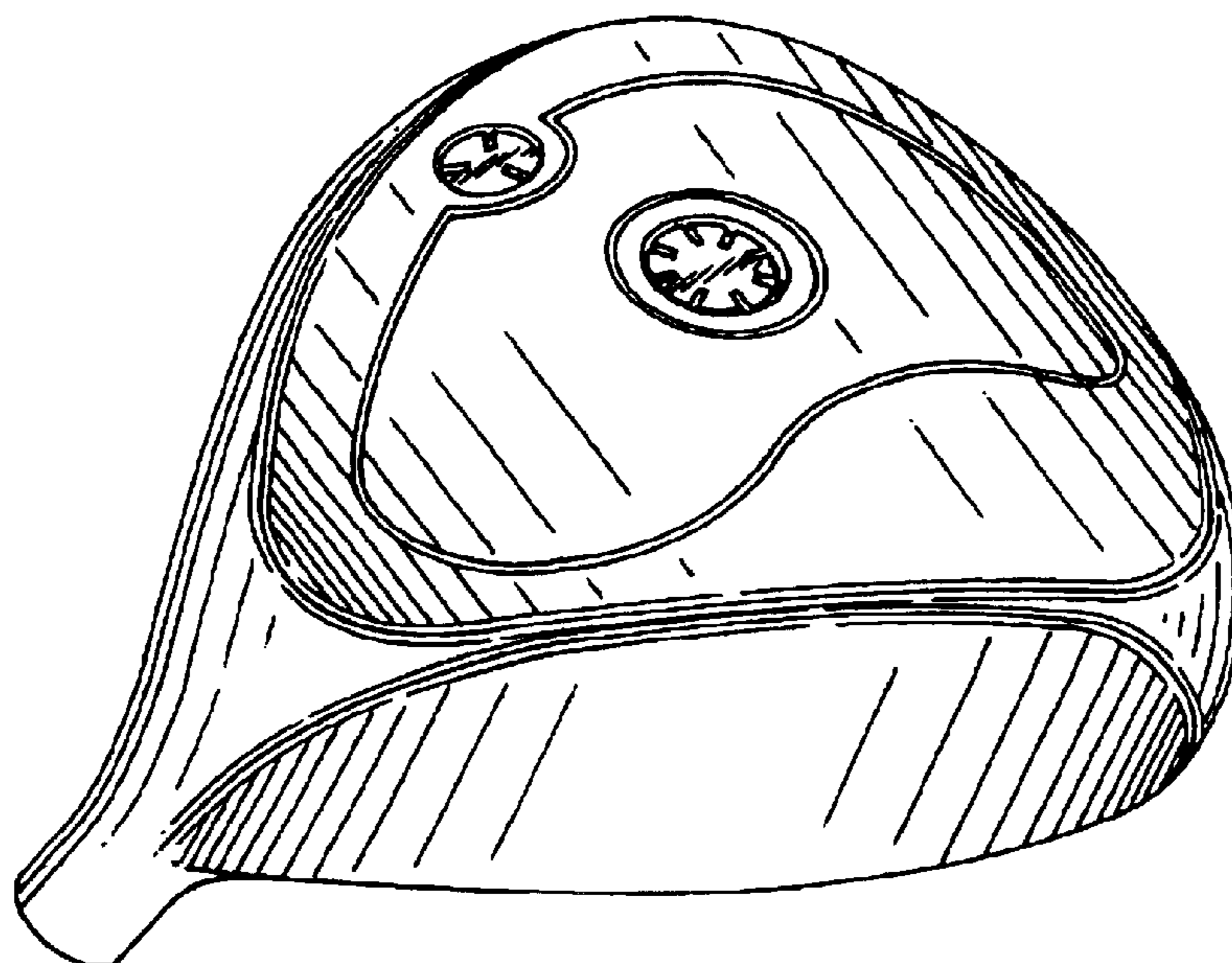


FIG. 1

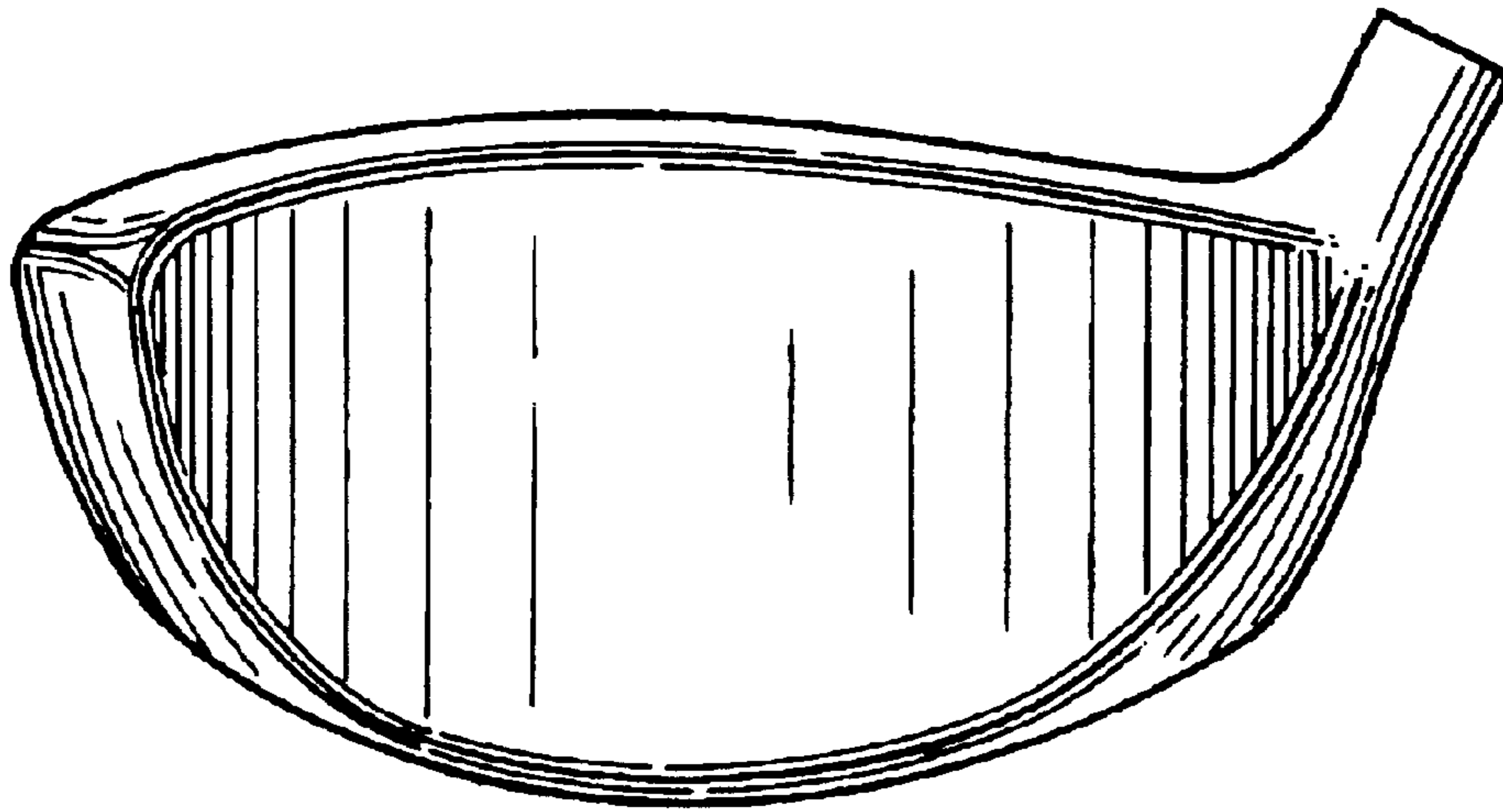


FIG. 2

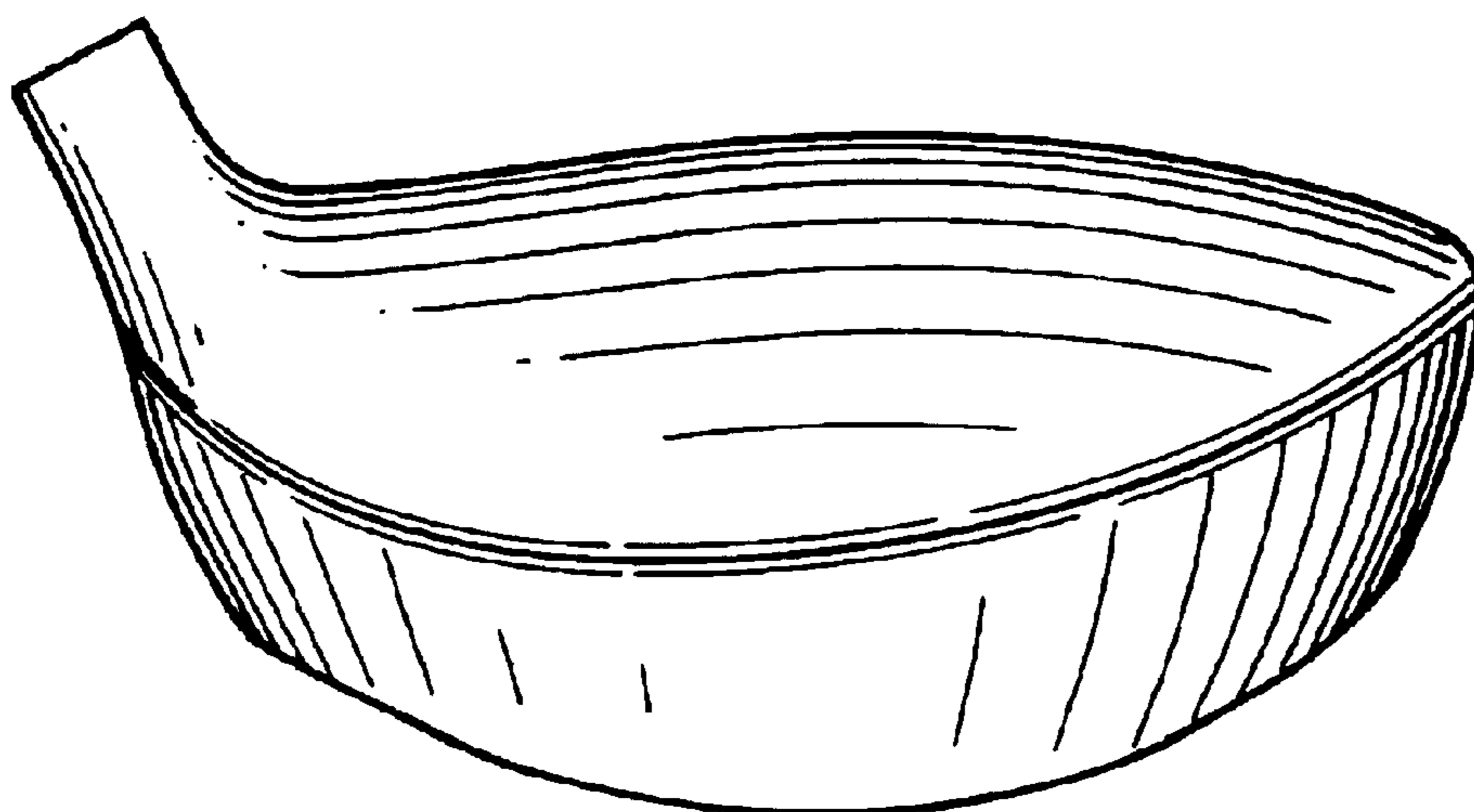


FIG. 3

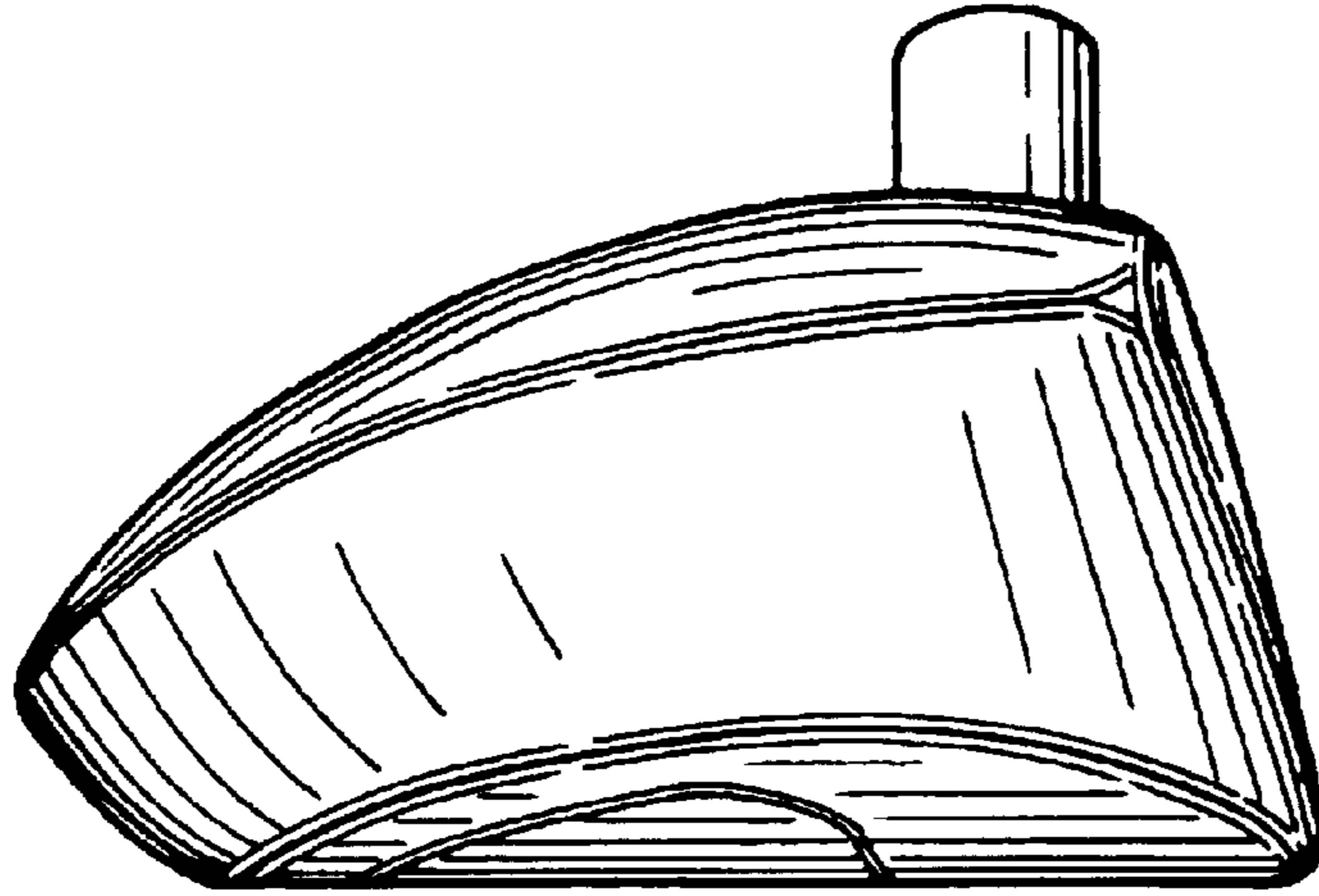


FIG. 4

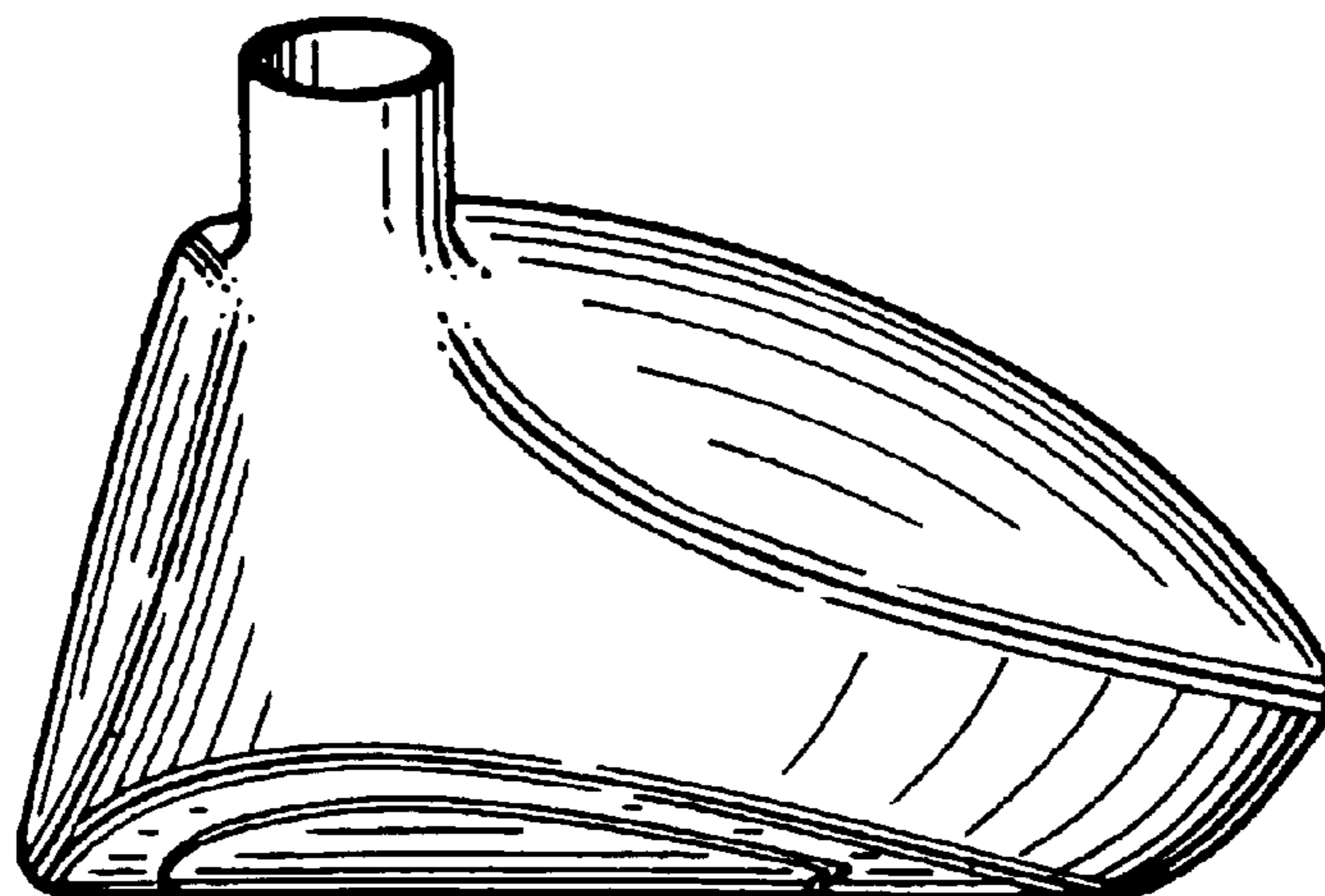


FIG. 5

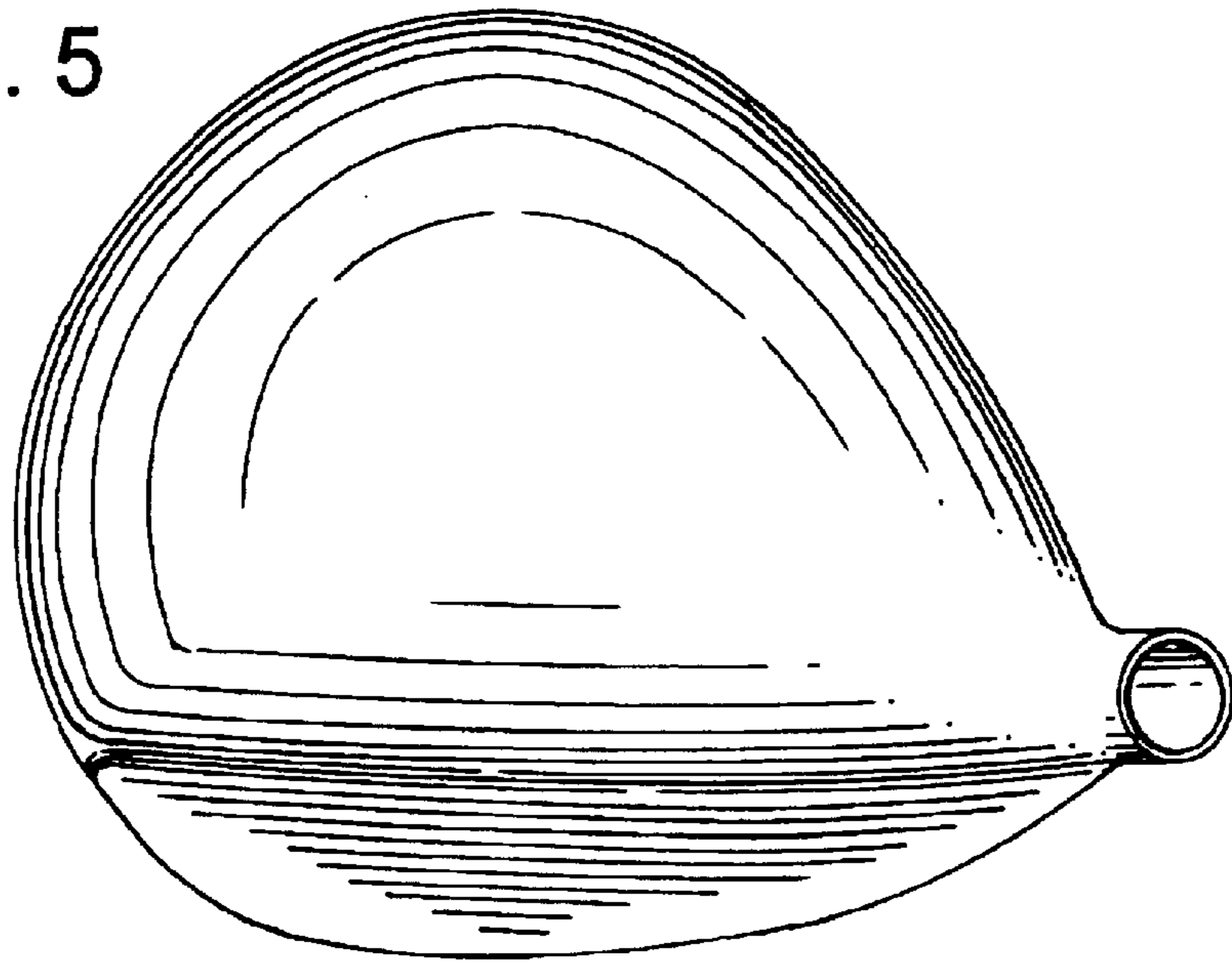


FIG. 6

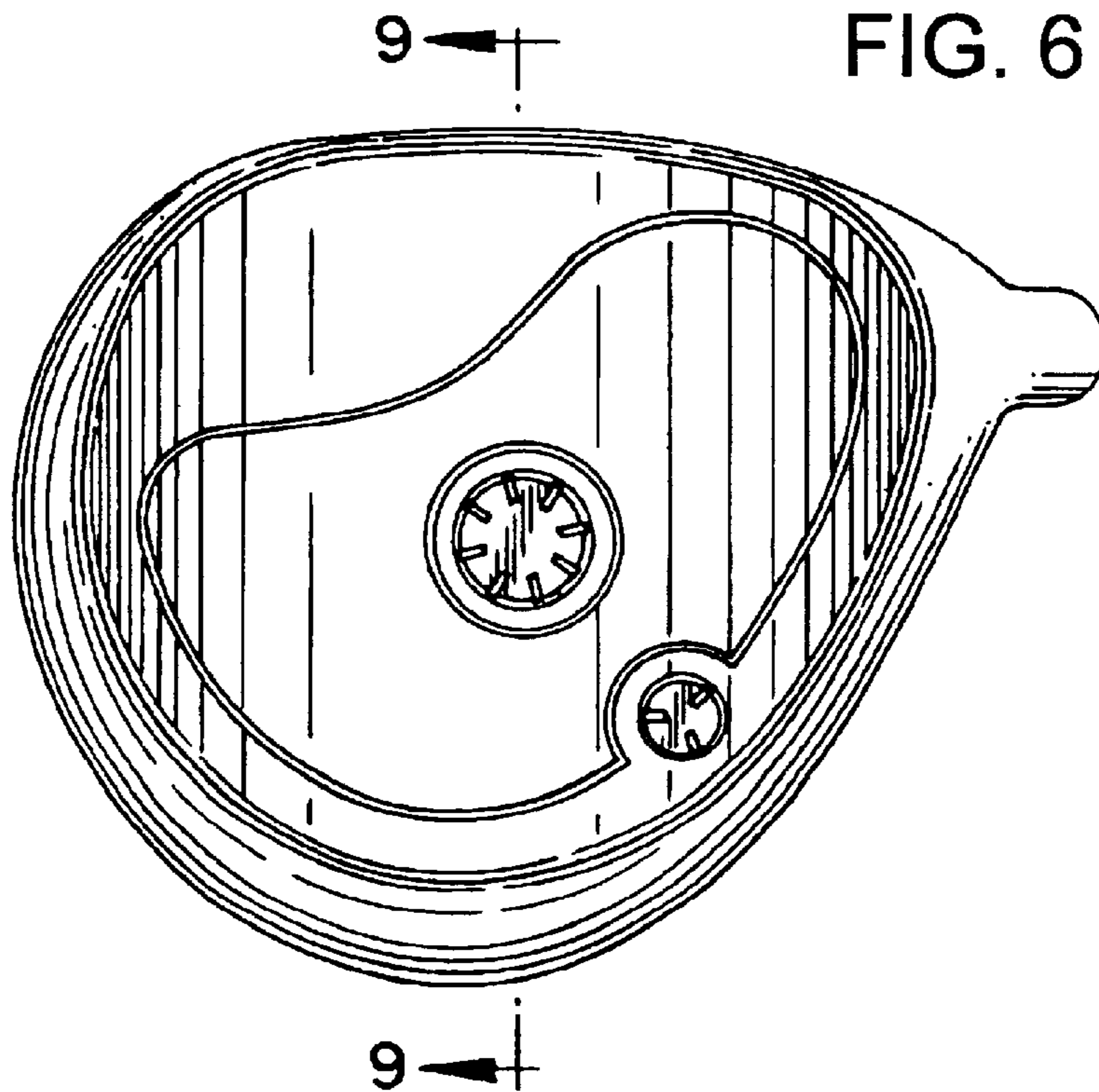


FIG. 7

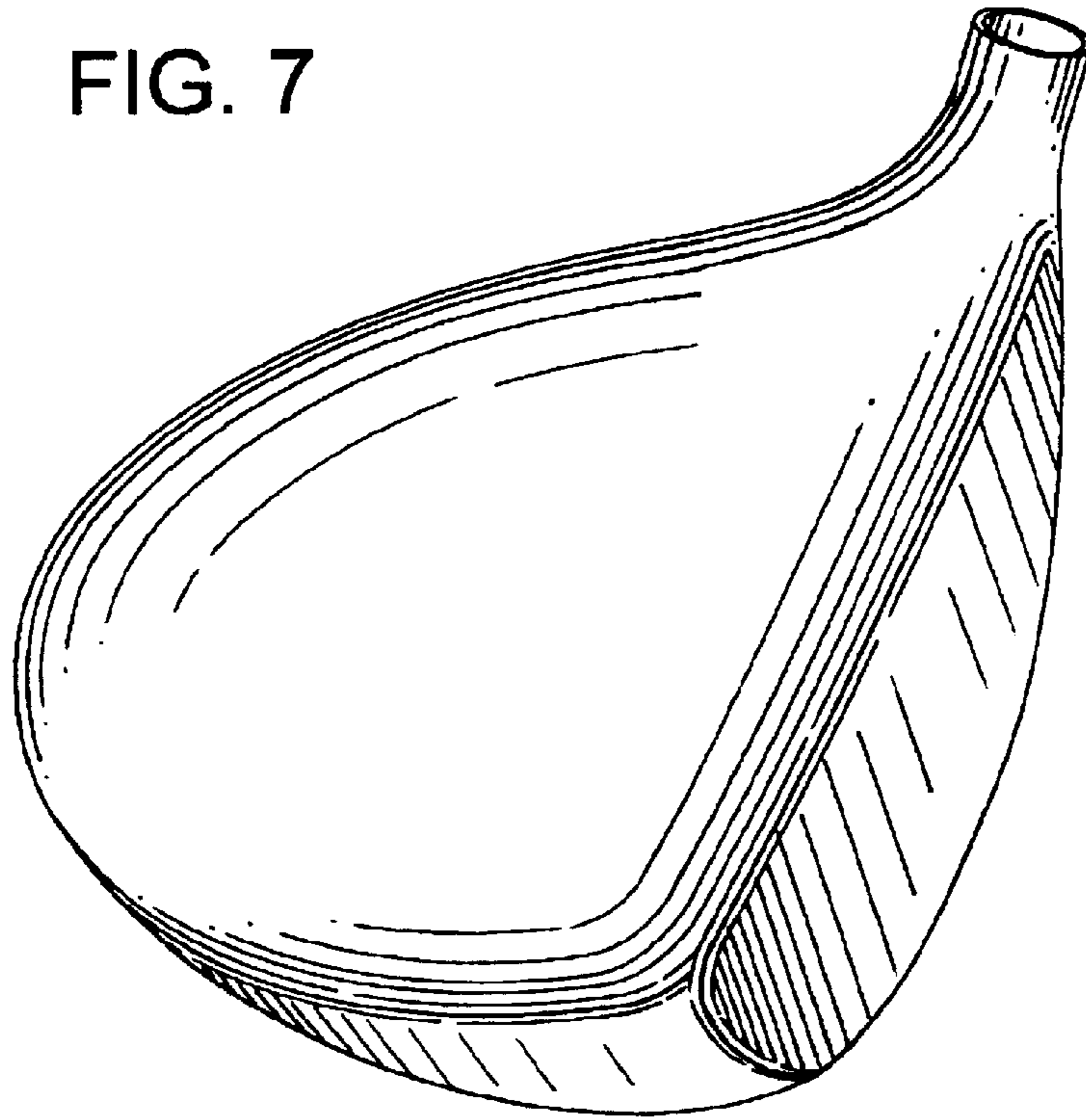


FIG. 8

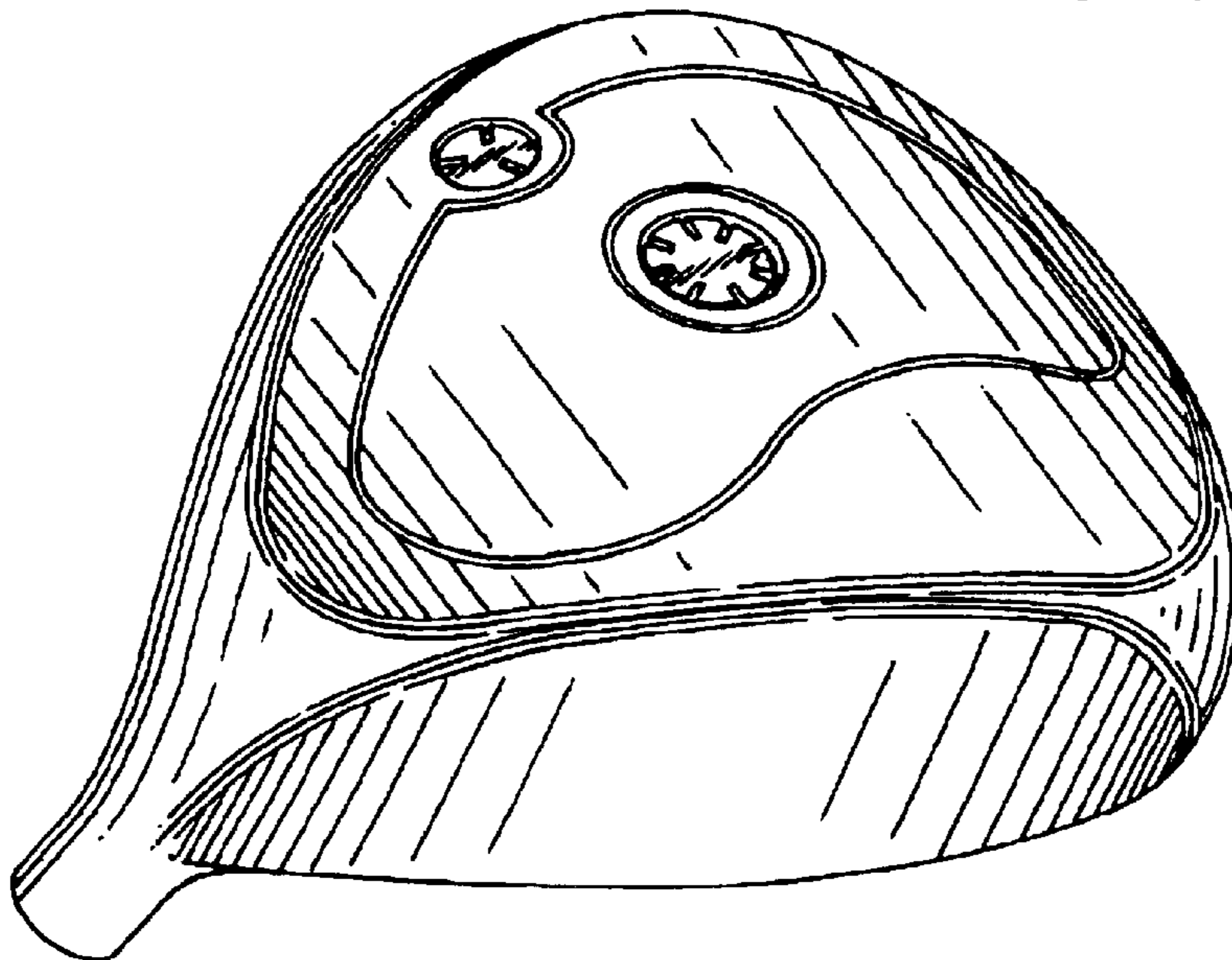


FIG. 9

