

US00D508967S

(12) **United States Design Patent**
Robinson

(10) **Patent No.:** **US D508,967 S**

(45) **Date of Patent:** **** Aug. 30, 2005**

(54) **GIRL TOY FIGURE**

D304,962 S * 12/1989 Watanabe D21/578
D486,191 S * 2/2004 Robinson D21/578

(76) Inventor: **Dyke N. Robinson**, 3710 Havenmoor
Pl., Katy, TX (US) 77449

(**) Term: **14 Years**

(21) Appl. No.: **29/222,649**

(22) Filed: **Feb. 2, 2005**

(51) **LOC (8) Cl.** **21-01**

(52) **U.S. Cl.** **D21/578; D21/594; D21/622;**
D21/648

(58) **Field of Search** **D21/576, 578-584,**
D21/585, 593, 594, 621, 622, 623, 627,
631, 630, 640, 645-649; D11/160; 446/268,
279, 97-101, 285, 316, 297-303, 317, 355,
376-384

OTHER PUBLICATIONS

Hong Kong Toys, 1987, p. 56, robots by Topmark International Limited.*

Hong Kong Toys, Vol. 1, 1995, p. 423 robot toys.*

Chiasso Catalog, Summer, 2001, p. 30, "Intellibot" robot.*

FAO Schwarz, Holiday, 2001, p. 65, toy robots.*

* cited by examiner

Primary Examiner—Lucy Lieberman

(74) *Attorney, Agent, or Firm*—Darcell Walker

(57) **CLAIM**

The ornamental design for a girl toy figure, as shown and described.

DESCRIPTION

FIG. 1 is a top plan view of a girl toy figure showing my new design;

FIG. 2 is a front elevation thereof;

FIG. 3 is a right side elevation thereof;

FIG. 4 is a rear elevation thereof;

FIG. 5 is a left side elevation thereof;

FIG. 6 is a bottom plan view thereof; and,

FIG. 7 is a perspective view thereof.

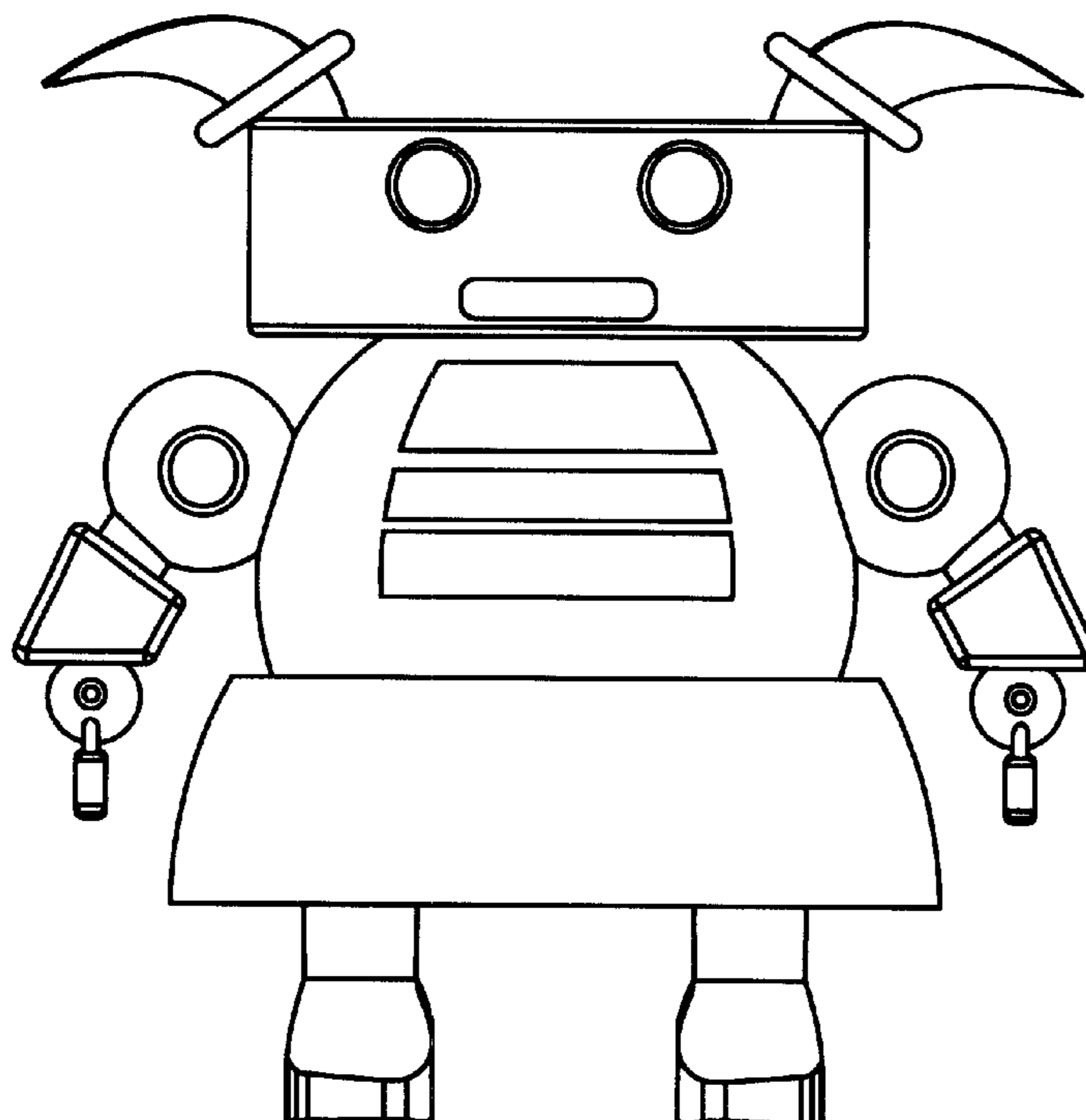
FIG. 7 is shown on an enlarged scale.

1 Claim, 3 Drawing Sheets

(56) **References Cited**

U.S. PATENT DOCUMENTS

D70,996 S	*	8/1926	Willmott	D21/648
D142,172 S	*	8/1945	MacCallum	D21/594
3,579,901 A	*	5/1971	Perhacs, Jr.	446/271
D253,711 S	*	12/1979	Christiansen et al.	D21/621
D262,474 S	*	12/1981	Doornick et al.	D21/578
D290,032 S	*	5/1987	Horiuchi	D21/578
D290,146 S	*	6/1987	Horiuchi	D21/578
4,673,371 A	*	6/1987	Furukawa	446/175
4,752,272 A	*	6/1988	Karasawa	446/289



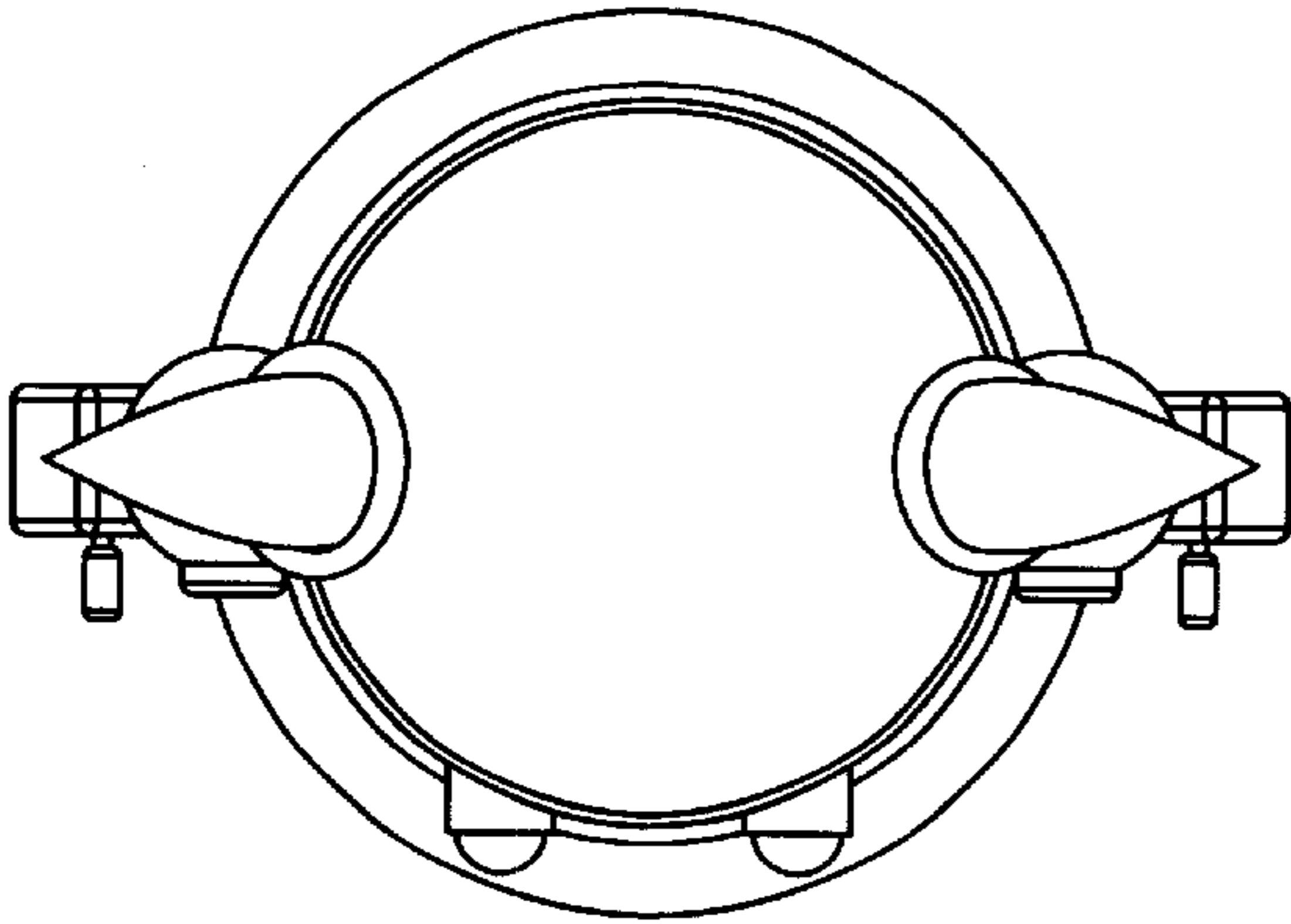


FIG. 1

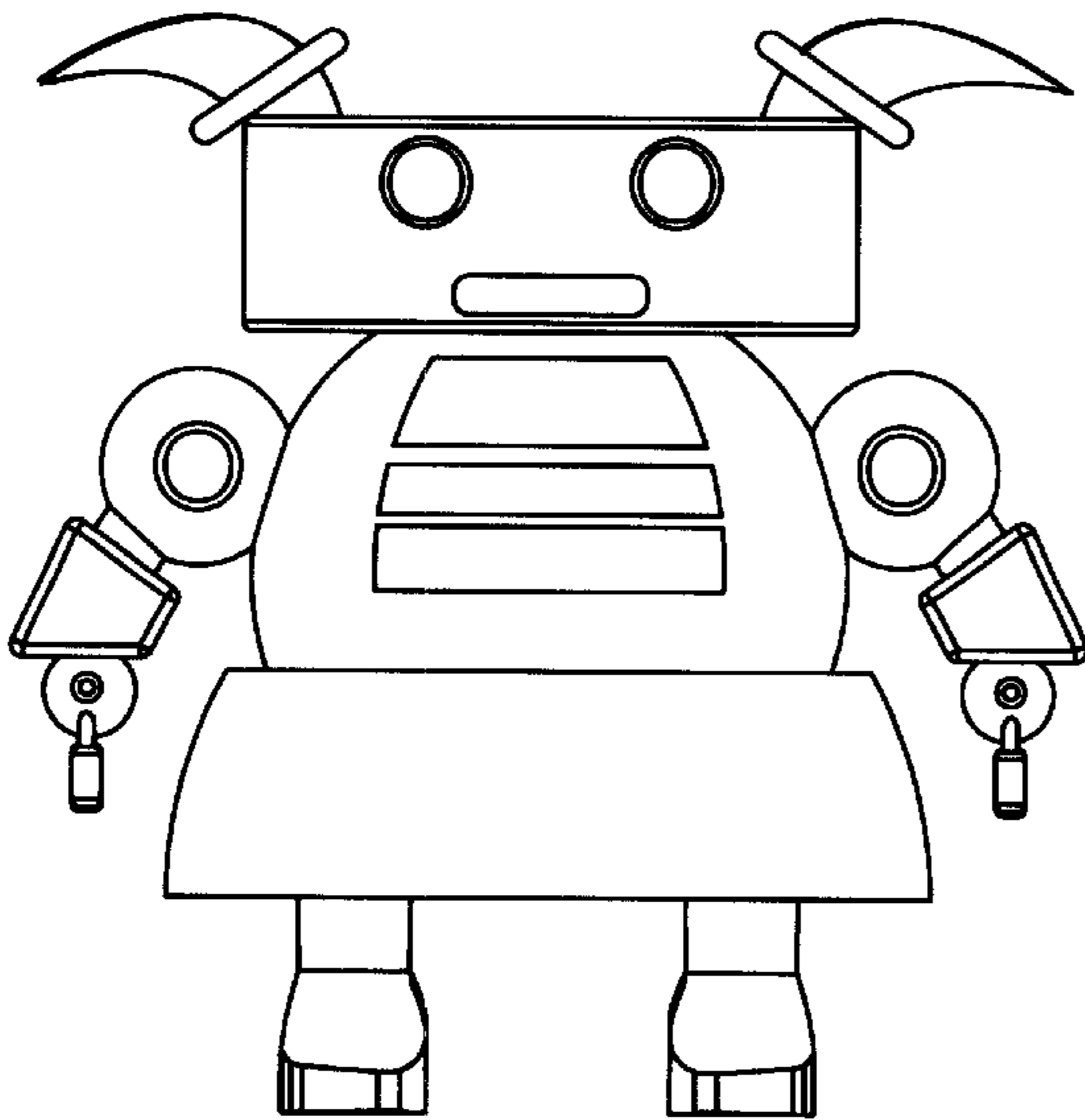


FIG. 2

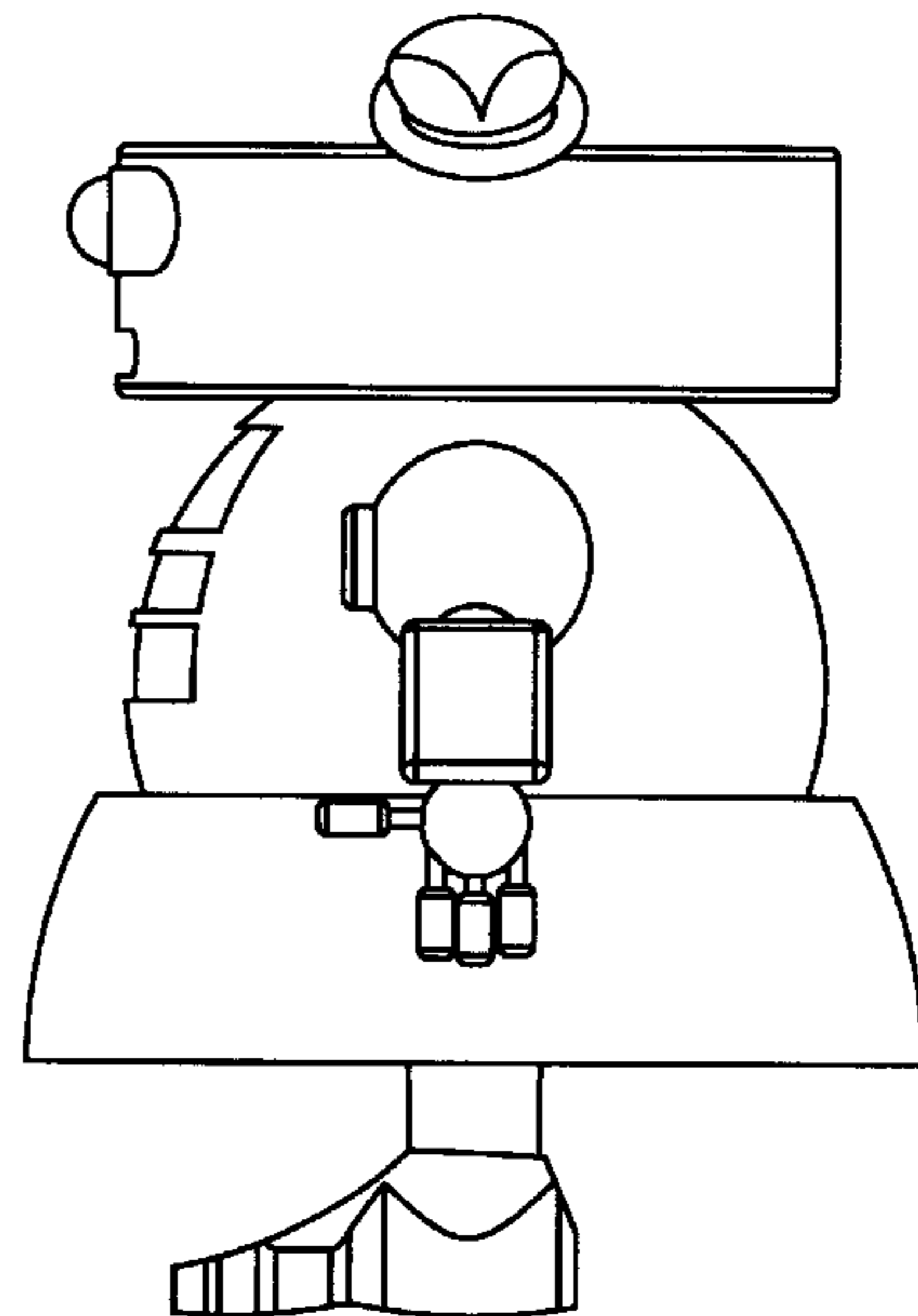


FIG. 3

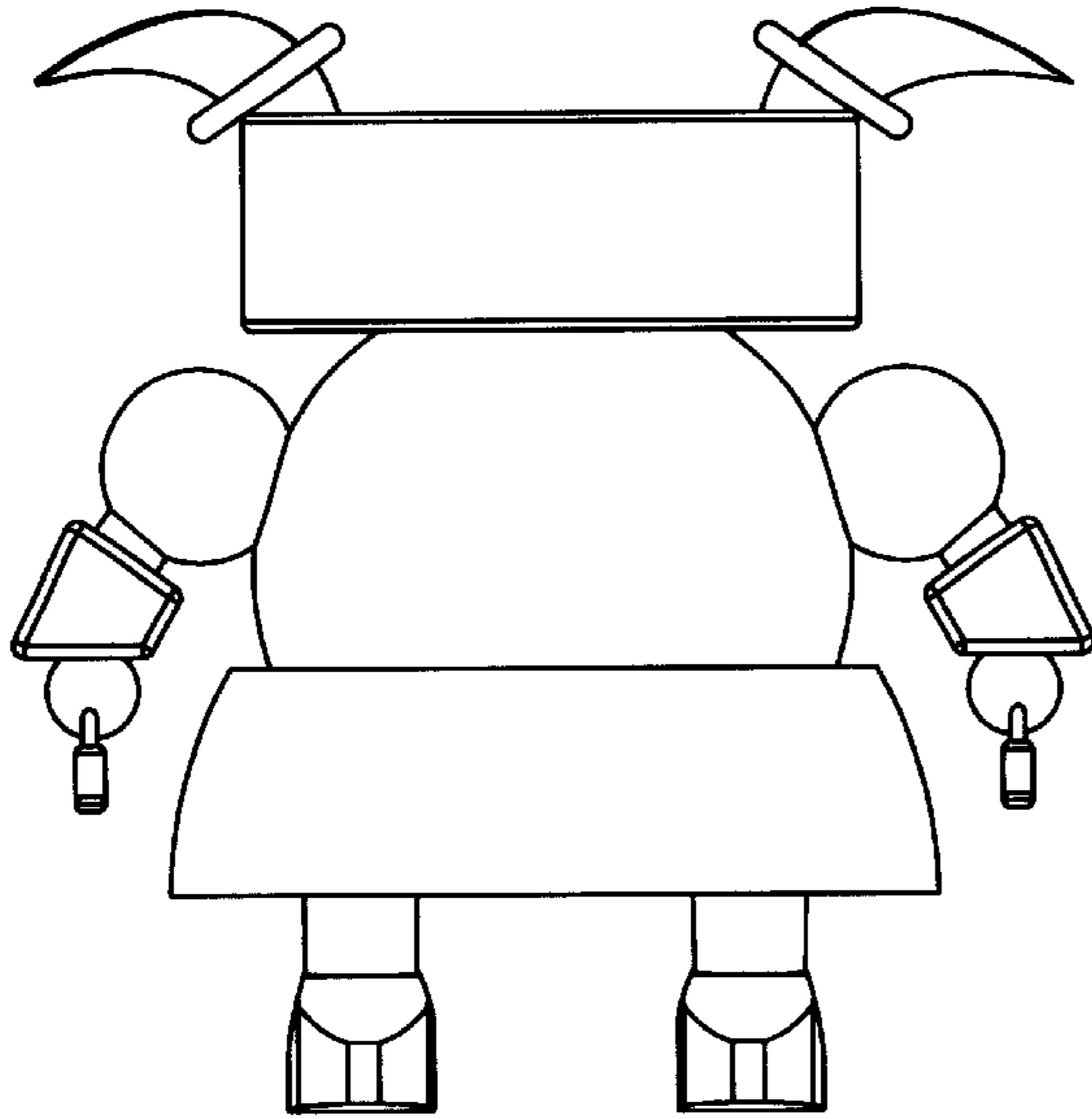


FIG. 4

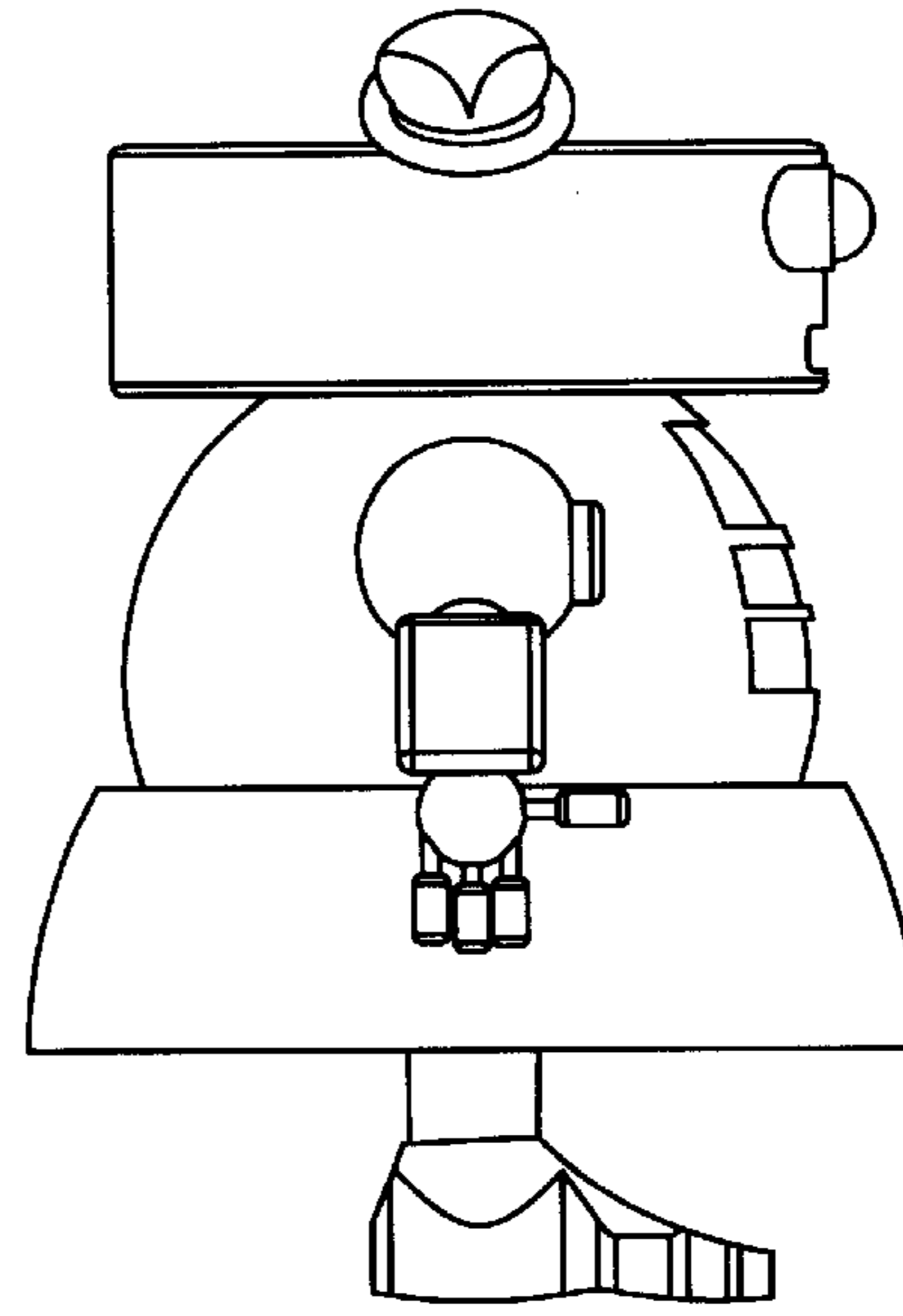


FIG. 5

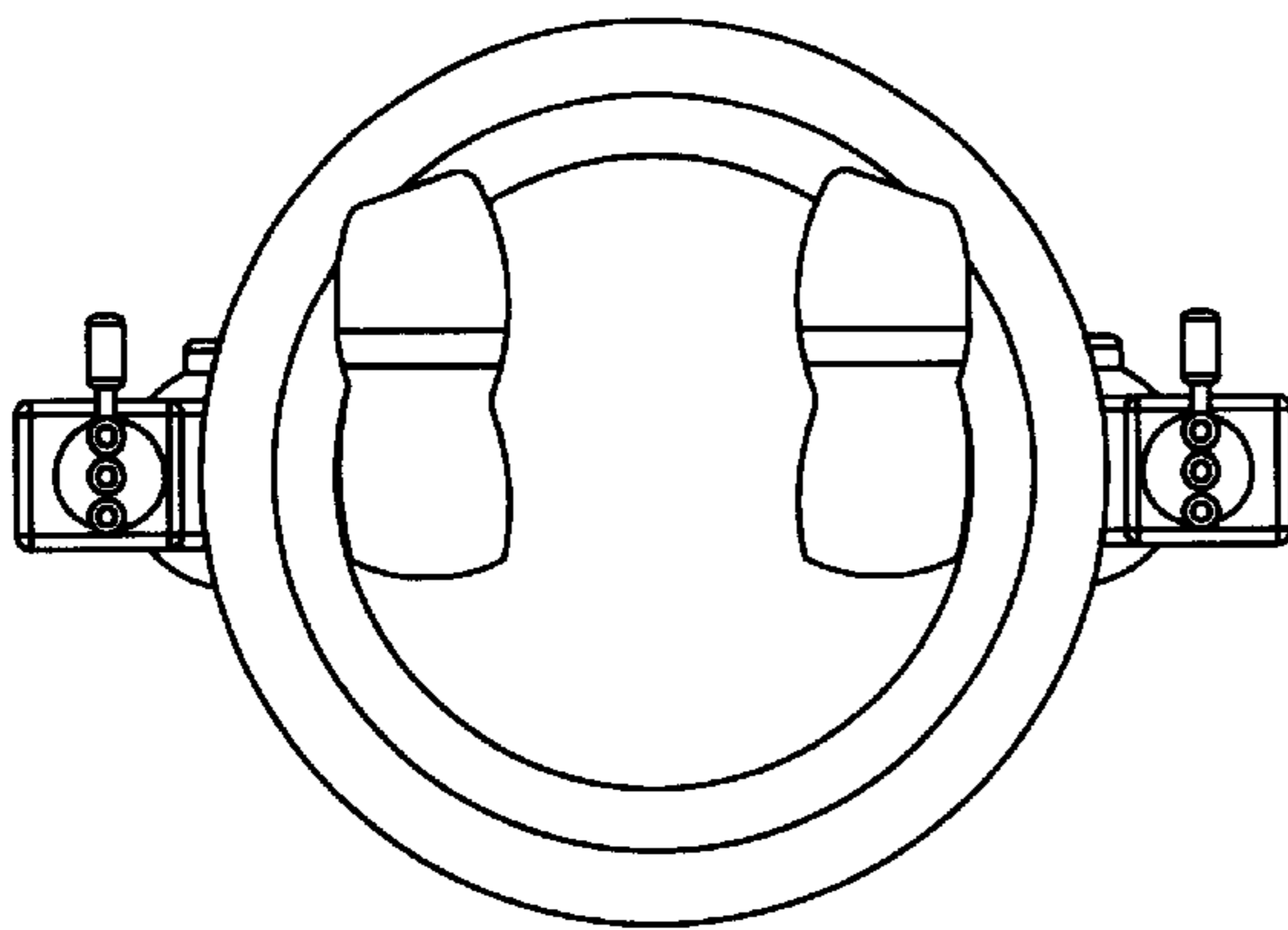


FIG. 6

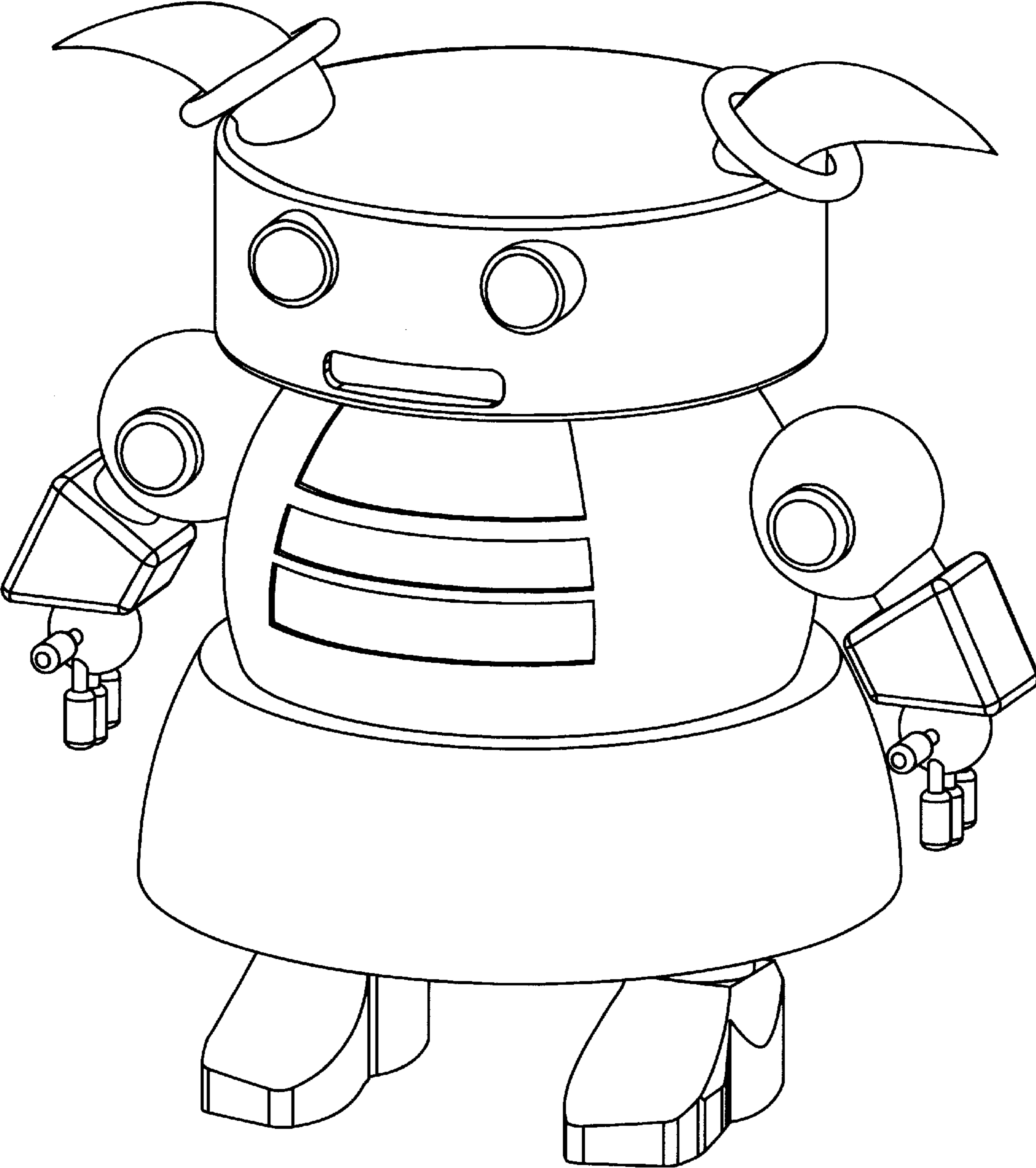


FIG. 7