

US00D508965S

(12) **United States Design Patent**
Golliher

(10) **Patent No.:** **US D508,965 S**

(45) **Date of Patent:** **** Aug. 30, 2005**

(54) **OBJECT FOR THE CONTROL OF A
REMOTE CONTROLLED TOY FLYING
SAUCER THROUGH ATTITUDINAL
ORIENTATION OF THE OBJECT**

5,489,922 A	2/1996	Zloof	345/156
5,638,092 A	6/1997	Eng et al.	345/158
6,527,610 B1 *	3/2003	Hornsby et al.	446/175
6,552,714 B1	4/2003	Vust	345/157
6,778,380 B2	8/2004	Murray, Jr.	361/679
2002/0196174 A1	12/2002	Lai	

(75) Inventor: **Clayton R. Golliher**, Los Angeles, CA (US)

* cited by examiner

(73) Assignee: **Hope for Homeless Youth**, Los Angeles, CA (US)

Primary Examiner—Raphael Barkai
(74) *Attorney, Agent, or Firm*—Fullbright & Jaworski, L.L.P.

(**) Term: **14 Years**

(57) **CLAIM**

(21) Appl. No.: **29/216,608**

The ornamental design for an object for the control of a remote controlled toy flying saucer through attitudinal orientation of the object, as shown and described.

(22) Filed: **Nov. 5, 2004**

(51) **LOC (8) Cl.** **21-01**

(52) **U.S. Cl.** **D21/566**

(58) **Field of Search** D21/566, 324–333, D21/621–623, 632–633; D14/412–416, 217–218, 401; 446/454–456, 141–143, 297, 404, 479, 175; 273/148 B; 463/36–38; 74/471 R, 522; D11/26, 30, 32

DESCRIPTION

FIG. 1 is a perspective view of an object for the control of a remote controlled toy flying saucer through attitudinal orientation of the object.

FIG. 2 is a bottom view of the object for the control of a remote controlled toy flying saucer through attitudinal orientation of the object of FIG. 1; and,

FIG. 3 is a back view of the object for the control of a remote controlled toy flying saucer through attitudinal orientation of the object of FIG. 1.

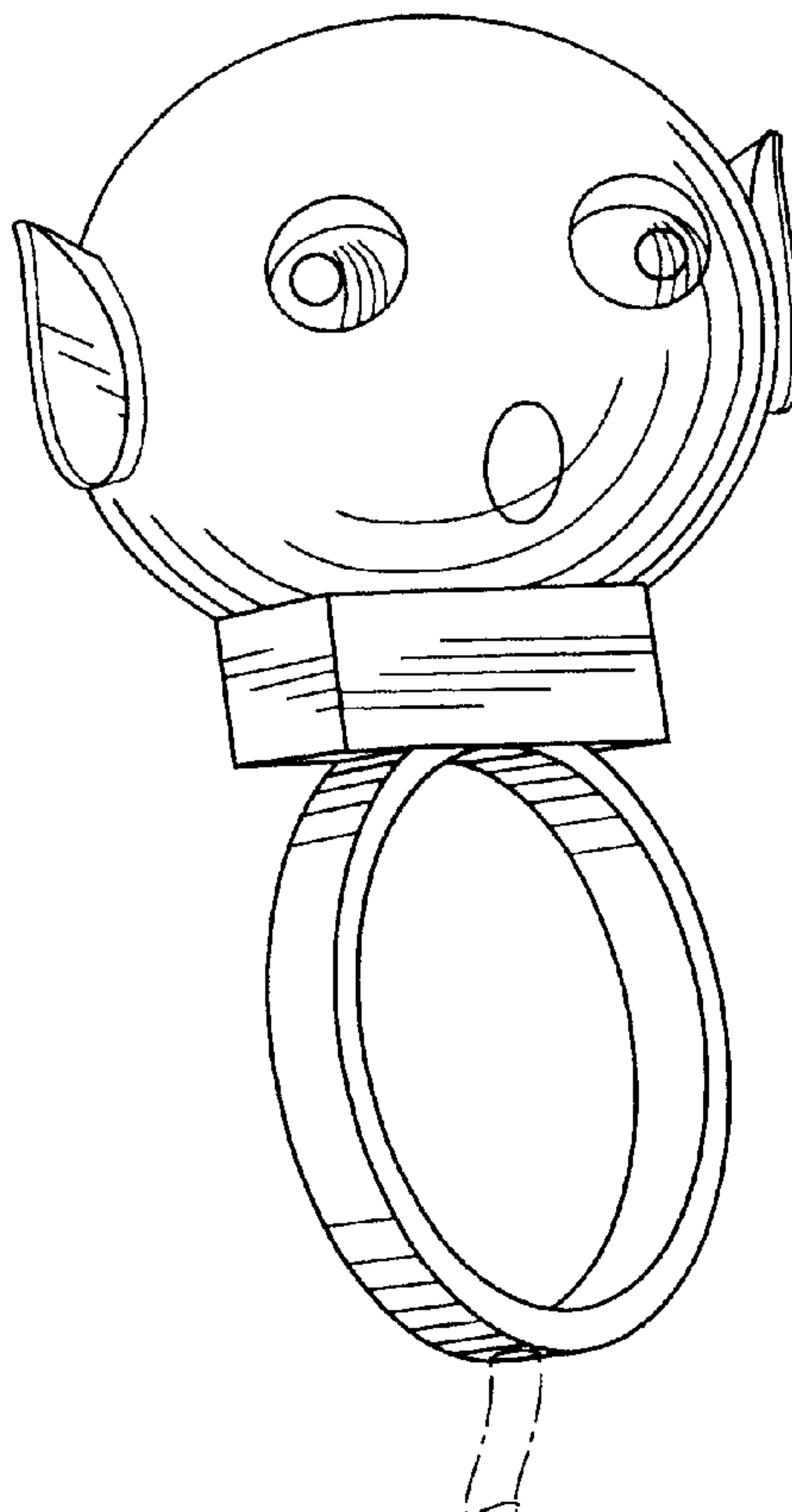
The broken lines shown in FIGS. 1–3 are for illustrative purposes only and form no part of the claimed design.

(56) **References Cited**

U.S. PATENT DOCUMENTS

D220,532 S	*	4/1971	Mineo	D11/26
D243,870 S	*	3/1977	Towne	D11/32
D292,224 S		10/1987	Trumbull	D21/189
5,481,265 A		1/1996	Russell	341/22

1 Claim, 1 Drawing Sheet



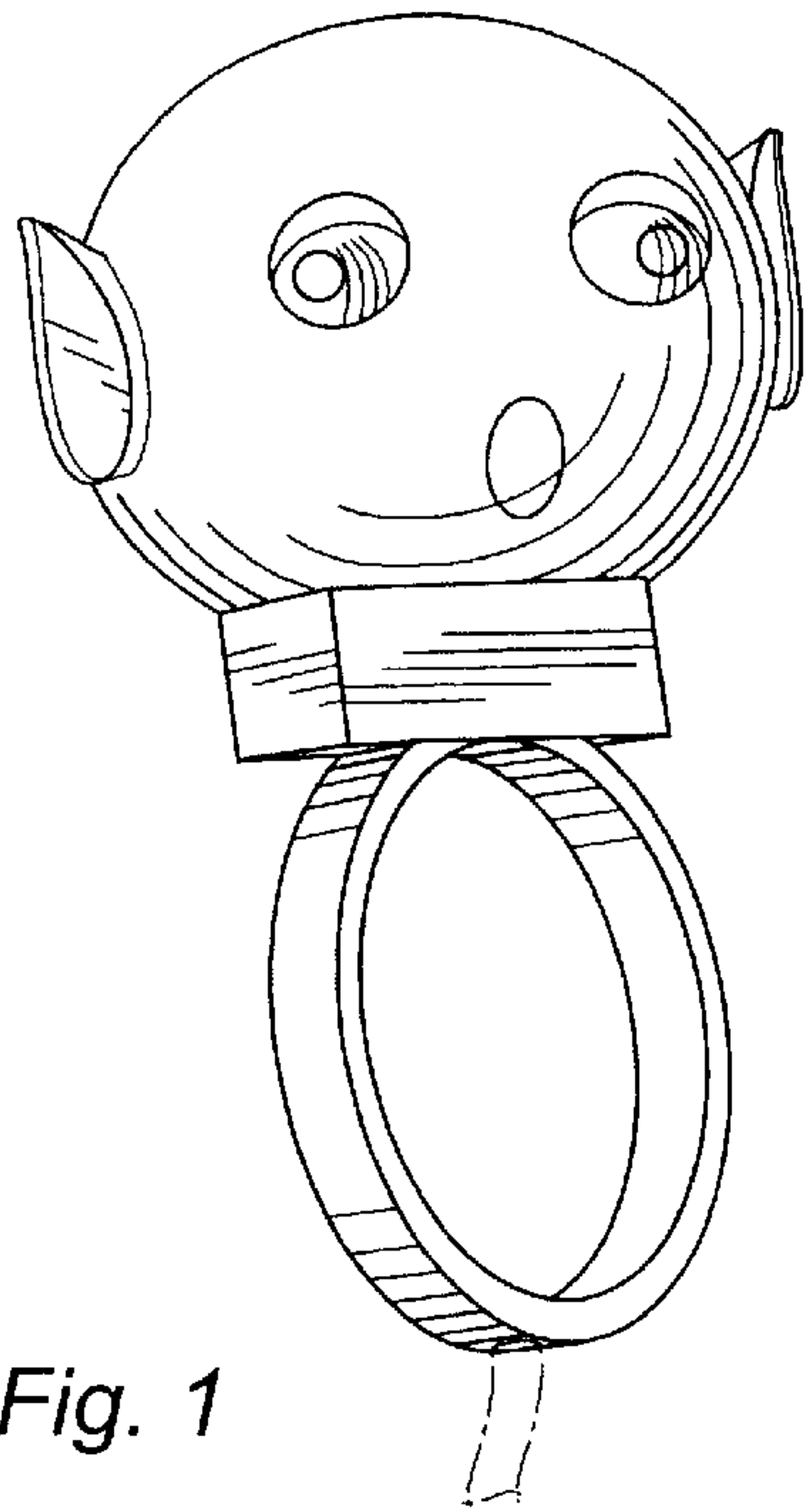


Fig. 1

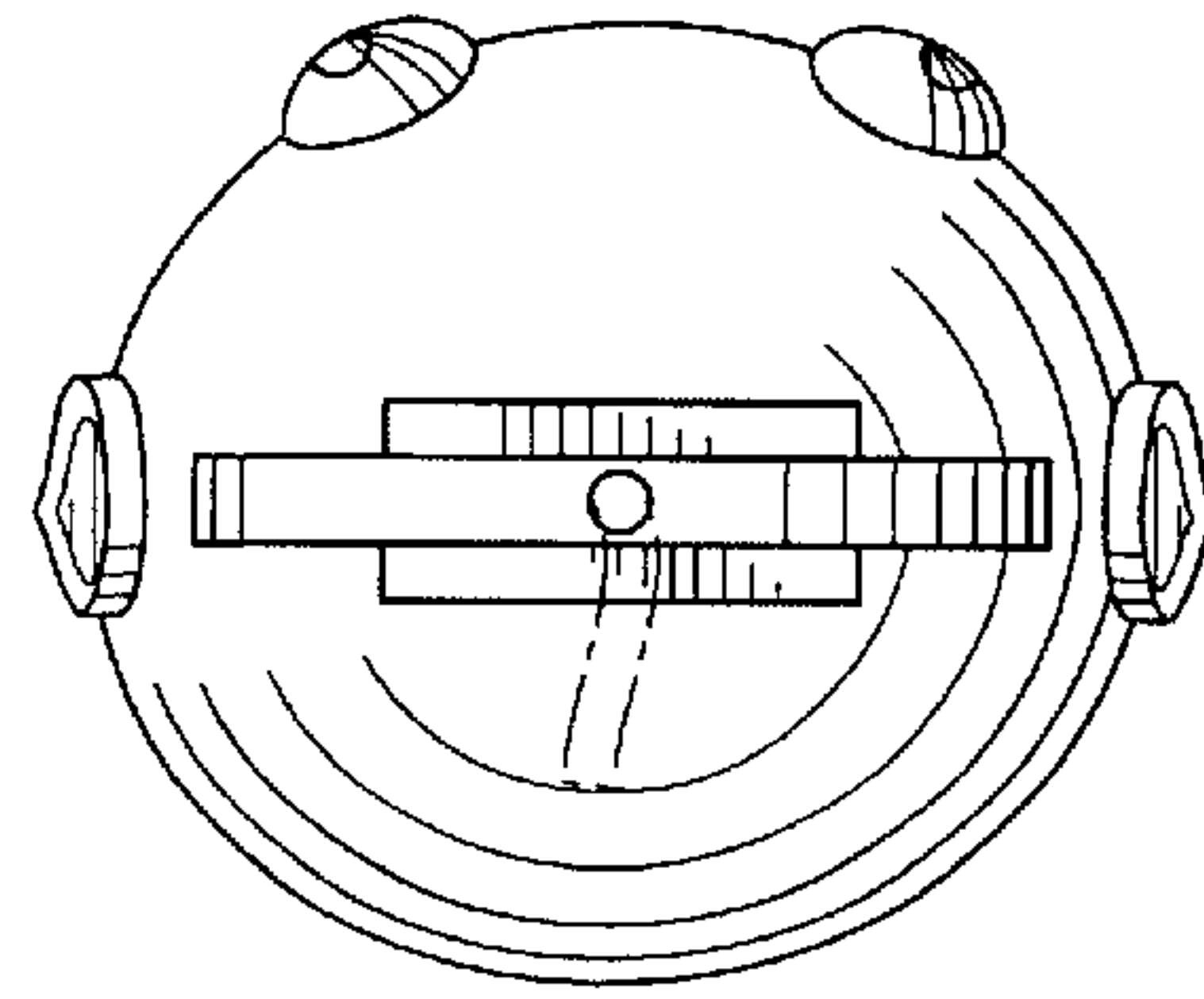


Fig. 2

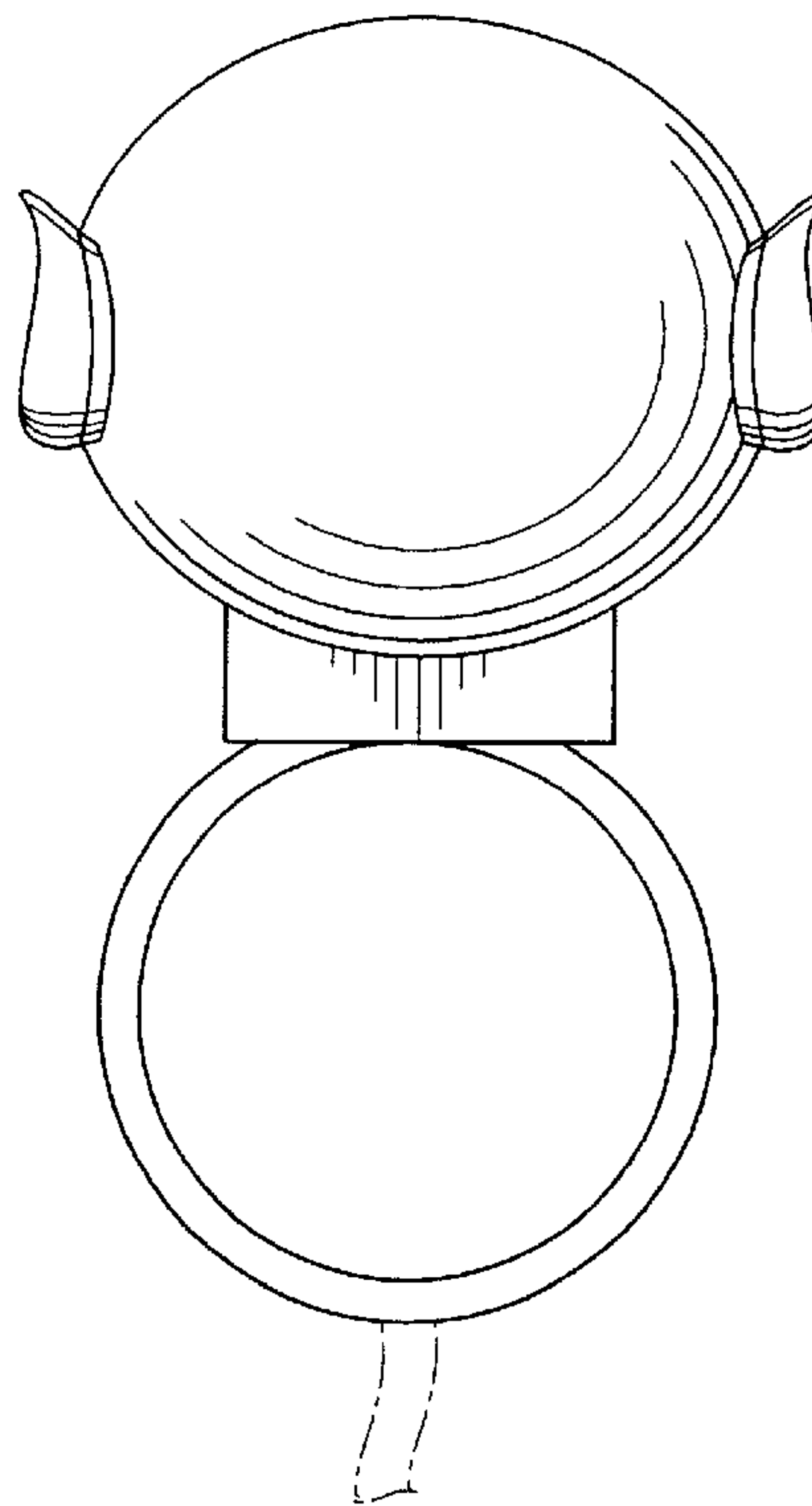


Fig. 3