

US00D508963S

(12) **United States Design Patent** (10) **Patent No.:** **US D508,963 S**
Discoe et al. (45) **Date of Patent:** **** Aug. 30, 2005**

(54) **TOY VEHICLE**

(75) Inventors: **Justin Discoe**, Windsor, CO (US);
Allan F. Papp, Mt. Laurel, NJ (US);
Robert John Romash, Marlton, NJ (US)

(73) Assignee: **Mattel, Inc.**, El Segundo, CA (US)

(**) Term: **14 Years**

(21) Appl. No.: **29/204,857**

(22) Filed: **May 5, 2004**

Related U.S. Application Data

(63) Continuation-in-part of application No. 29/182,350, filed on May 23, 2003, now abandoned.

(51) **LOC (8) Cl.** **21-01**

(52) **U.S. Cl.** **D21/550**

(58) **Field of Search** D21/433-434,
D21/533, 548-550, 552, 556, 559, 576-582,
584; D12/93, 96-98, 87; 446/93, 95, 465,
469-471, 441, 444, 448-451, 454-457

(56) **References Cited**

U.S. PATENT DOCUMENTS

5,102,367 A * 4/1992 Mullaney et al. 446/448
5,334,075 A * 8/1994 Kakizaki et al. 446/456
5,810,638 A * 9/1998 Wood 446/470

D408,471 S * 4/1999 Smolarczyk D21/550
D424,633 S * 5/2000 Hollis et al. D21/548
D424,634 S * 5/2000 Hollis et al. D21/548
D424,635 S * 5/2000 Hollis et al. D21/548
D431,612 S * 10/2000 Choi D21/550
D498,798 S * 11/2004 Wei D21/550

OTHER PUBLICATIONS

Hong Kong Toys, p. 811, 1989.*

* cited by examiner

Primary Examiner—Raphael Barkai

(74) *Attorney, Agent, or Firm*—Akin Gump Strauss Hauer & Feld, LLP

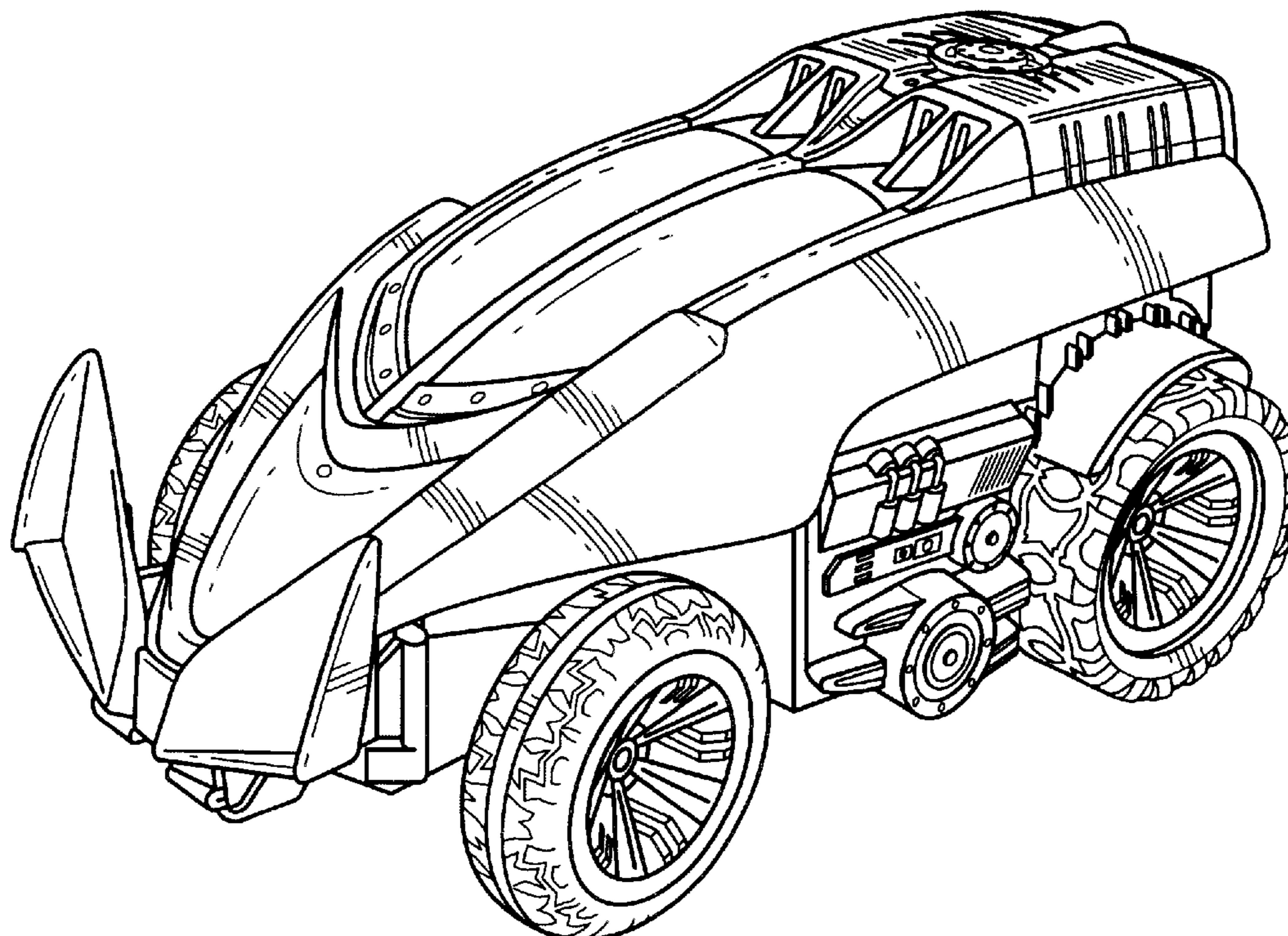
(57) **CLAIM**

The ornamental design for a toy vehicle, as shown and described.

DESCRIPTION

FIG. 1 is a side perspective view of a toy vehicle in accordance with our new design;
FIG. 2 is a top plan view thereof;
FIG. 3 is a bottom plan view thereof;
FIG. 4 is a left side elevational view thereof;
FIG. 5 is a right side elevational view thereof;
FIG. 6 is a front elevational view thereof; and,
FIG. 7 is a rear elevational view thereof.

1 Claim, 6 Drawing Sheets



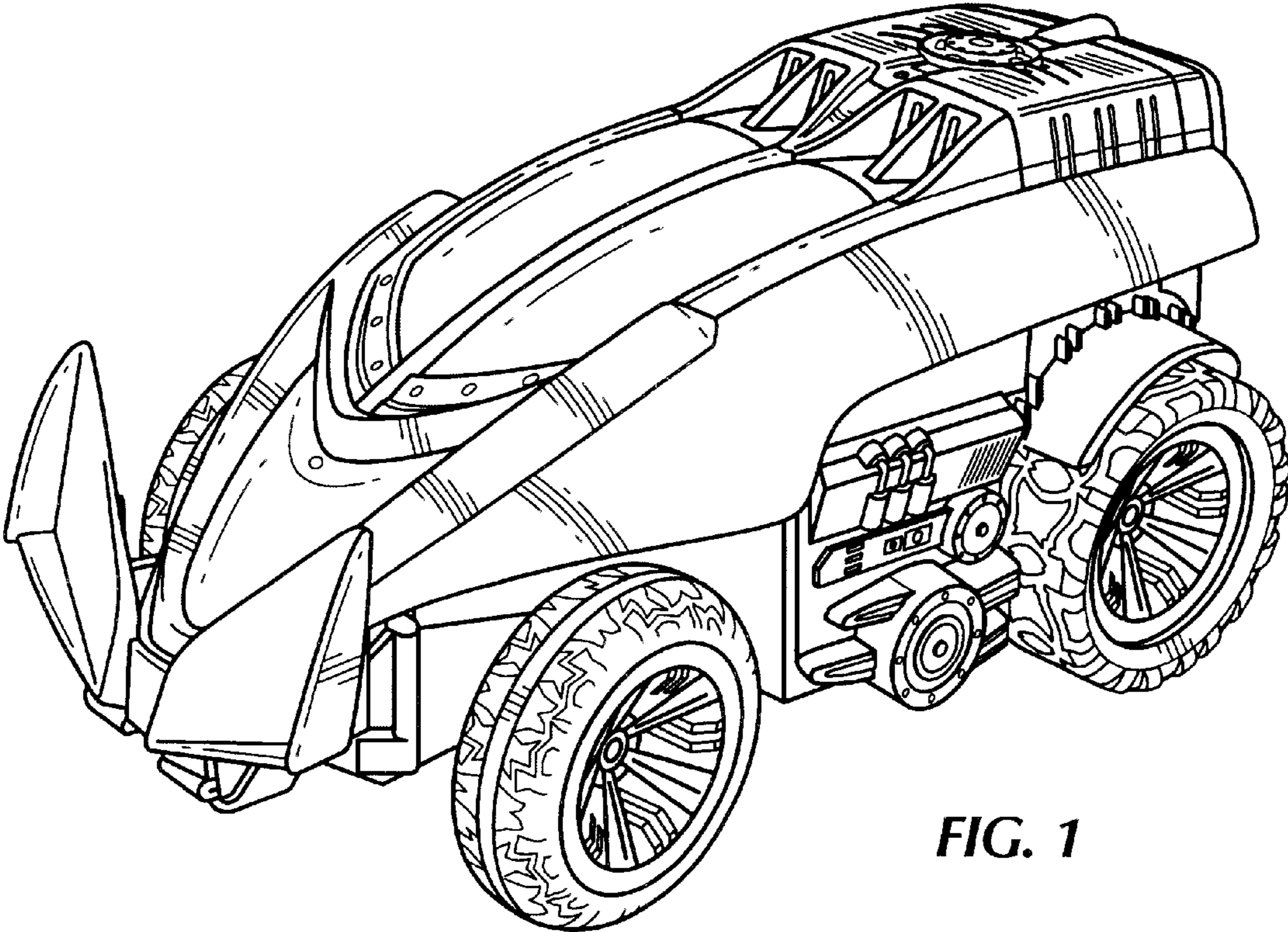


FIG. 1

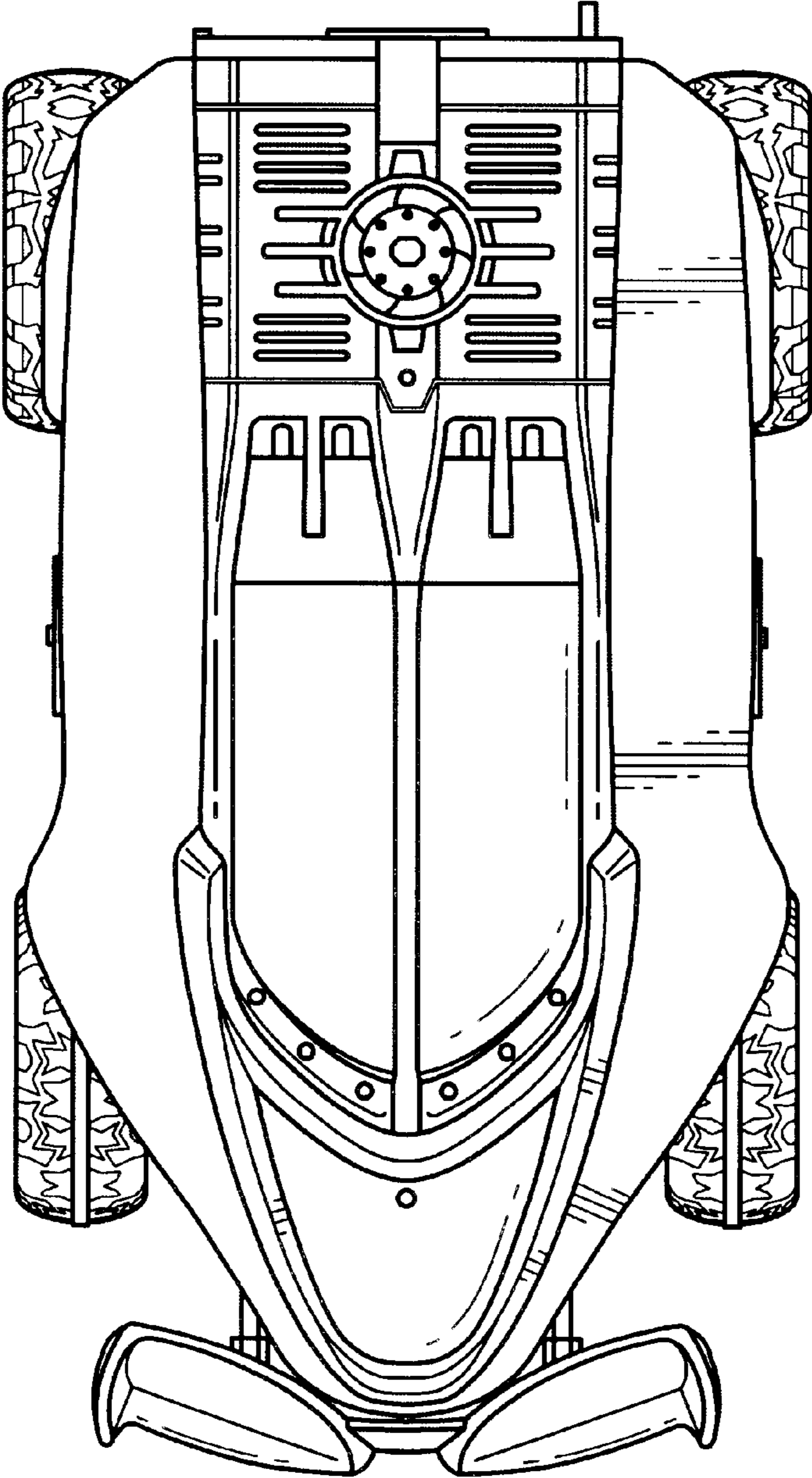


FIG. 2

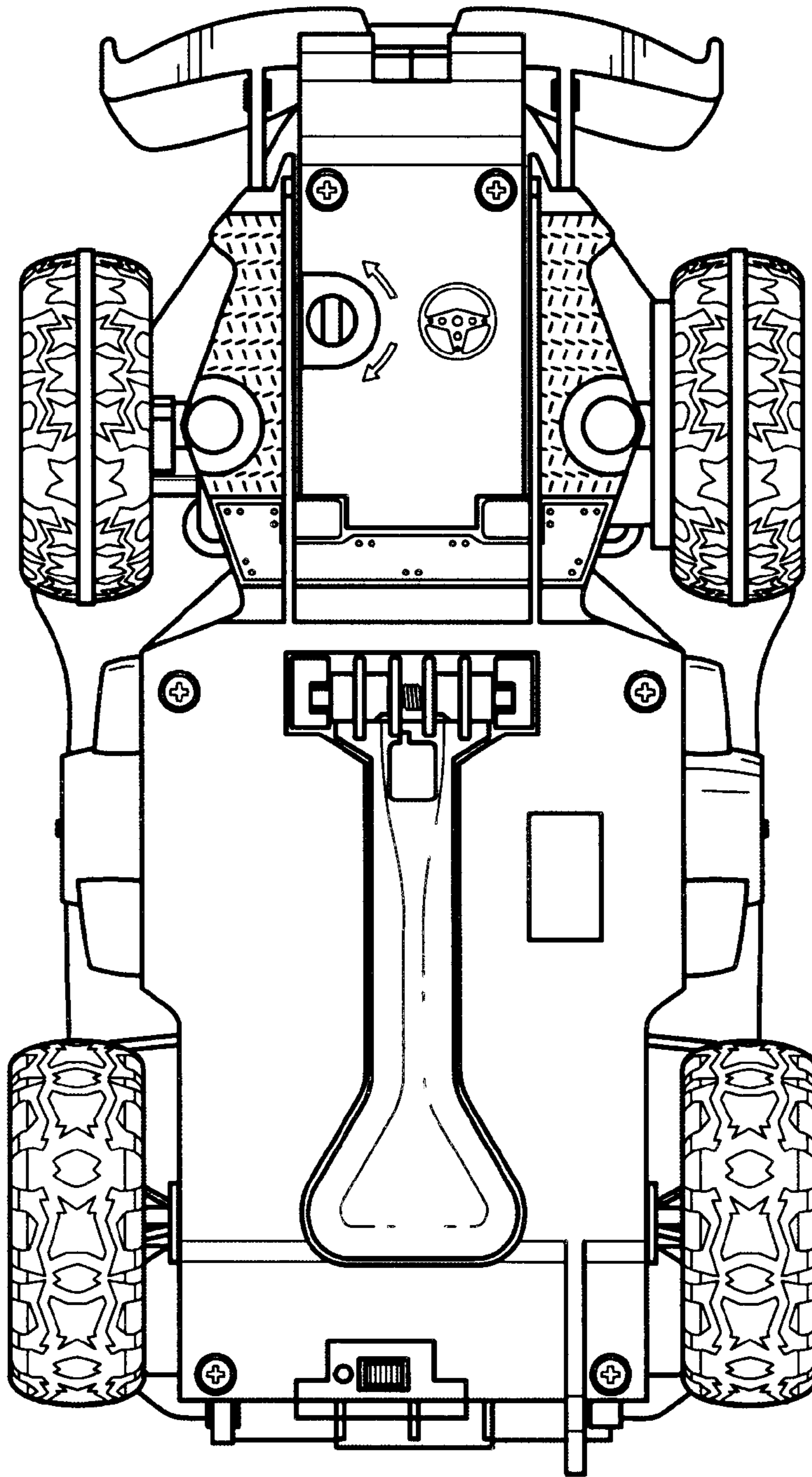


FIG. 3

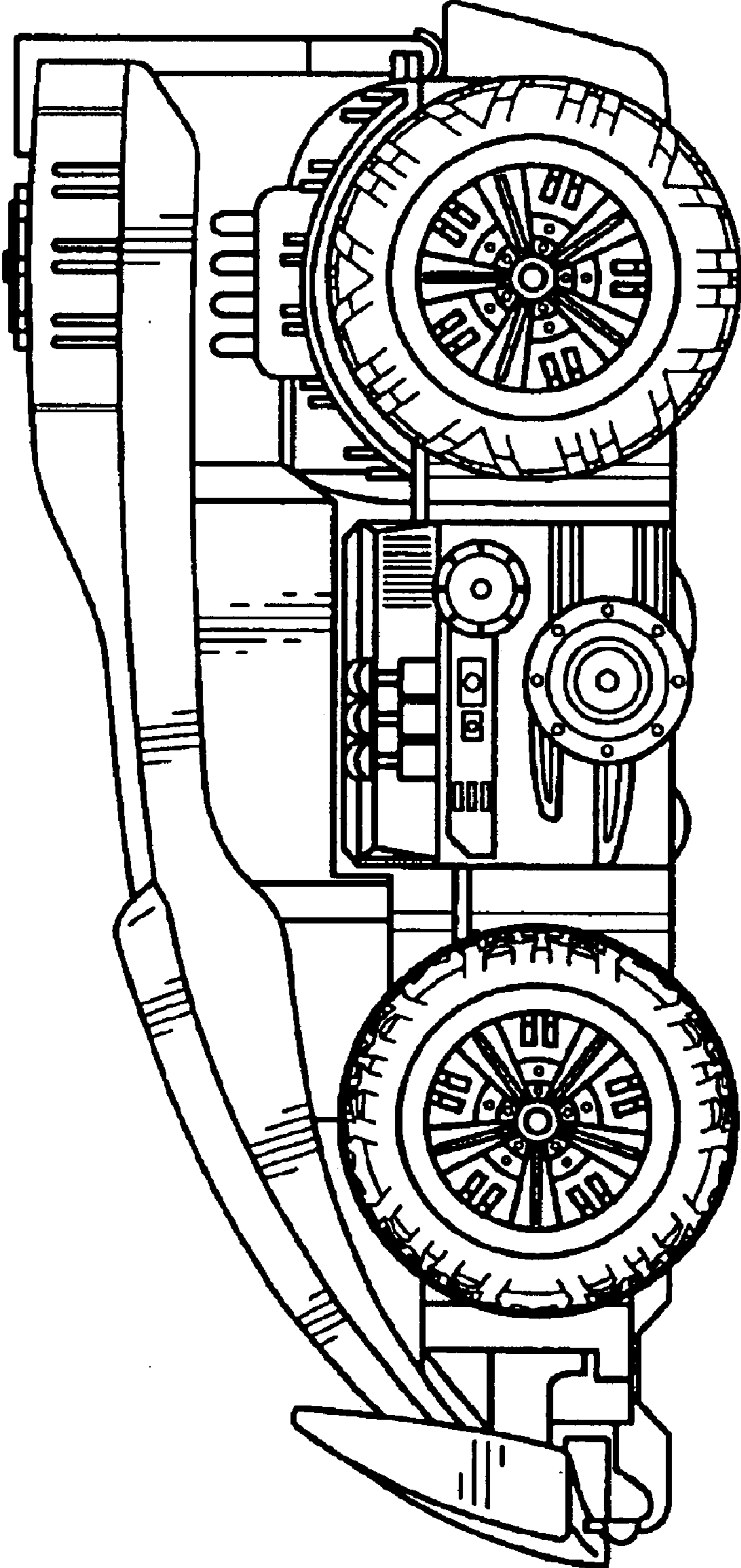


FIG. 4

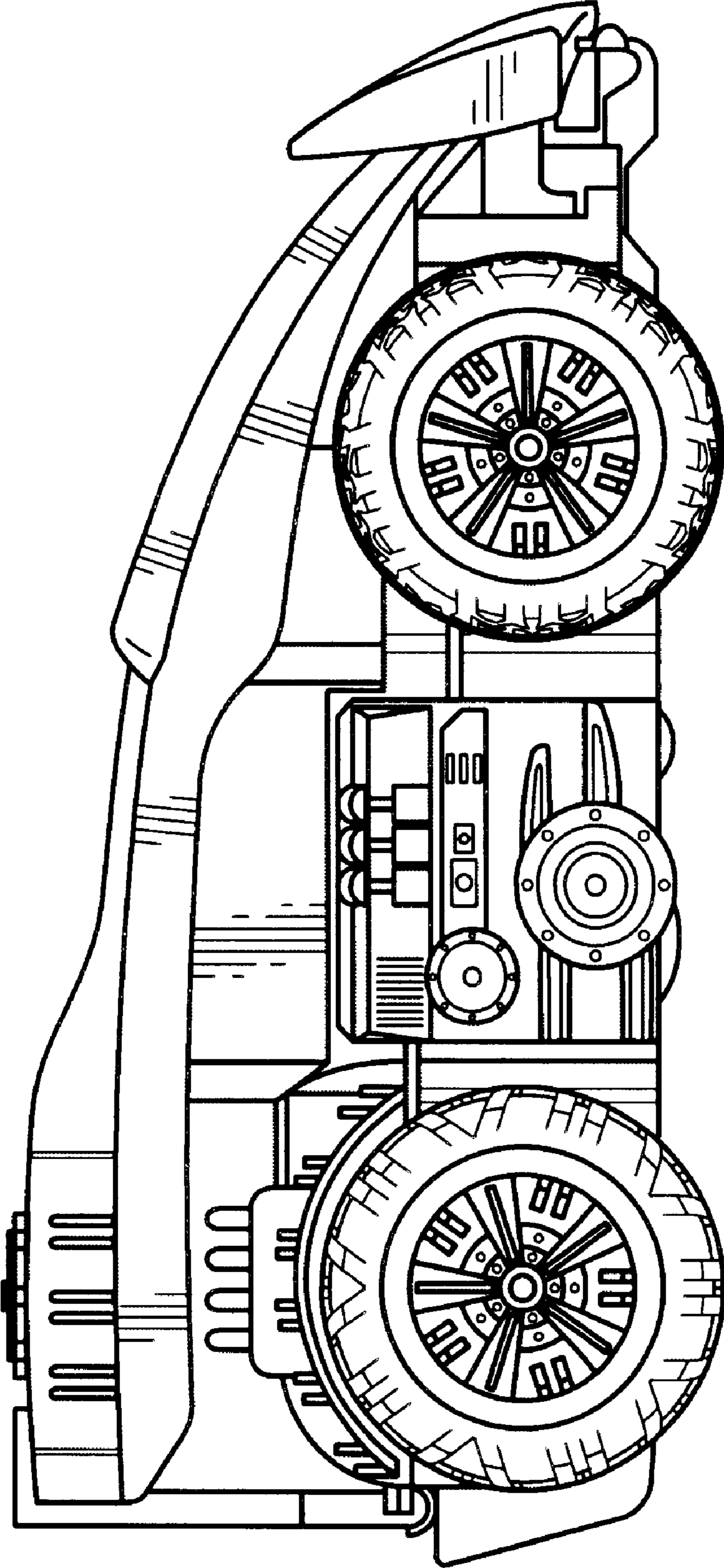


FIG. 5

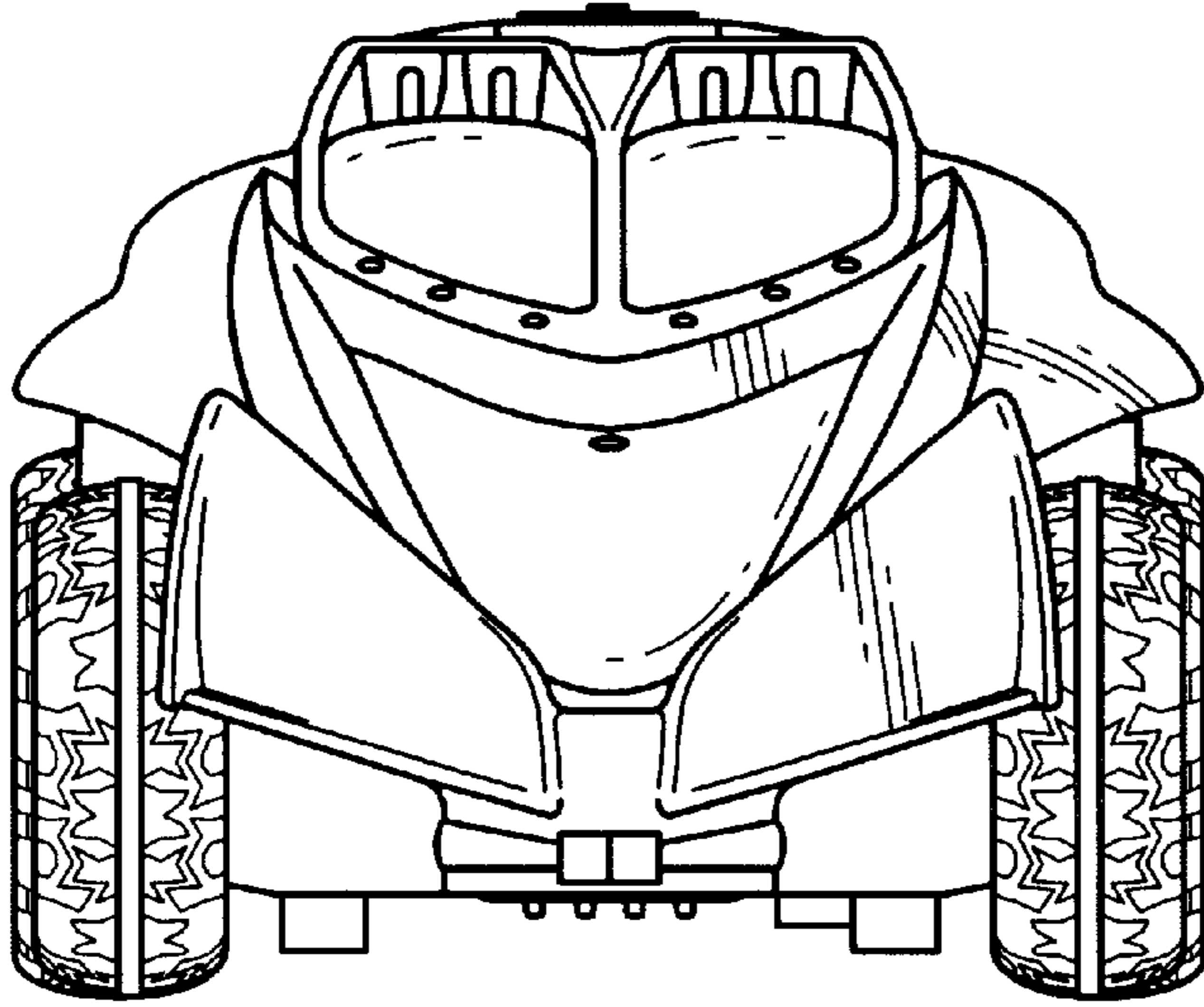


FIG. 6

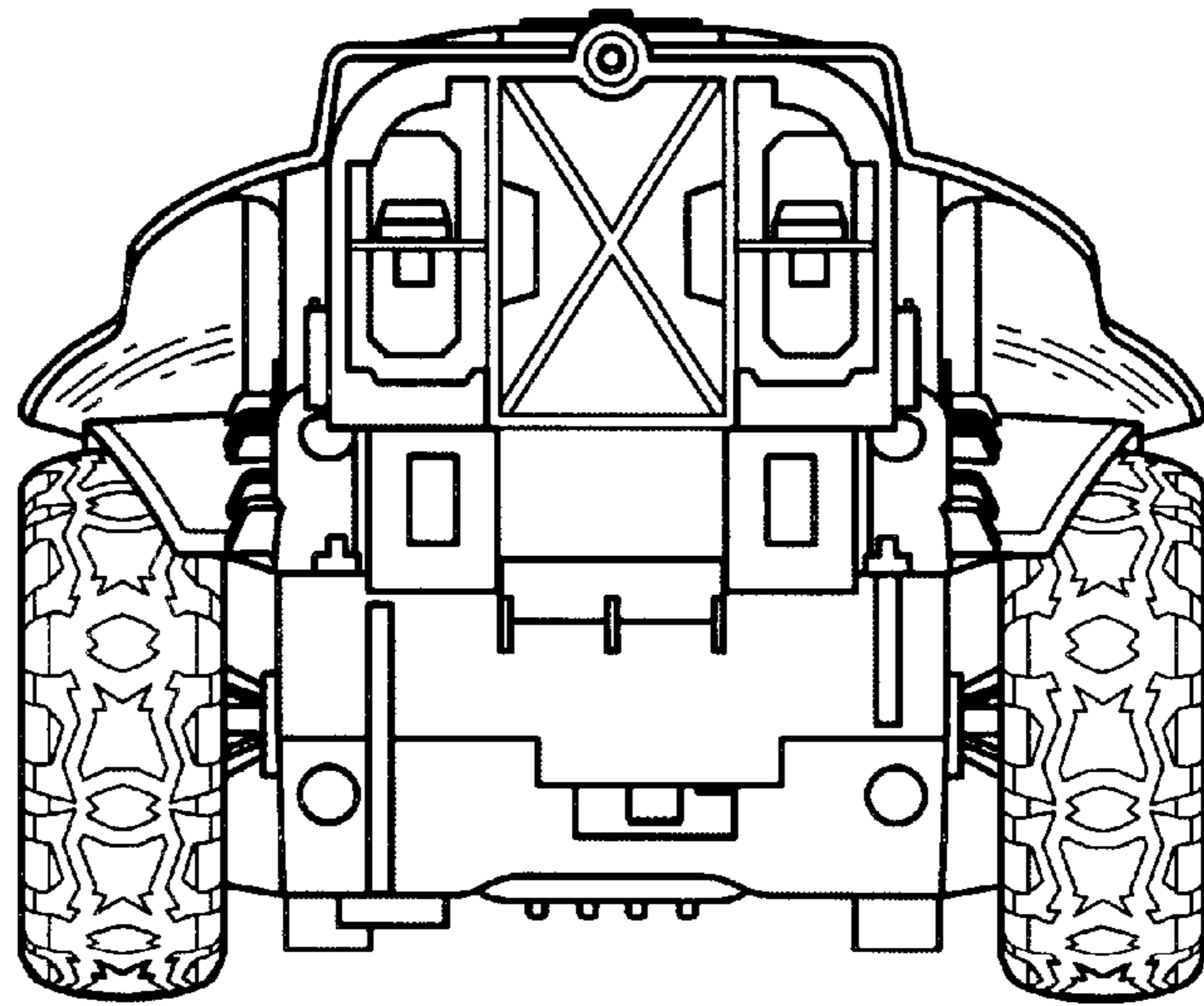


FIG. 7