

US00D508961S

(12) **United States Design Patent**  
**Gatto et al.**

(10) **Patent No.: US D508,961 S**

(45) **Date of Patent: \*\* Aug. 30, 2005**

(54) **GAMING MACHINE**

(75) Inventors: **Jean-Marie Gatto**, London (GB);  
**Sylvie Linard**, London (GB);  
**Pierre-Jean Beney**, London (GB)

(73) Assignee: **Cyberscan Technology, Inc.**, Palo Alto,  
CA (US)

(\*\*) Term: **14 Years**

(21) Appl. No.: **29/200,277**

(22) Filed: **Feb. 24, 2004**

(51) **LOC (8) Cl.** ..... **21-03**

(52) **U.S. Cl.** ..... **D21/369; D21/325**

(58) **Field of Search** ..... D21/325, 329,  
D21/369-371, 374, 385; 273/138.1; 463/16-17,  
20, 46-47

(56) **References Cited**

**U.S. PATENT DOCUMENTS**

6,227,970 B1 \* 5/2001 Shimizu et al. .... 463/20  
6,334,612 B1 \* 1/2002 Wurz et al. .... 273/143 R

D463,504 S \* 9/2002 Stephan ..... D21/325  
D464,377 S \* 10/2002 Wurz et al. .... D21/325  
D468,364 S \* 1/2003 Beadell et al. .... D21/325  
D495,755 S \* 9/2004 Wurz et al. .... D21/370  
2004/0063487 A1 \* 4/2004 Gerrard ..... 463/16

\* cited by examiner

*Primary Examiner*—Sandra L. Morris

(74) *Attorney, Agent, or Firm*—Young Law Firm, P.C.

(57) **CLAIM**

The ornamental design for a gaming machine, as shown.

**DESCRIPTION**

FIG. 1 is a perspective view of a gaming machine according to the present invention.

FIG. 2 is a front view of the gaming machine of FIG. 1.

FIG. 3 is a left side view of the gaming machine of FIG. 1.

FIG. 4 is a right side view of the gaming machine of FIG. 1.

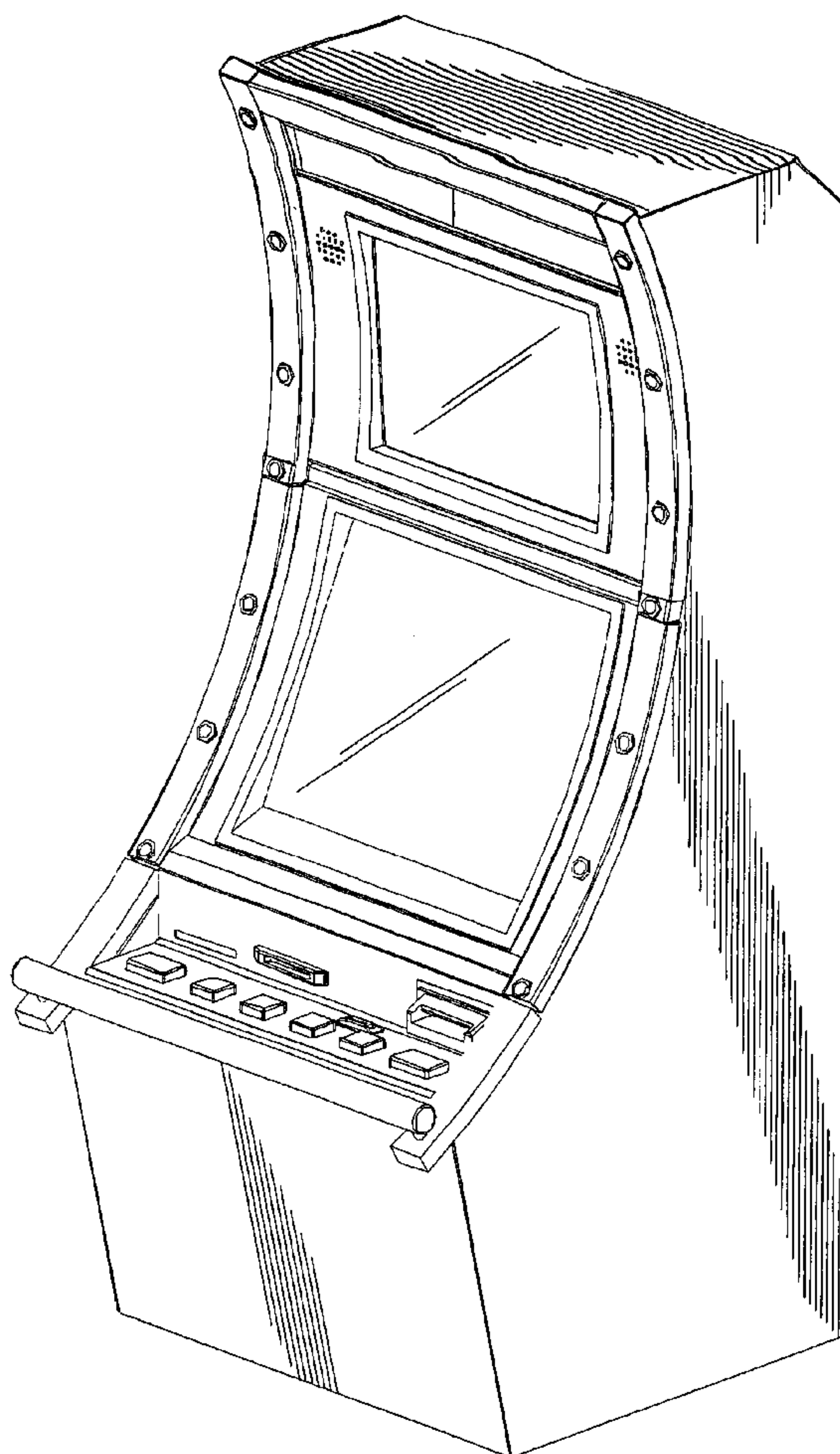
1.

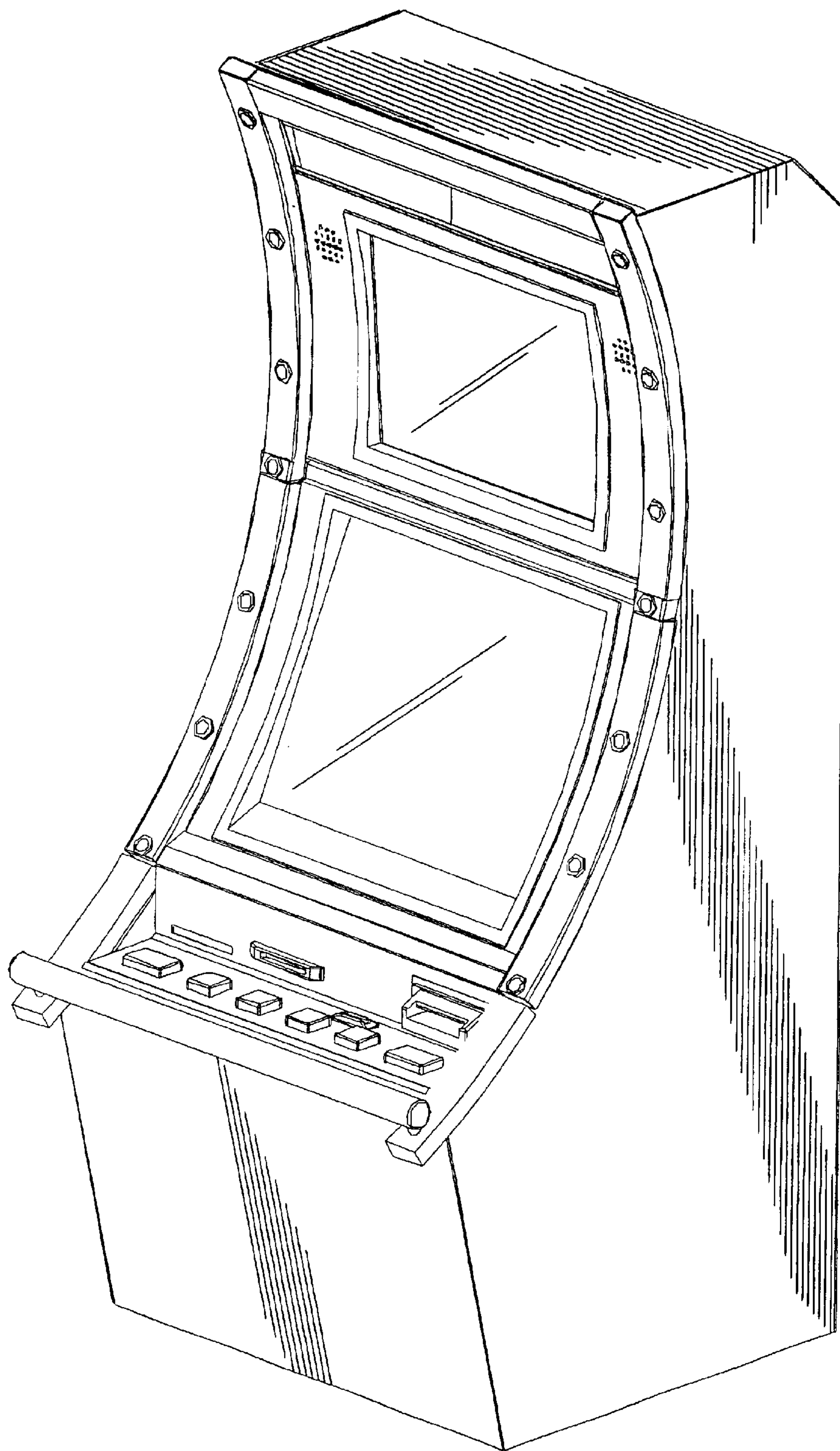
FIG. 5 is a rear view of the gaming machine of FIG. 1.

FIG. 6 is a top view of the gaming machine of FIG. 1; and,

FIG. 7 is a bottom view of the gaming machine of FIG. 1.

**1 Claim, 7 Drawing Sheets**





*FIG. 1*

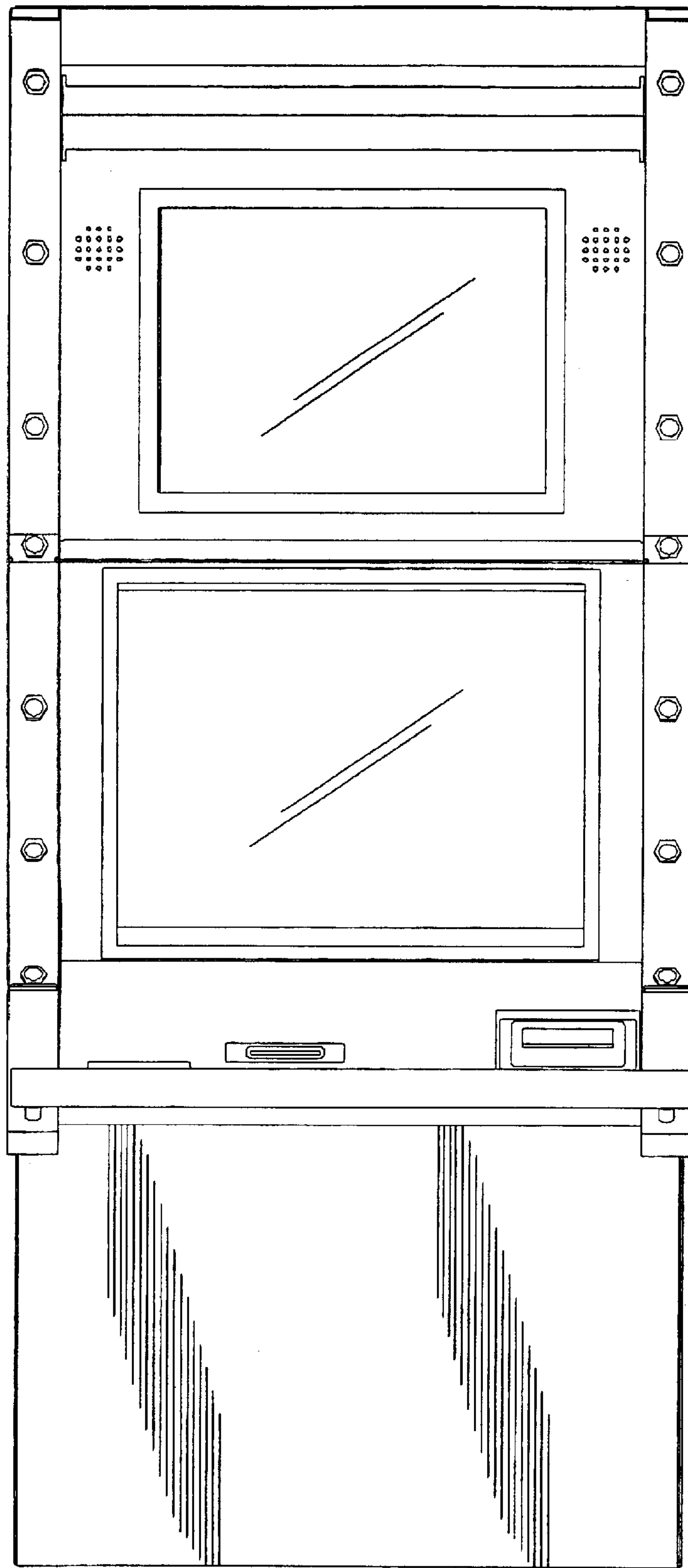
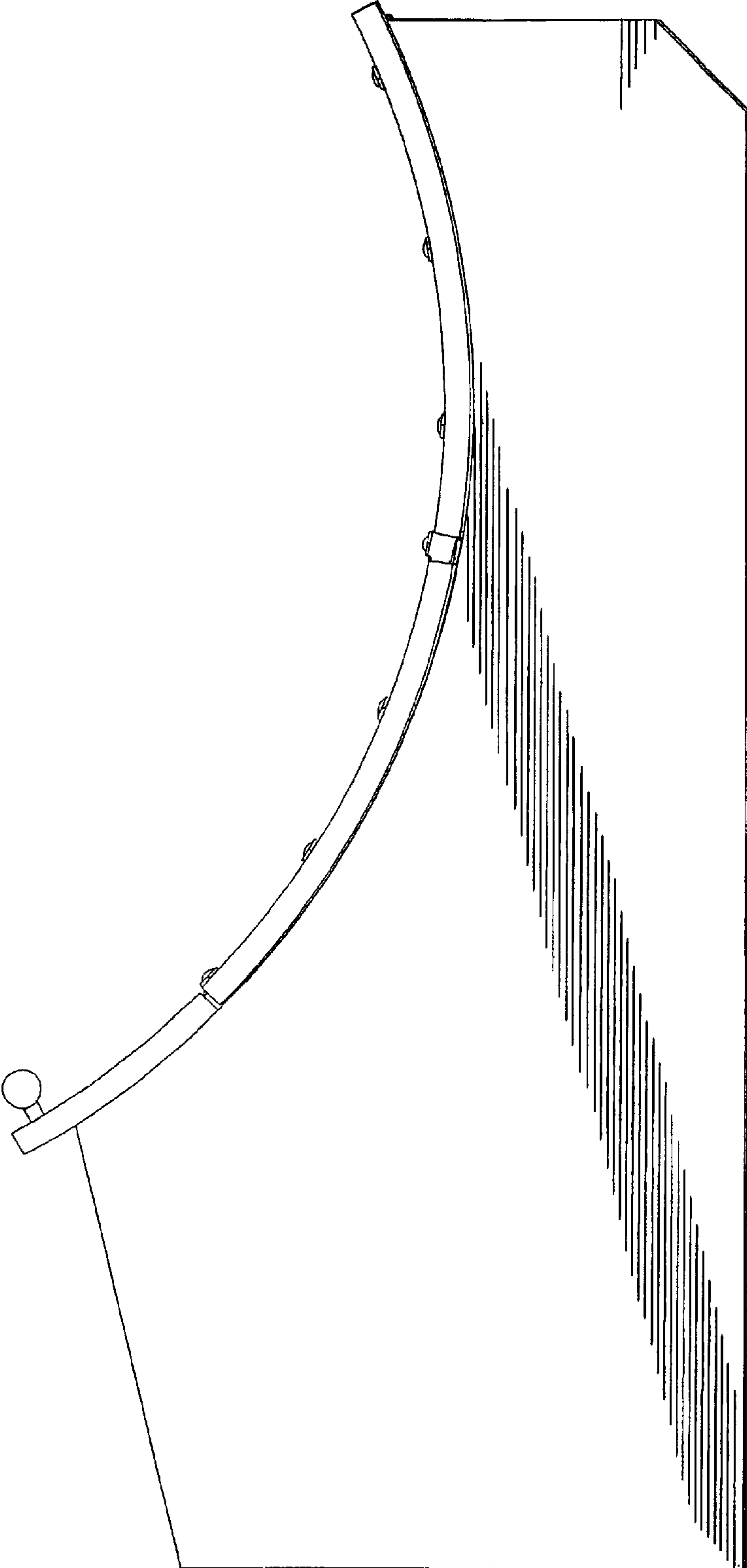
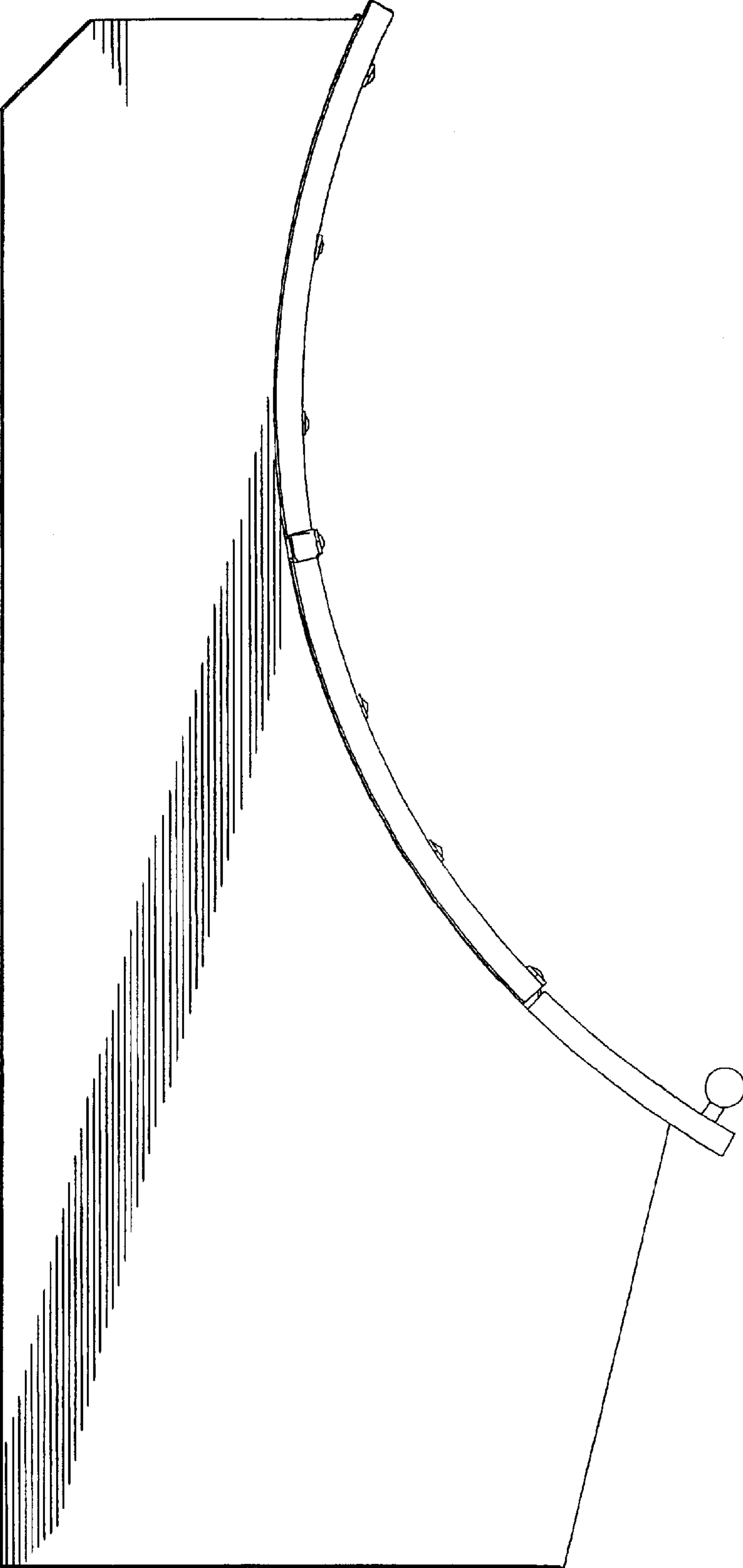


FIG. 2

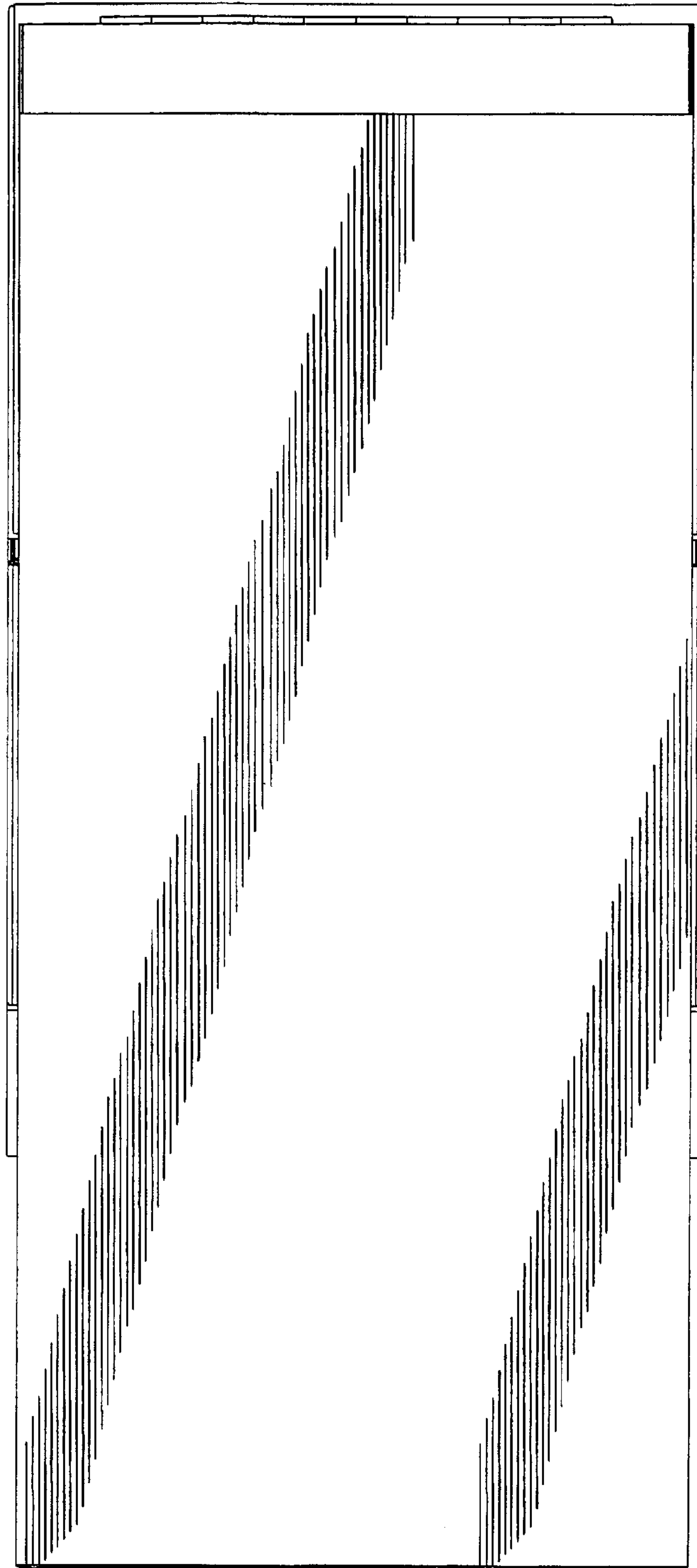


*FIG. 3*

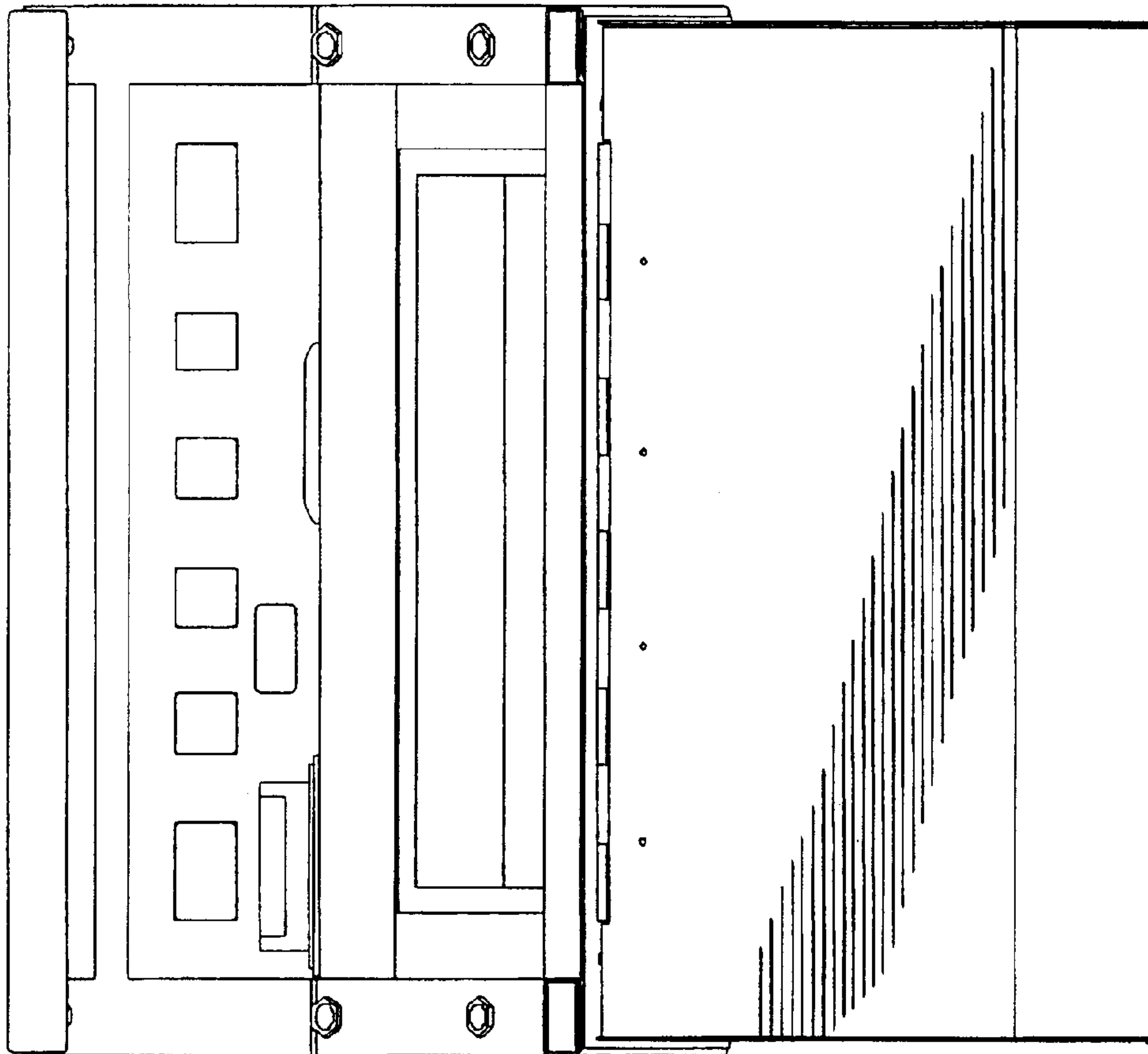


*FIG. 4*

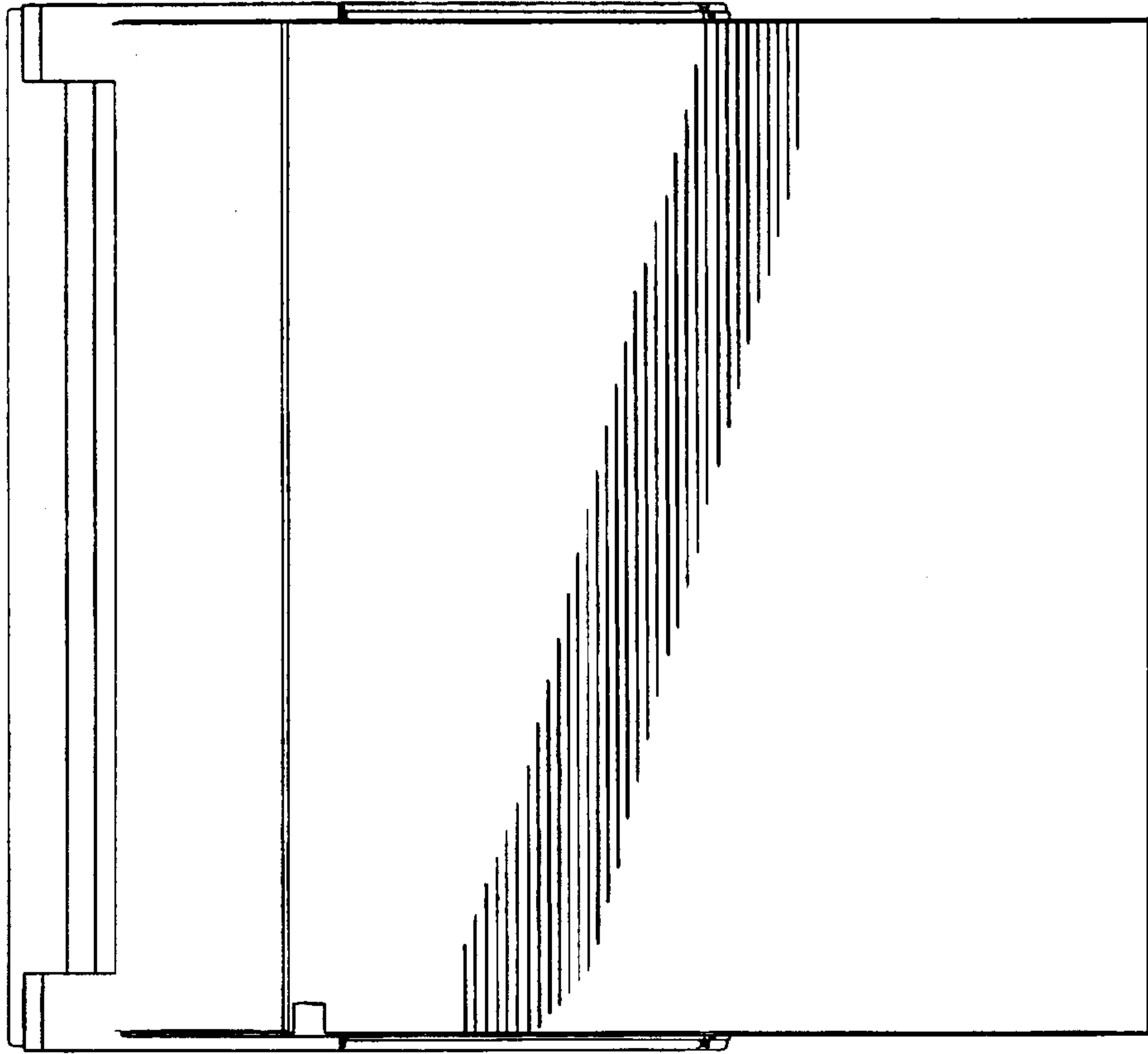




*FIG. 5*



**FIG. 6**



*FIG. 7*