



US00D508960S

(12) **United States Design Patent**
Mueller

(10) **Patent No.: US D508,960 S**

(45) **Date of Patent: ** Aug. 30, 2005**

(54) **FLUSH SIGN HOLDER**

(75) **Inventor: Paul A. Mueller, Wadsworth, OH (US)**

(73) **Assignee: Fasteners For Retail, Inc., Cleveland, OH (US)**

(**) **Term: 14 Years**

(21) **Appl. No.: 29/198,418**

(22) **Filed: Jan. 29, 2004**

(51) **LOC (8) Cl. 20-03**

(52) **U.S. Cl. D20/43**

(58) **Field of Search D20/10, 22, 40, D20/42, 43, 44, 99; D8/373, 380; D19/20; D25/119, 121, 122, 124; 40/124.01, 124.05, 584, 642.02, 649, 653, 654.01, 661, 661.03; 52/522; 248/214, 215**

(56) **References Cited**

U.S. PATENT DOCUMENTS

D330,221 S	*	10/1992	Levin	D19/91
5,375,803 A		12/1994	Kump		
D440,606 S		4/2001	Mueller		
6,354,546 B1	*	3/2002	Mueller	248/220.42
D496,693 S	*	9/2004	Mueller	D20/43

OTHER PUBLICATIONS

FFR Yellow Pages® 2002 Product Catalog, front cover, pp. 10, 82, 93, 101 and back cover.

* cited by examiner

Primary Examiner—Robert M. Spear
(74) Attorney, Agent, or Firm—Fay, Sharpe, Fagan, Minnich & McKee, LLP

(57) **CLAIM**

The ornamental design for a flush sign holder, as shown and described.

DESCRIPTION

FIG. 1 is a front perspective view of a flush sign holder showing my new design;

FIG. 2 is a rear perspective view thereof;

FIG. 3 is a front elevational view thereof;

FIG. 4 is a left side elevational view thereof, with a right side elevational view being a mirror image thereof;

FIG. 5 is a top plan view thereof;

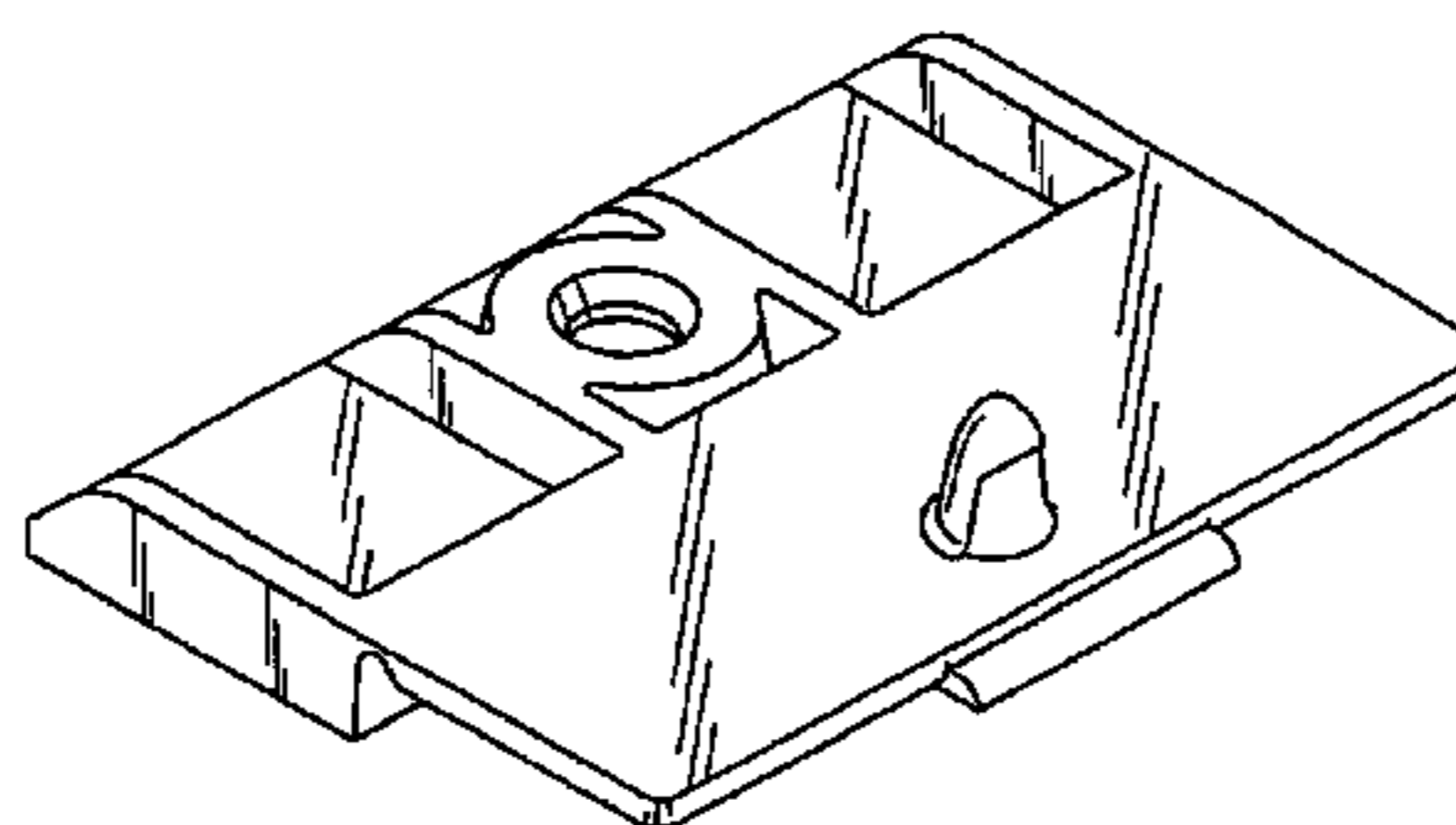
FIG. 6 is a rear elevational view thereof;

FIG. 7 is a bottom plan view thereof; and,

FIG. 8 is a front perspective view of the sign holder in use in holding an associated sign.

The broken line showing of the associated sign in FIG. 8 is for illustrative purposes only and forms no part of the claimed design.

1 Claim, 3 Drawing Sheets



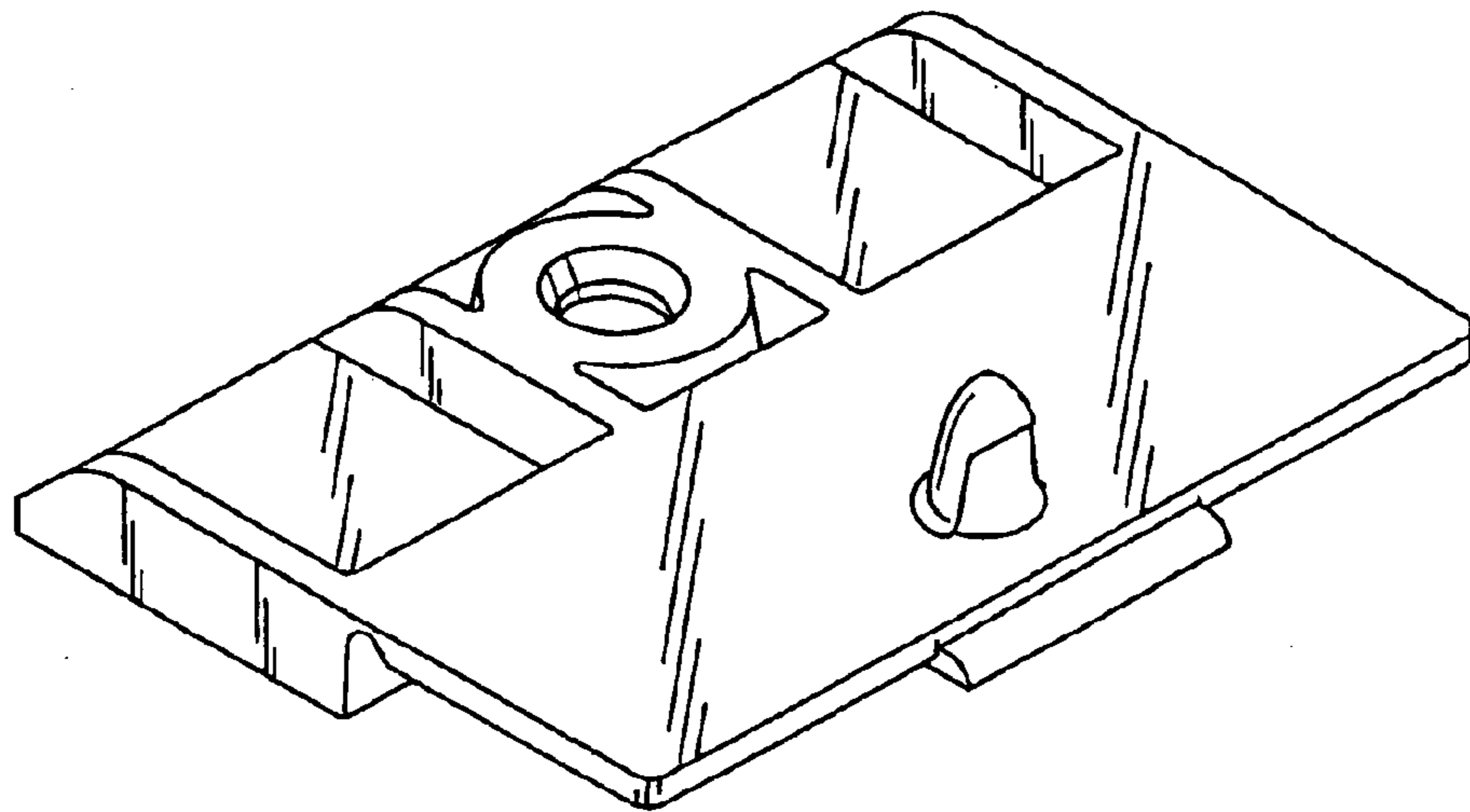


FIG. 1

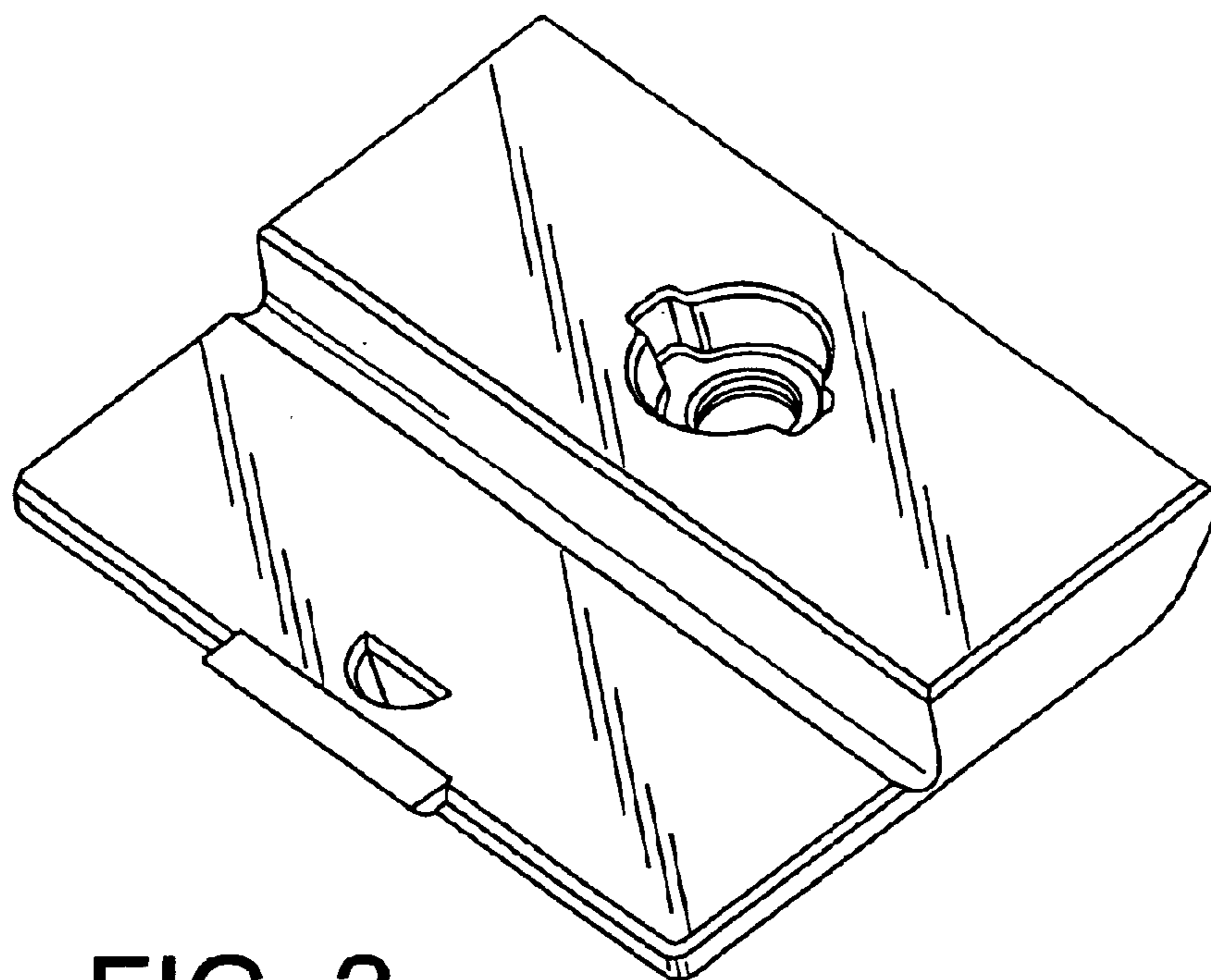


FIG. 2

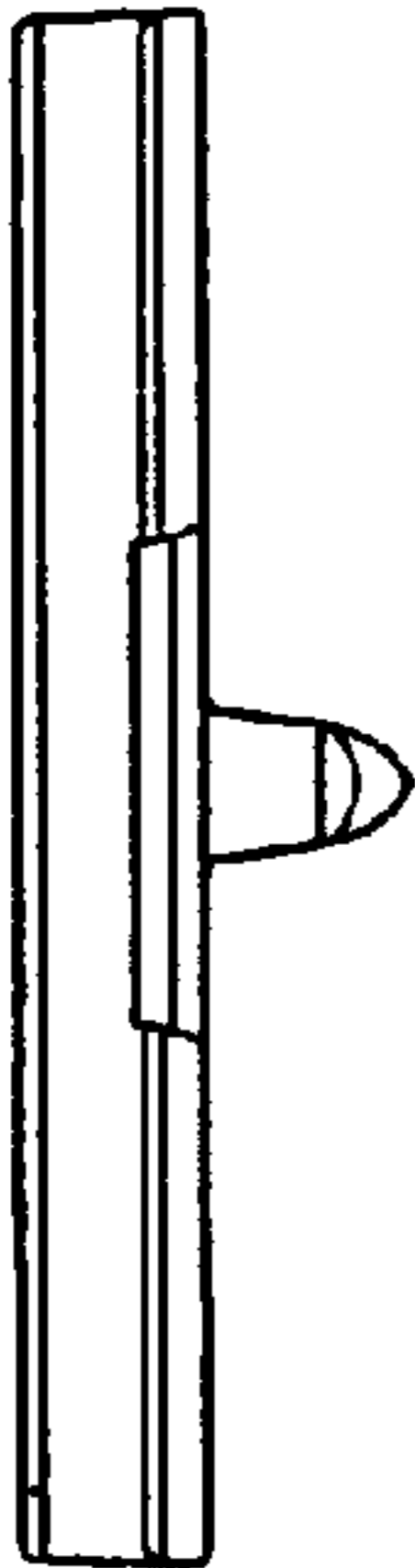


FIG. 5

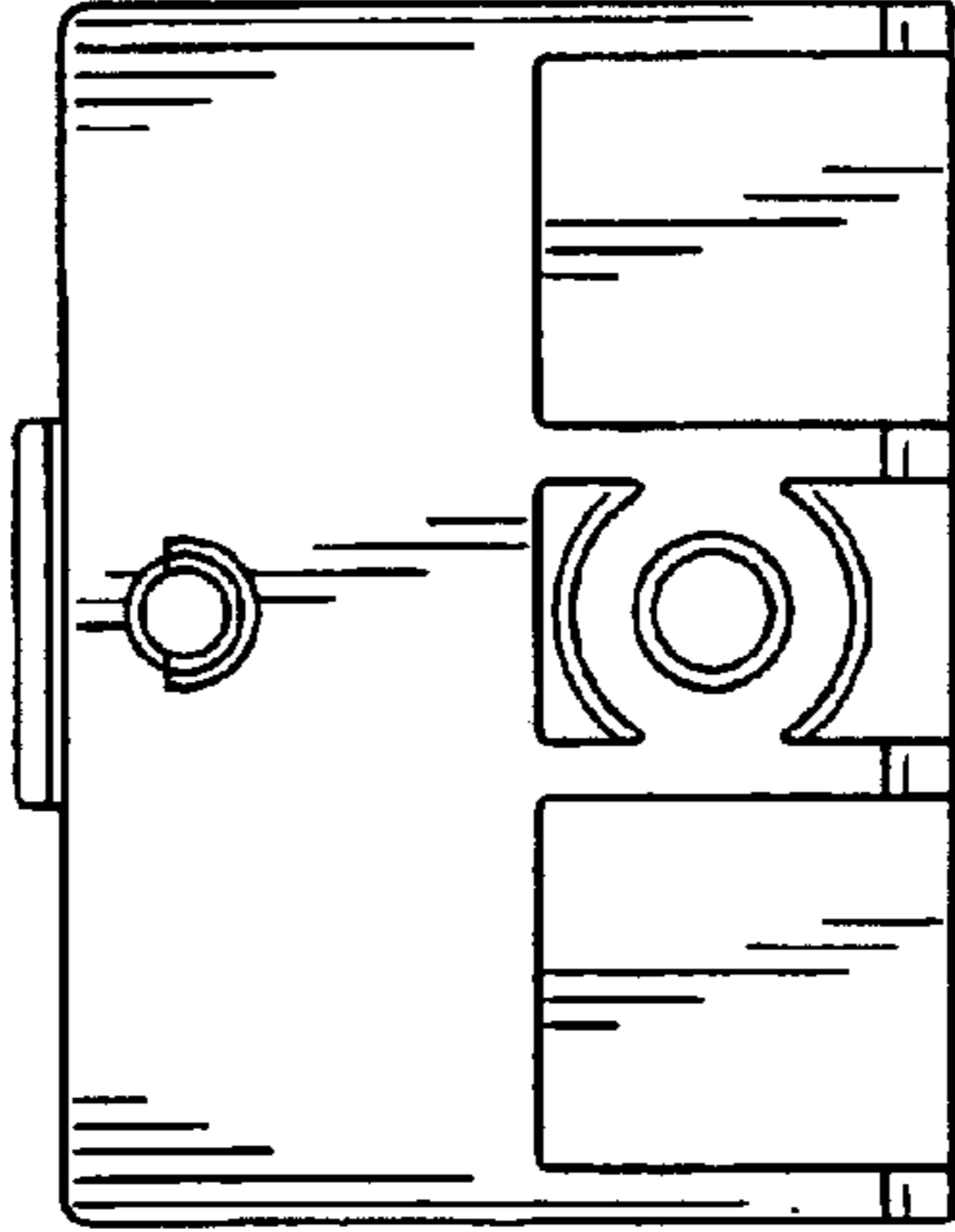


FIG. 3



FIG. 4

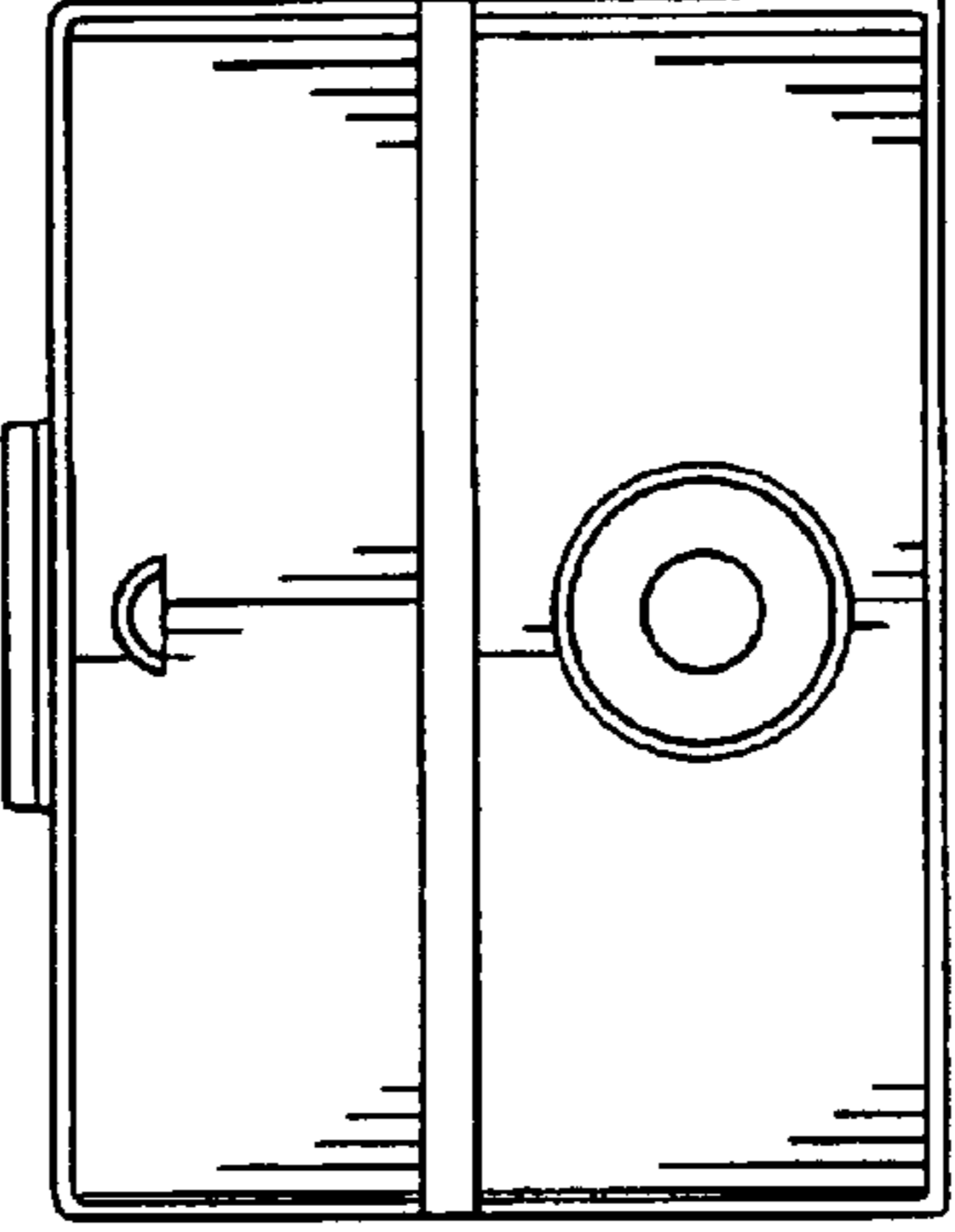


FIG. 7

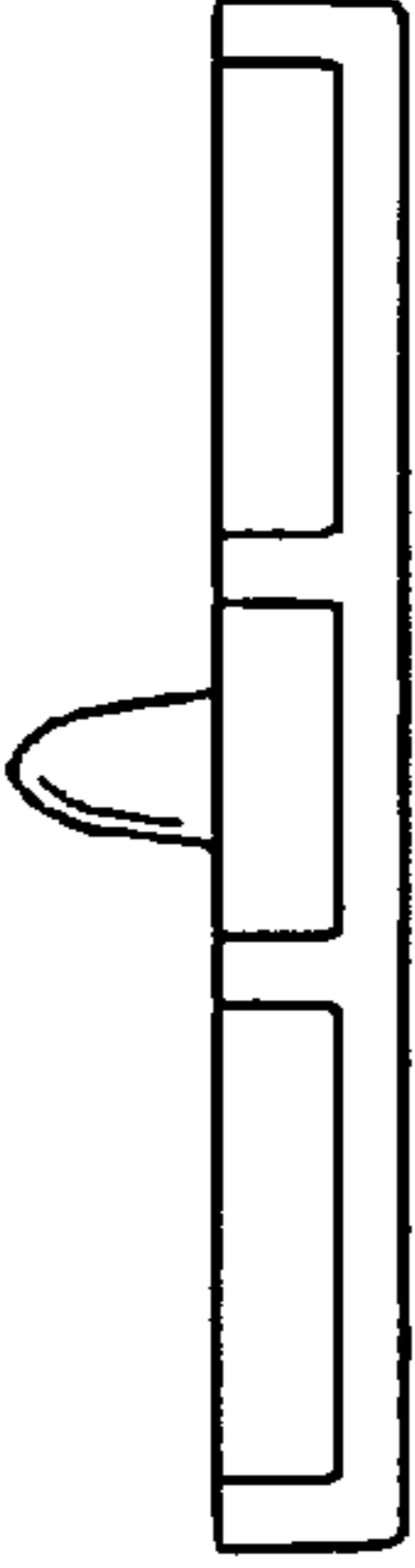


FIG. 6



FIG. 8