

US00D508958S

(12) **United States Design Patent**
Kaufman

(10) **Patent No.:** **US D508,958 S**

(45) **Date of Patent:** **** Aug. 30, 2005**

(54) **HANG TAG**

D264,767 S * 6/1982 Spreter D11/230
D334,725 S * 4/1993 White D11/96

(75) Inventor: **Eli Kaufman**, Petach Tikvah (IL)

* cited by examiner

(73) Assignee: **E. F. D. Diamonds, Ltd.**, Ramat Gan (IL)

Primary Examiner—Robert M. Spear
(74) *Attorney, Agent, or Firm*—Robert F. Zielinski, Esq.;
Wolf, Block, Schorr and Solis-Cohen, LLP

(**) Term: **14 Years**

(57) **CLAIM**

(21) Appl. No.: **29/197,698**

The ornamental design for a hang tag, as shown and described.

(22) Filed: **Jan. 20, 2004**

(51) **LOC (8) Cl.** **19-08**

DESCRIPTION

(52) **U.S. Cl.** **D20/23; D20/42**

(58) **Field of Search** D20/10, 22, 23,
D20/28, 40, 41, 42, 99; 40/1.5, 1.6, 5, 6,
124.01, 299.01, 331, 630, 633, 634, 669;
D11/61, 99, 116, 204, 223, 238

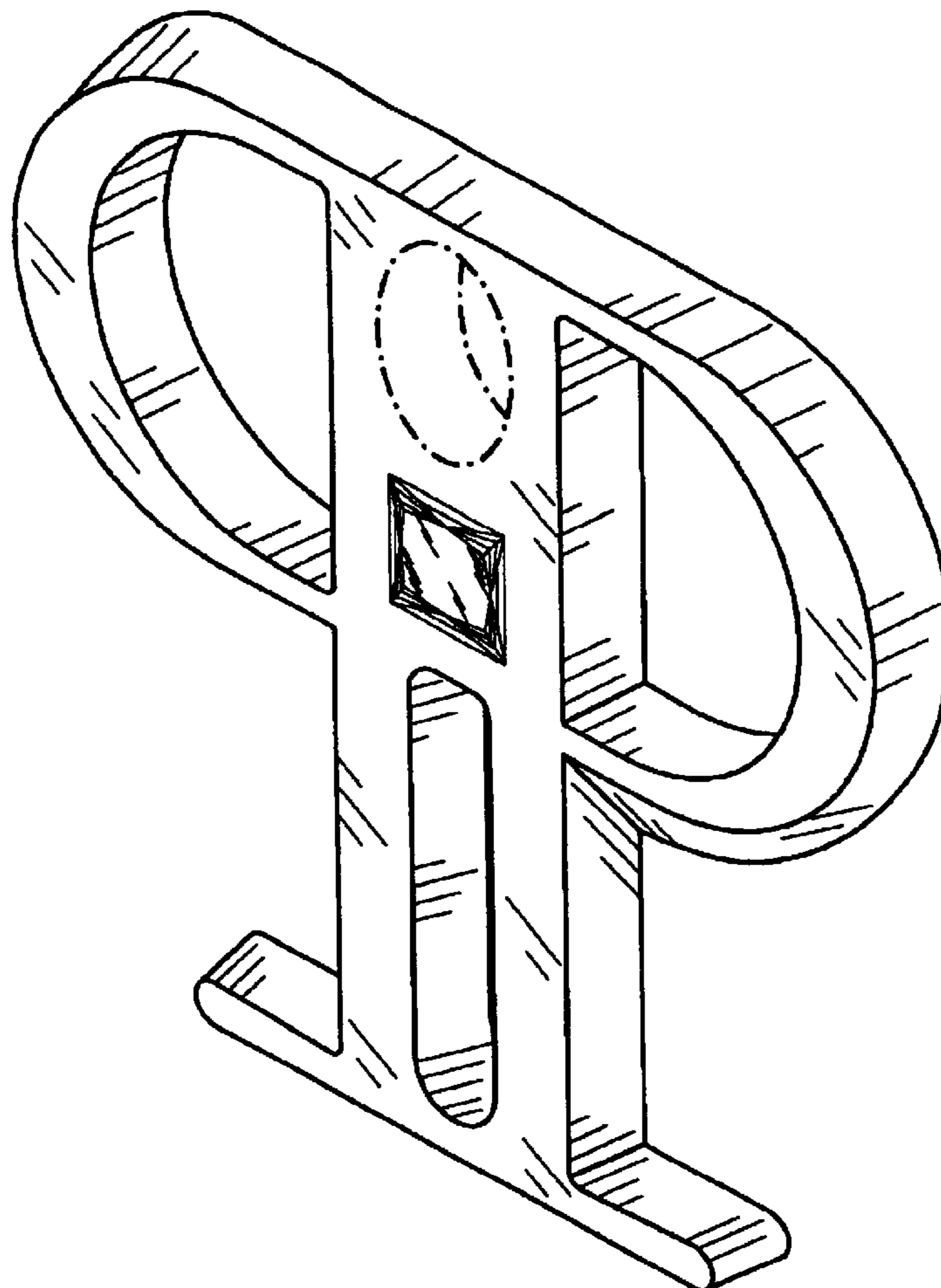
FIG. 1 is a perspective view showing the present invention.
FIG. 2 is a front view showing the present invention.
FIG. 3 is a top view showing the present invention.
FIG. 4 is a bottom view showing the present invention.
FIG. 5 is a side view showing the present invention; and,
FIG. 6 is the rear view showing the present invention.
The broken lines in the drawings represent environmental structure only and form no part of the claimed design.

(56) **References Cited**

U.S. PATENT DOCUMENTS

D143,798 S * 2/1946 Crompton et al. D11/61
D254,966 S * 5/1980 Allison D11/61

1 Claim, 2 Drawing Sheets



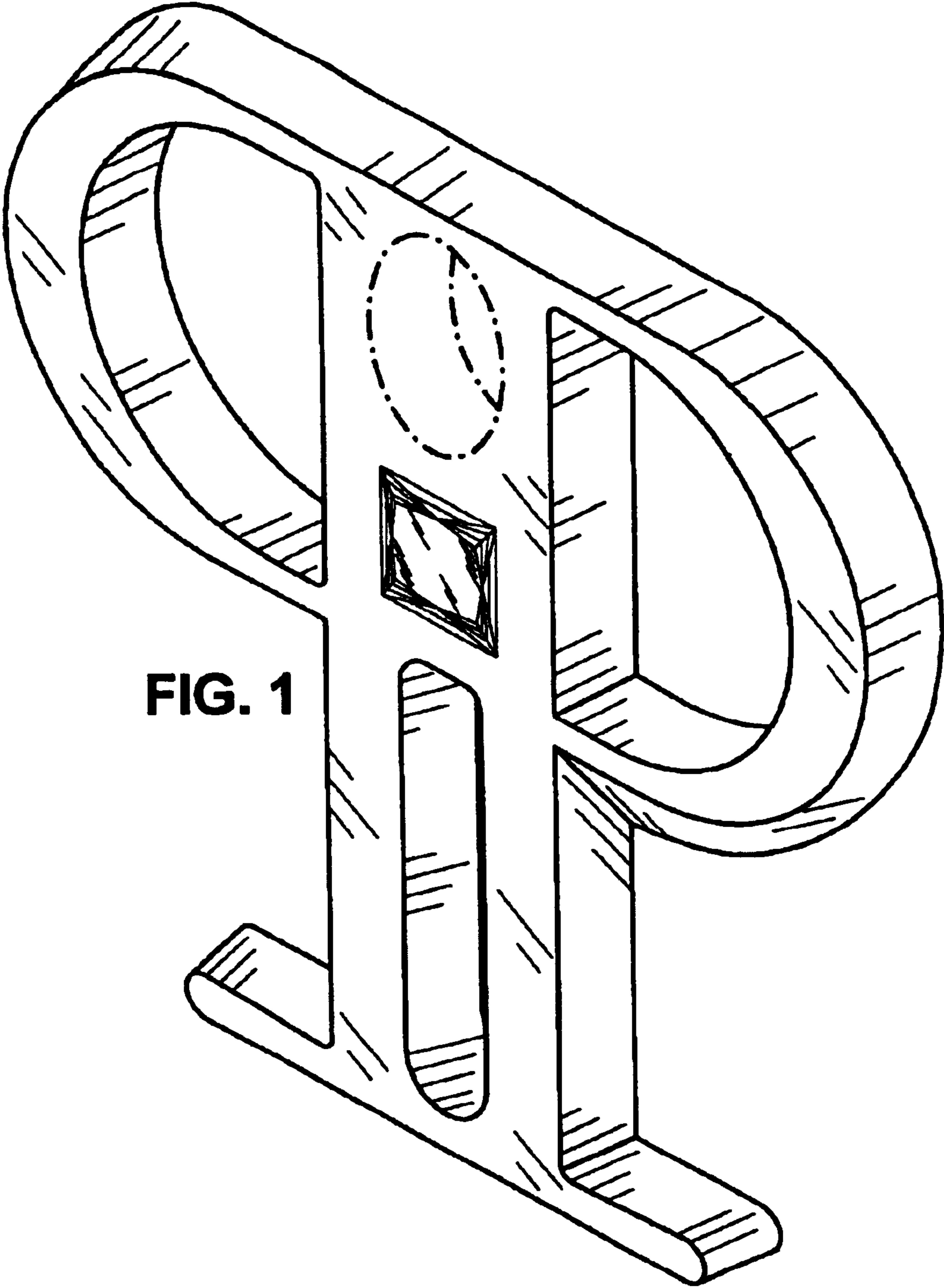


FIG. 1

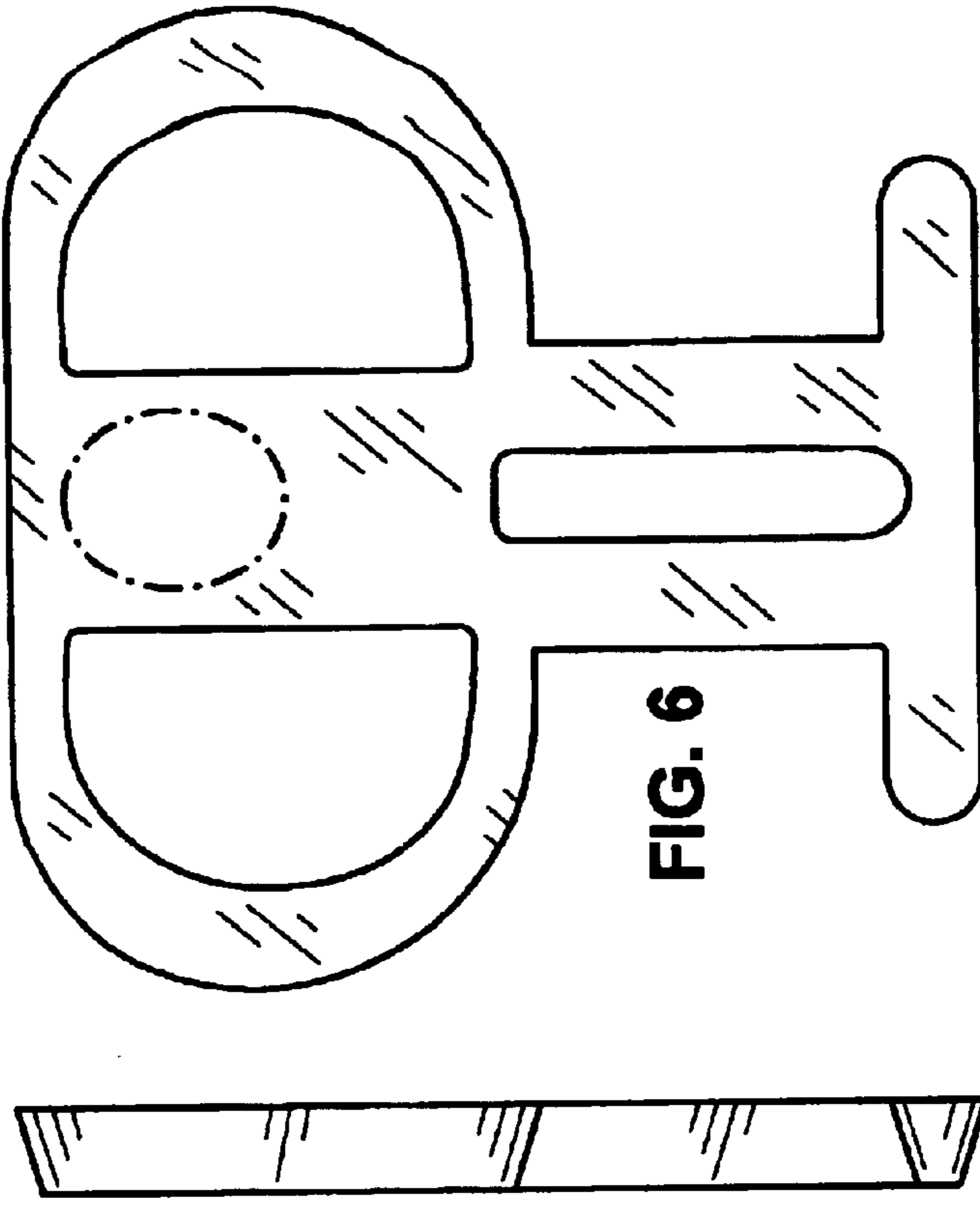
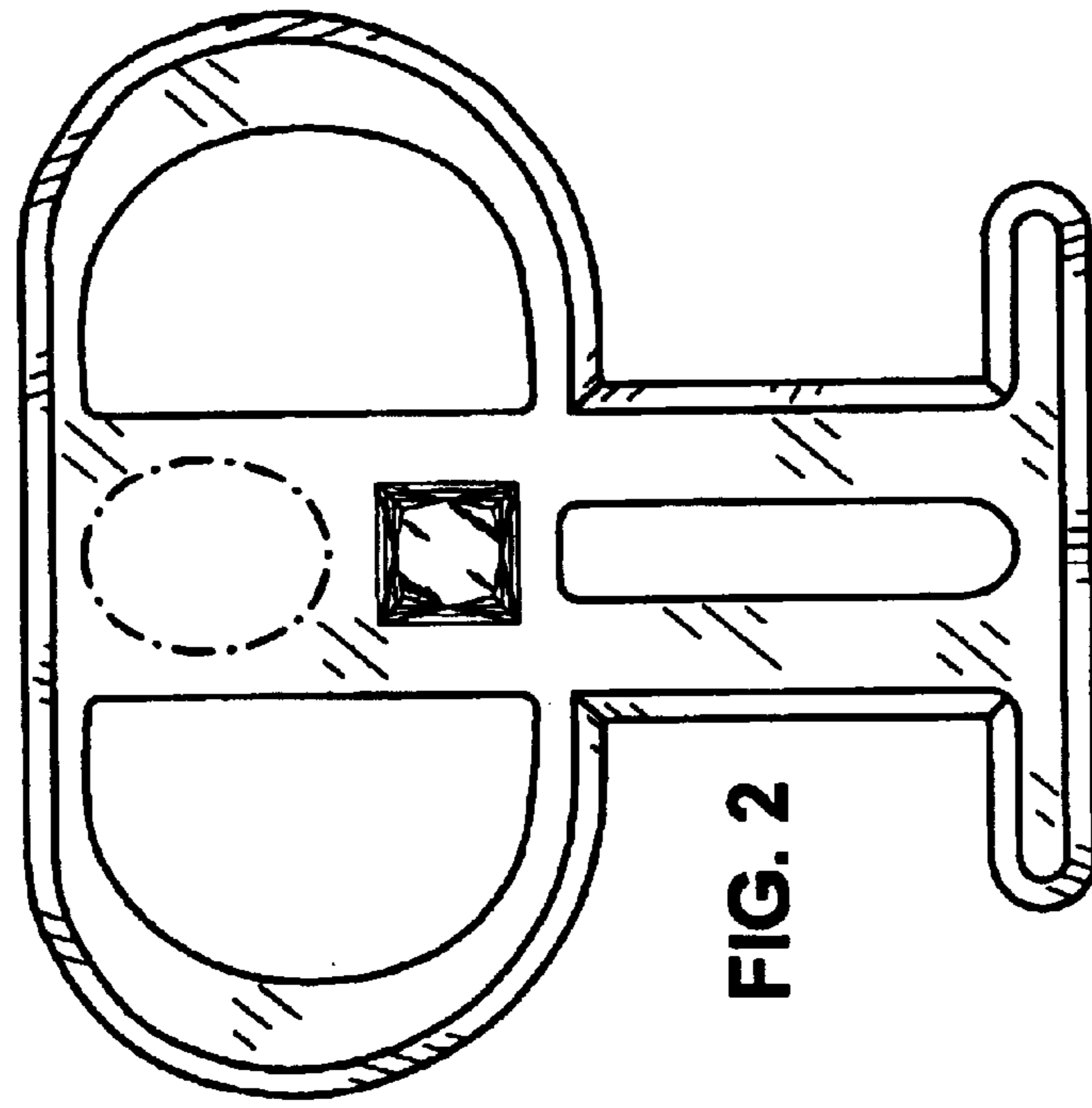
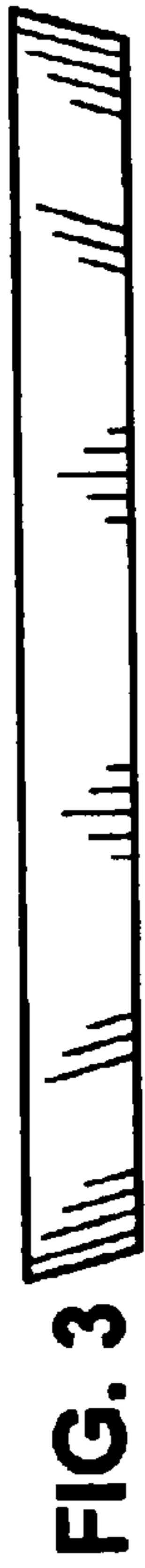


FIG. 5

