



US00D508954S

(12) **United States Design Patent**
Cetera

(10) **Patent No.:** **US D508,954 S**

(45) **Date of Patent:** **** Aug. 30, 2005**

(54) **MEMO CLIP**

(75) **Inventor:** **Carl Cetera, Tenafly, NJ (US)**

(73) **Assignee:** **Cotapaxi, INC, Carlstadt, NJ (US)**

(**) **Term:** **14 Years**

(21) **Appl. No.:** **29/213,945**

(22) **Filed:** **Sep. 24, 2004**

(51) **LOC (8) Cl.** **19-06**

(52) **U.S. Cl.** **D19/78; D19/65; D19/83**

(58) **Field of Search** **D19/35, 36, 41-51, D19/52, 53-58, 65, 75, 78, 81-85, 86, 90, 91, 99, 100; 401/52, 131, 195; D8/395; 24/67 R, 67.1-67.11, 489, 501, 507, 510, 511, 545-549, 563; 248/441.1, 451, 452; 281/30**

(56) **References Cited**

U.S. PATENT DOCUMENTS

D72,303 S	*	3/1927	Solinger	D19/42
D98,496 S	*	2/1936	Britton	D19/46
2,528,695 A	*	11/1950	King	D19/78
3,564,668 A	*	2/1971	Kirk	281/30
D313,046 S	*	12/1990	Colani	D19/78
5,480,037 A	*	1/1996	Pope	211/50

D376,534 S	*	12/1996	Wolff	D8/395
D387,092 S	*	12/1997	Elkins	D19/78
D410,951 S	*	6/1999	Schwarzwaelder	D19/36
D500,082 S	*	12/2004	Rosado	D19/65

* cited by examiner

Primary Examiner—Martie K. Holtje

(74) *Attorney, Agent, or Firm*—Brian M. Carpenter

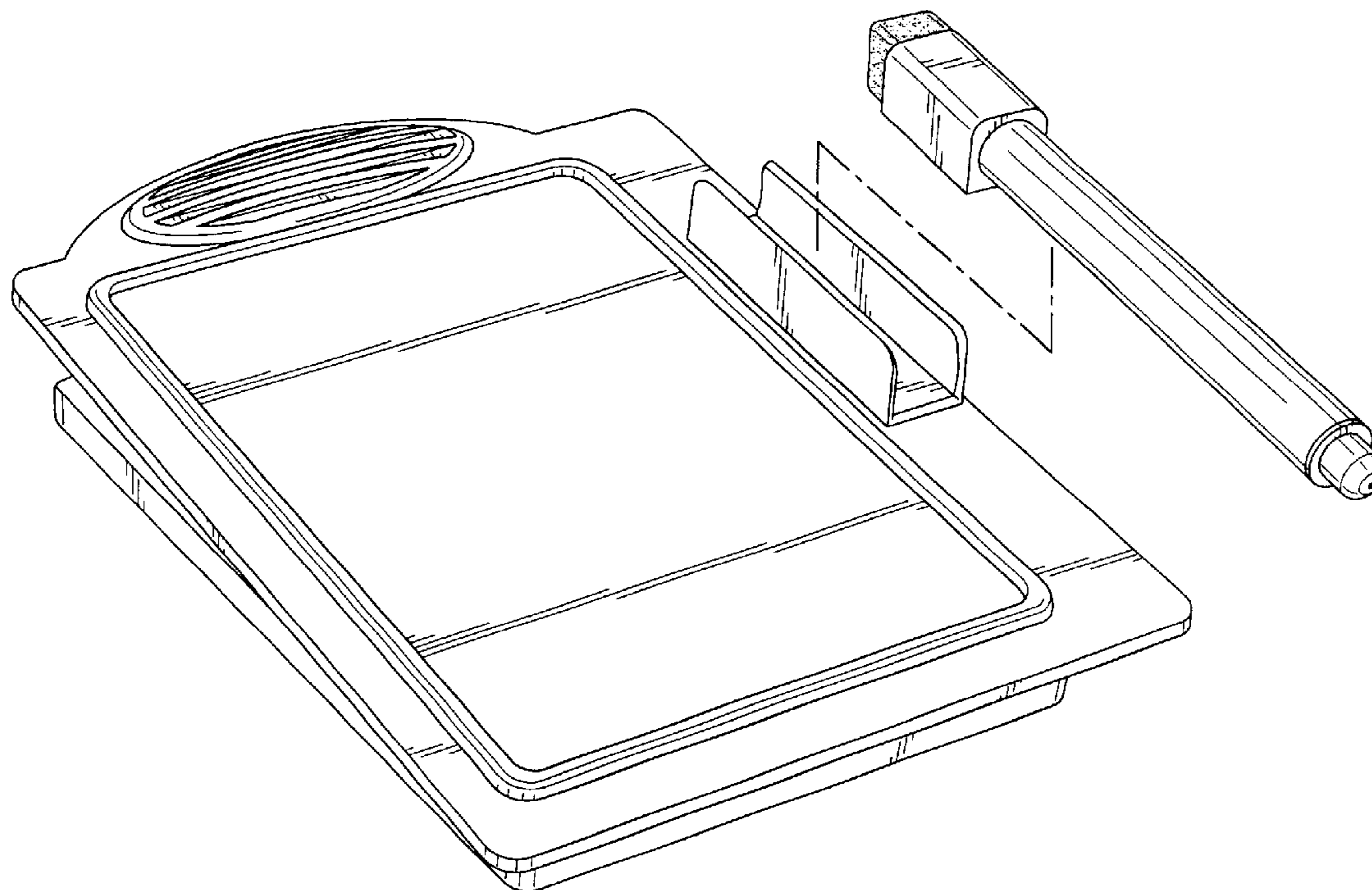
(57) **CLAIM**

The ornamental design for a memo clip, as shown and described.

DESCRIPTION

FIG. 1 is a top left perspective view of the memo clip showing my new design in an exploded condition;
 FIG. 2 is a top plan view of the memo clip of FIG. 1;
 FIG. 3 is a left side elevation view of the memo clip of FIG. 1;
 FIG. 4 is a right side elevation view of the memo clip of FIG. 1;
 FIG. 5 is a bottom end view of the memo clip of FIG. 1;
 FIG. 6 is a top end view of the memo clip of FIG. 1;
 FIG. 7 is a bottom plan view of the memo clip of FIG. 1; and,
 FIG. 8 is a top left perspective view of the memo clip of FIG. 1 with the writing instrument shown in the attached position.

1 Claim, 4 Drawing Sheets



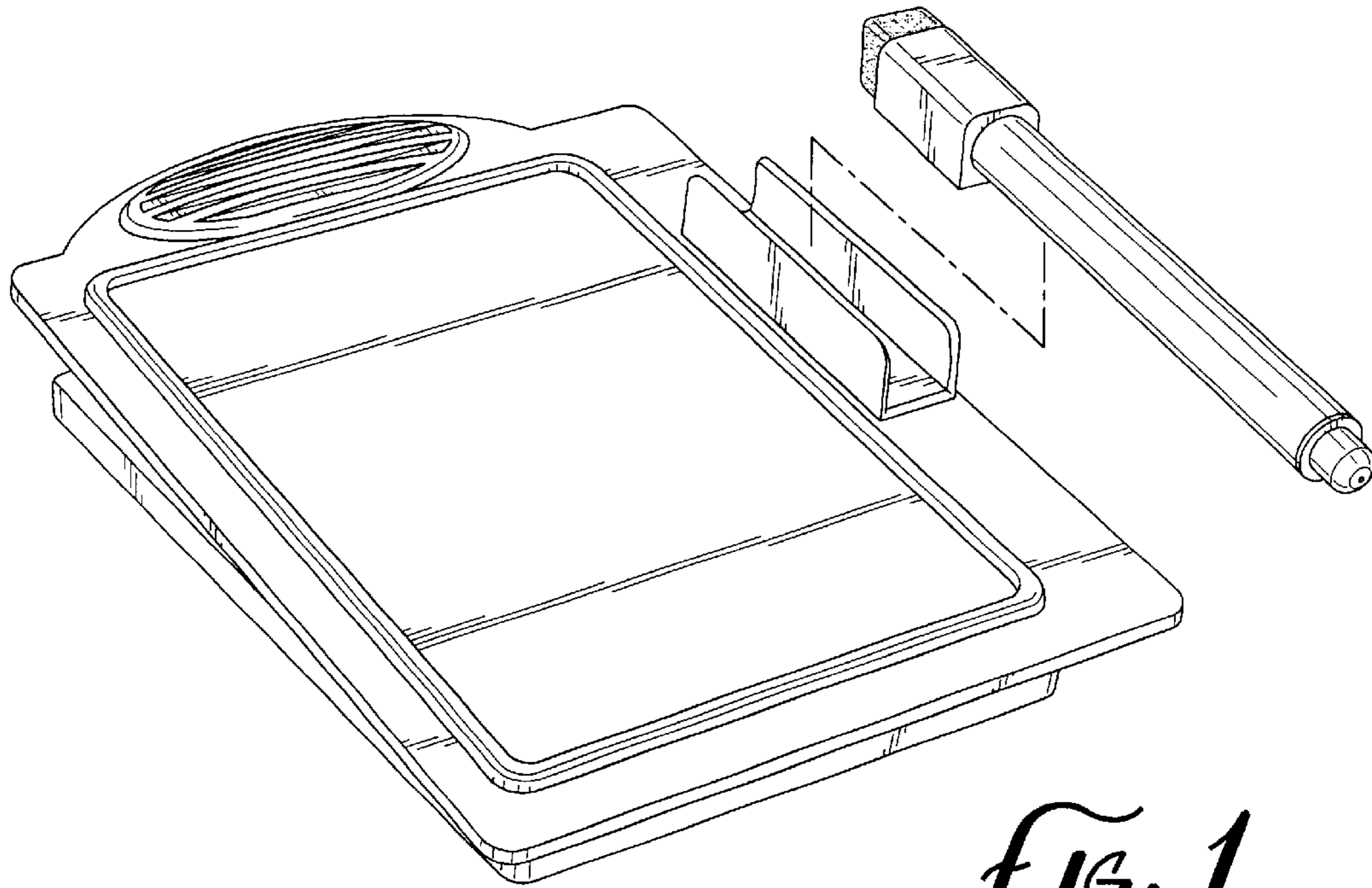


FIG. 1

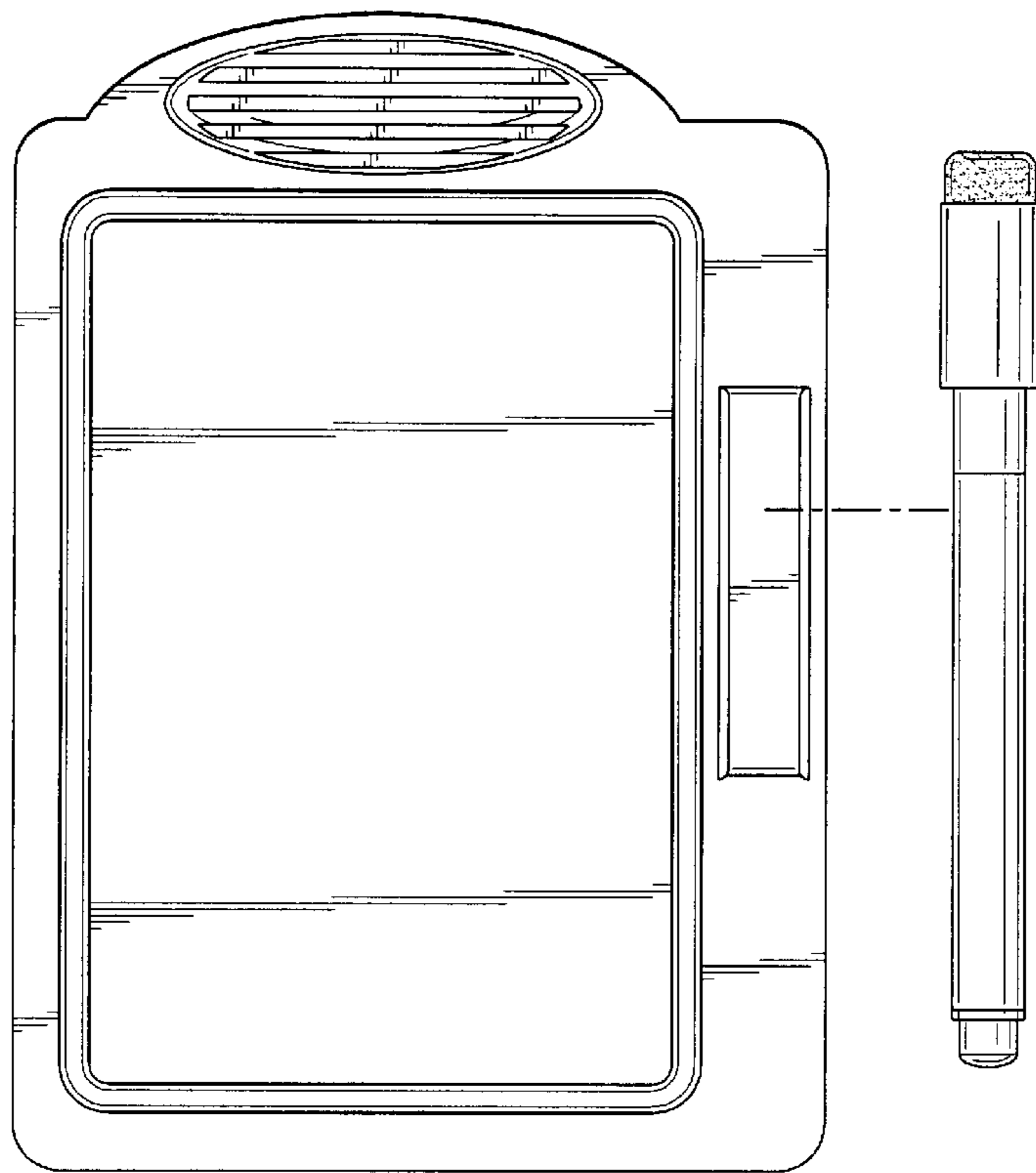


FIG. 2

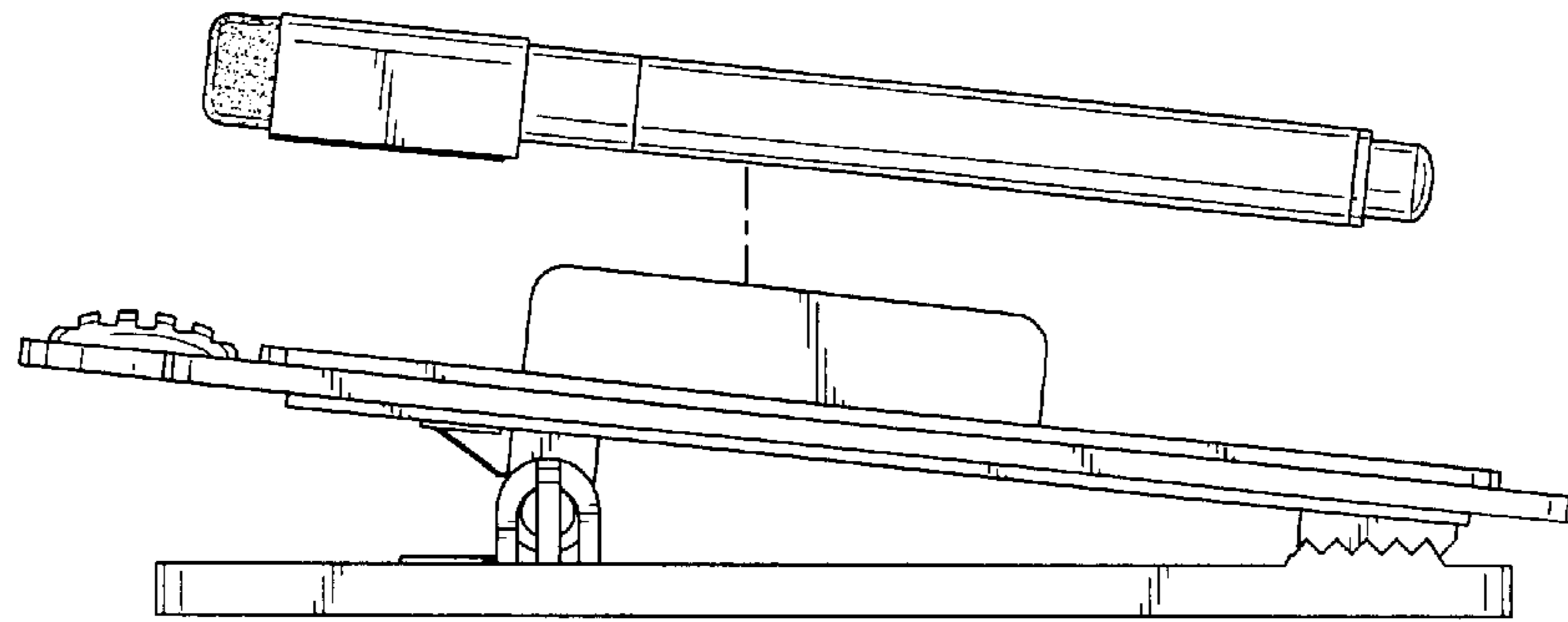


FIG. 3

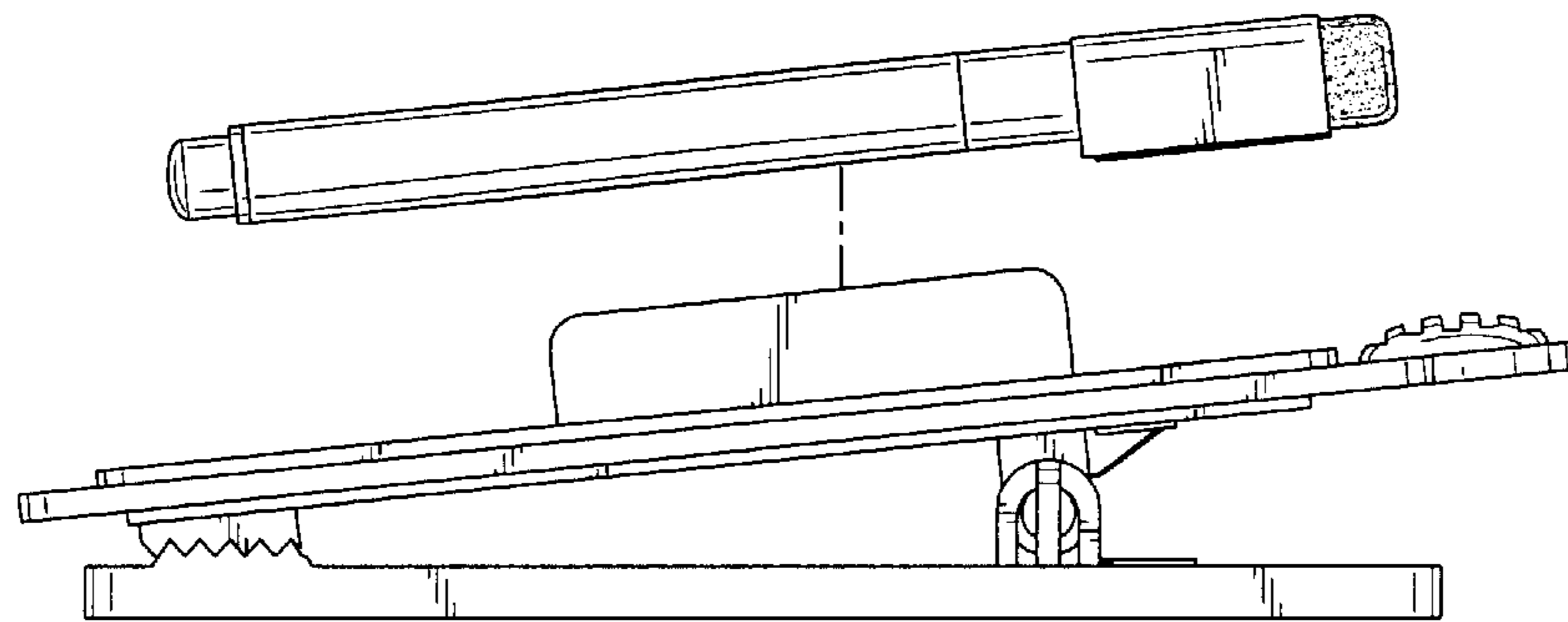


FIG. 4

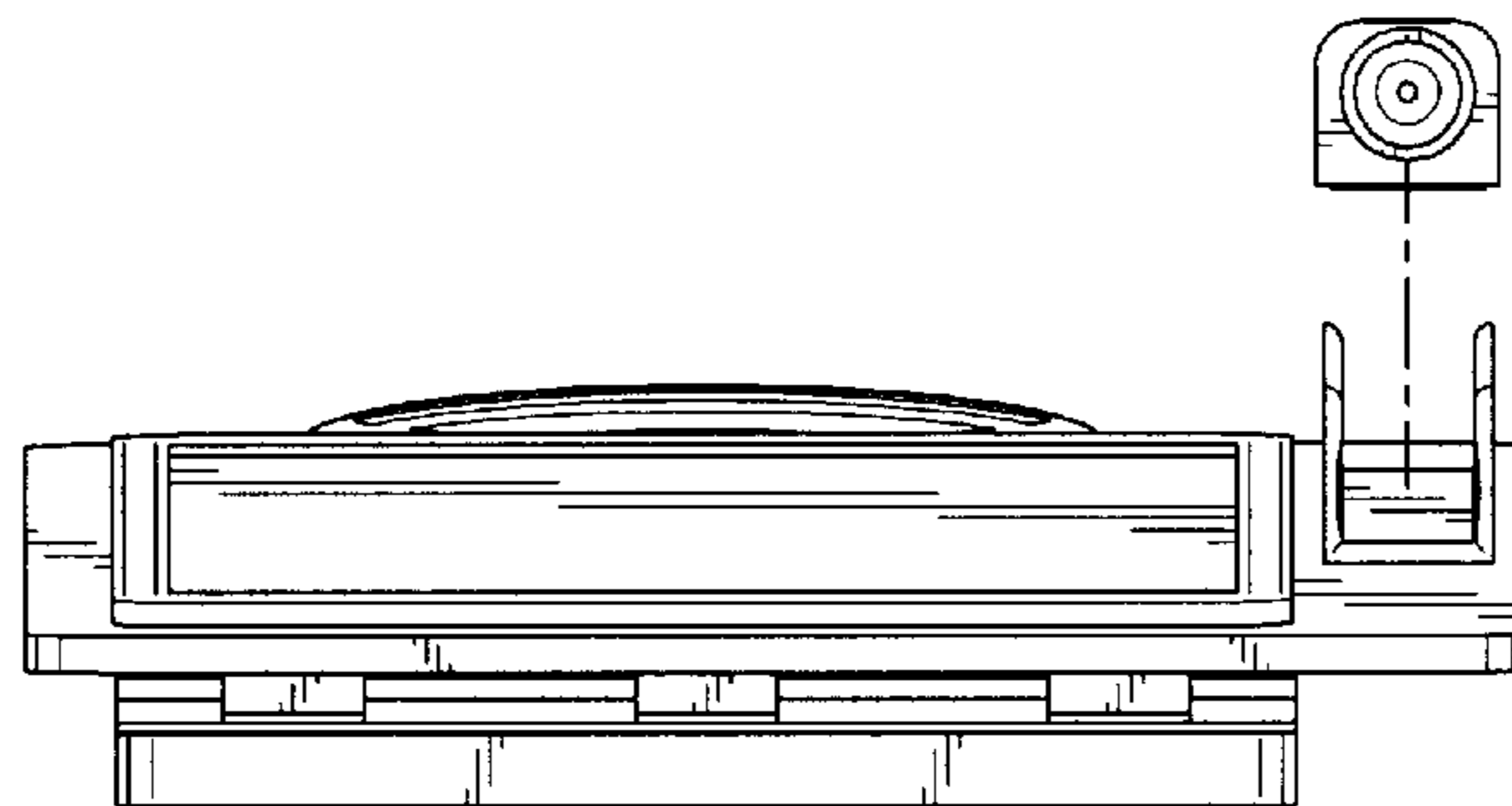


FIG. 5

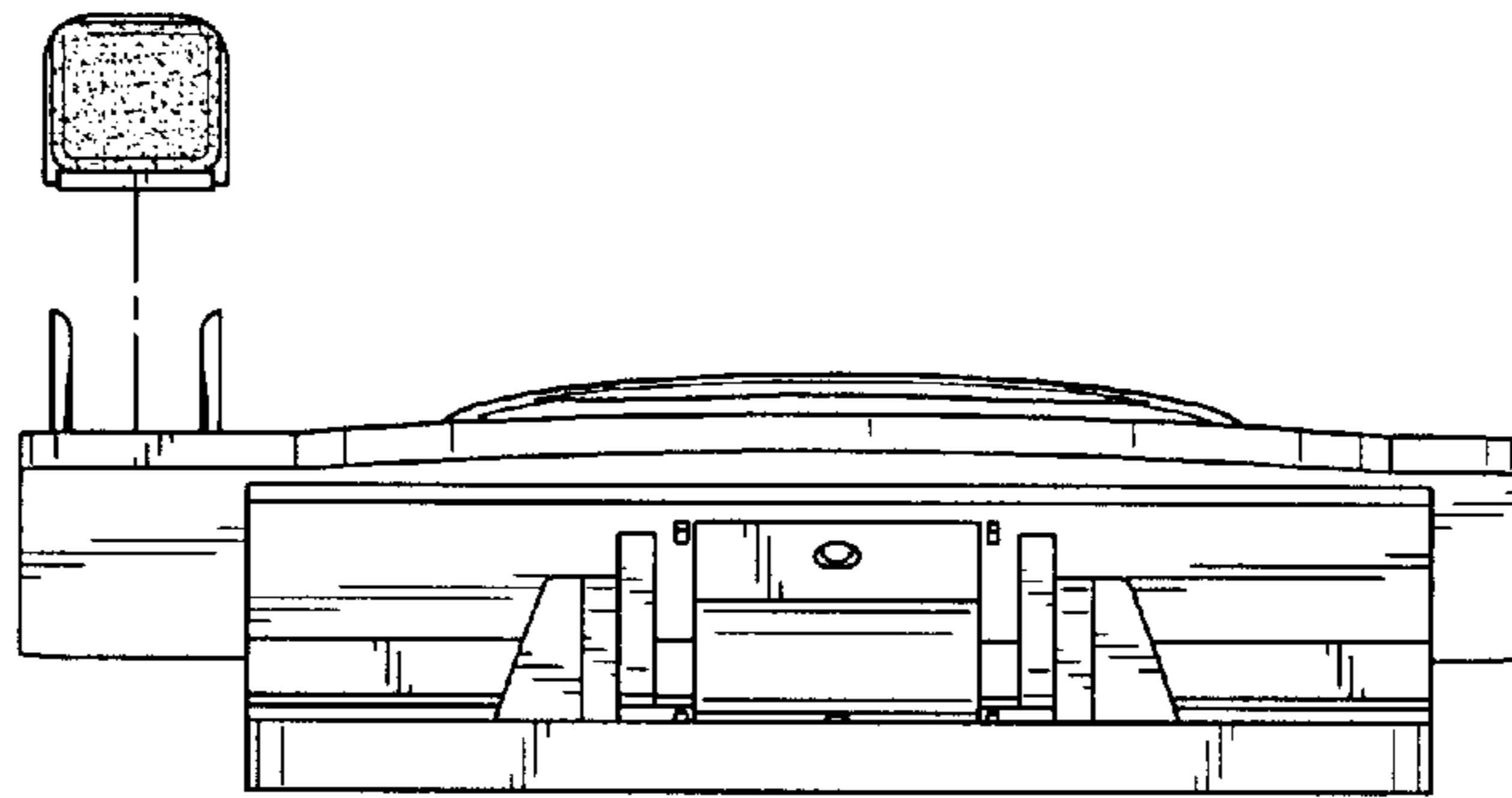


FIG. 6

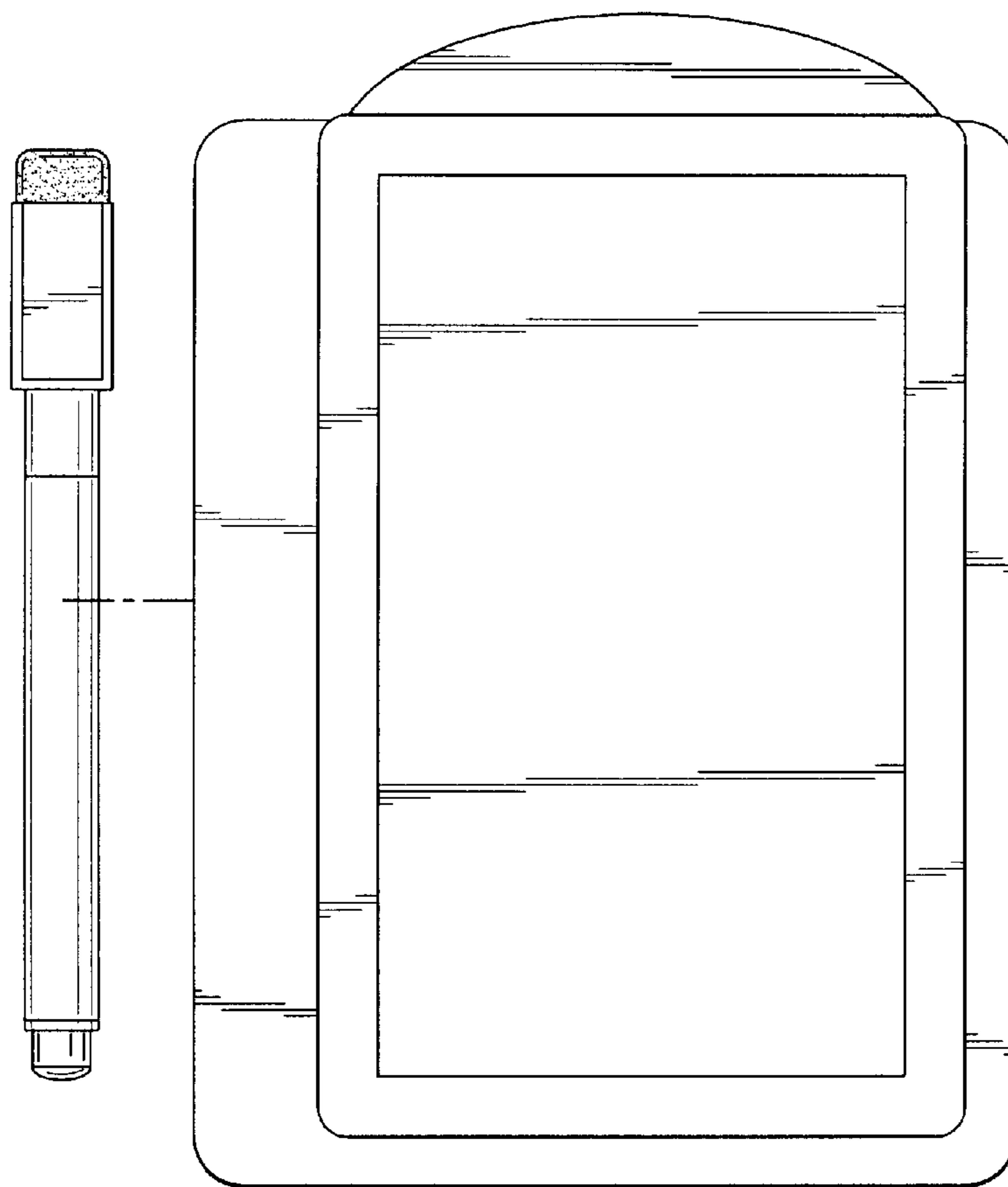


FIG. 7

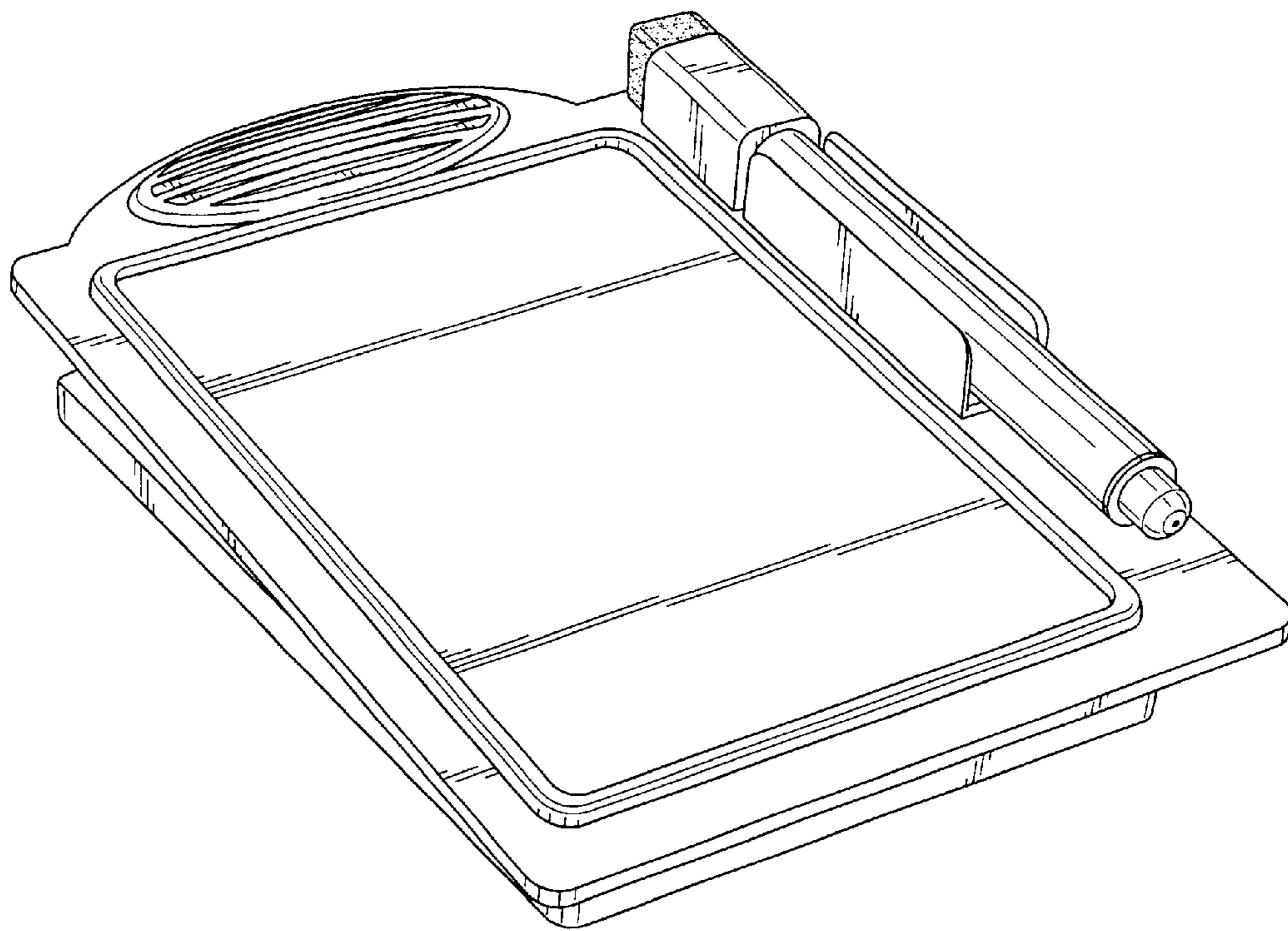


FIG. 8