

US00D508951S

(12) **United States Design Patent**
Cetera

(10) **Patent No.:** **US D508,951 S**

(45) **Date of Patent:** **** Aug. 30, 2005**

- (54) **PEN**
- (75) **Inventor:** **Carl Cetera**, Tenafly, NJ (US)
- (73) **Assignee:** **Cotapaxi, Inc**, Carlstadt, NJ (US)
- (**) **Term:** **14 Years**
- (21) **Appl. No.:** **29/213,918**
- (22) **Filed:** **Sep. 23, 2004**
- (51) **LOC (8) Cl.** **19-06**
- (52) **U.S. Cl.** **D19/51; D19/55; D19/56;**
D19/47
- (58) **Field of Search** D19/35, 36, 41-51,
D19/53-58, 81-85; 401/6, 7, 88, 99-102,
103-106, 107-117, 209; 24/10 R, 11 R,
11 P, 11 PP, 11 F, 11 M

- 6,158,910 A * 12/2000 Jolly et al. 401/6
- 6,471,433 B1 * 10/2002 Lee 401/195
- D495,365 S * 8/2004 Cetera D19/51
- D498,261 S * 11/2004 Hamilton et al. D19/51
- D498,496 S * 11/2004 Volk D19/54
- D500,793 S * 1/2005 Koch D19/51
- 6,837,637 B1 * 1/2005 Beck et al. 401/6

* cited by examiner

Primary Examiner—Martie K. Holtje
(74) *Attorney, Agent, or Firm*—Brian Carpenter

(57) **CLAIM**

The ornamental design for the pen, as shown and described.

DESCRIPTION

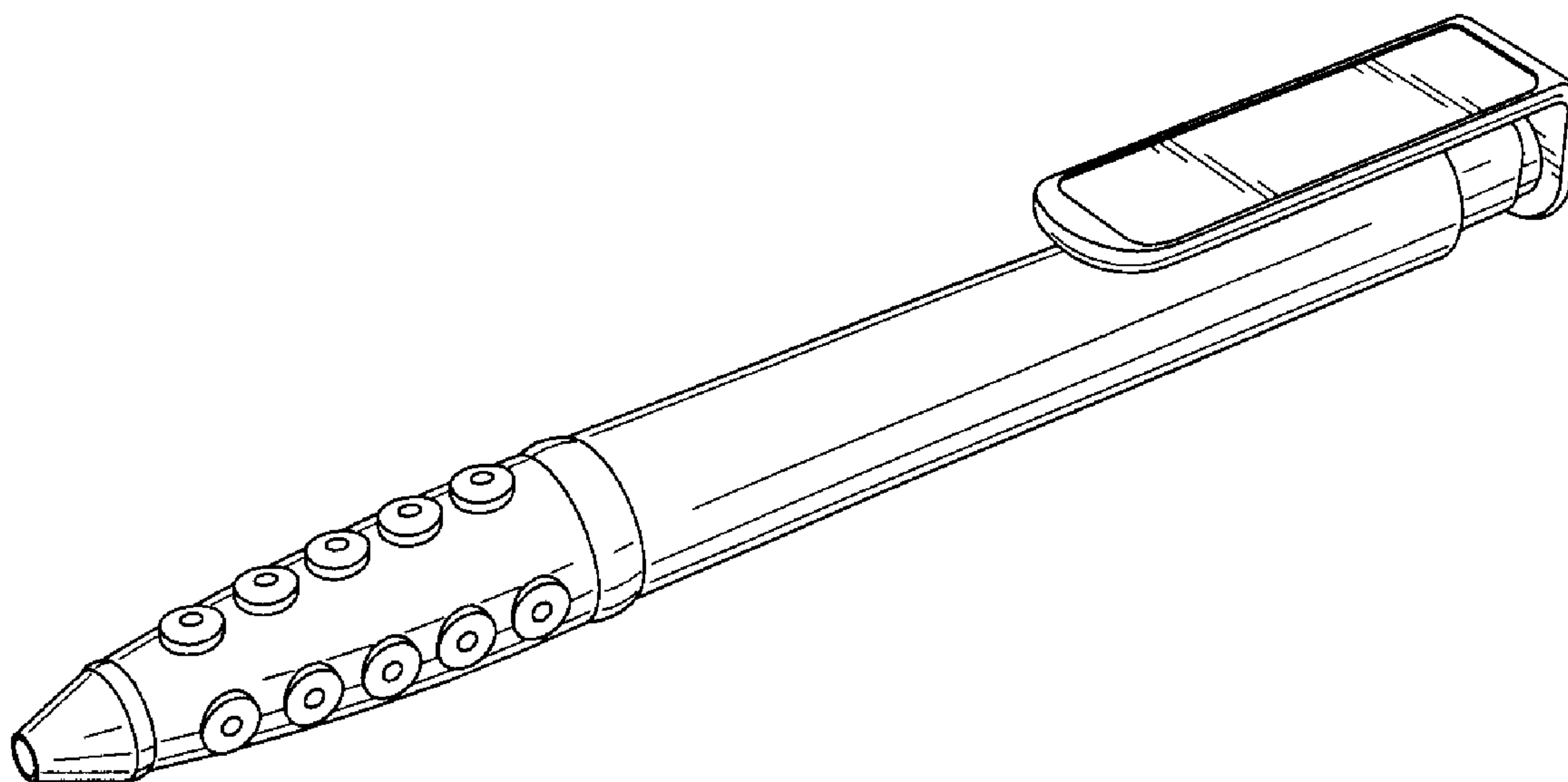
FIG. 1 is a front perspective view of the pen;
FIG. 2 is a front elevation view of the pen of FIG. 1;
FIG. 3 is a side elevation view of the pen of FIG. 1;
FIG. 4 is a back side elevation view of the pen of FIG. 1;
FIG. 5 is a bottom plan view of the pen of FIG. 1; and,
FIG. 6 is a top plan view of the pen of FIG. 1.

(56) **References Cited**

U.S. PATENT DOCUMENTS

- D324,238 S * 2/1992 Nitta D19/49
- D367,674 S * 3/1996 Kitzmiller D19/53

1 Claim, 2 Drawing Sheets



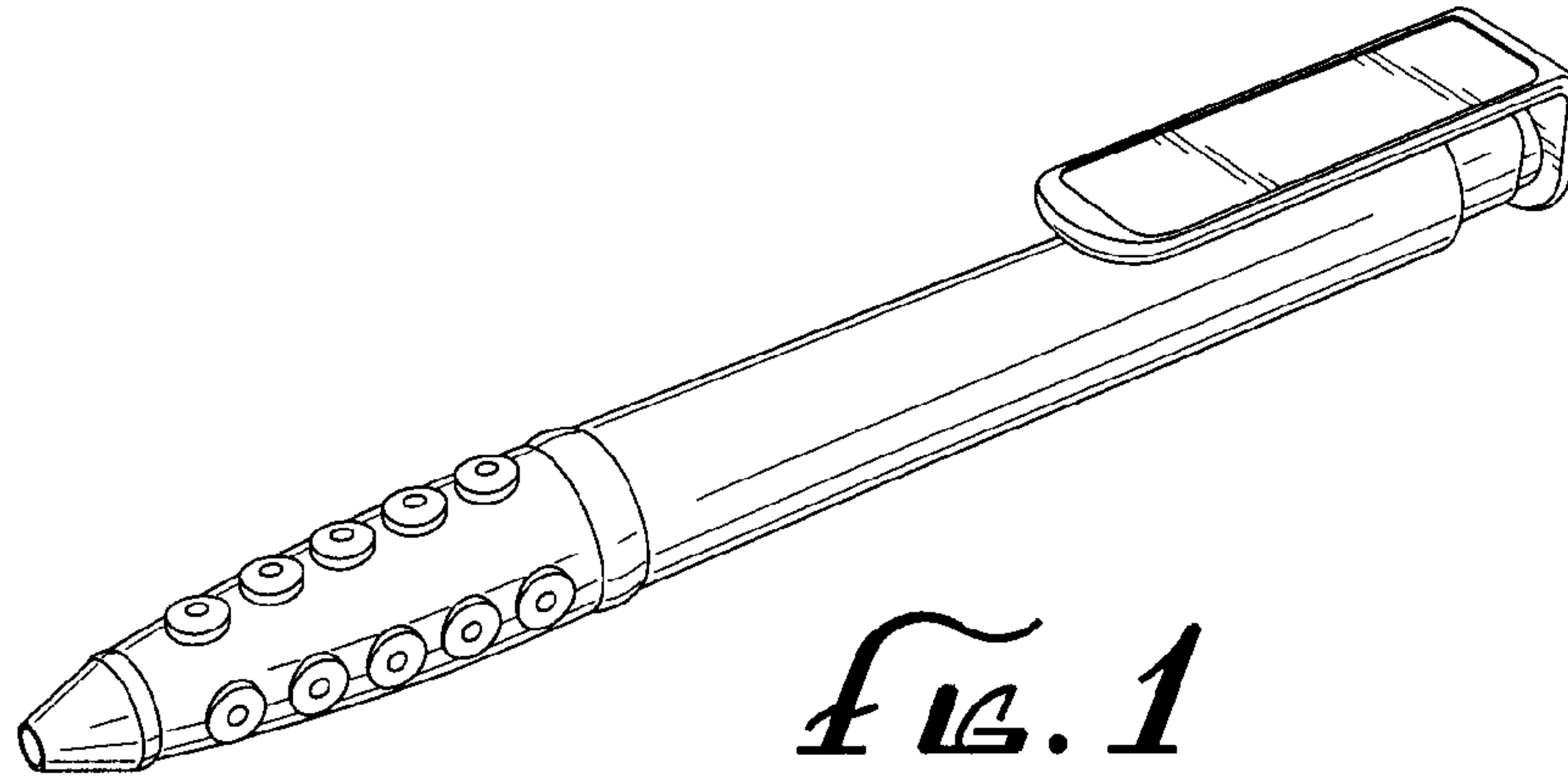


FIG. 1

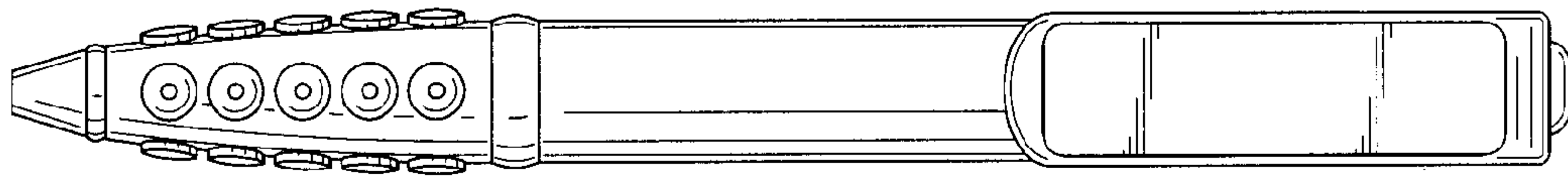


FIG. 2

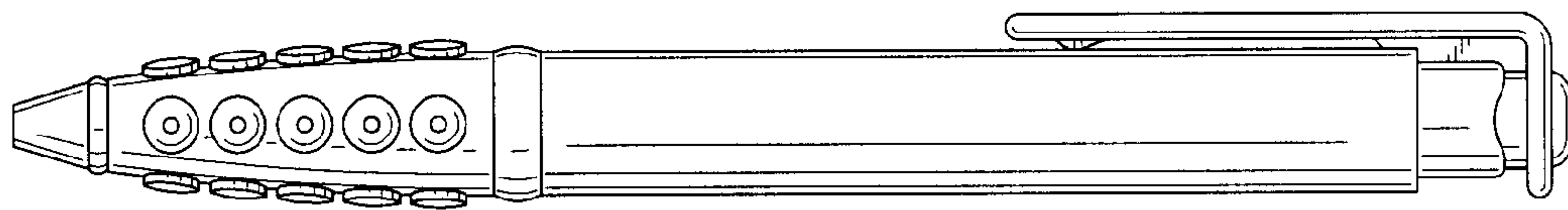


FIG. 3

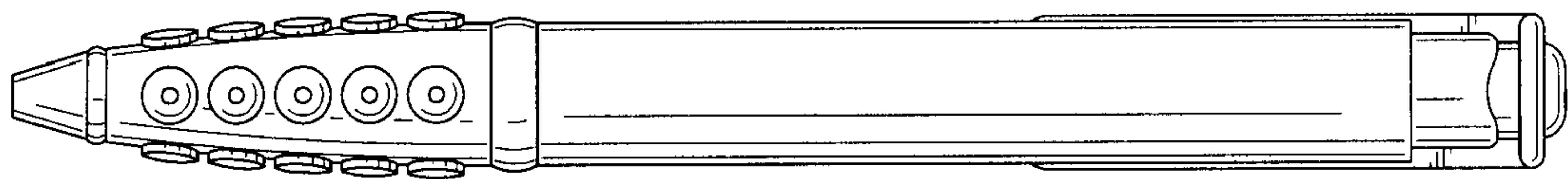


FIG. 4

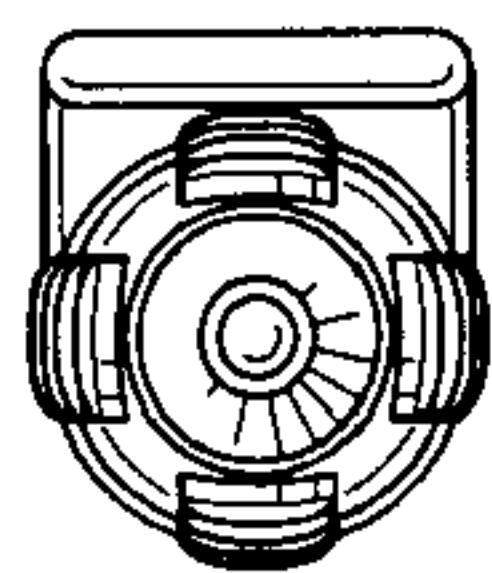


FIG. 5

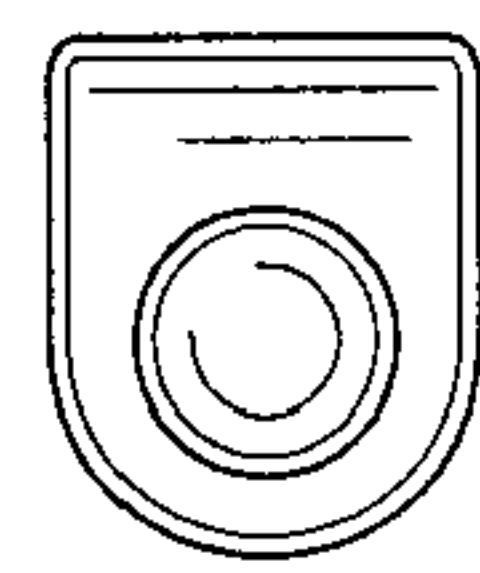


FIG. 6