

US00D508945S

(12) **United States Design Patent**  
**Ishii et al.**

(10) **Patent No.:** **US D508,945 S**

(45) **Date of Patent:** **\*\* Aug. 30, 2005**

(54) **TONER CARTRIDGE**

(75) Inventors: **Makoto Ishii**, Nagoya (JP); **Hiroshi Tokuda**, Nagoya (JP); **Hiroki Mori**, Nagoya (JP)

(73) Assignee: **Brother Industries, Ltd.**, Nagoya (JP)

(\*\*) Term: **14 Years**

(21) Appl. No.: **29/199,275**

(22) Filed: **Feb. 12, 2004**

(30) **Foreign Application Priority Data**

Aug. 12, 2003 (JP) ..... 2003-023552

(51) **LOC (8) Cl.** ..... **16-03**

(52) **U.S. Cl.** ..... **D18/43**

(58) **Field of Search** ..... D18/40, 43, 56;  
222/DIG. 1; 399/16, 23-31, 75, 81, 109-125,  
151, 222, 252-262, 310, 361, 377, 378,  
392, 393

(56) **References Cited**

**U.S. PATENT DOCUMENTS**

- D397,140 S \* 8/1998 Oshida ..... D18/40
- D401,615 S \* 11/1998 Goto et al. .... D18/40
- D422,304 S 4/2000 Suzuki et al.
- D423,559 S 4/2000 Suzuki et al.
- D442,216 S 5/2001 Kimura et al.
- D447,511 S 9/2001 Kimura et al.

- D471,228 S 3/2003 Okabe et al.
- D471,583 S 3/2003 Okabe et al.
- D489,753 S \* 5/2004 Batori et al. .... D18/40

\* cited by examiner

*Primary Examiner*—Caron D. Veynar

(74) *Attorney, Agent, or Firm*—Oliff & Berridge, PLC

(57) **CLAIM**

The ornamental design for a toner cartridge, as shown and described.

**DESCRIPTION**

FIG. 1 is a front elevation view of a toner cartridge of the present invention;

FIG. 2 is a top plan view thereof;

FIG. 3 is a right side view thereof;

FIG. 4 is a left side view thereof;

FIG. 5 is a rear elevation view thereof;

FIG. 6 is a bottom plan view thereof;

FIG. 7 is a top perspective view thereof;

FIG. 8 is an enlarged partial view of FIG. 1;

FIG. 9 is an enlarged partial view of FIG. 2;

FIG. 10 is an enlarged partial view of FIG. 4;

FIG. 11 is an enlarged partial view of FIG. 5;

FIG. 12 is an enlarged partial view of FIG. 6; and,

FIG. 13 is an enlarged partial view of FIG. 7.

The broken lines are for purposes of illustration only and form no part of the claimed design.

**1 Claim, 7 Drawing Sheets**

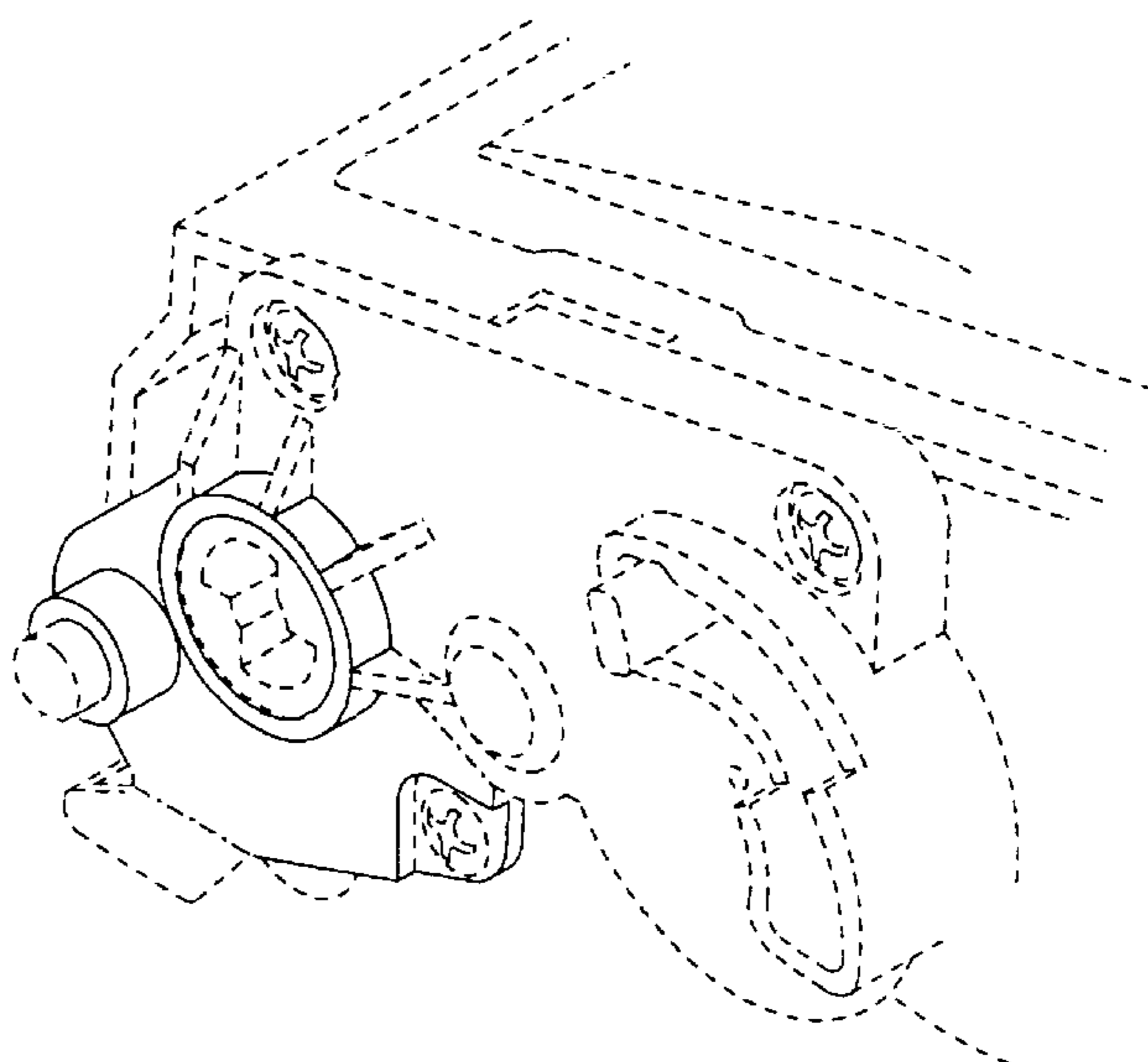
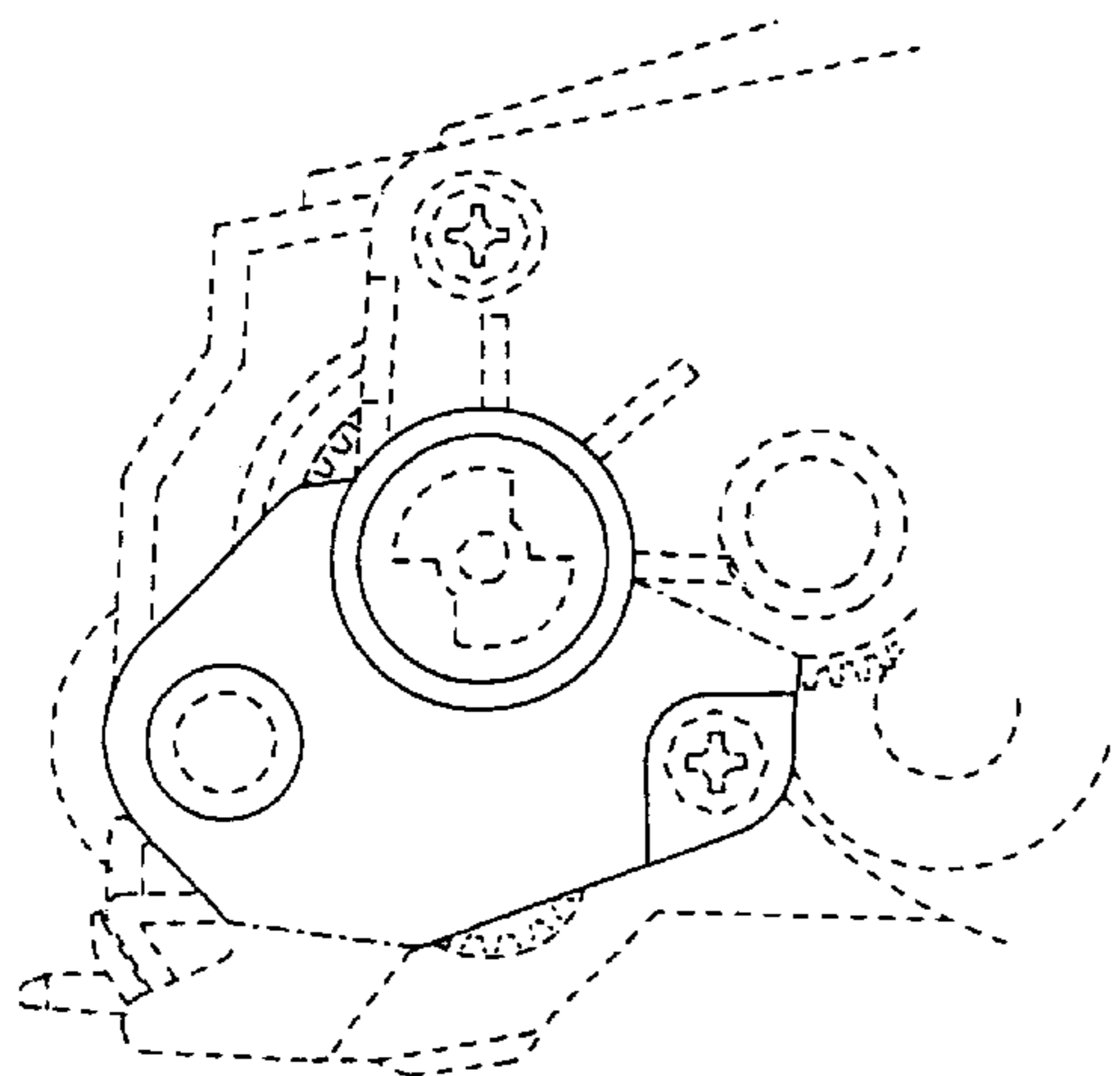


Fig. 1

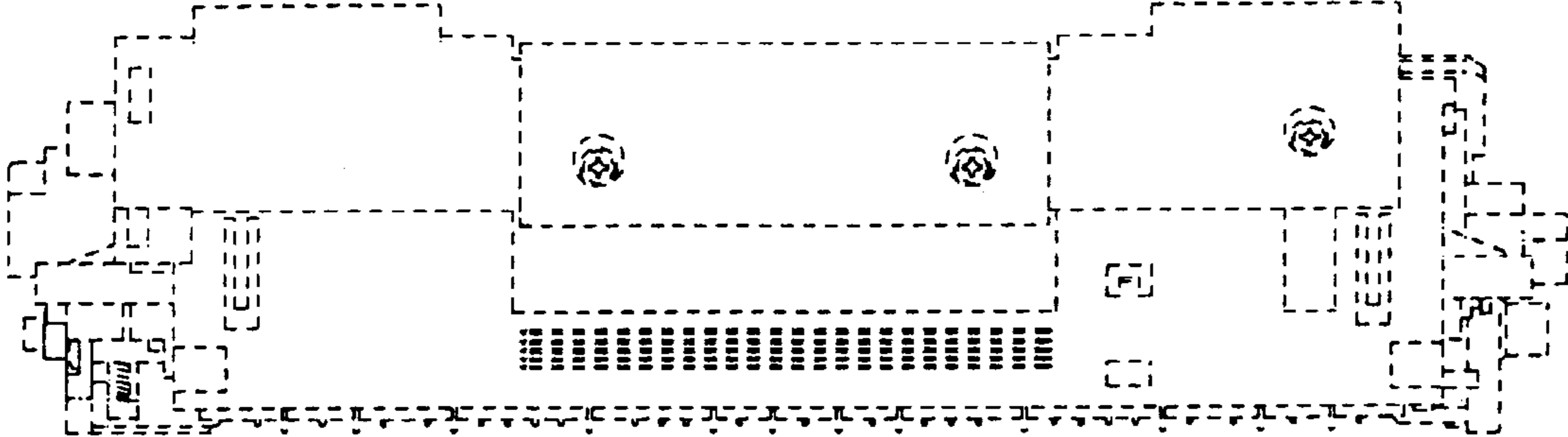


Fig. 2

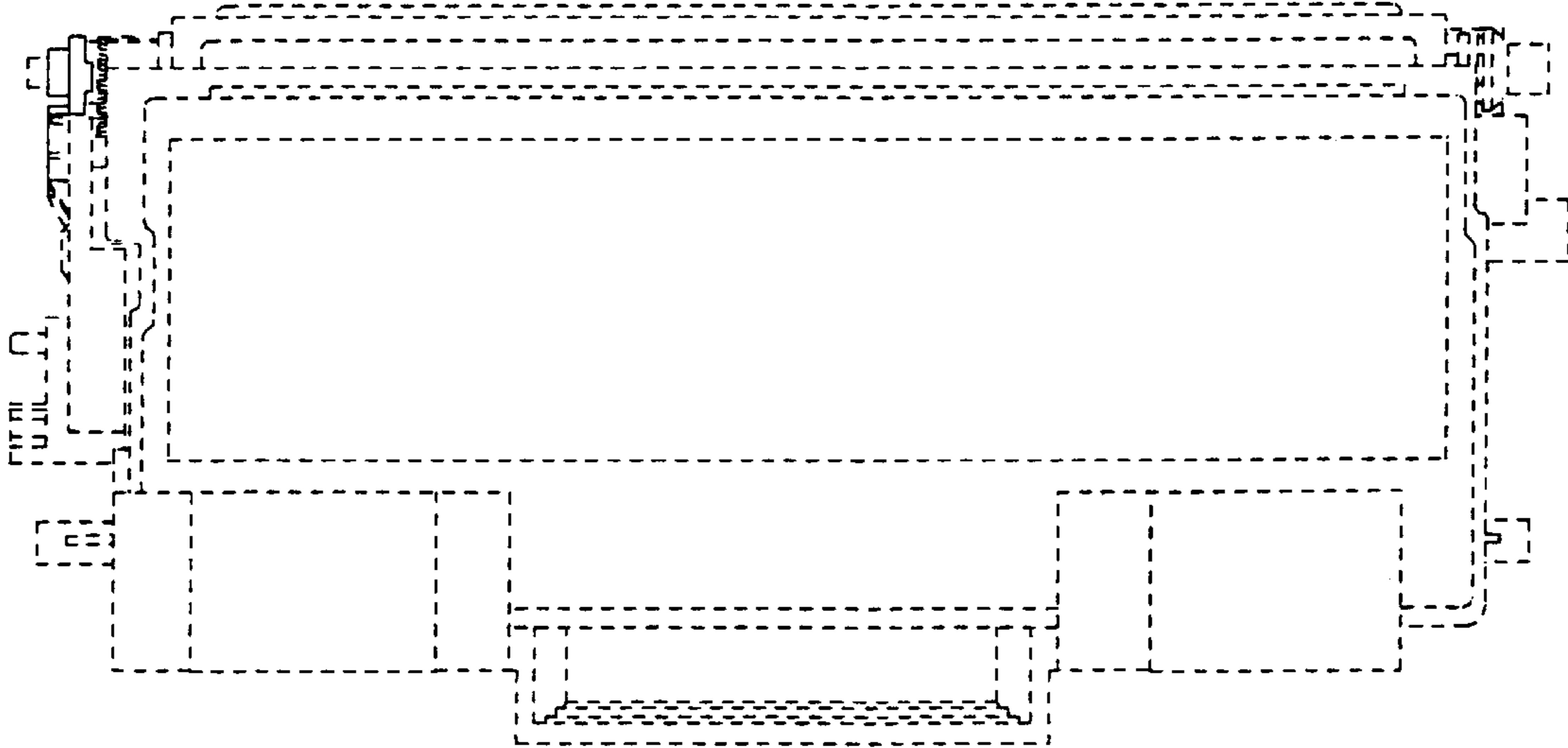


Fig. 3

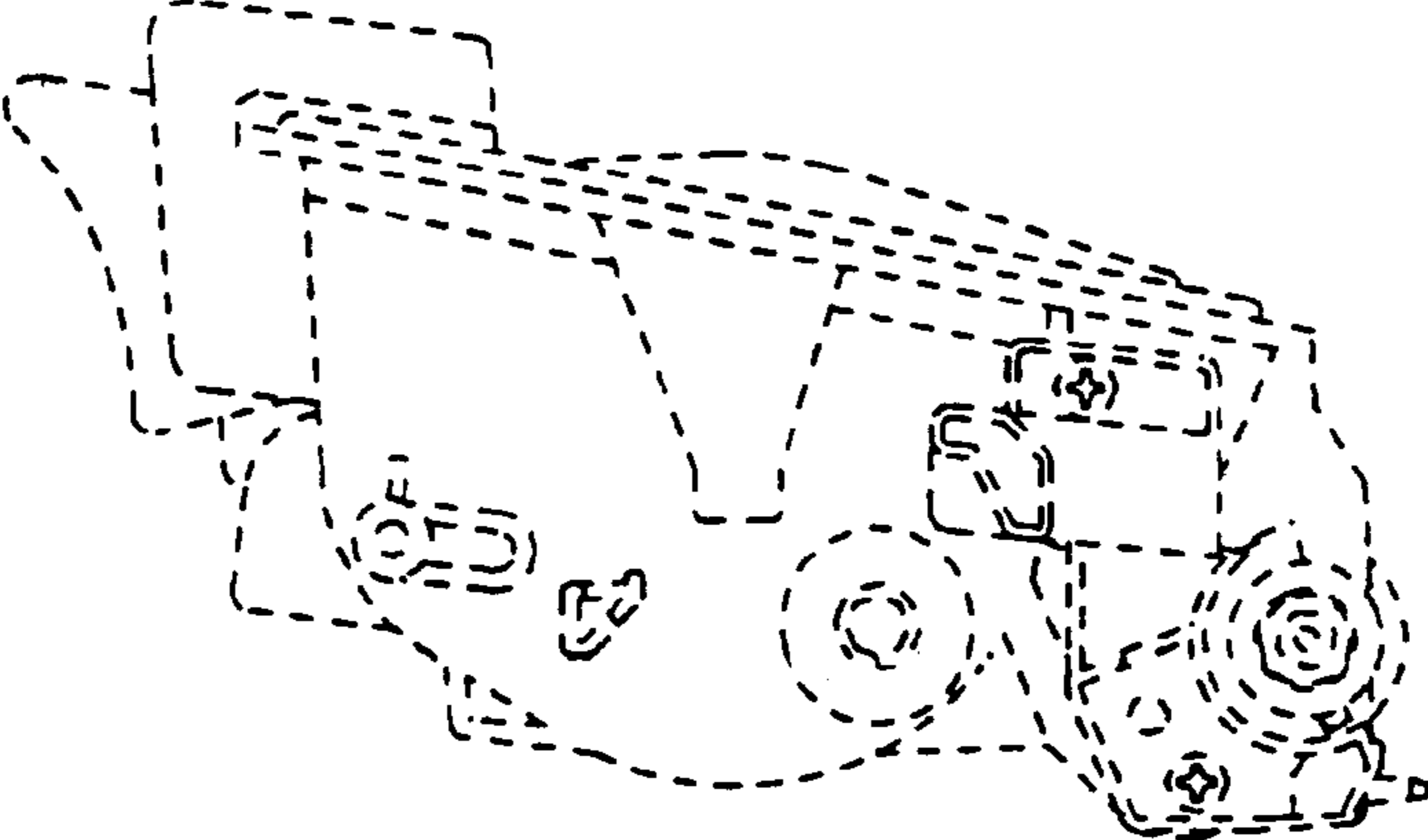


Fig. 4

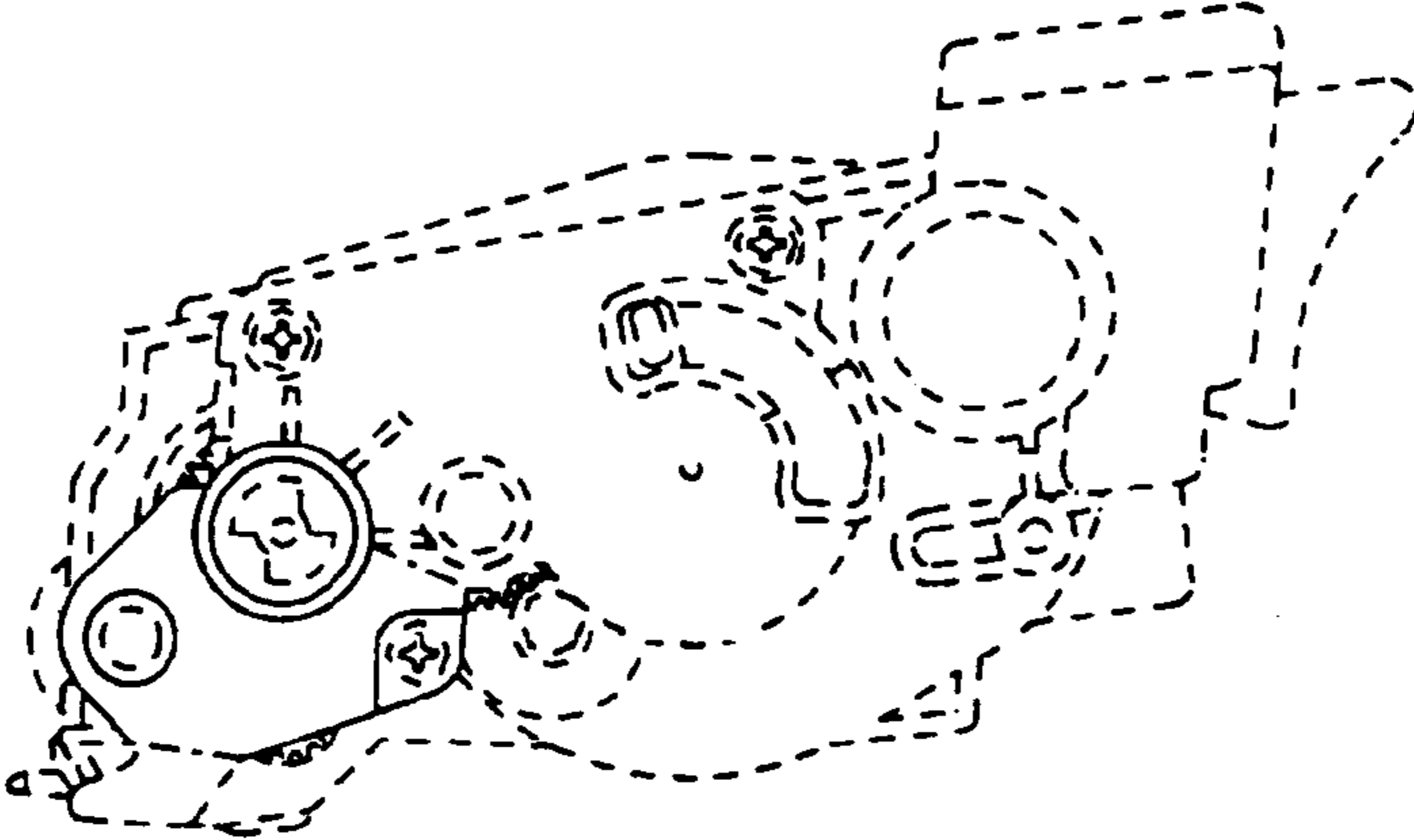


Fig. 5



Fig. 6

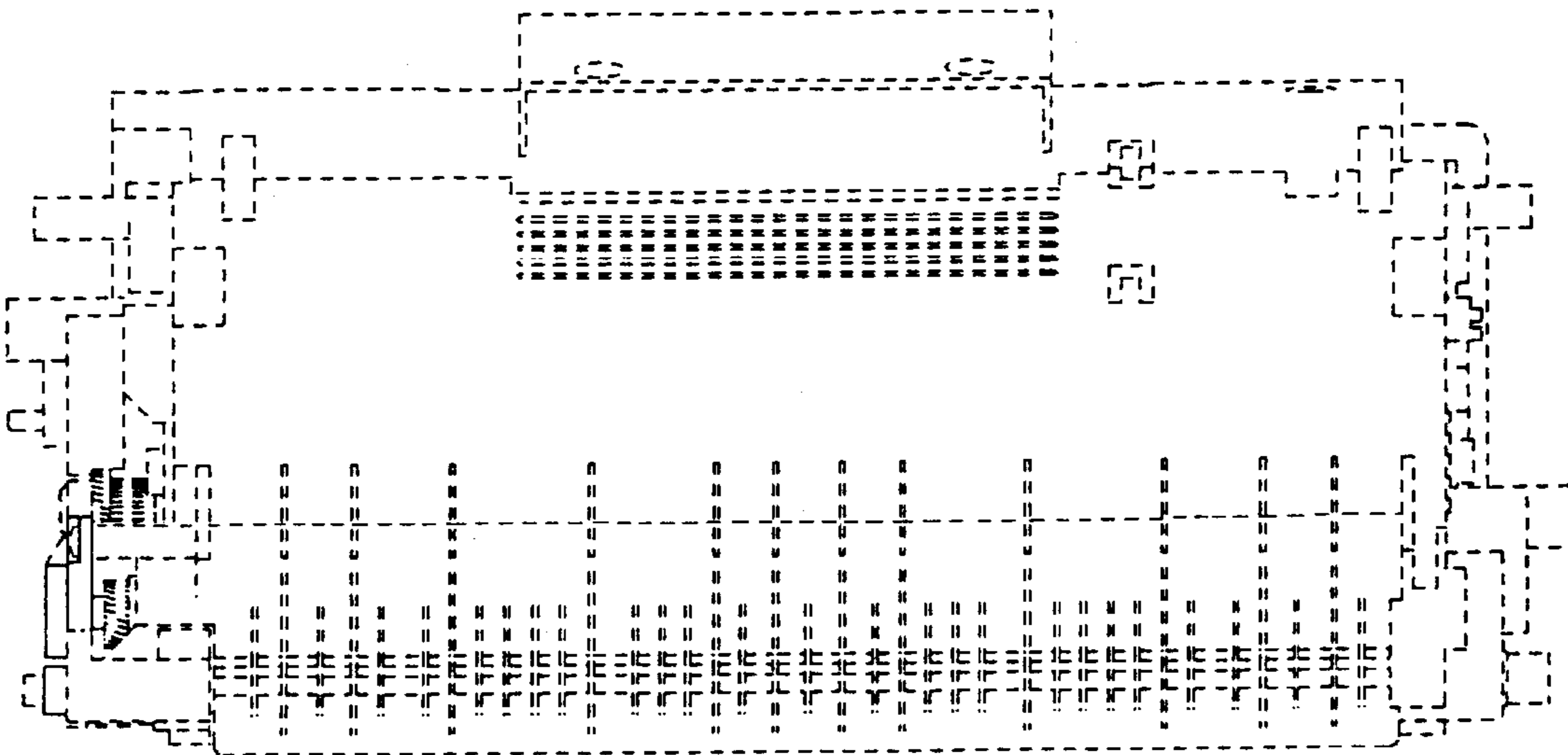


Fig. 7

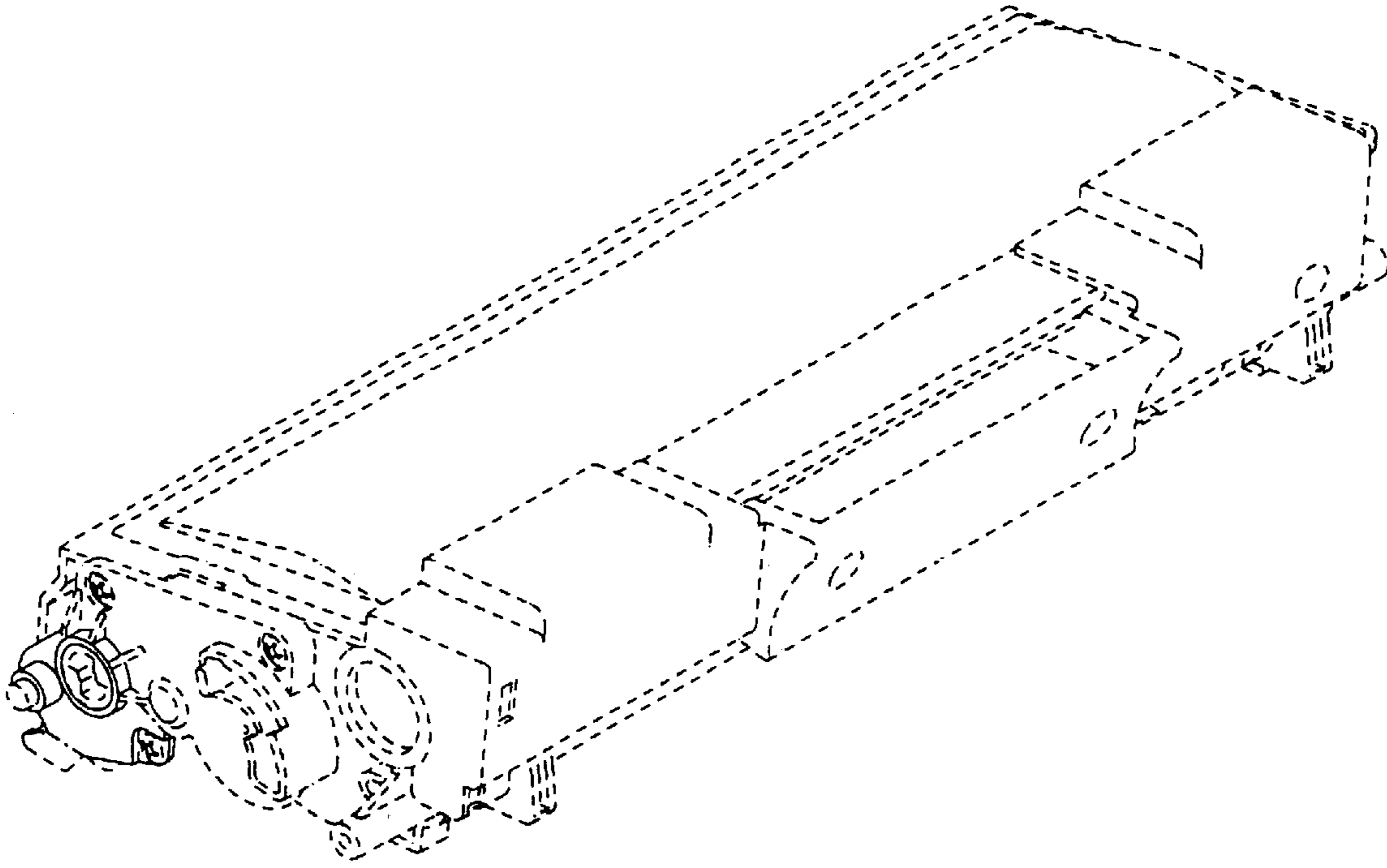


Fig. 8

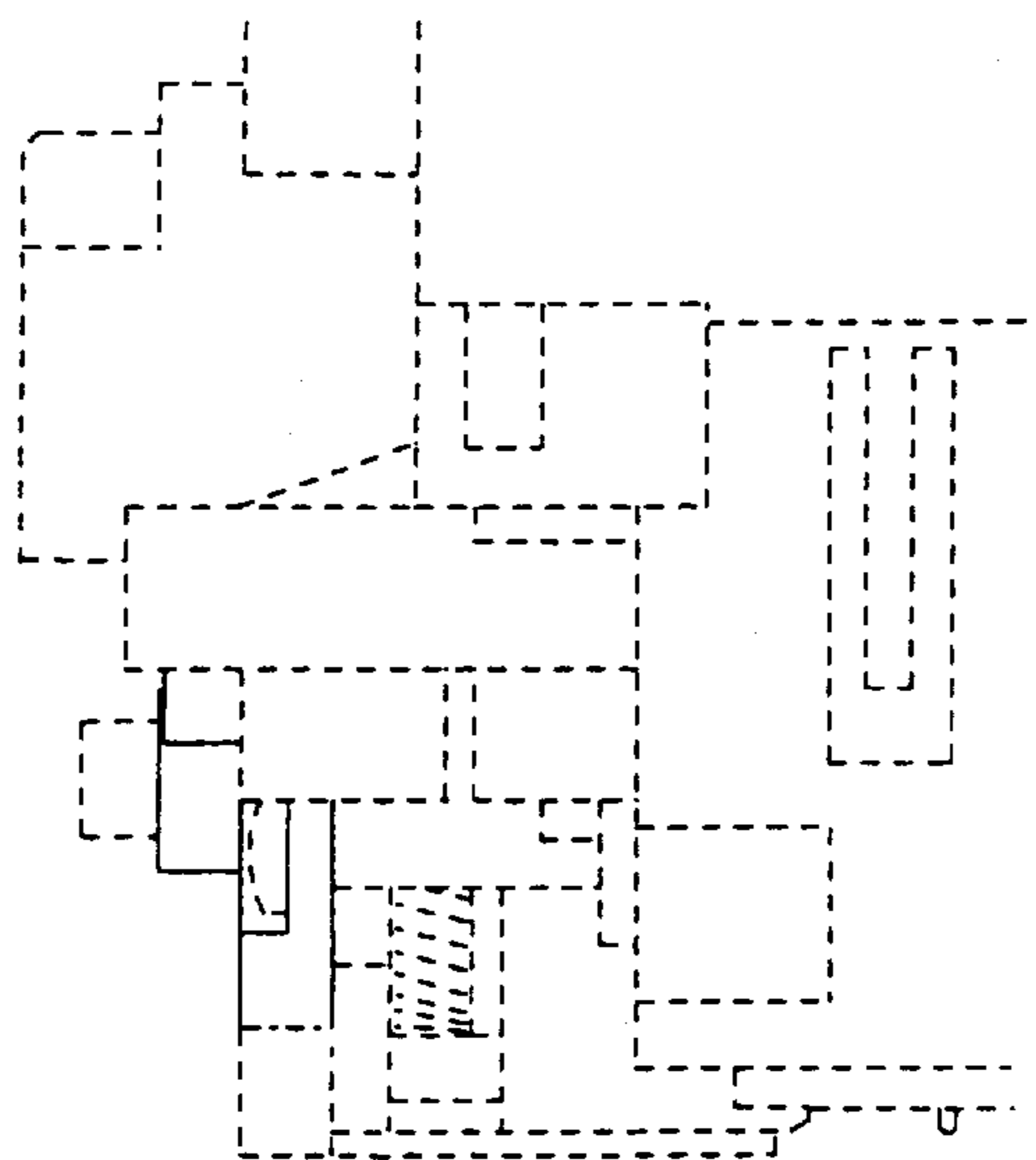


Fig. 9

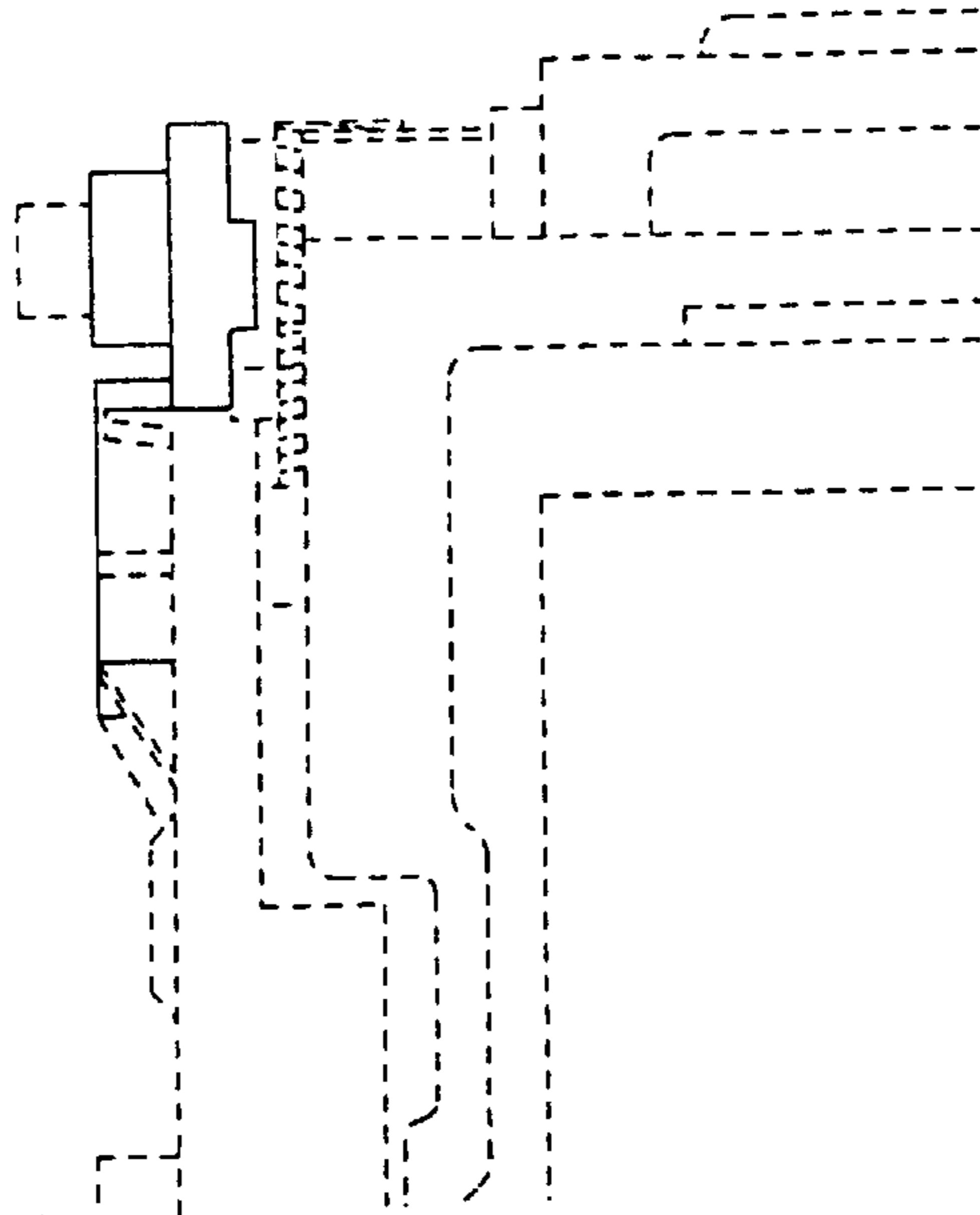


Fig. 10

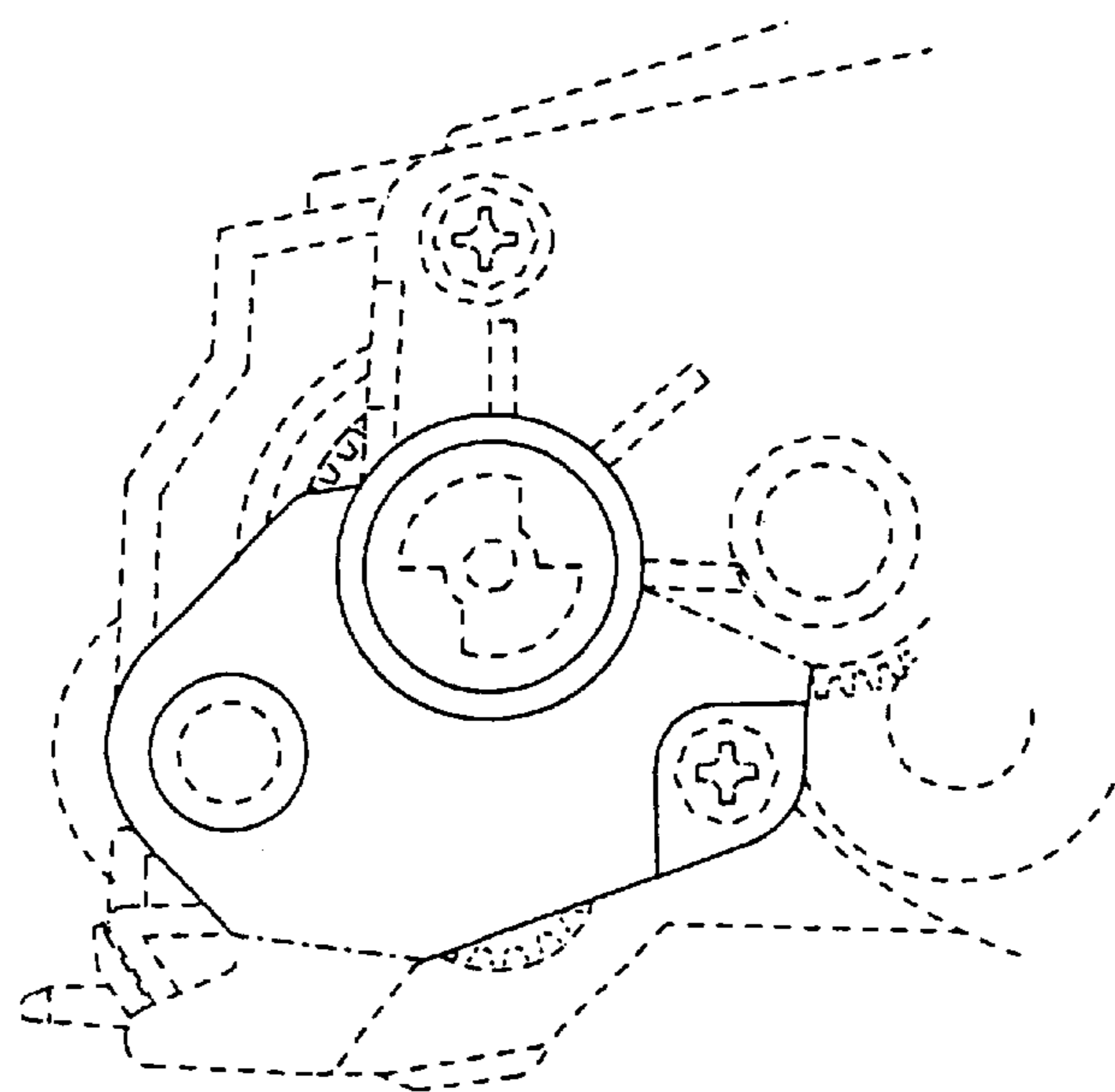


Fig. 11

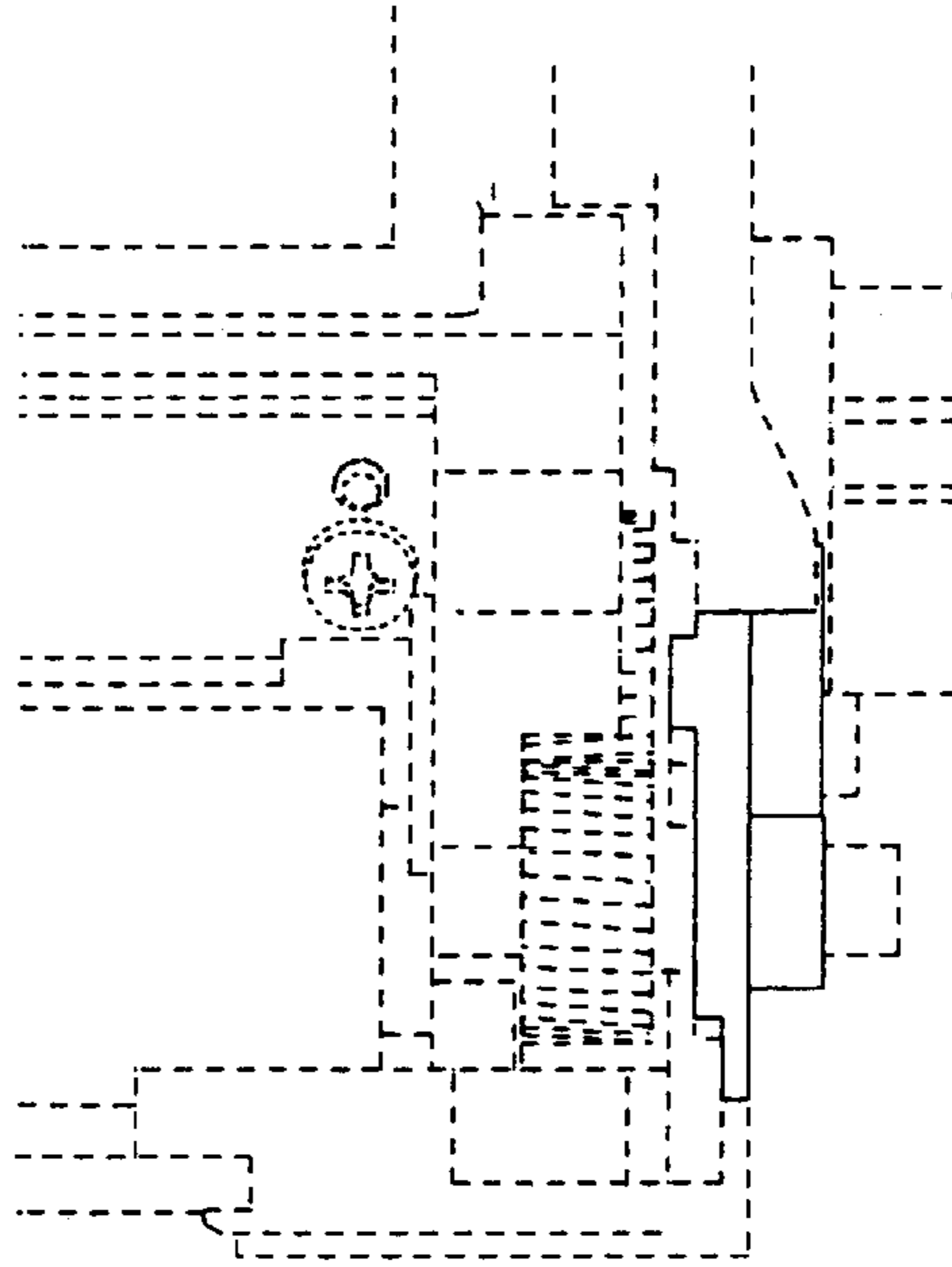


Fig. 12

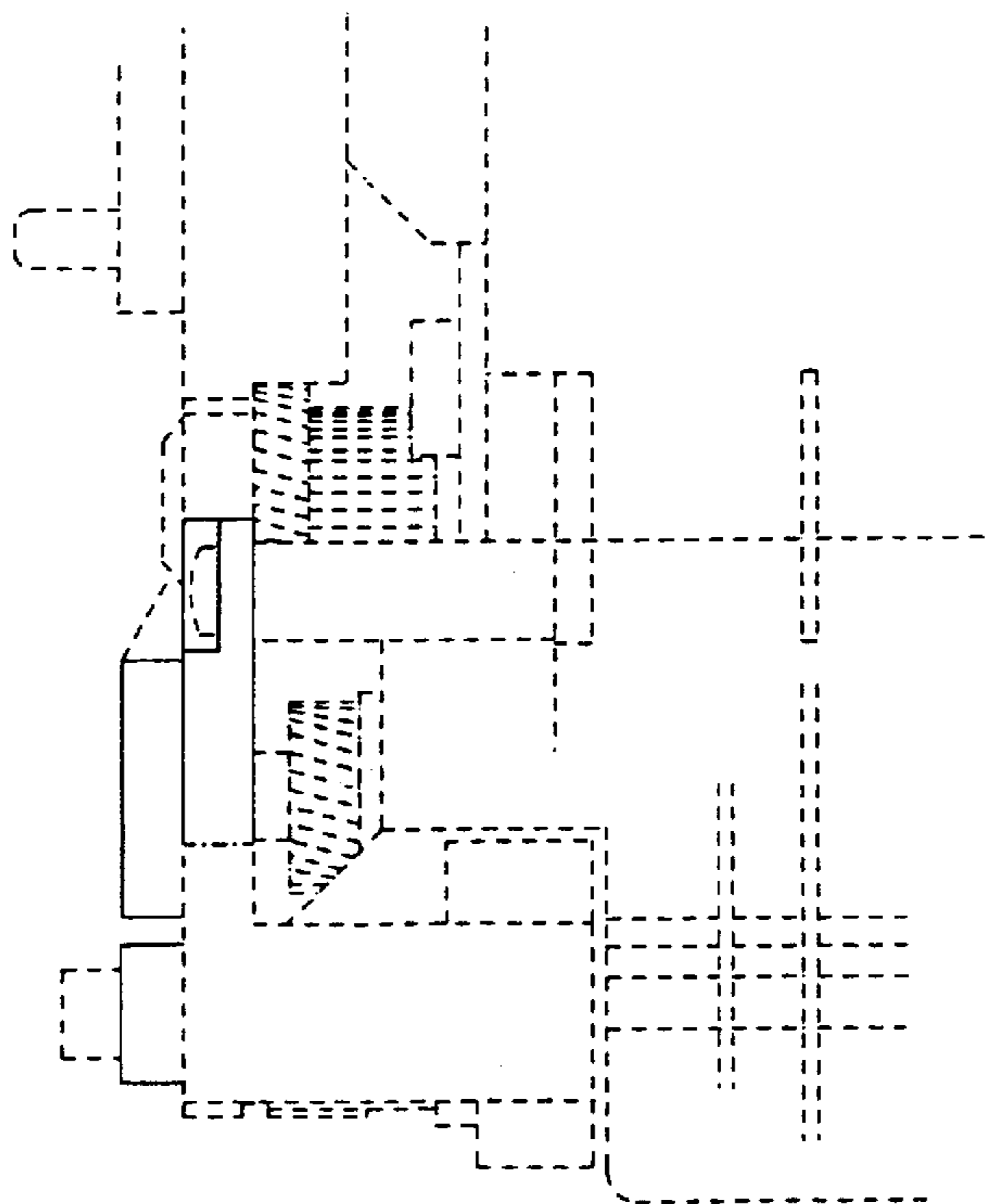


Fig. 13

