

US00D508944S

(12) **United States Design Patent**  
**Rieck et al.**

(10) **Patent No.:** **US D508,944 S**

(45) **Date of Patent:** **\*\* Aug. 30, 2005**

(54) **FOOTPRINT-REDUCING TOWER FOR AN  
IMAGE PRODUCING MACHINE**

(75) Inventors: **Kenneth J. Rieck**, Victor, NY (US);  
**Murray O. Meetze, Jr.**, Rochester, NY  
(US)

(73) Assignee: **Xerox Corporation**, Stamford, CT  
(US)

(\*\*) Term: **14 Years**

(21) Appl. No.: **29/198,367**

(22) Filed: **Jan. 28, 2004**

(51) **LOC (8) Cl.** ..... **16-03**

(52) **U.S. Cl.** ..... **D18/41; D18/40**

(58) **Field of Search** ..... D18/36-41, 46-50,  
D18/53; D14/462, 463; 355/97; 399/1,  
3, 75, 81, 82, 107, 110, 151, 361-365,  
377, 379, 380, 390, 391, 393, 405, 411

(56) **References Cited**

**U.S. PATENT DOCUMENTS**

D217,395 S \* 4/1970 Greenlee et al. .... D18/39

D218,201 S \* 7/1970 Wagner et al. .... D18/38  
D263,289 S \* 3/1982 Onoue et al. .... D18/38  
D322,805 S \* 12/1991 Grieder et al. .... D18/53  
D325,217 S \* 4/1992 Grieder et al. .... D18/53

\* cited by examiner

*Primary Examiner*—Caron D. Veynar

(74) *Attorney, Agent, or Firm*—Tallam I. Nguti

(57) **CLAIM**

The ornamental design for a footprint-reducing tower for an image producing machine, as shown and described.

**DESCRIPTION**

FIG. 1 is a perspective view of a footprint-reducing tower for an image producing machine showing the design of the present invention;

FIG. 2 is a front view thereof;

FIG. 3 is a left side view thereof;

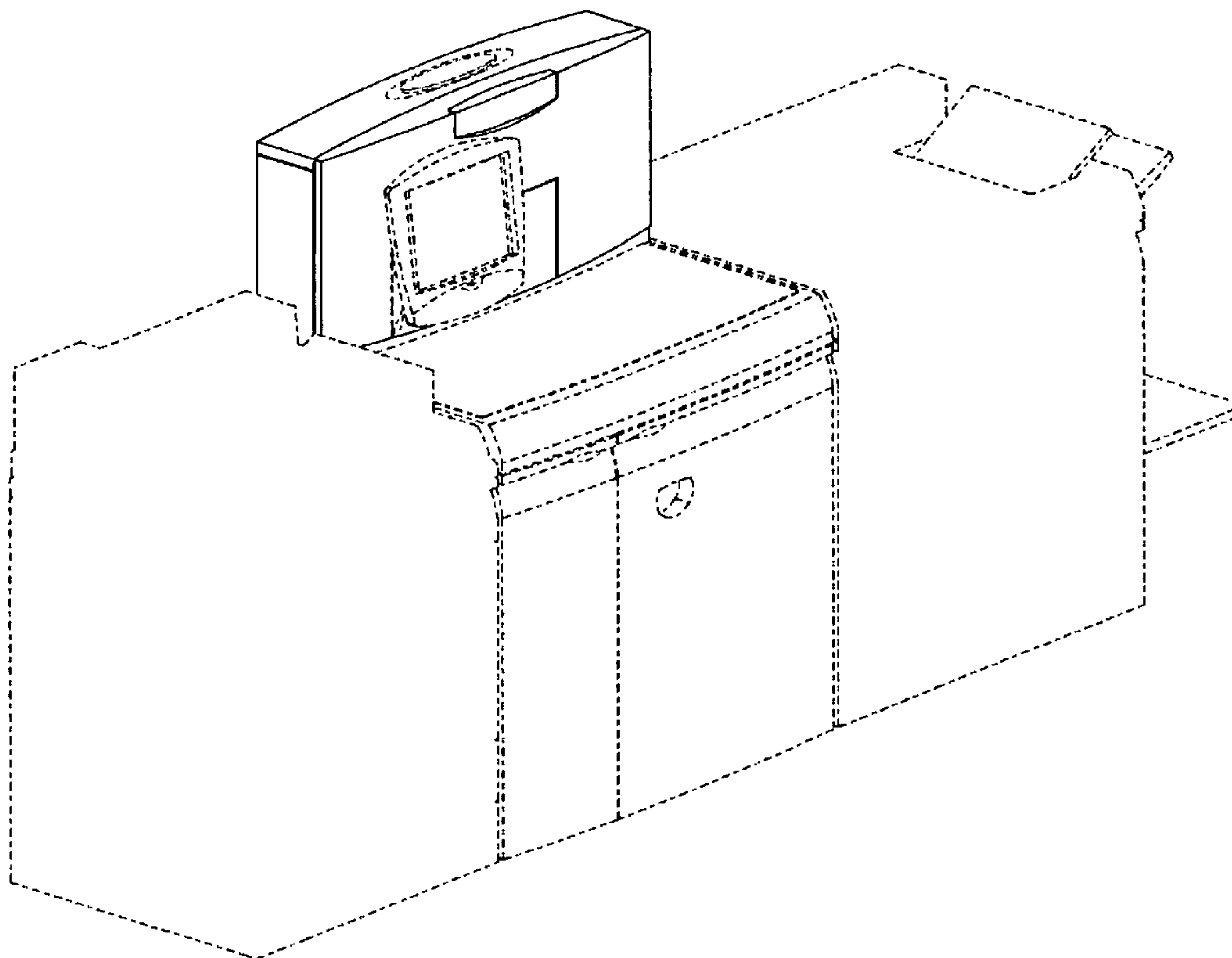
FIG. 4 is a rear view thereof;

FIG. 5 is a right side view thereof; and,

FIG. 6 is a top plan view thereof.

The broken lines shown are for illustrative purposes only and do not form part of the claimed design.

**1 Claim, 6 Drawing Sheets**



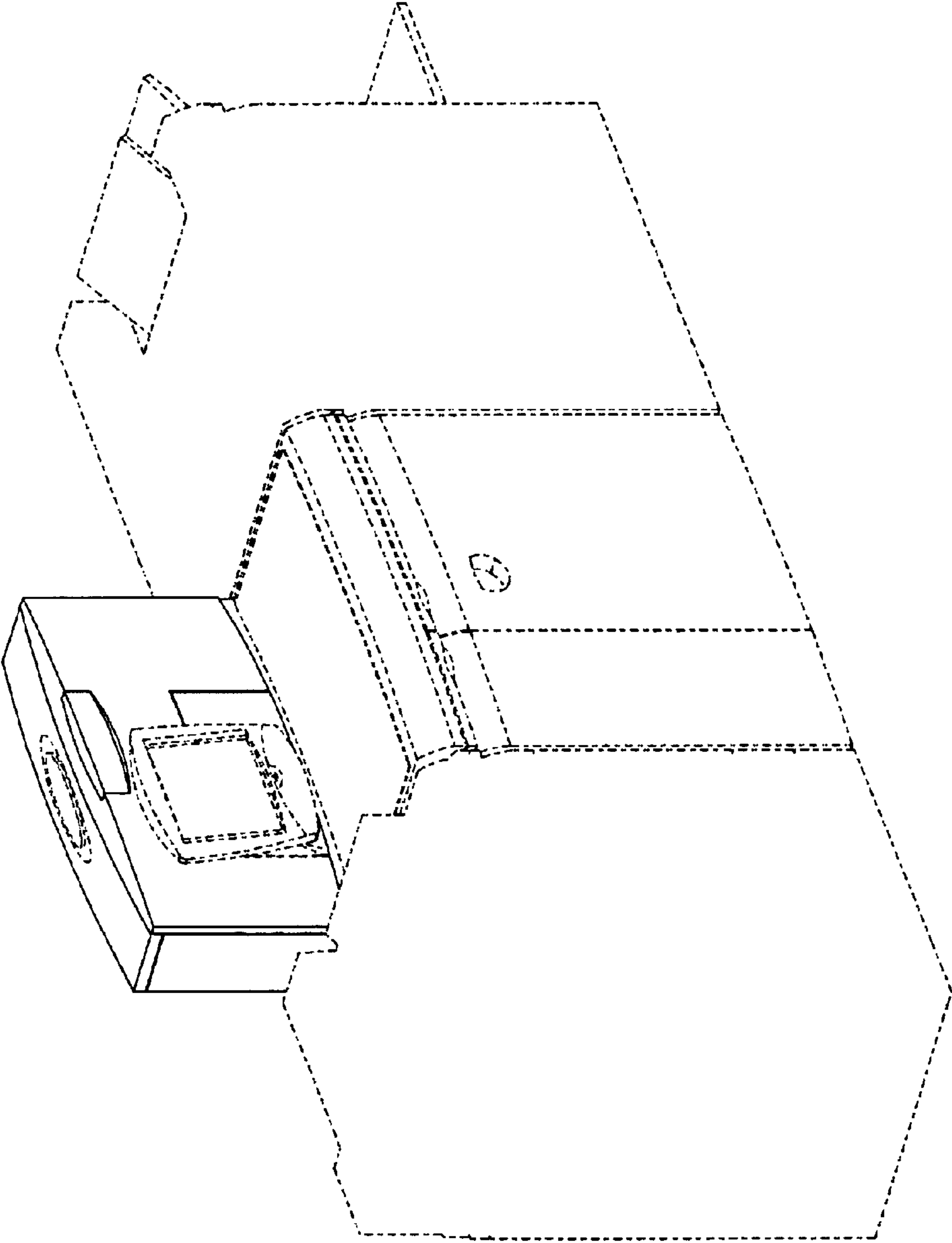


FIG. 7

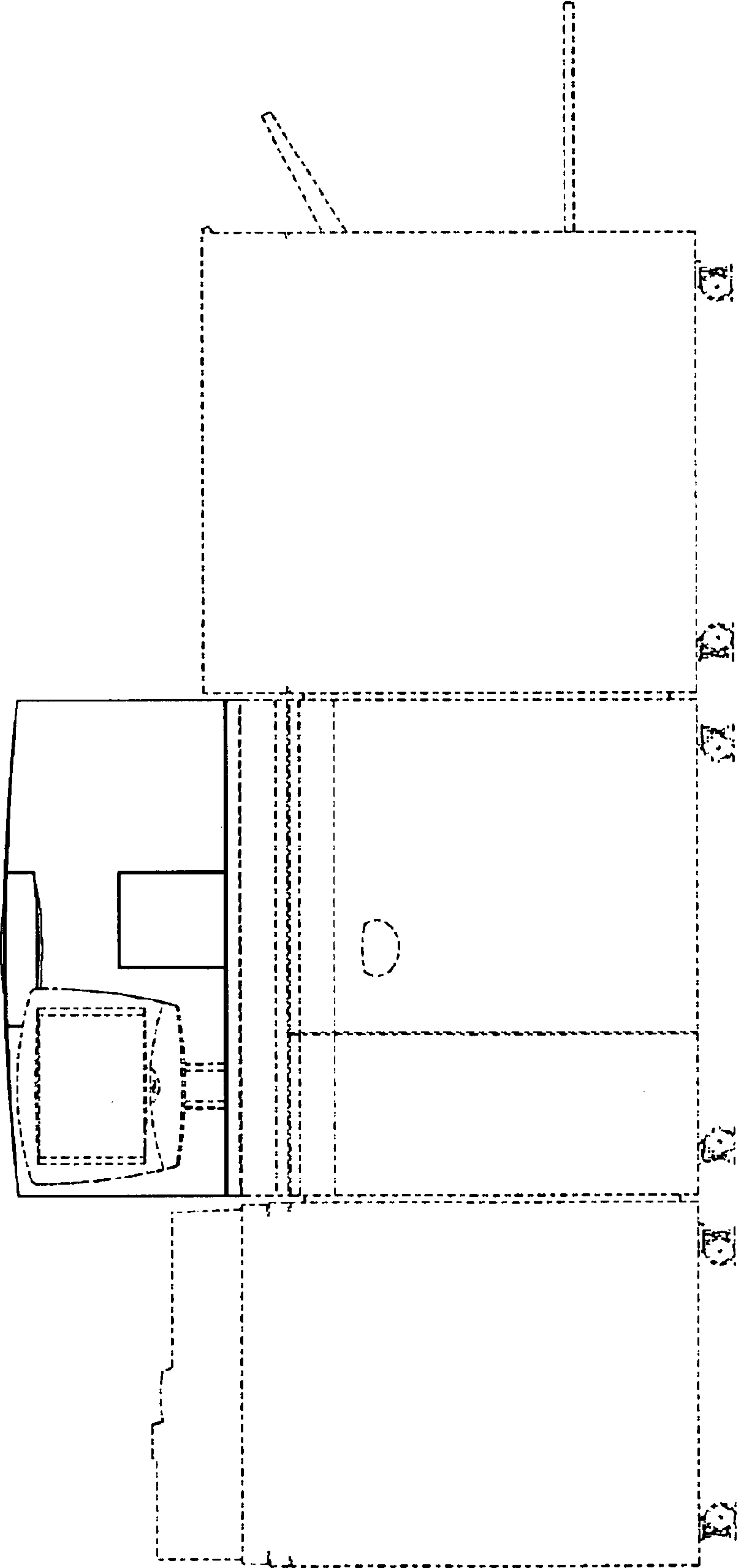
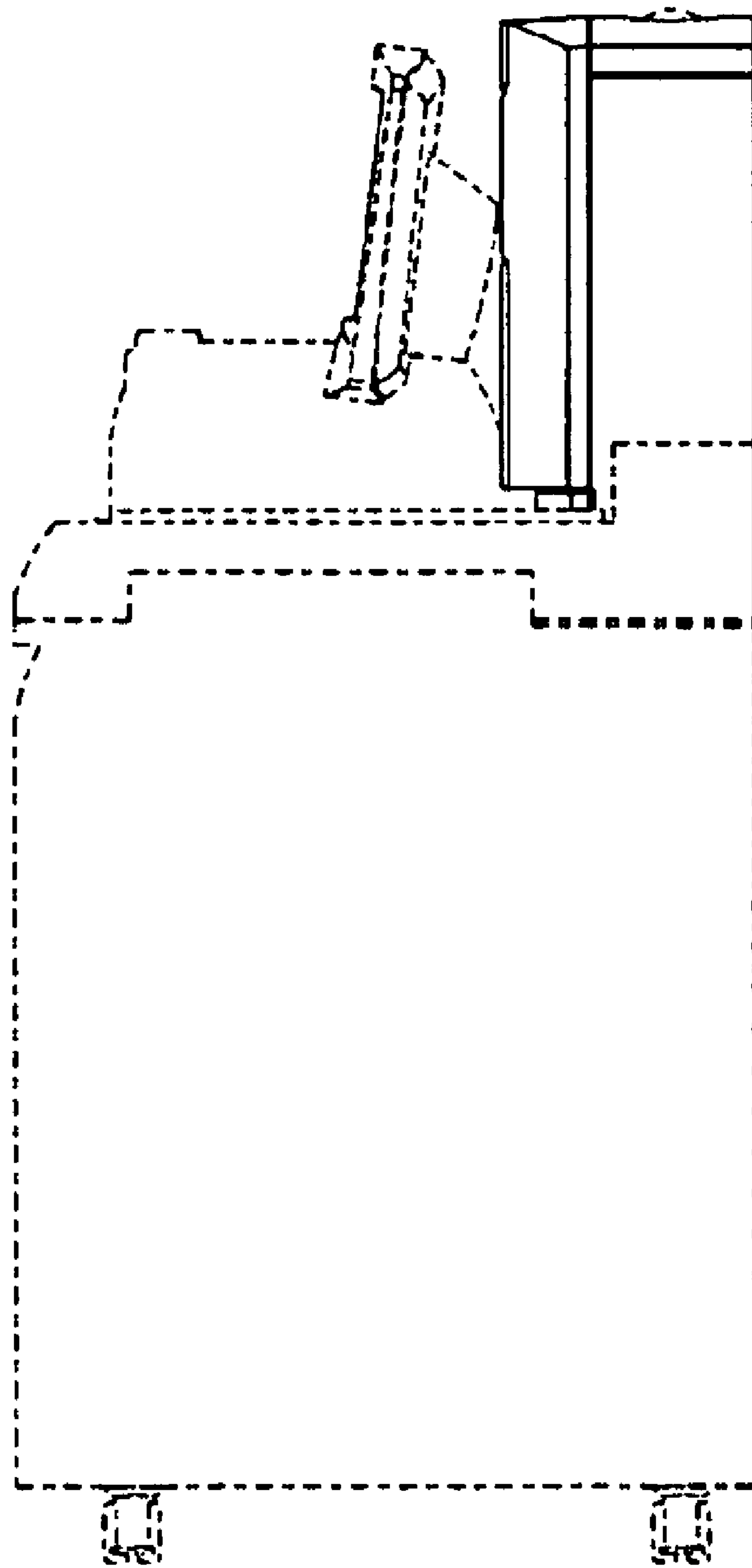


FIG. 2



**FIG. 3**

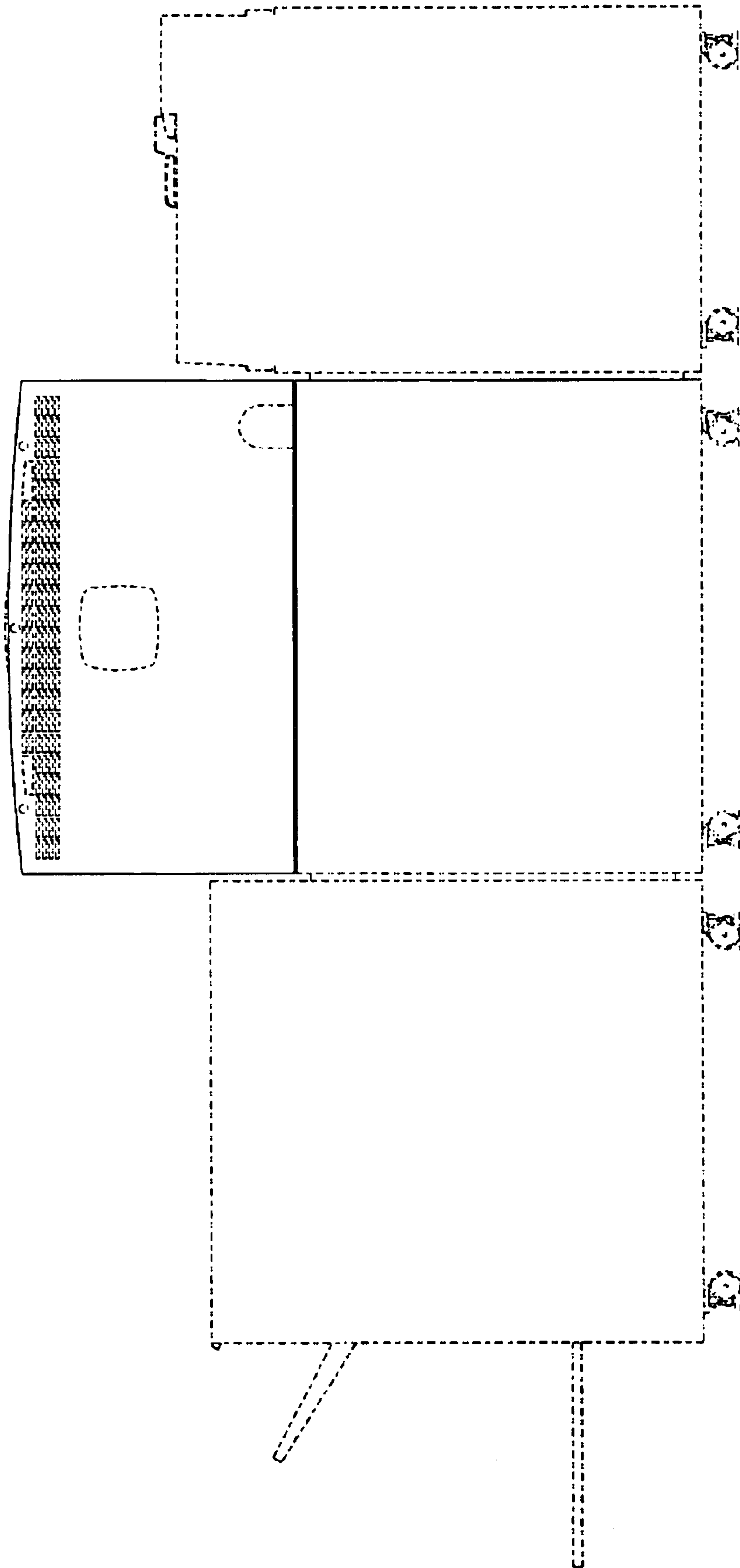
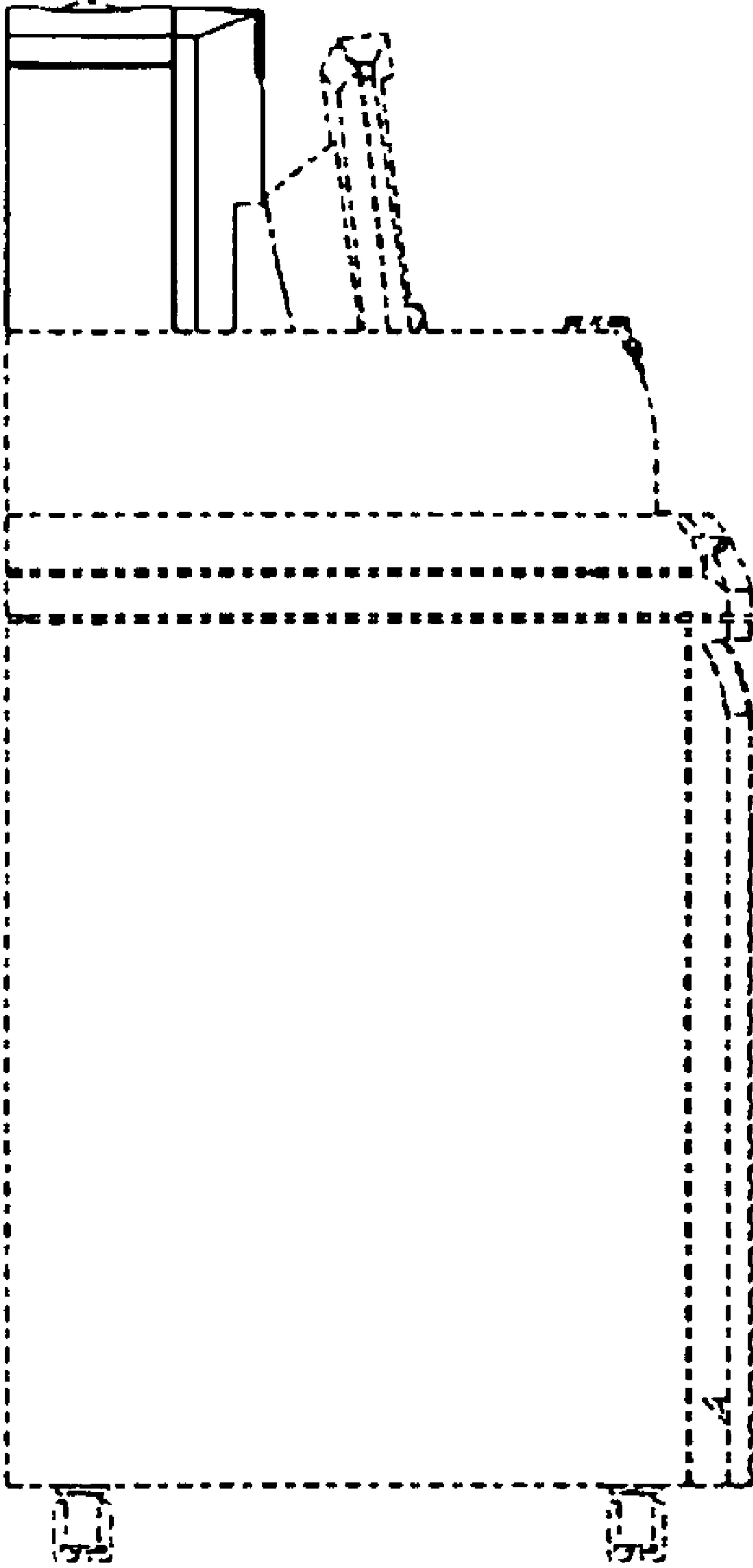


FIG. 4



**FIG. 5**

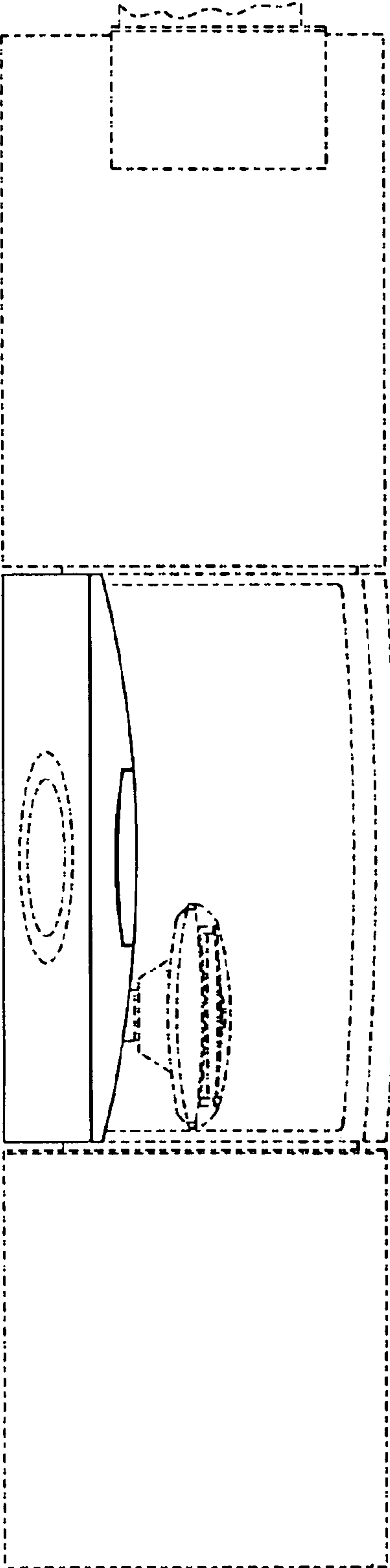


FIG. 6