

US00D508941S

(12) **United States Design Patent** (10) **Patent No.:** **US D508,941 S**  
**Solomon, Jr. et al.** (45) **Date of Patent:** **\*\* Aug. 30, 2005**

(54) **MULTIPLE FACE HAND PRINTING STAMP**

(76) Inventors: **John J. Solomon, Jr.**, 7 Whitney Dr.,  
Lincoln, RI (US) 02806; **John C.**  
**McCarthy**, 5 Middlebrook La., Lincoln,  
RI (US) 02865

(\*\*) Term: **14 Years**

(21) Appl. No.: **29/206,048**

(22) Filed: **May 26, 2004**

(51) **LOC (8) Cl.** ..... **19-02**

(52) **U.S. Cl.** ..... **D18/15**

(58) **Field of Search** ..... D18/14, 15, 16,  
D18/17, 19, 99; 101/327, 333, 334, 368,  
371, 379, 405, 328; D24/211

(56) **References Cited**

**U.S. PATENT DOCUMENTS**

D178,686 S	*	9/1956	Mitchell	.....	D18/15
D304,495 S	*	11/1989	Tyo et al.	.....	D24/211
4,924,773 A	*	5/1990	Gwilliam	.....	101/327
D318,685 S	*	7/1991	Kida	.....	D18/15
D321,365 S	*	11/1991	Bostick	.....	D18/15
D339,819 S	*	9/1993	Chen	.....	D18/15
D347,652 S	*	6/1994	Salisbury et al.	.....	D18/15
5,435,245 A	*	7/1995	Salisbury et al.	.....	101/328
D378,597 S	*	3/1997	Harden	.....	D18/15
5,826,506 A	*	10/1998	Lin	.....	101/327

\* cited by examiner

*Primary Examiner*—Charles A. Rademaker  
*(74) Attorney, Agent, or Firm*—Robert J Doherty

(57) **CLAIM**

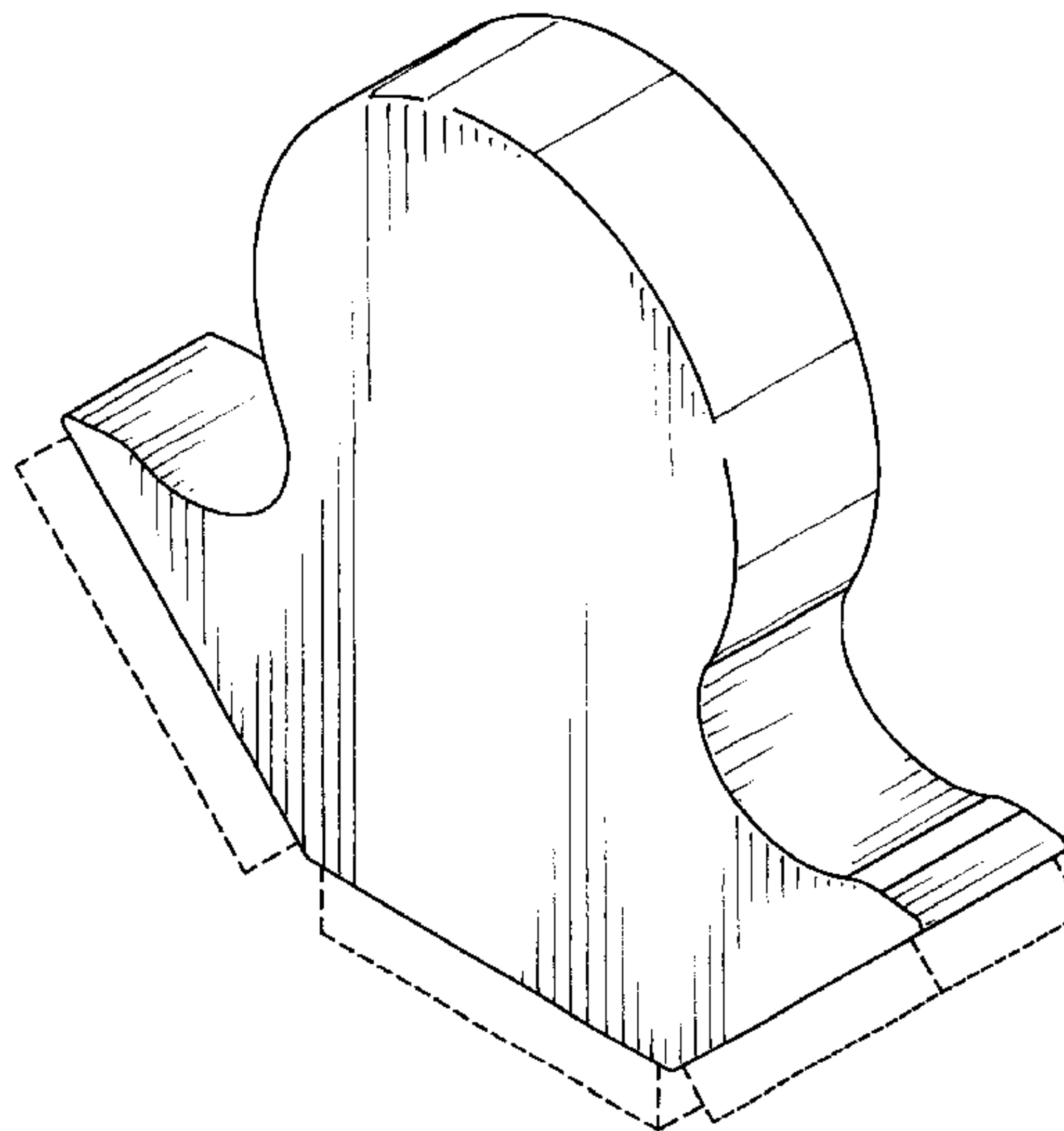
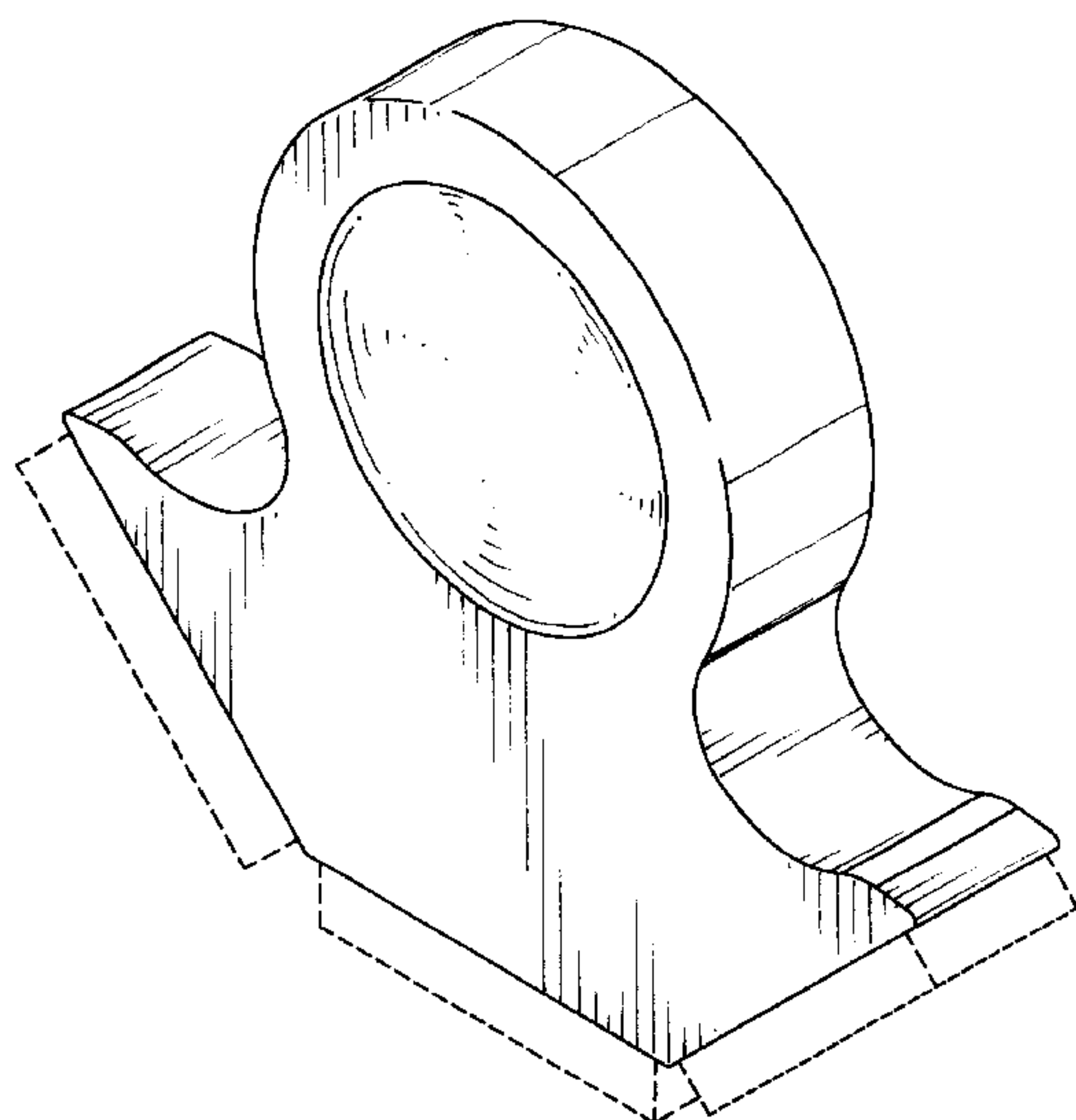
The ornamental design for a multiple face hand printing stamp, as shown and described.

**DESCRIPTION**

FIG. 1 is a front perspective view of a multiple face hand printing stamp showing our new design;  
FIG. 2 is an inverted perspective view of FIG. 1;  
FIG. 3 is a front elevational view of FIG. 1, the rear elevational view being the mirror image thereof;  
FIG. 4 is a sectional view along the line 4—4 of FIG. 3;  
FIG. 5 is a top plan view of FIG. 3;  
FIG. 6 is a bottom plan view of FIG. 3;  
FIG. 7 is a left side elevational view of FIG. 3;  
FIG. 8 is a right side elevational view of FIG. 3;  
FIG. 9 is a front perspective view of a modified form of our invention, the top, bottom, and side elevational view thereof being identical to FIGS. 5—8;  
FIG. 10 is a front elevational view of FIG. 9, the rear elevational view being the mirror image thereof; and,  
FIG. 11 is a cross sectional view along line 11—11 of FIG. 10.

The dotted line representation in FIGS. 1, 2 and 9 are for informational purposes and form no part of the subject design.

**1 Claim, 5 Drawing Sheets**



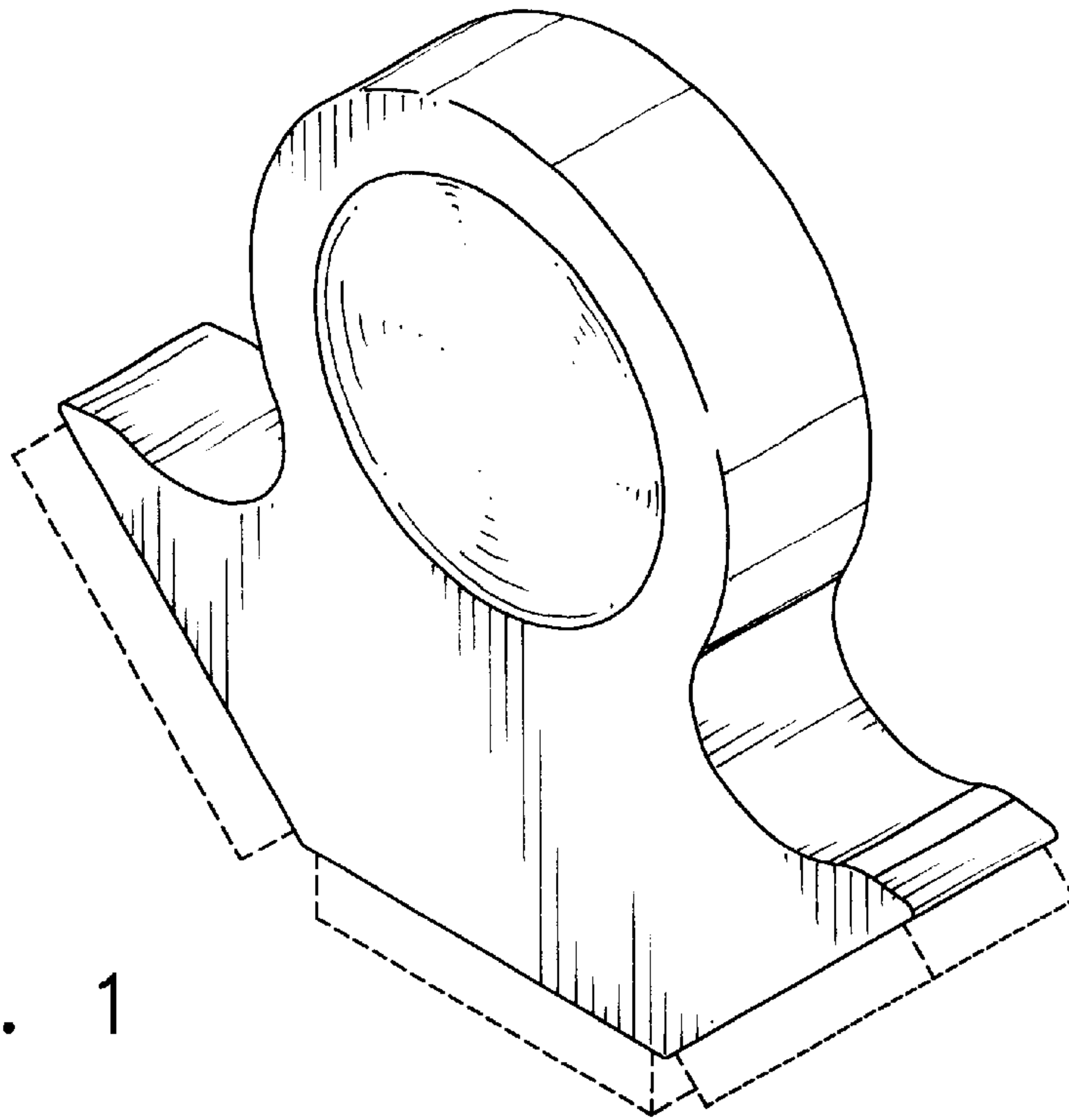


FIG. 1

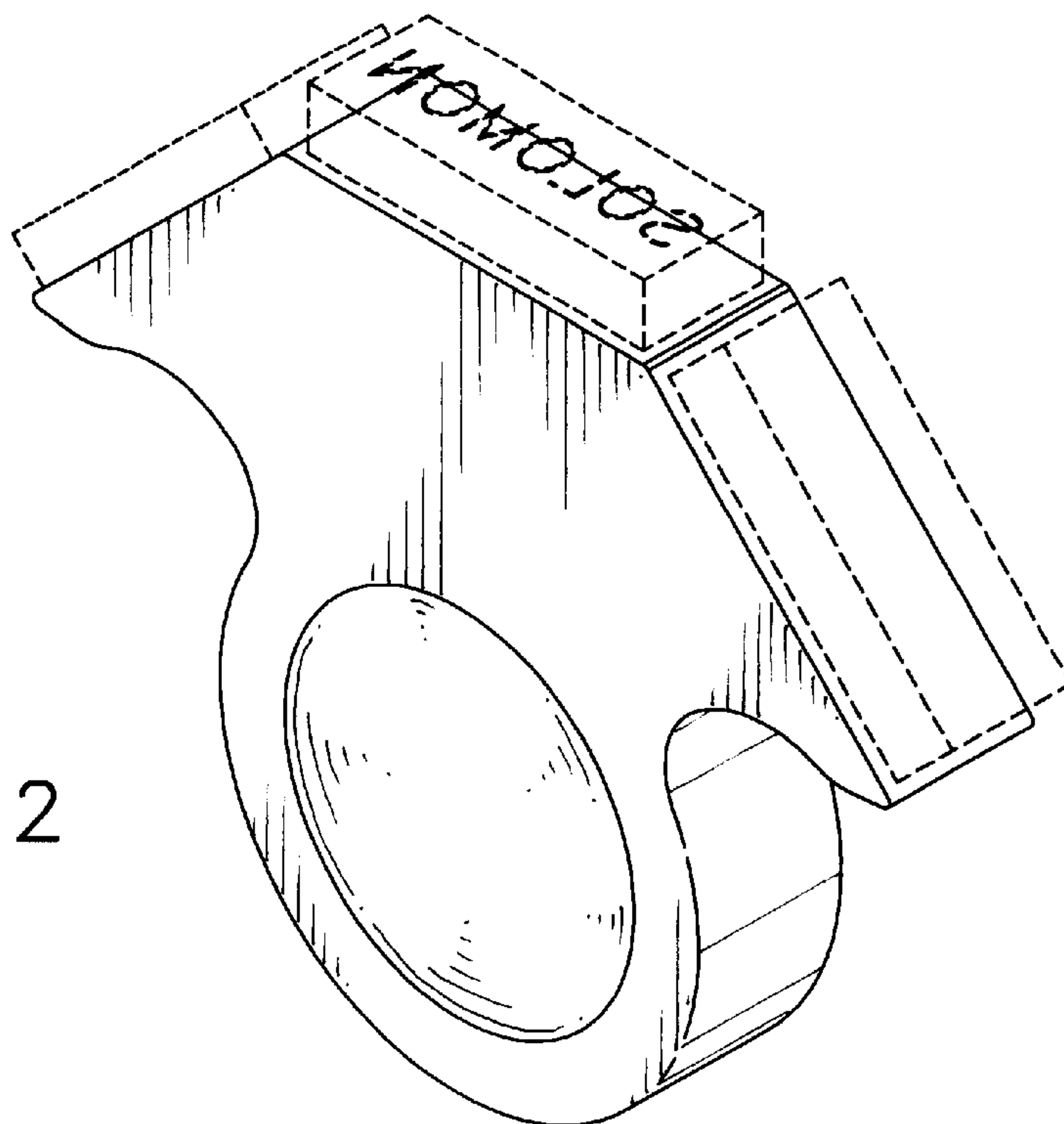


FIG. 2

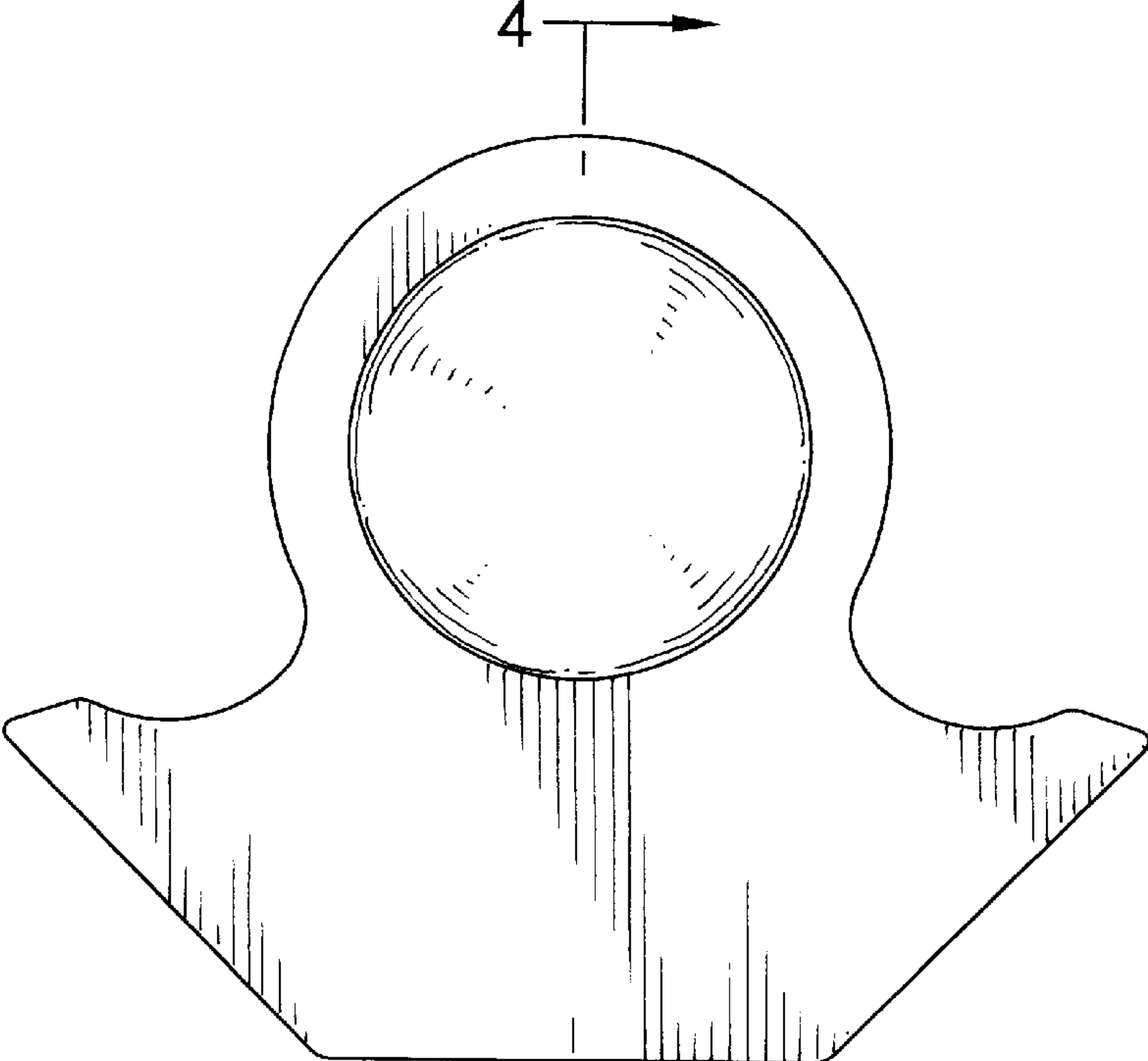


FIG. 3



FIG. 4

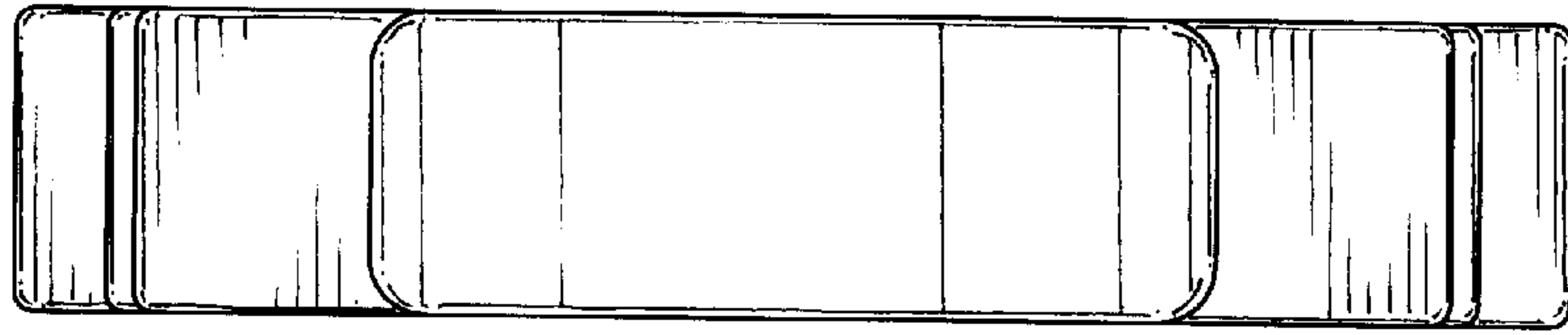


FIG. 5

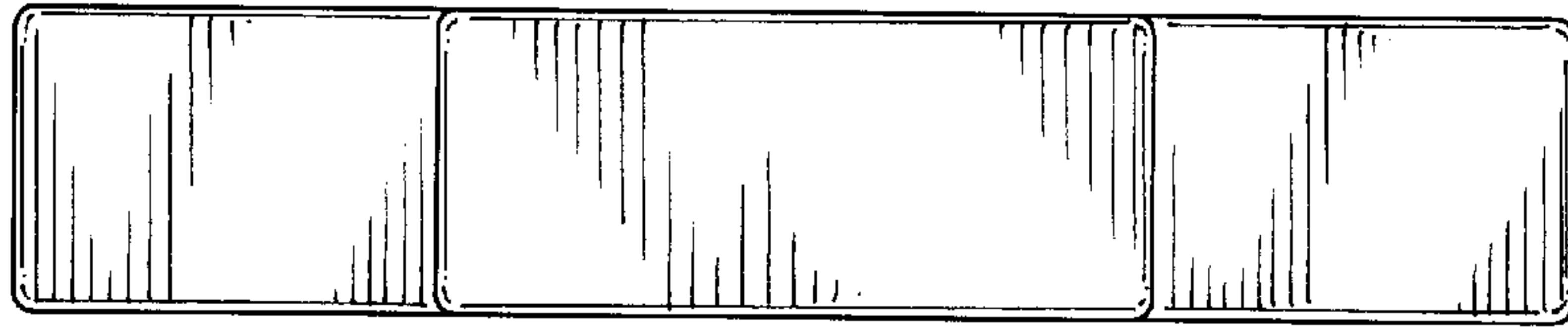


FIG. 6

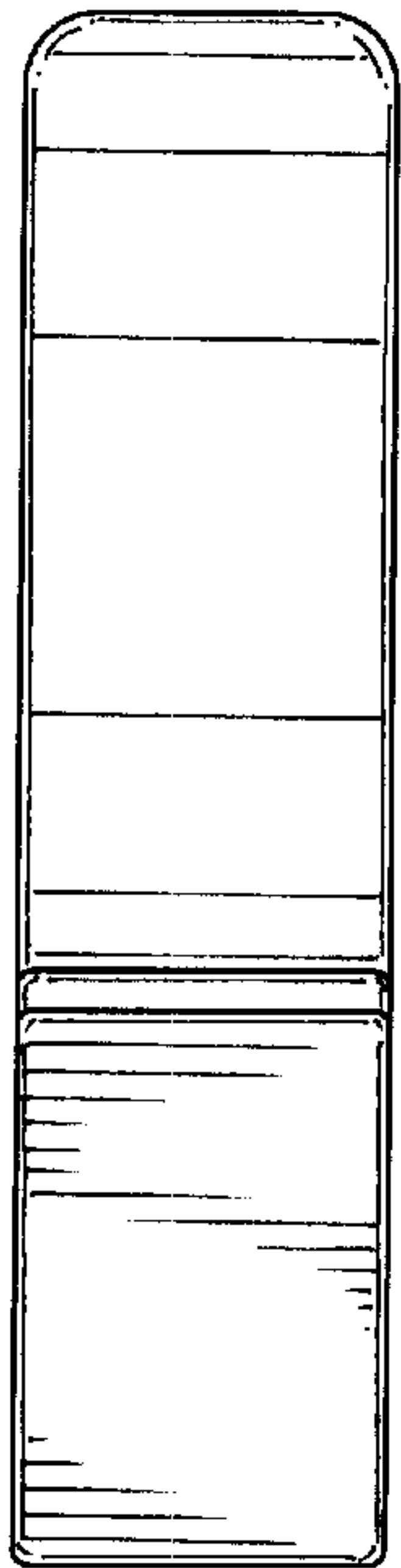


FIG. 7

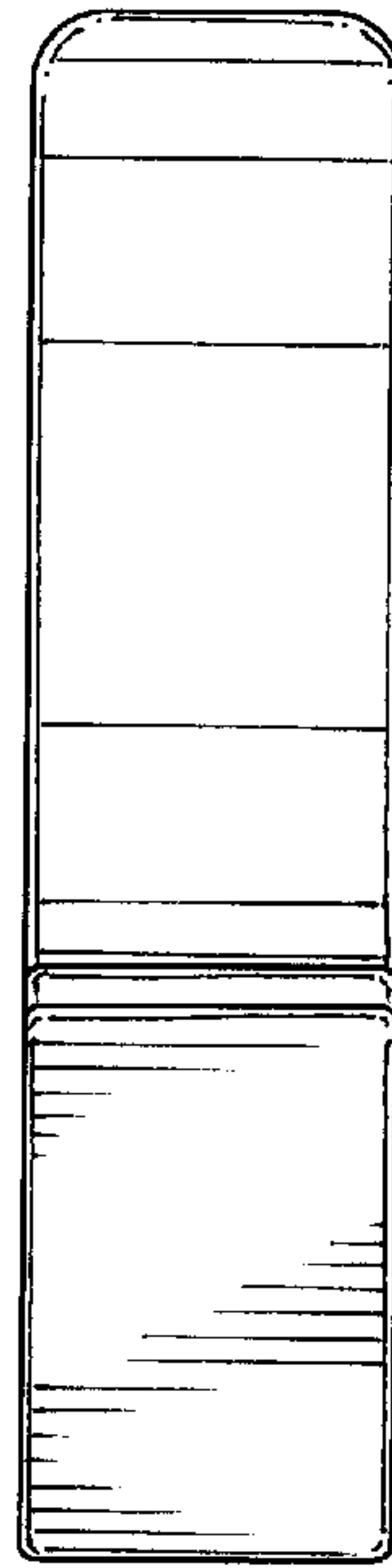


FIG. 8

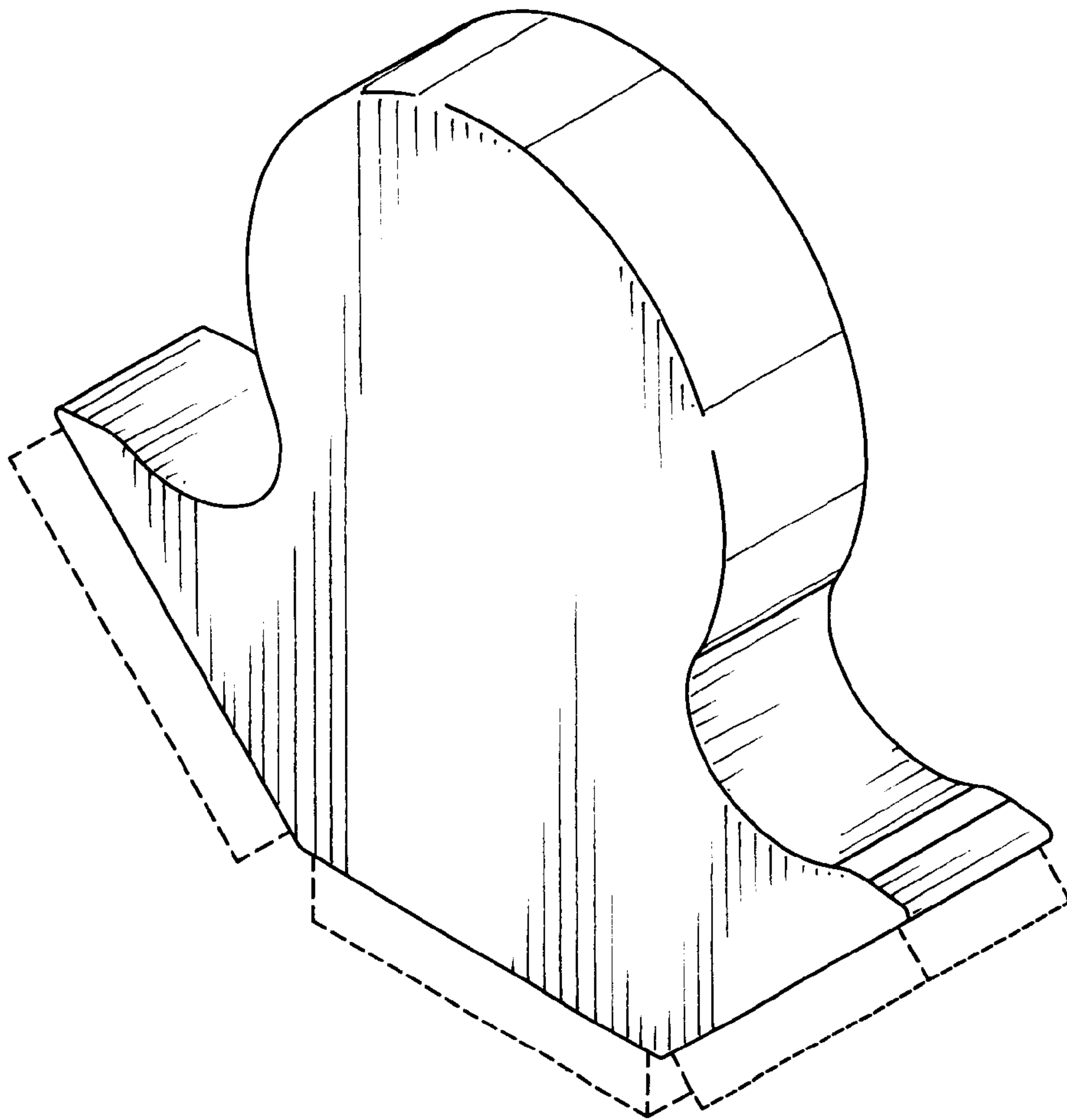


FIG. 9

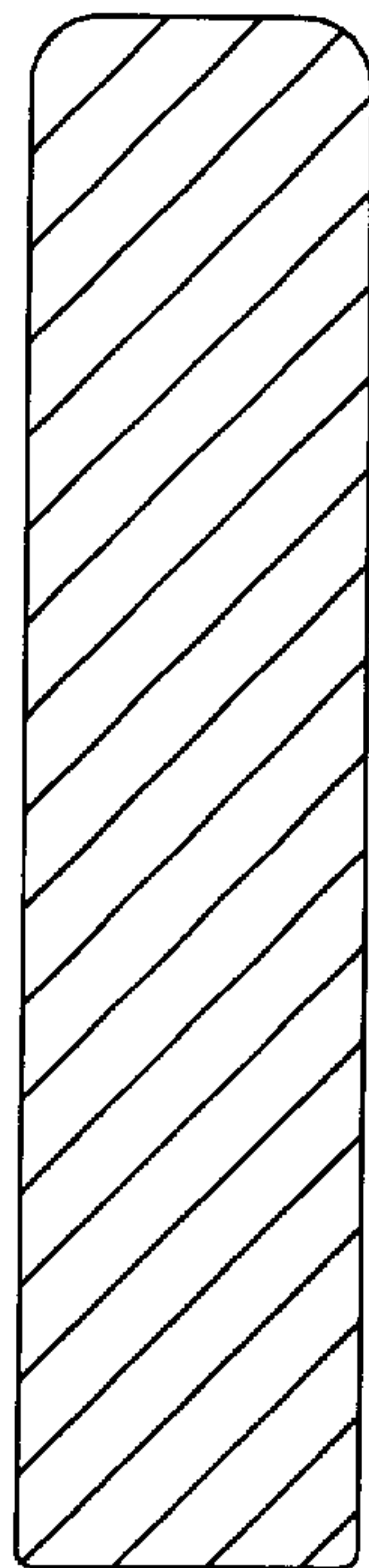
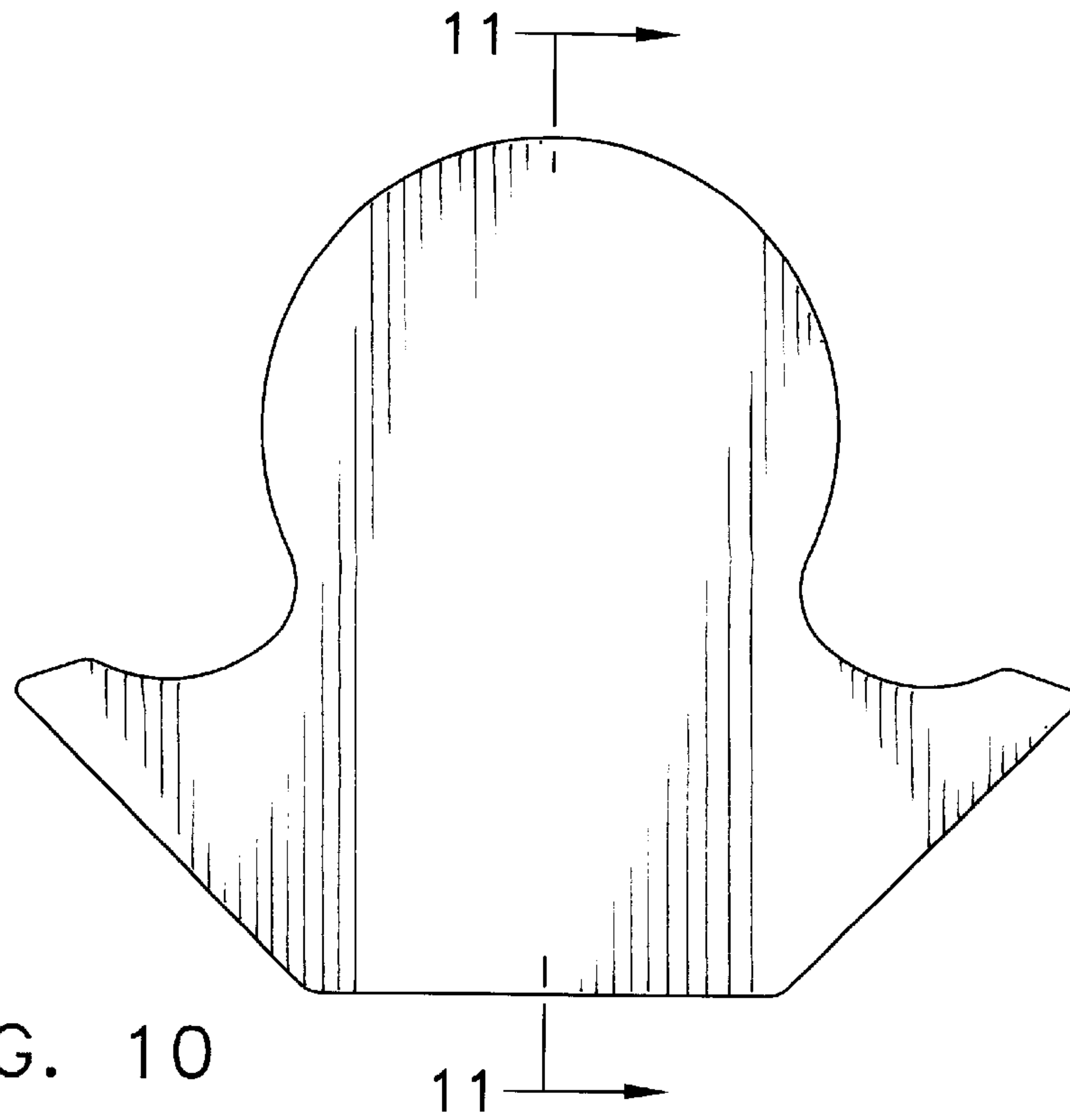


FIG. 11