

US00D508938S

(12) **United States Design Patent**
Murray et al.

(10) **Patent No.:** **US D508,938 S**
(45) **Date of Patent:** **** Aug. 30, 2005**

(54) **TRIPOD**

FOREIGN PATENT DOCUMENTS

(75) Inventors: **Christopher J. Murray**, Baltimore, MD (US); **Aldo Balatti**, Greely (CA); **Robert D. Watters**, Ottawa (CA)

DE	4033630	10/1992
DE	29720919	6/1998
DE	20215235	2/2003
EP	0729053	8/1996
EP	0602131	12/1997
EP	1026476	8/2000
EP	0873222	2/2002
EP	0819911	6/2002
EP	1248137	10/2002
GB	1379078	2/1975
WO	WO 93/22619	11/1993

(73) Assignee: **Black & Decker Inc.**, Newark, DE (US)

(**) Term: **14 Years**

(21) Appl. No.: **29/193,326**

(22) Filed: **Nov. 7, 2003**

(51) **LOC (8) Cl.** **16-05**

(52) **U.S. Cl.** **D16/244**

(58) **Field of Search** D16/242, 244,
D16/245; 248/168, 169, 188.5, 188.6, 188.7;
396/419, 428

* cited by examiner

Primary Examiner—Adir Aronovich

(74) *Attorney, Agent, or Firm*—Harness, Dickey & Pierce, P.L.C.

(57) **CLAIM**

The ornamental design for a tripod, as shown and described.

(56) **References Cited**

U.S. PATENT DOCUMENTS

2,282,285	A	*	5/1942	Olson	248/169
2,633,319	A	*	3/1953	Musial	248/168
D222,118	S	*	9/1971	Nakatani	D16/244
3,921,947	A	*	11/1975	Adam	248/169
4,025,200	A		5/1977	Zeineh		
D299,244	S	*	1/1989	Jones et al.	D16/244
D326,105	S	*	5/1992	Doi	D16/244
5,212,889	A		5/1993	Lysen		
5,539,990	A		7/1996	Le		
5,967,645	A		10/1999	Anderson		
6,539,638	B1		4/2003	Pelletier		
6,546,636	B2		4/2003	Tamamura		

DESCRIPTION

FIG. 1 is a front elevational view of a tripod showing our new design;

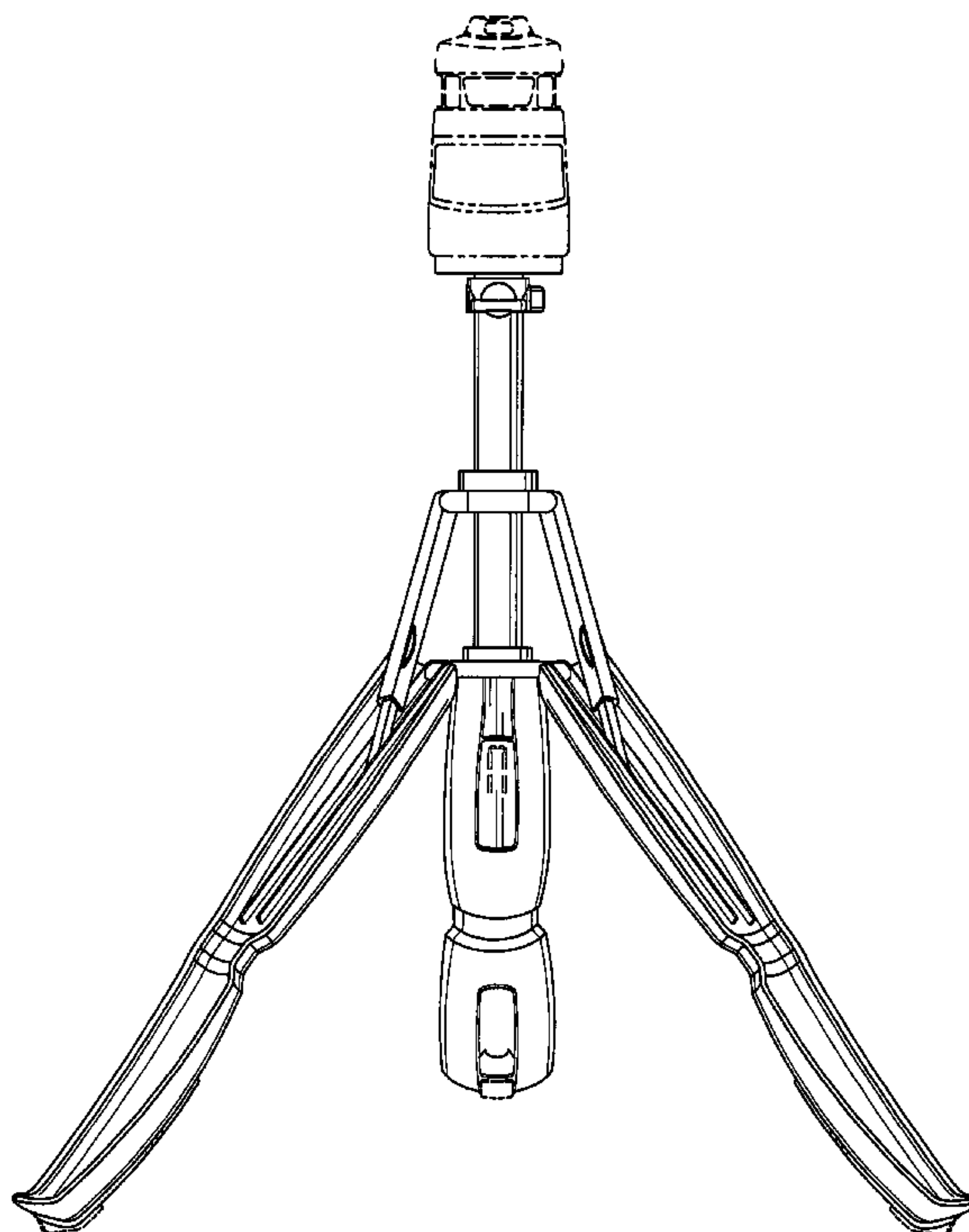
FIG. 2 is an elevational view of the tripod similar to FIG.1 rotated by 120 degrees in a clockwise direction;

FIG. 3 is a top plan view of the tripod; and,

FIG. 4 is a bottom plan view of the tripod.

The portions of the tripod in broken lines are shown for illustrative purposes only and form no part of the claimed design.

1 Claim, 4 Drawing Sheets



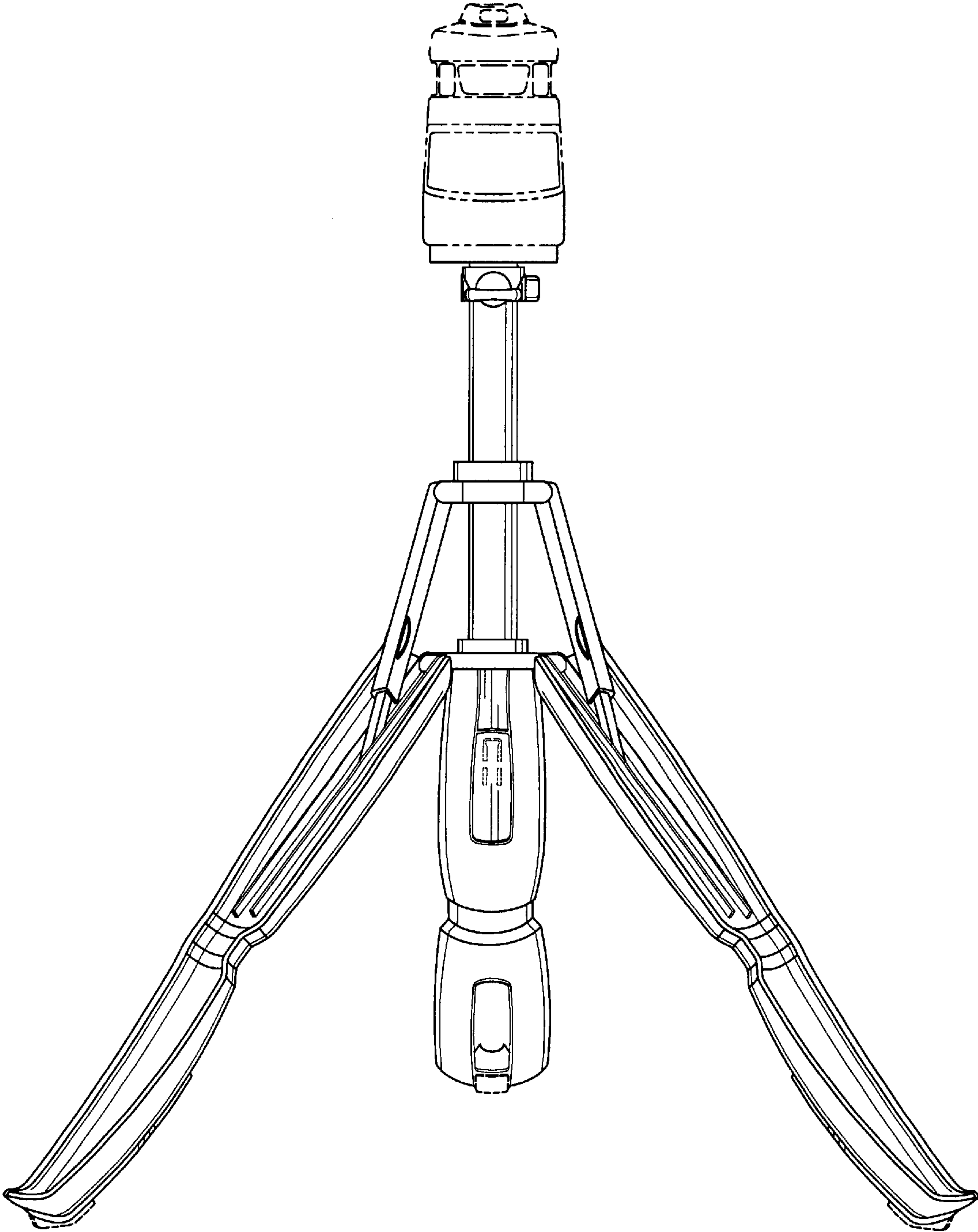


Fig-1

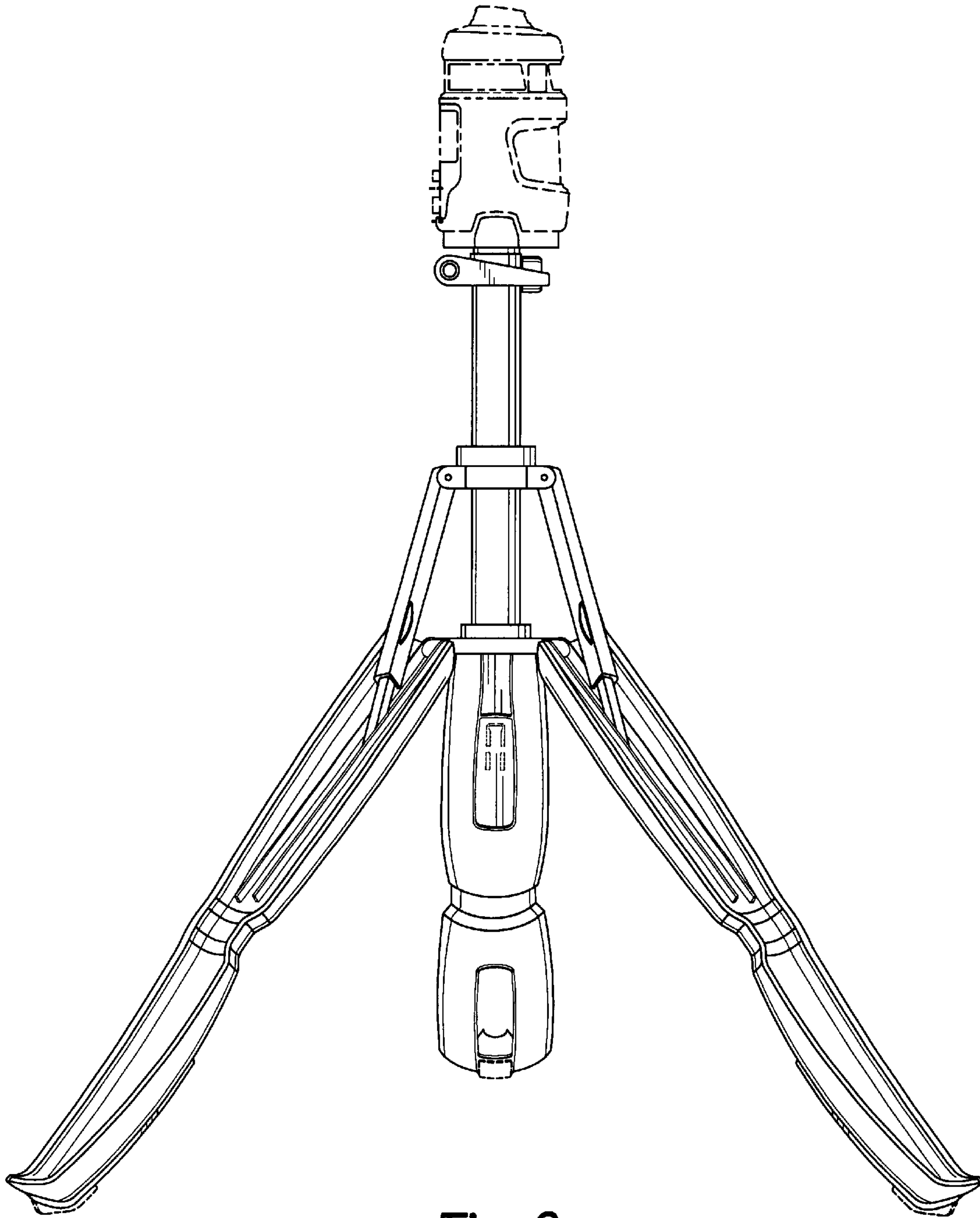


Fig-2

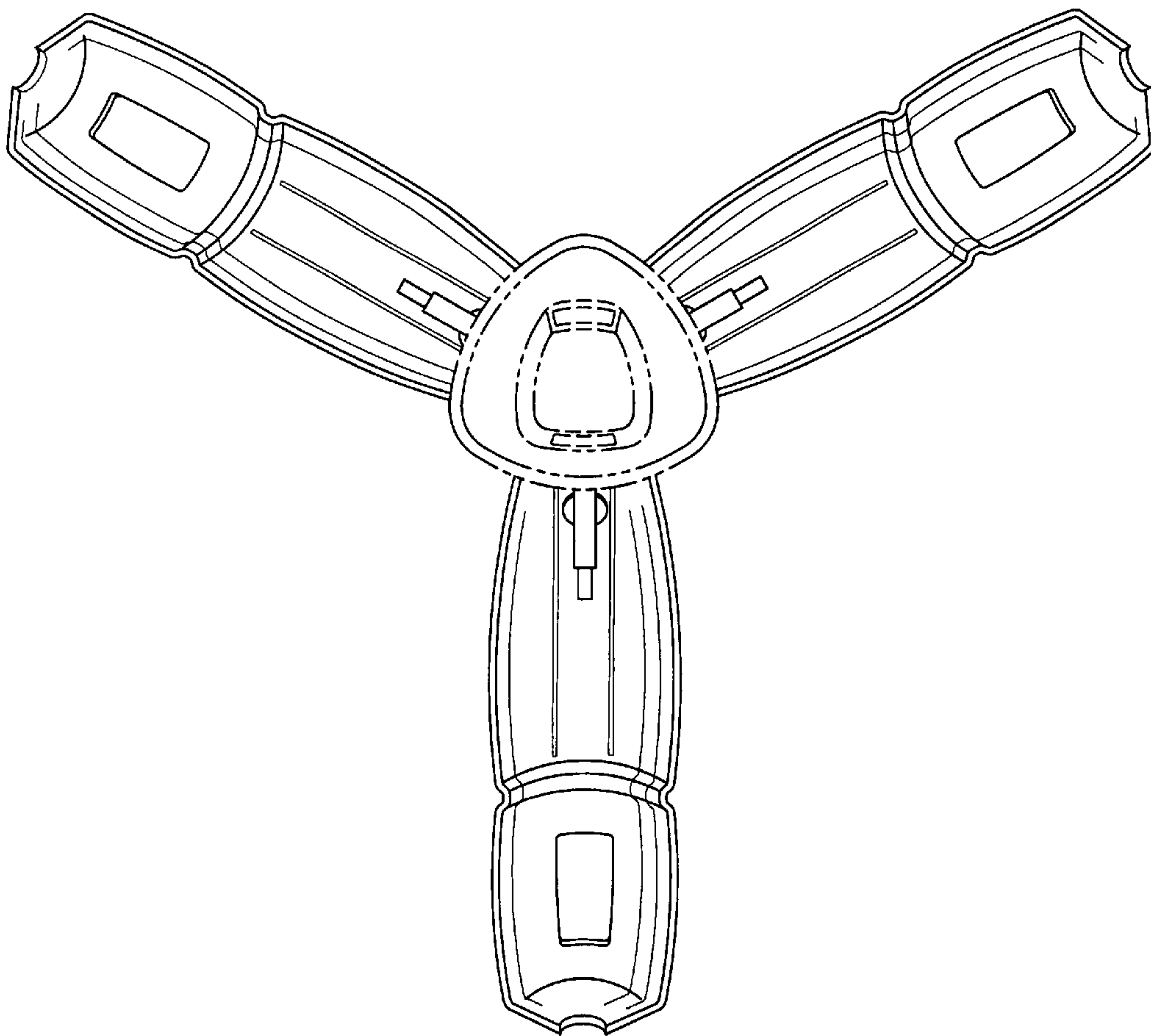


Fig-3

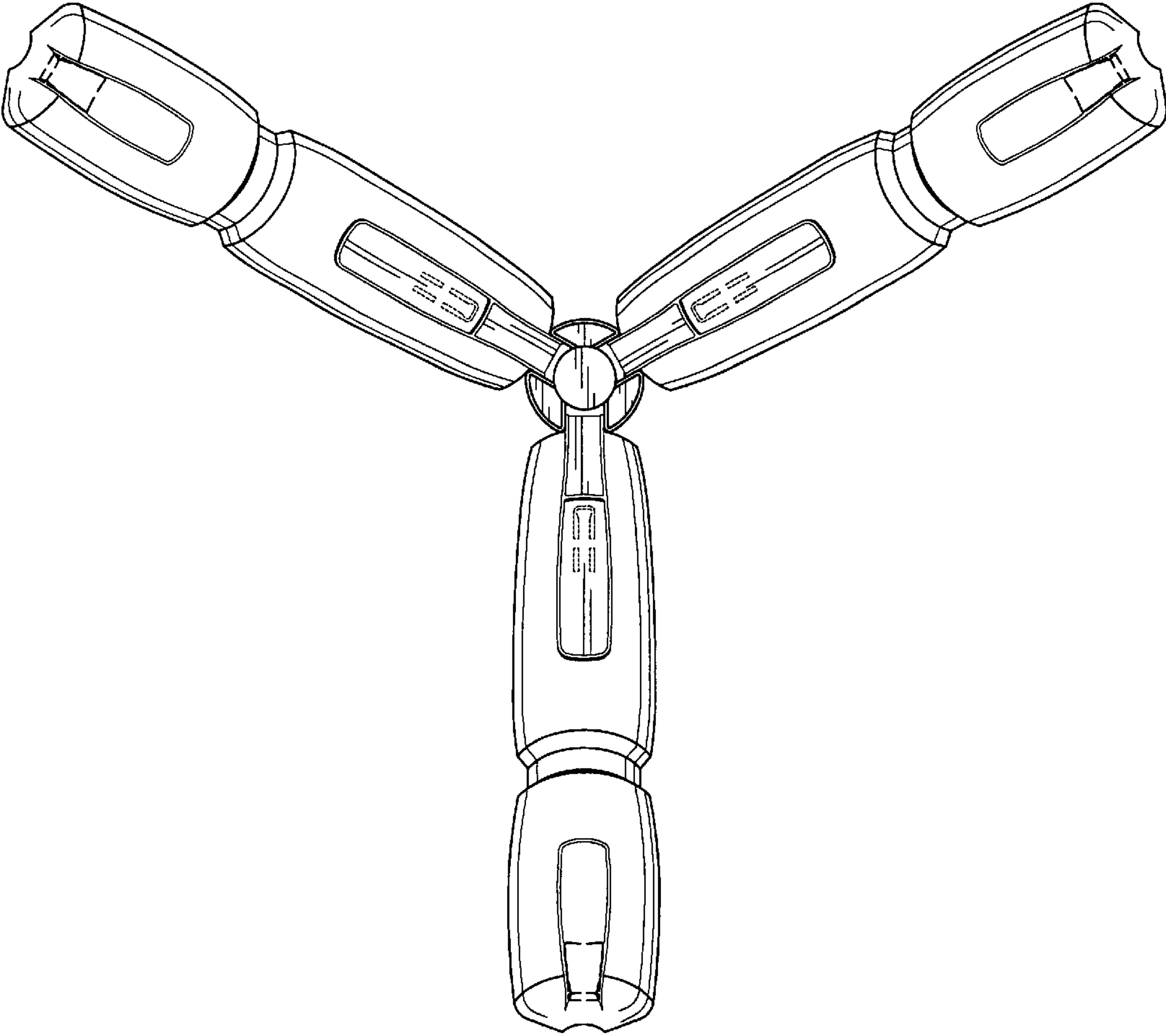


Fig-4