



US00D508937S

(12) **United States Design Patent**  
**Sadatsuki**

(10) **Patent No.:** **US D508,937 S**

(45) **Date of Patent:** **\*\* Aug. 30, 2005**

(54) **CAMERA**

(75) **Inventor:** **Kouichi Sadatsuki, Tokyo (JP)**

(73) **Assignee:** **Sony Corporation, Tokyo (JP)**

(\*\*) **Term:** **14 Years**

(21) **Appl. No.:** **29/209,173**

(22) **Filed:** **Jul. 13, 2004**

(51) **LOC (8) Cl.** ..... **16-01**

(52) **U.S. Cl.** ..... **D16/218; D16/202**

(58) **Field of Search** ..... **D16/200-205,**  
**D16/208, 209, 218, 219; 348/373-376;**  
**358/909.1; 396/535-541**

(56) **References Cited**

**U.S. PATENT DOCUMENTS**

- D349,110 S \* 7/1994 Ohno ..... D16/202
- D391,590 S 3/1998 Sumita
- D410,663 S \* 6/1999 Ogasawara ..... D16/202
- 6,122,003 A \* 9/2000 Anderson ..... 348/207.99

- D432,149 S 10/2000 Sumita
- 6,445,417 B1 \* 9/2002 Yoshida et al. .... 348/374
- D476,023 S 6/2003 Sumita
- D496,953 S \* 10/2004 Wu et al. .... D16/202

\* cited by examiner

*Primary Examiner*—Adir Aronovich

(74) *Attorney, Agent, or Firm*—Rader, Fishman & Grauer PLLC

(57) **CLAIM**

The ornamental design for a camera, as shown.

**DESCRIPTION**

FIG. 1 is a perspective view of a camera showing my new design;

FIG. 2 is a front elevational view thereof;

FIG. 3 is a rear elevational view thereof;

FIG. 4 is a left side elevational view thereof;

FIG. 5 is a right side elevational view thereof;

FIG. 6 is a top plan view thereof; and,

FIG. 7 is a bottom plan view thereof.

**1 Claim, 4 Drawing Sheets**

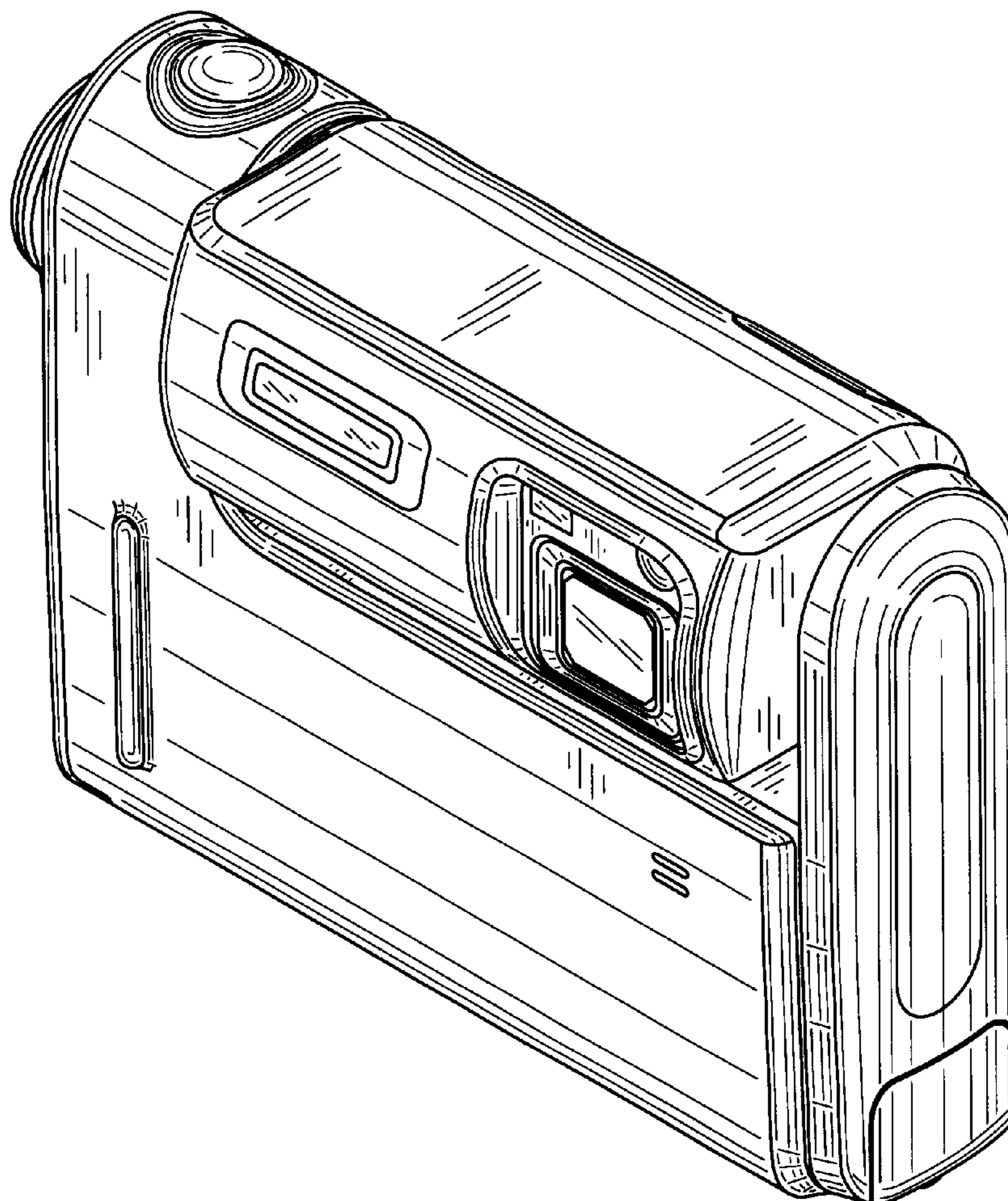


Fig. 1

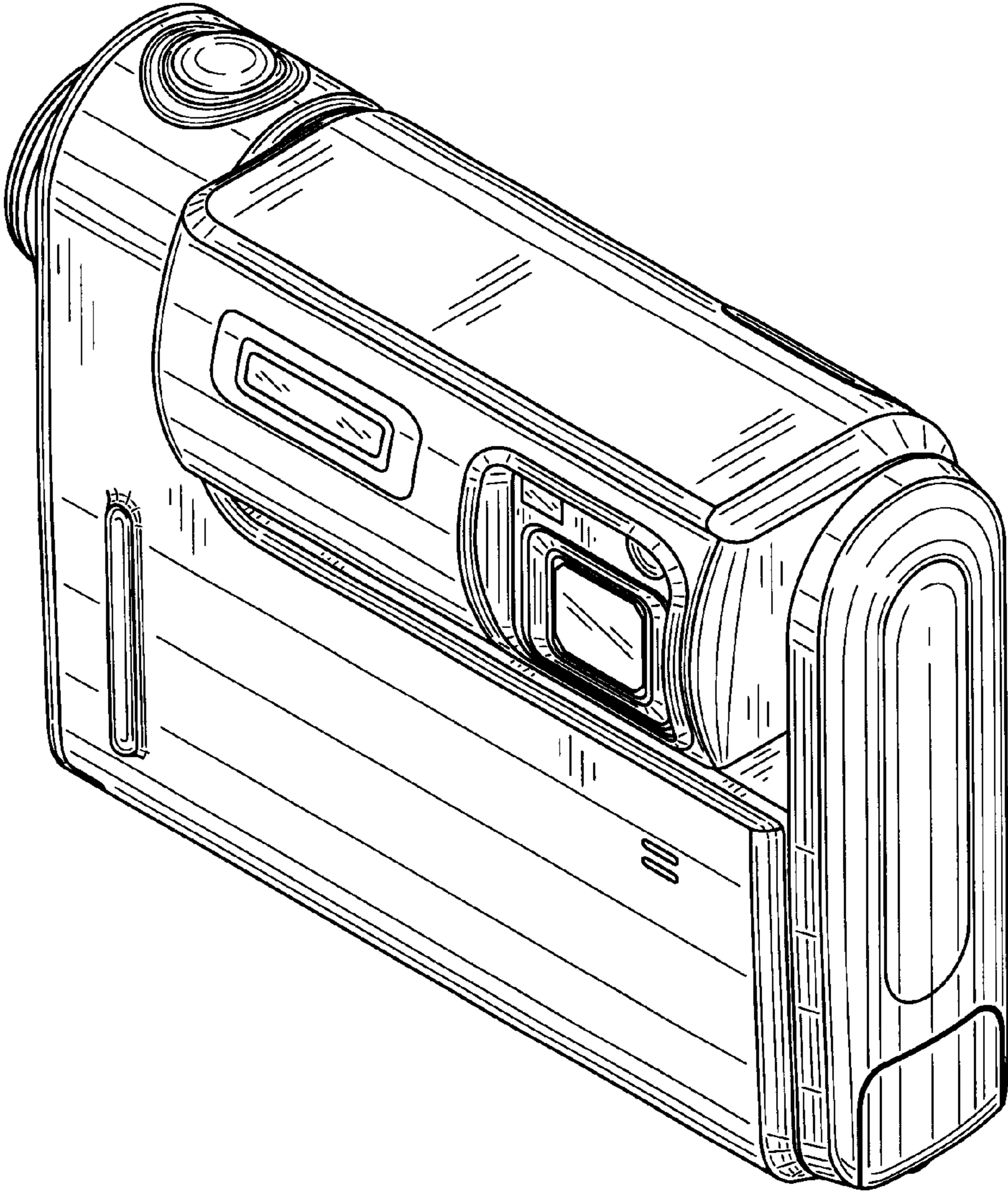


Fig.2

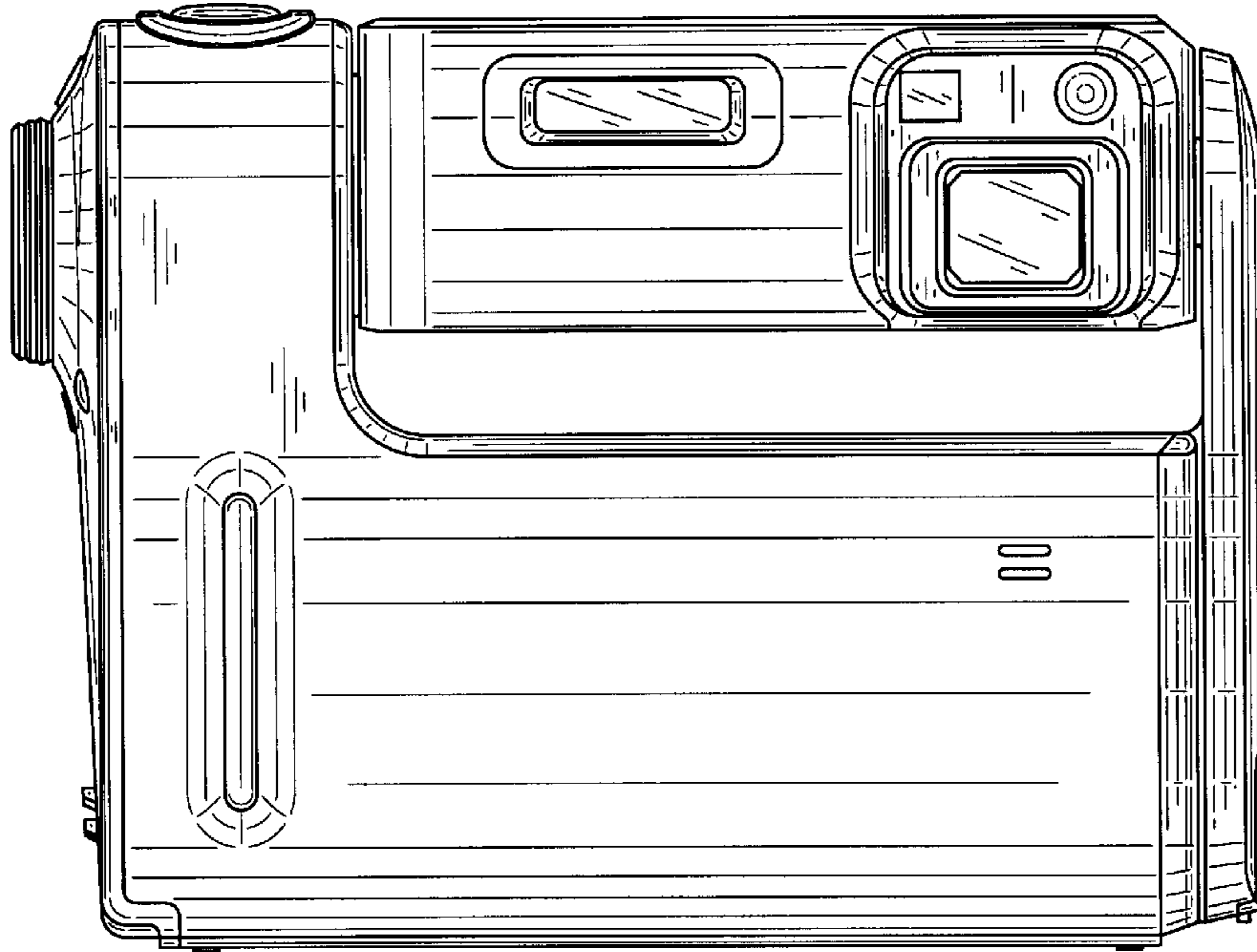


Fig.3

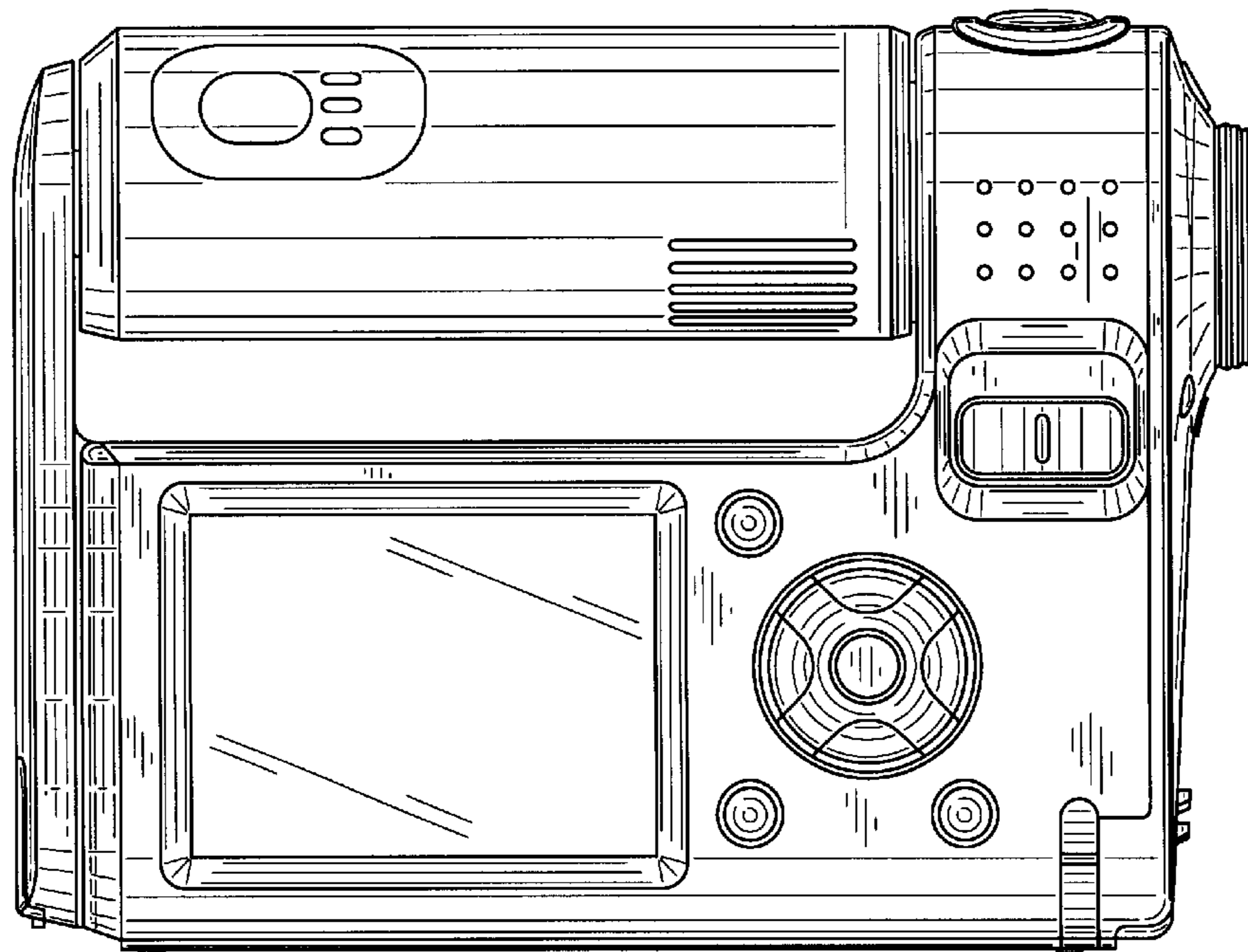


Fig.4

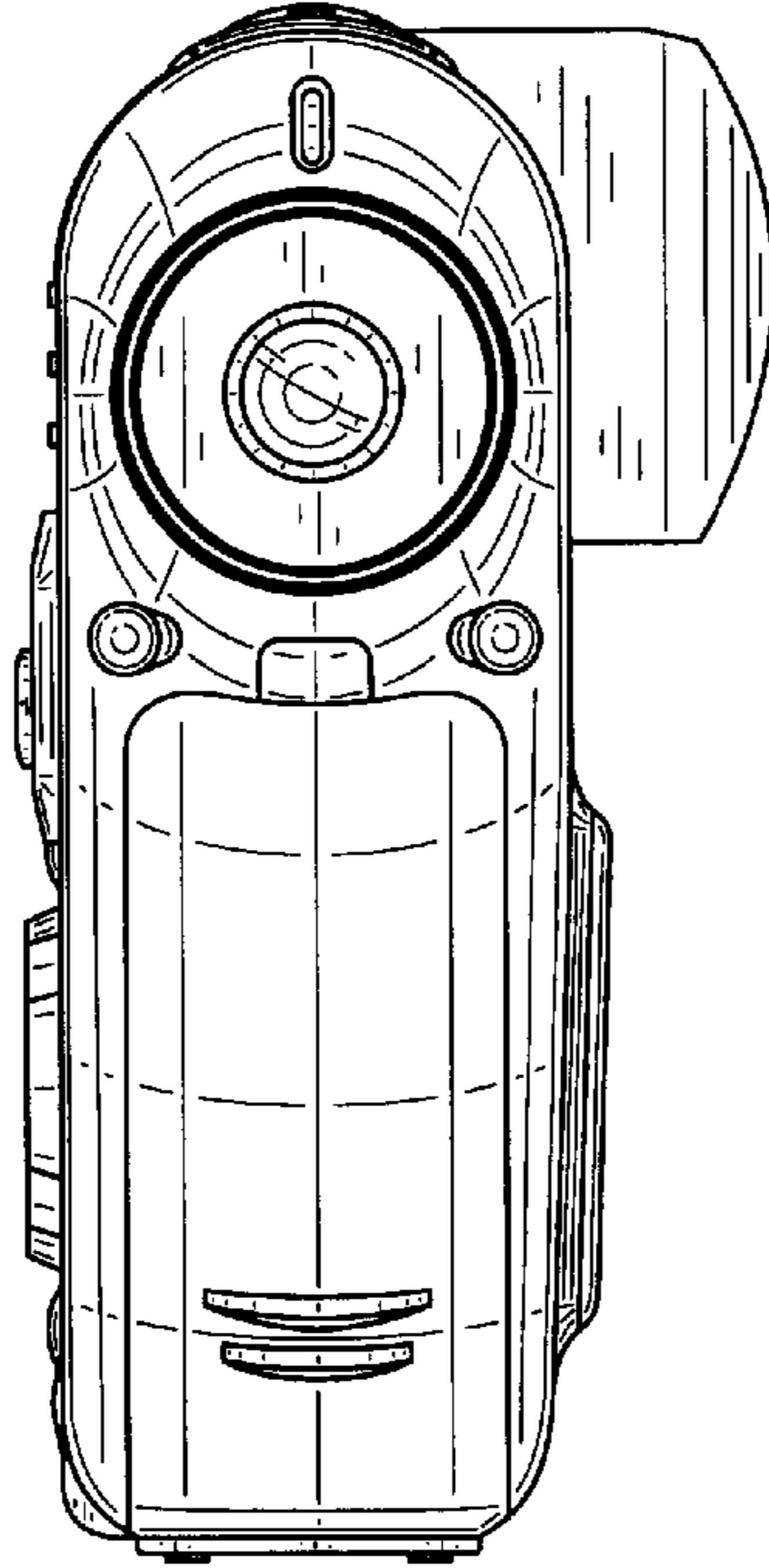


Fig.5

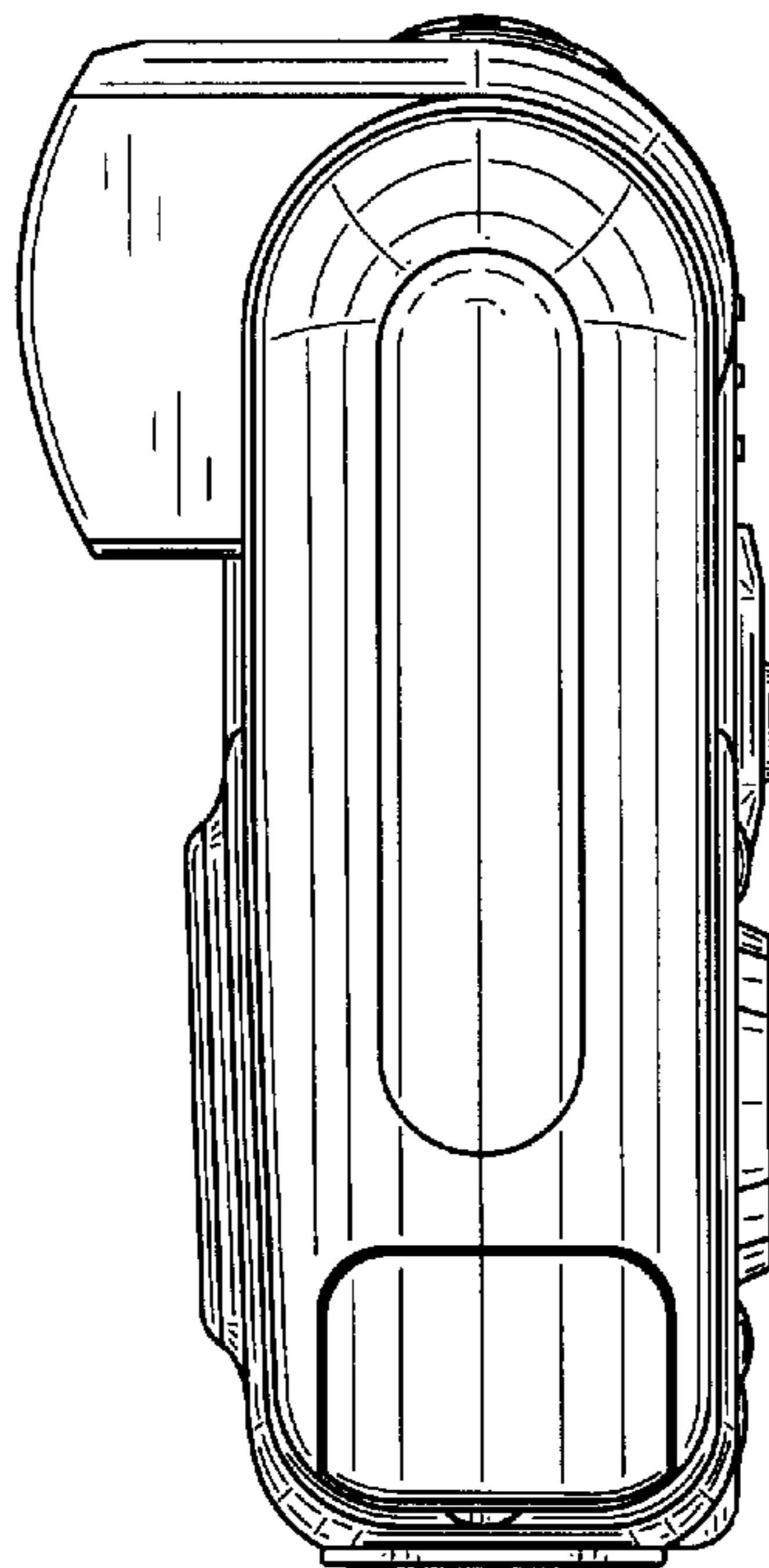


Fig.6

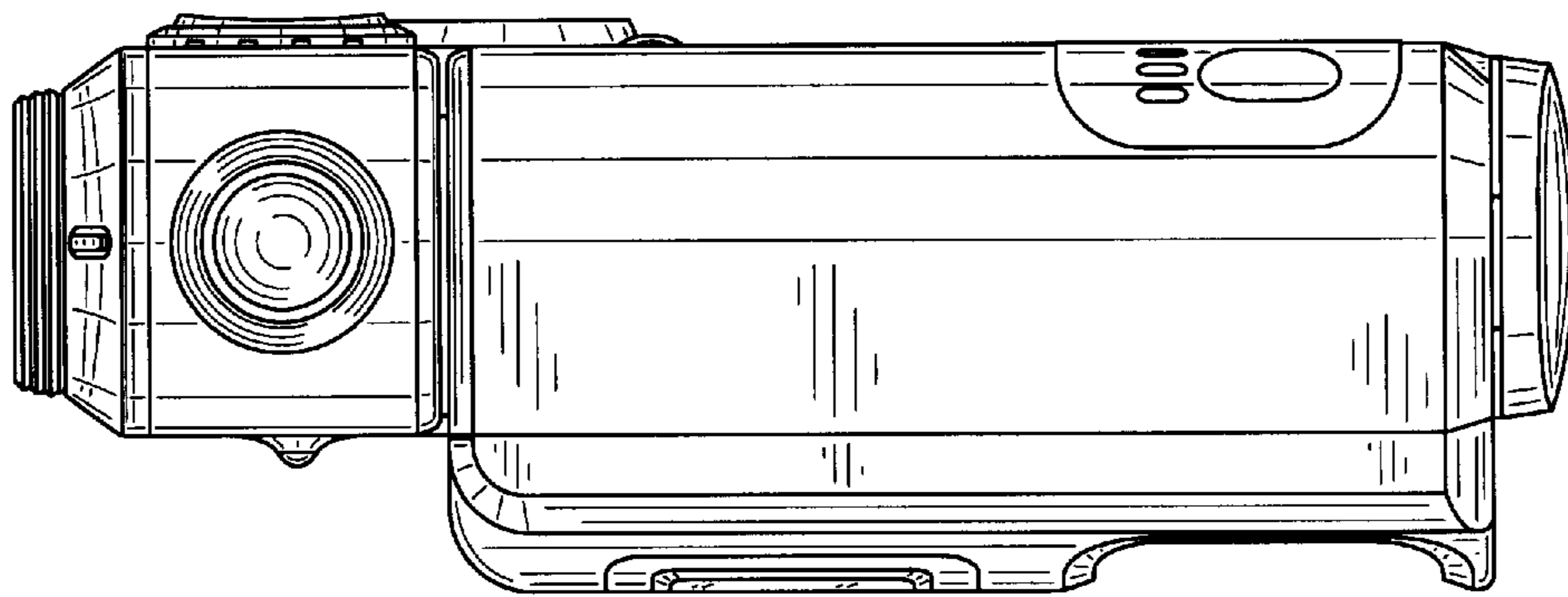


Fig.7

