



US00D508936S

(12) **United States Design Patent** (10) **Patent No.:** **US D508,936 S**
Naito (45) **Date of Patent:** **** Aug. 30, 2005**

(54) **CAMERA**

(75) Inventor: **Takahiro Naito**, Tokyo (JP)
(73) Assignee: **Sony Corporation**, Tokyo (JP)
(**) Term: **14 Years**

(21) Appl. No.: **29/205,988**
(22) Filed: **May 25, 2004**

(51) **LOC (8) Cl.** **16-01**
(52) **U.S. Cl.** **D16/218**
(58) **Field of Search** **D16/200-206,**
D16/208, 209; 396/6, 7, 25, 26-29, 535-543

(56) **References Cited**

U.S. PATENT DOCUMENTS

D450,074 S	11/2001	Miyashita	
D458,951 S	* 6/2002	Sato D16/218
D476,675 S	* 7/2003	Tran et al. D16/218
6,628,901 B2	* 9/2003	Naka 396/543
D487,103 S	* 2/2004	Chin D16/202
D488,496 S	* 4/2004	Katayama D16/218
D488,497 S	4/2004	Suzuki	

FOREIGN PATENT DOCUMENTS

JP D1130606 S 1/2002

OTHER PUBLICATIONS

Web page "EX-S20" <http://www.yodobashi.com/enjoy/more/i/14286270.html> 2 sheets, Yodobashi Camera (Mar. 2004).

* cited by examiner

Primary Examiner—Adir Aronovich
(74) *Attorney, Agent, or Firm*—Rader, Fishman & Grauer PLLC

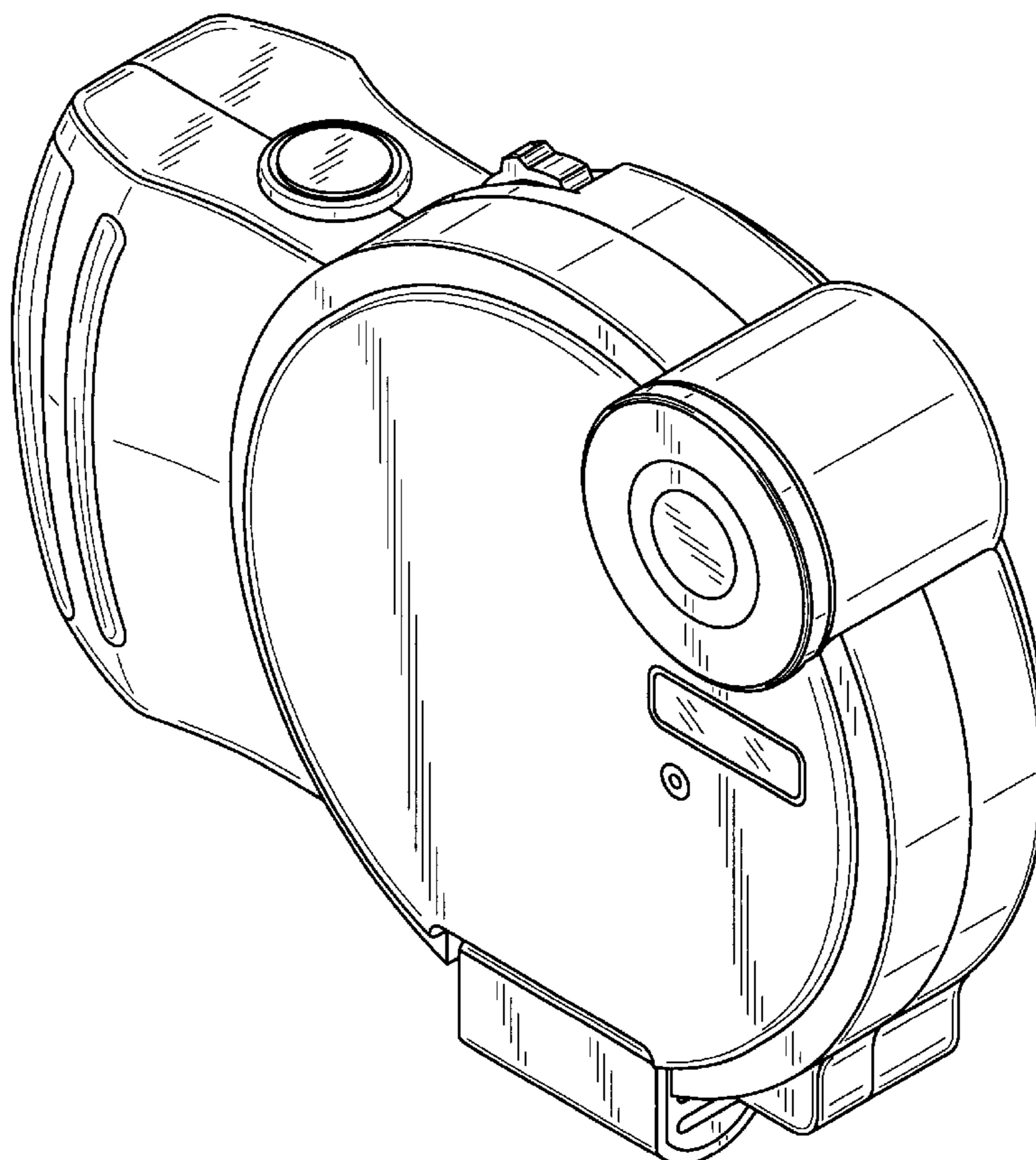
(57) **CLAIM**

The ornamental design for a camera, as shown.

DESCRIPTION

FIG. 1 is a perspective view of a camera showing my new design;
FIG. 2 is a front elevational view thereof;
FIG. 3 is a rear elevational view thereof;
FIG. 4 is a left side elevational view thereof;
FIG. 5 is a right side elevational view thereof;
FIG. 6 is a top plan view thereof; and,
FIG. 7 is a bottom plan view thereof.

1 Claim, 4 Drawing Sheets



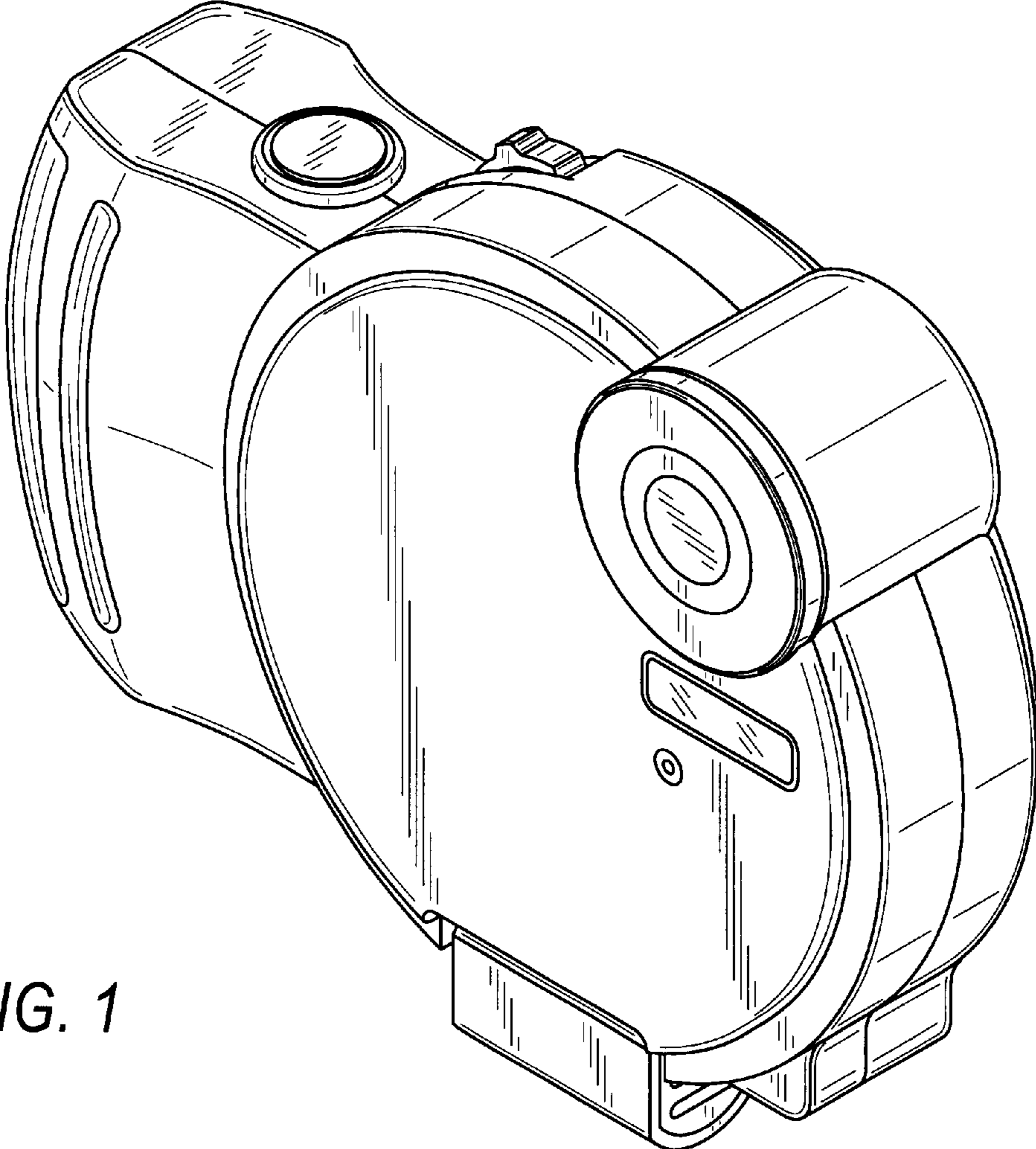
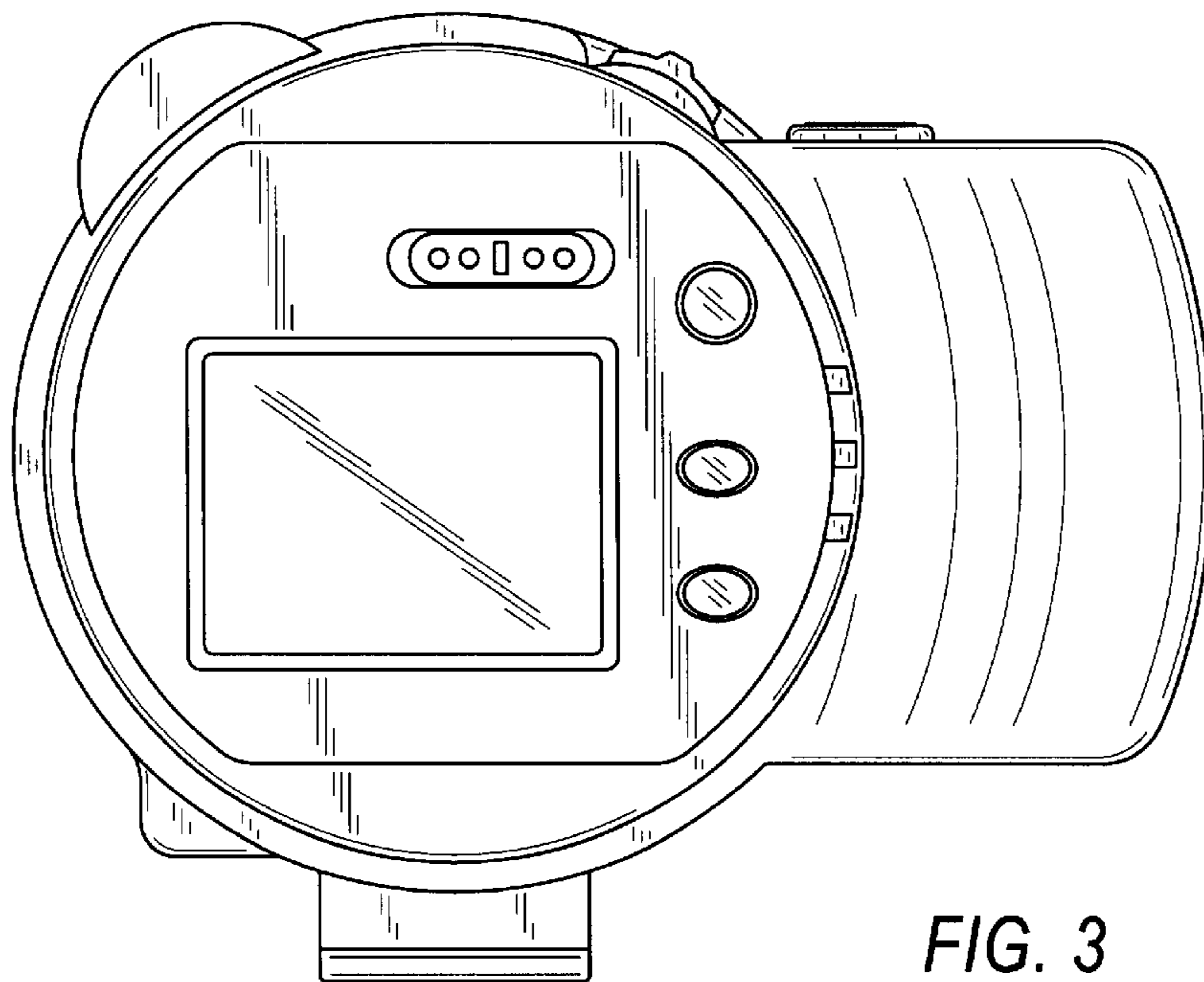
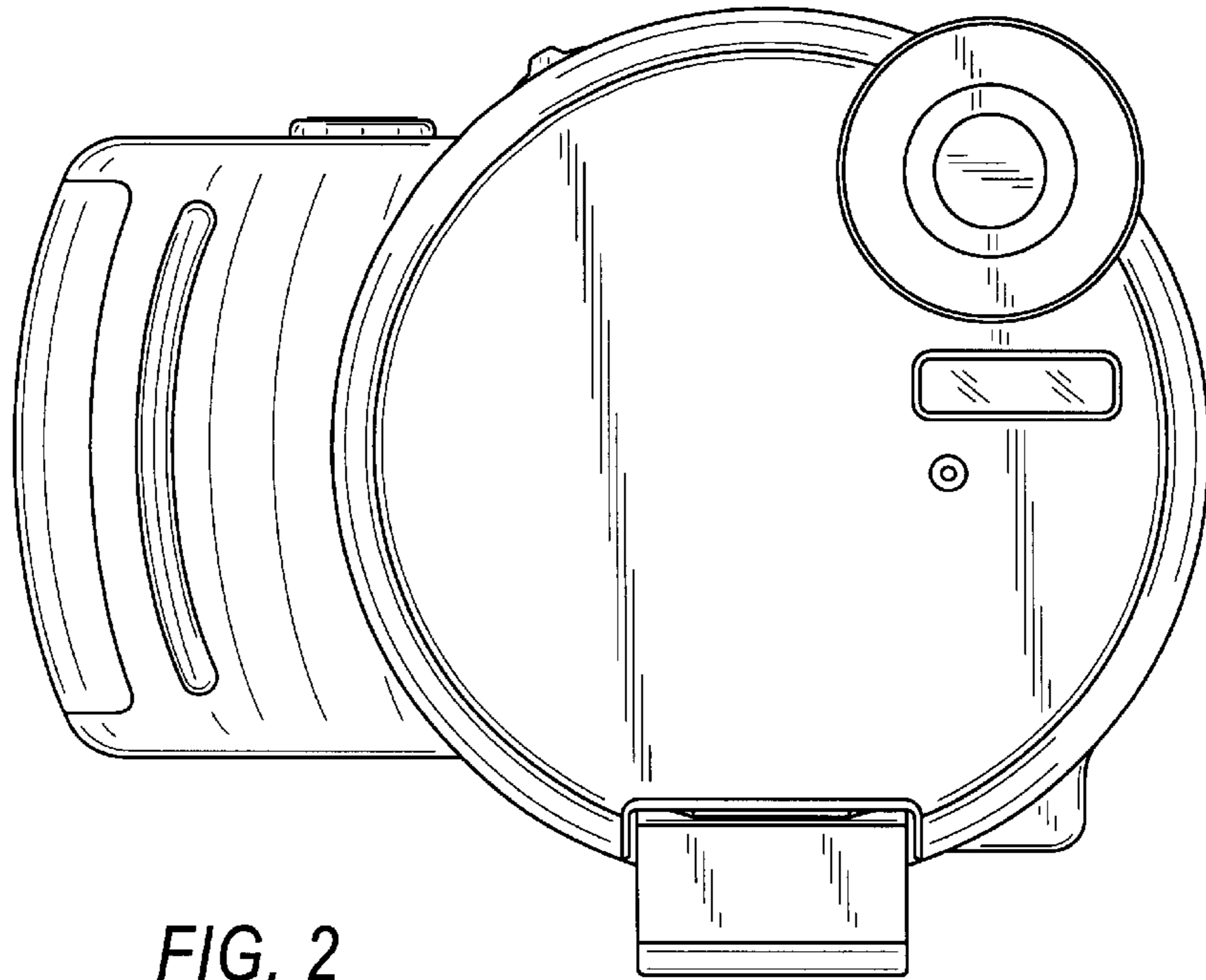


FIG. 1



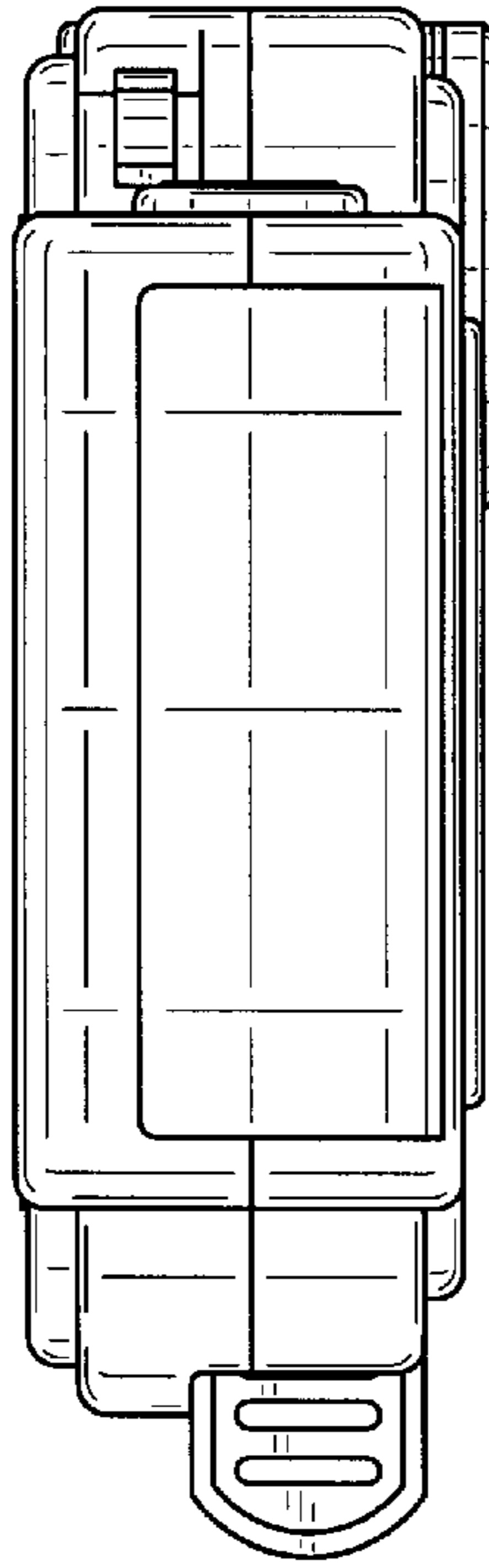


FIG. 4

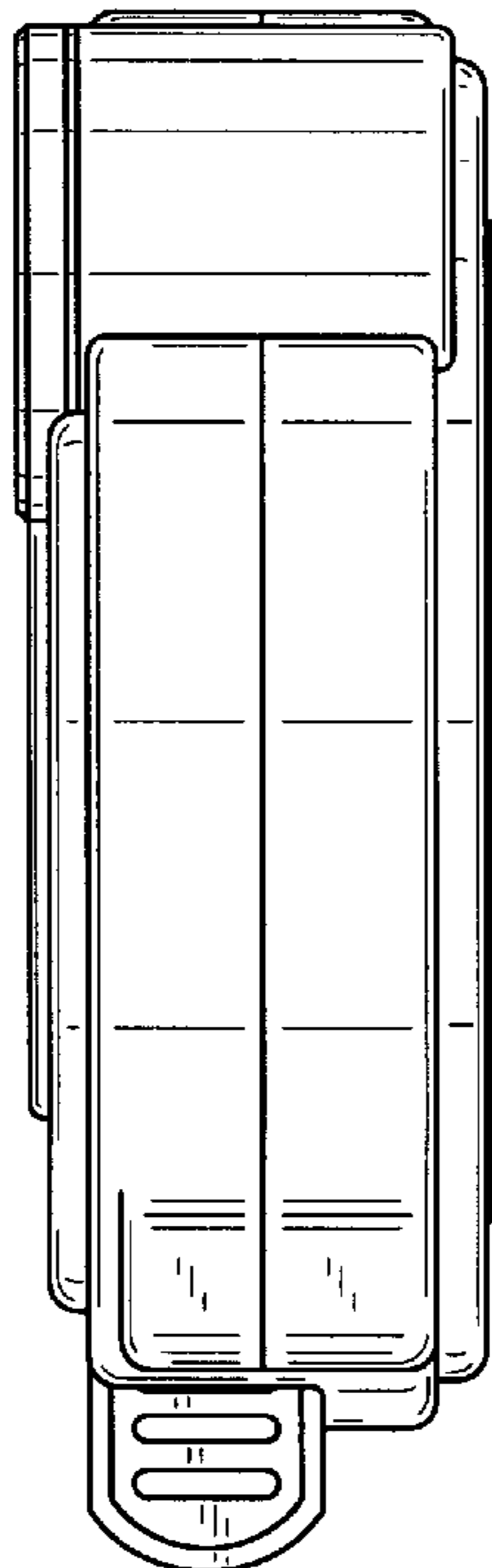


FIG. 5

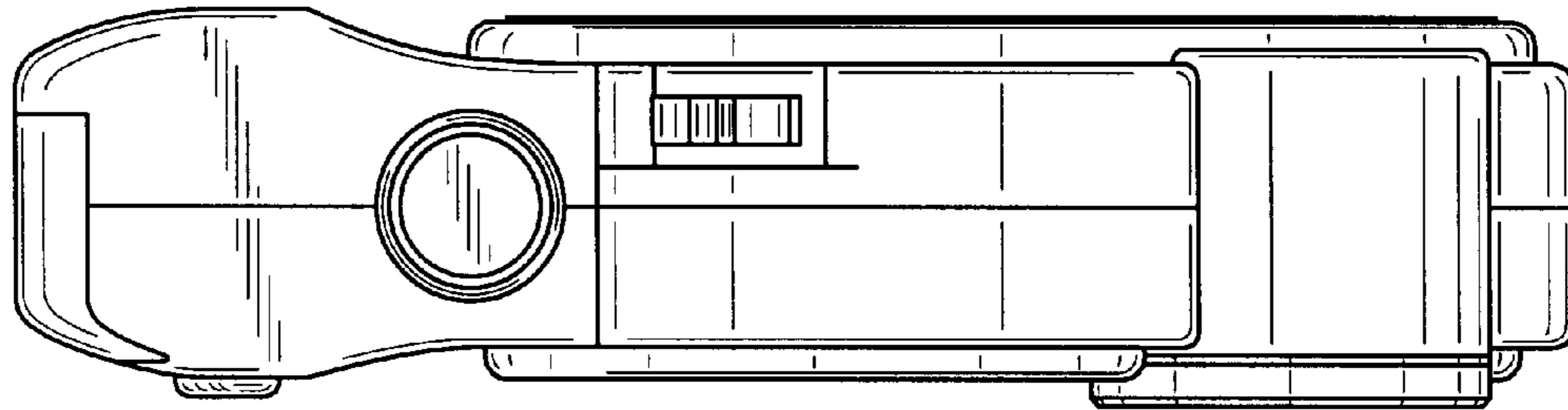


FIG. 6

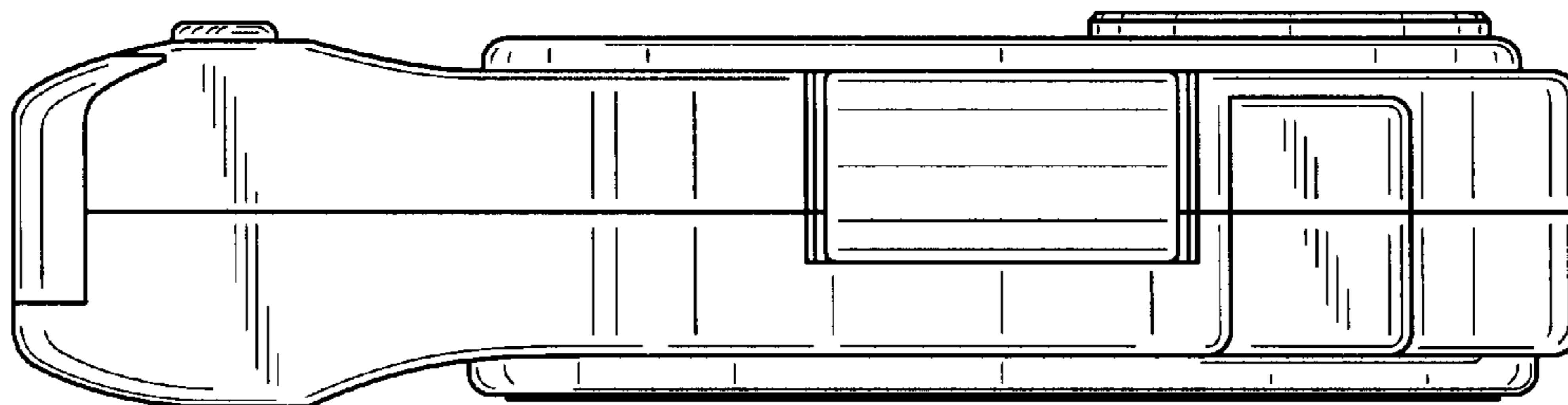


FIG. 7