



US00D508935S

(12) **United States Design Patent**  
**Meguro**

(10) **Patent No.:** **US D508,935 S**

(45) **Date of Patent:** **\*\* Aug. 30, 2005**

(54) **CAMERA**

(75) **Inventor:** **Chikayoshi Meguro**, Hachioji (JP)

(73) **Assignee:** **Olympus Corporation**, Tokyo (JP)

(\*\*) **Term:** **14 Years**

(21) **Appl. No.:** **29/194,744**

(22) **Filed:** **Nov. 24, 2003**

(30) **Foreign Application Priority Data**

Sep. 25, 2003 (JP) ..... 2003-027947

(51) **LOC (8) Cl.** ..... **16-01**

(52) **U.S. Cl.** ..... **D16/212; D16/218**

(58) **Field of Search** ..... **D16/200–204,**  
**D16/208, 211, 212, 218; 348/373–374;**  
**396/349, 448, 535–541**

(56) **References Cited**

**U.S. PATENT DOCUMENTS**

D323,336 S	*	1/1992	Moro et al.	.....	D16/212
5,508,769 A	*	4/1996	Inoue et al.	.....	396/349
6,151,455 A	*	11/2000	Mikami et al.	.....	396/448
D483,786 S	*	12/2003	Urushihata	.....	D16/212
D491,591 S	*	6/2004	Naito	.....	D16/202

**OTHER PUBLICATIONS**

Website showing a digital camera ( $\mu$ —II ZOOM VF) published Feb., 1999.

\* cited by examiner

*Primary Examiner*—Adir Aronovich

(74) *Attorney, Agent, or Firm*—Hogan & Hartson LLP

(57) **CLAIM**

The ornamental design for a camera, as shown and described.

**DESCRIPTION**

FIG. 1 is a perspective view of a camera, showing my new design;

FIG. 2 is a perspective view thereof showing a barrier in an opened state;

FIG. 3 is a top plan view of FIG. 1;

FIG. 4 is a front elevational view thereof;

FIG. 5 is a bottom plan view thereof;

FIG. 6 is a left side elevational view thereof;

FIG. 7 is a right side elevational view thereof;

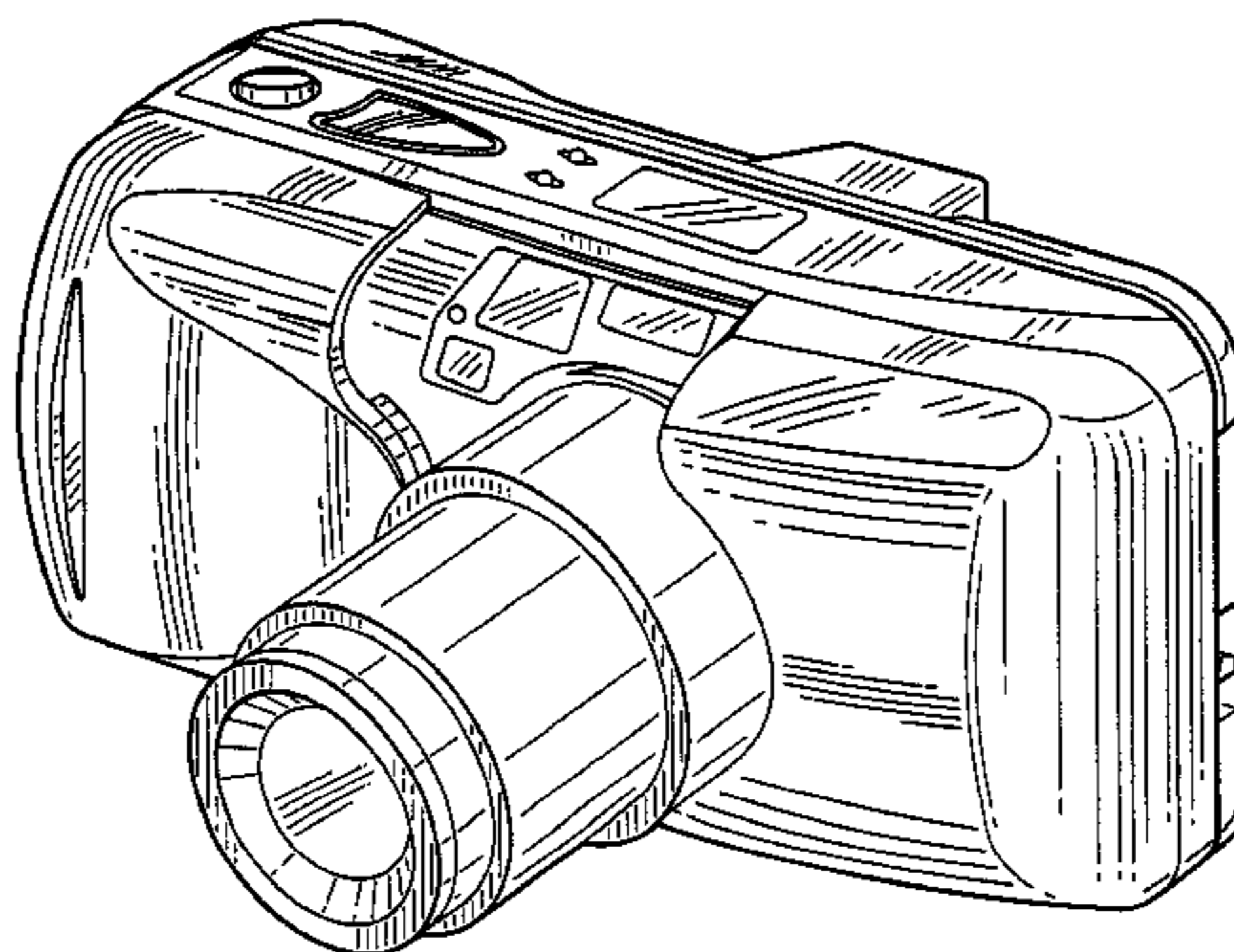
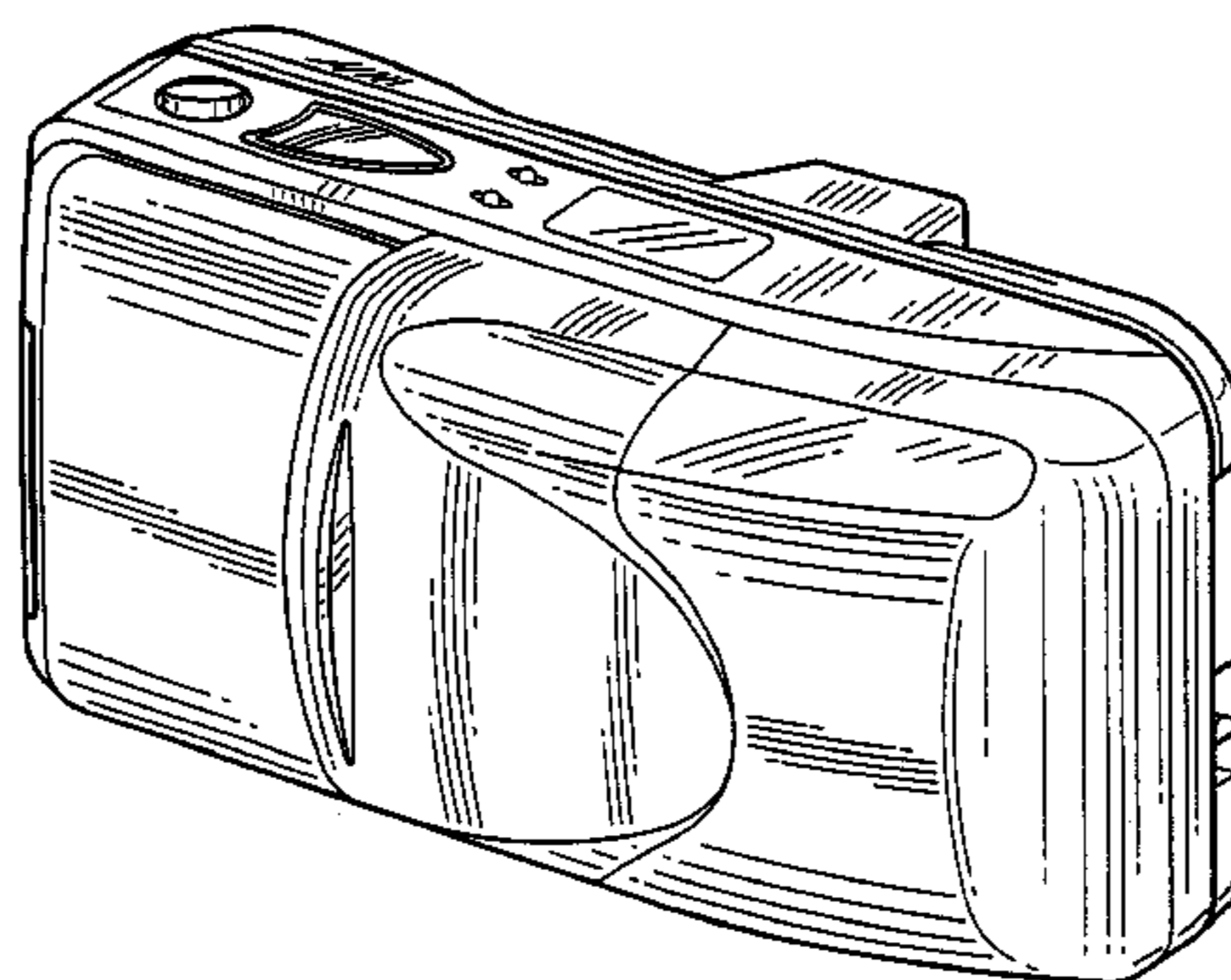
FIG. 8 is a rear elevational view thereof;

FIG. 9 is a top plan view thereof showing a barrier in an opened state;

FIG. 10 a front elevational view thereof showing the barrier in an opened state; and,

FIG. 11 a right side elevational view thereof showing the barrier in an opened state.

**1 Claim, 5 Drawing Sheets**



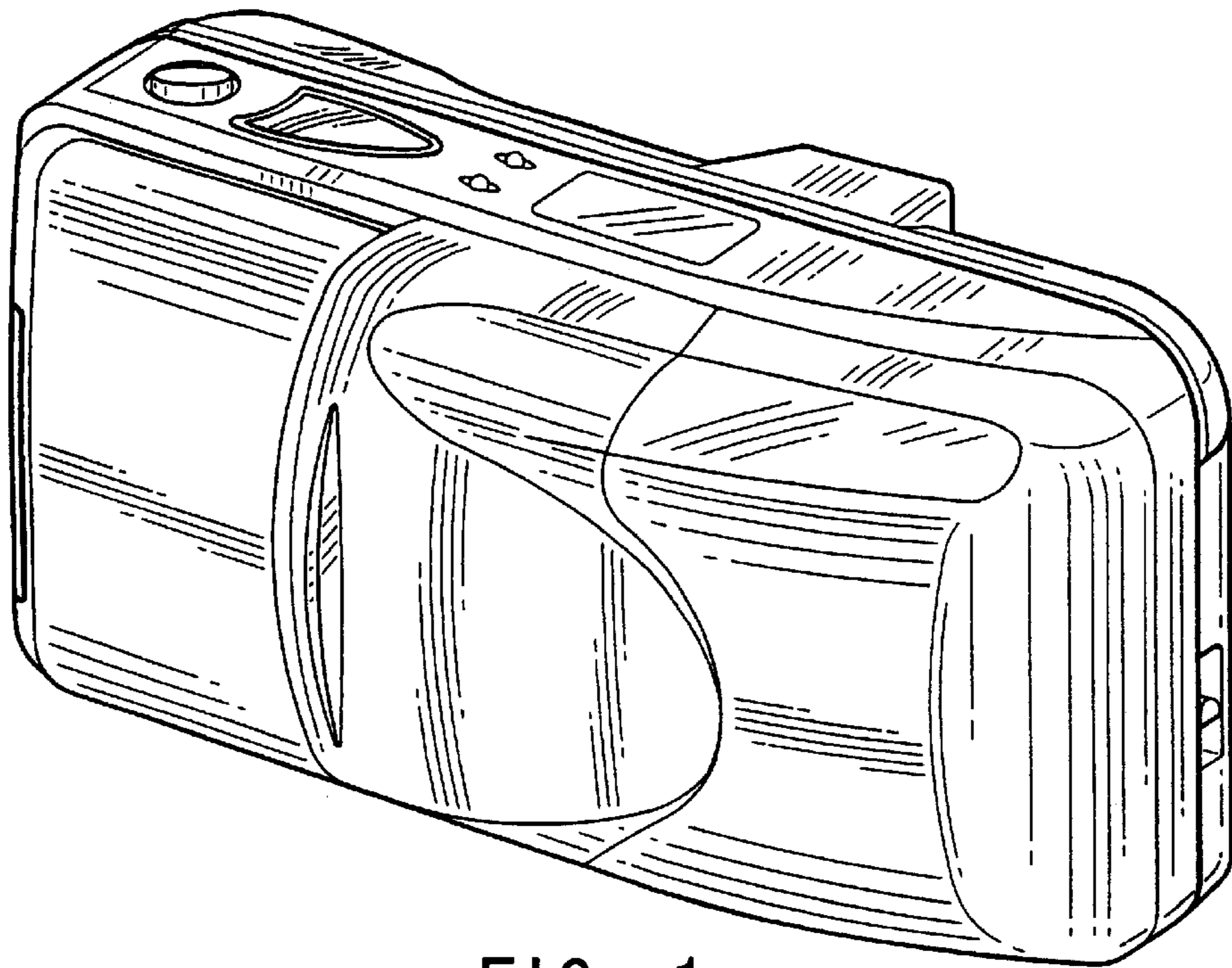


FIG. 1

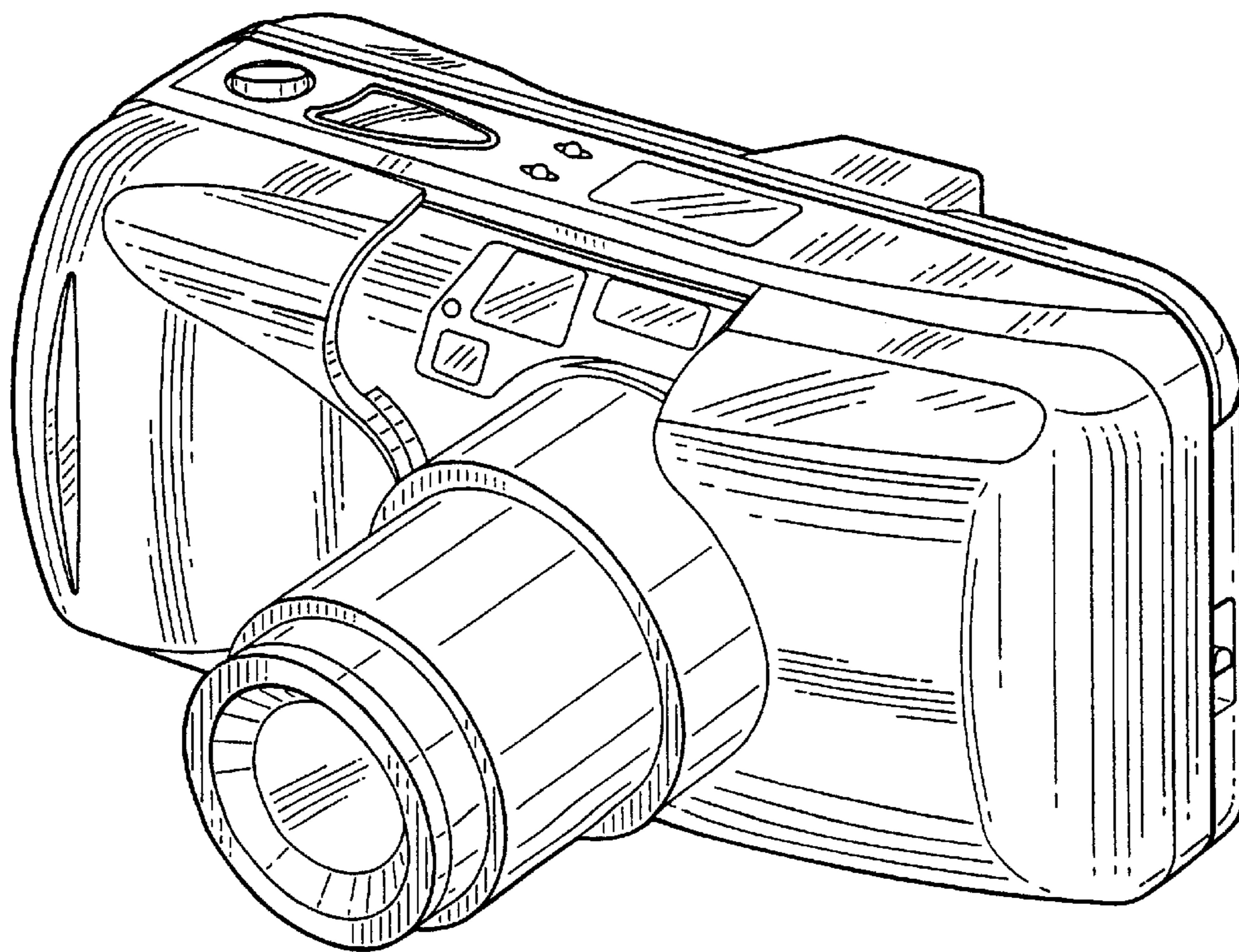


FIG. 2

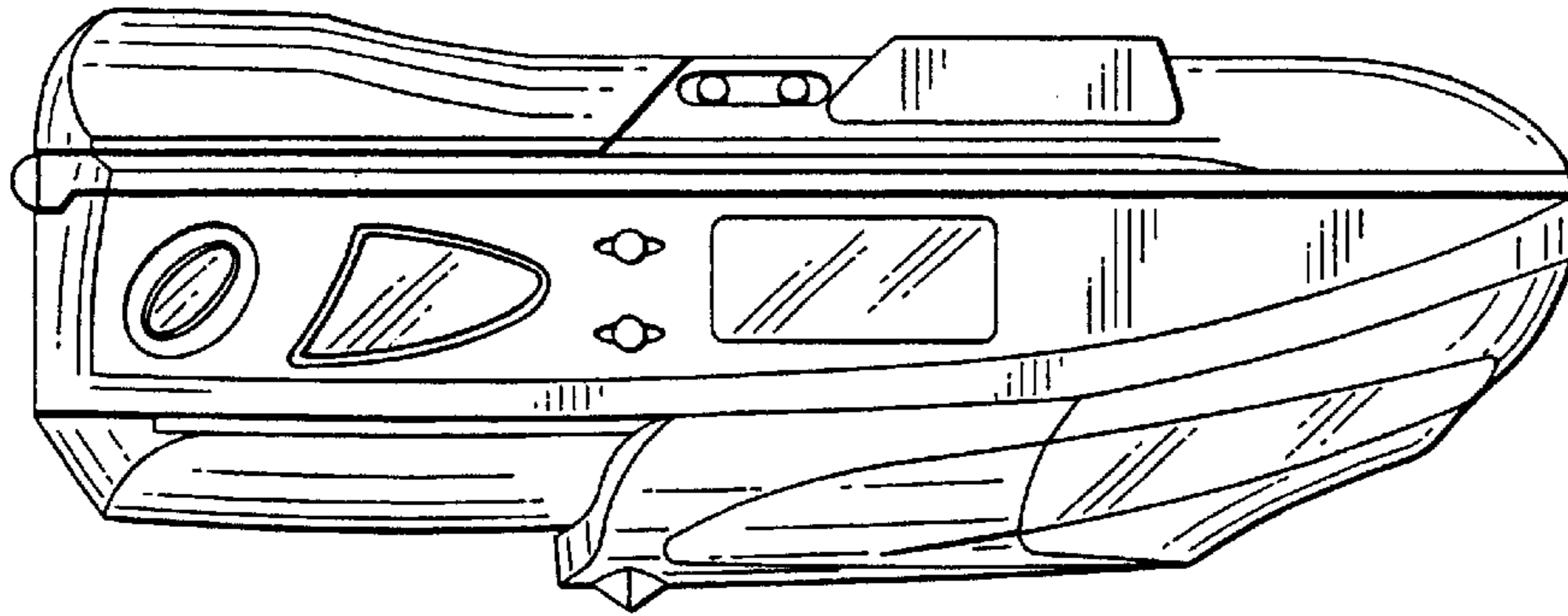


FIG. 3

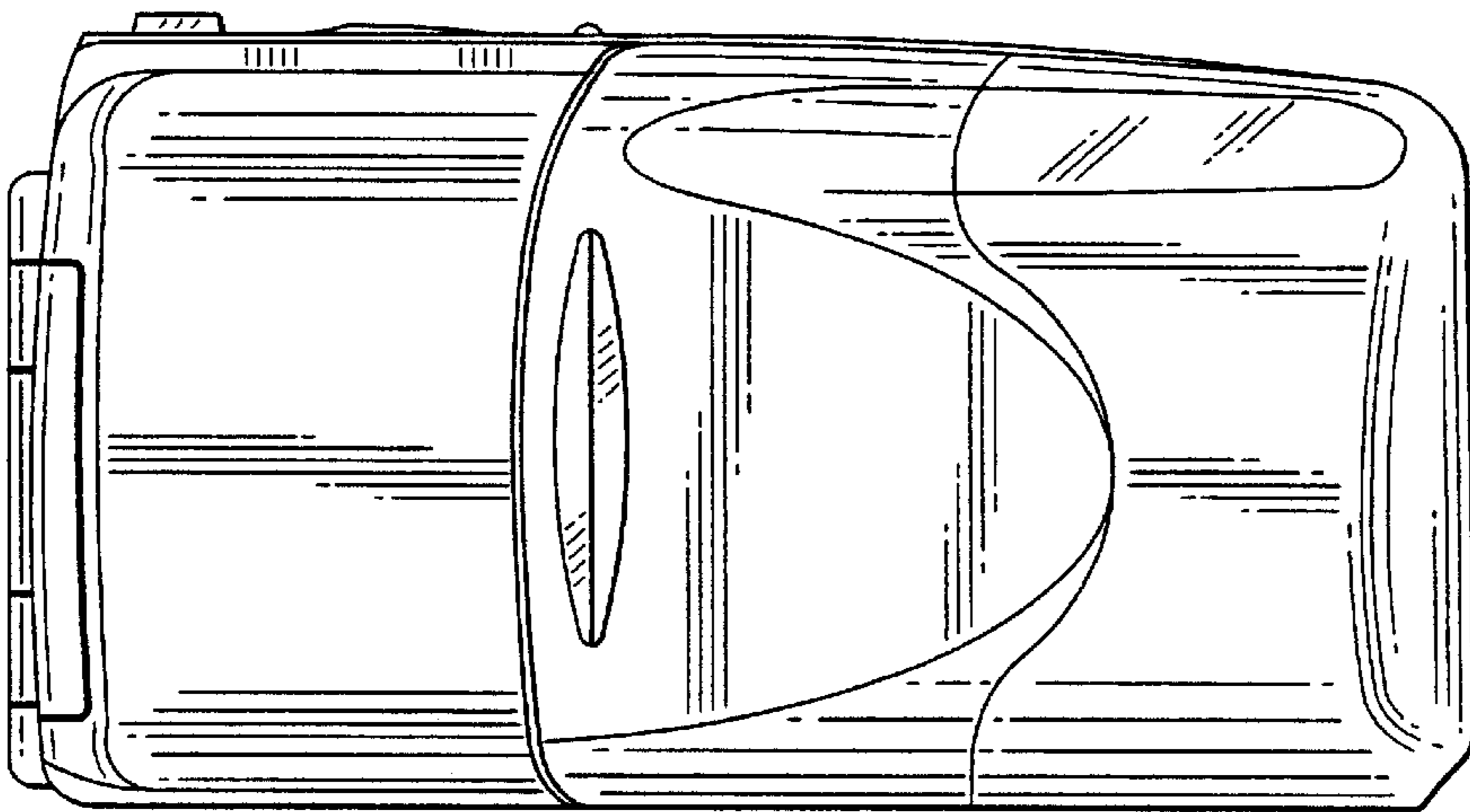


FIG. 4

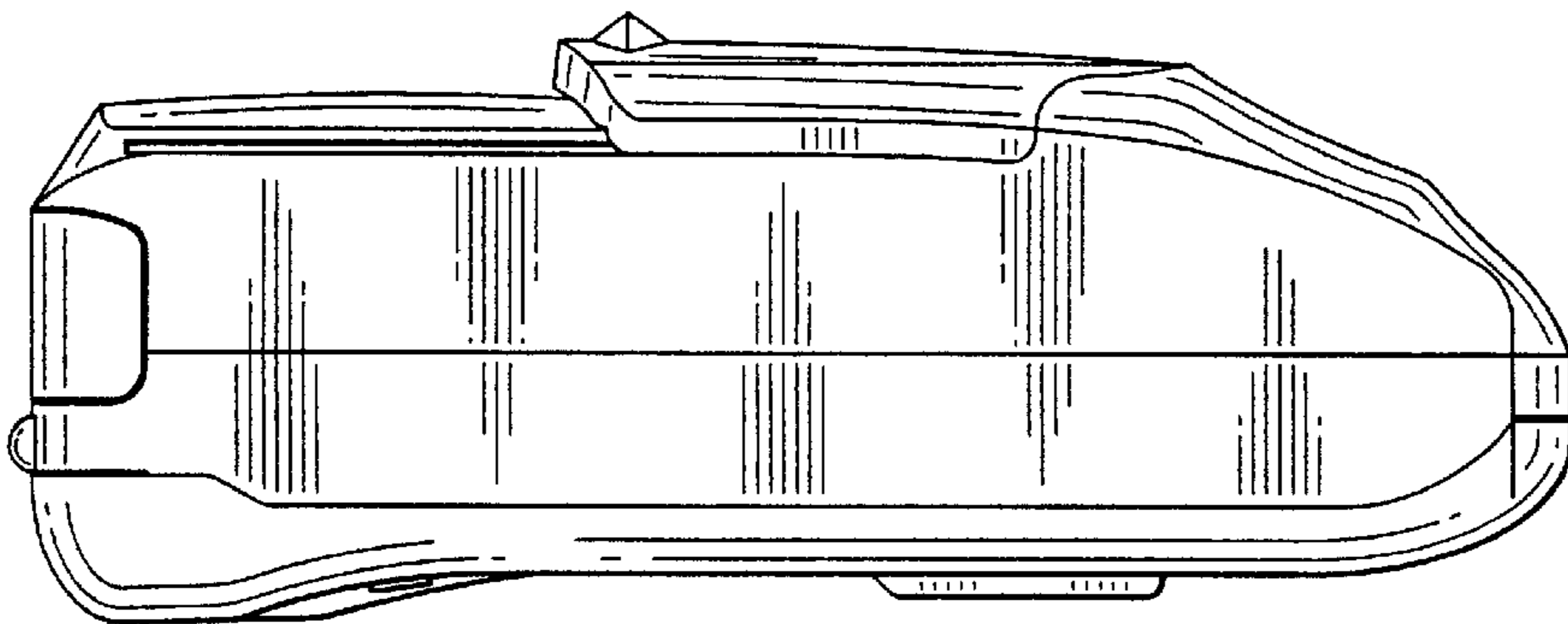


FIG. 5

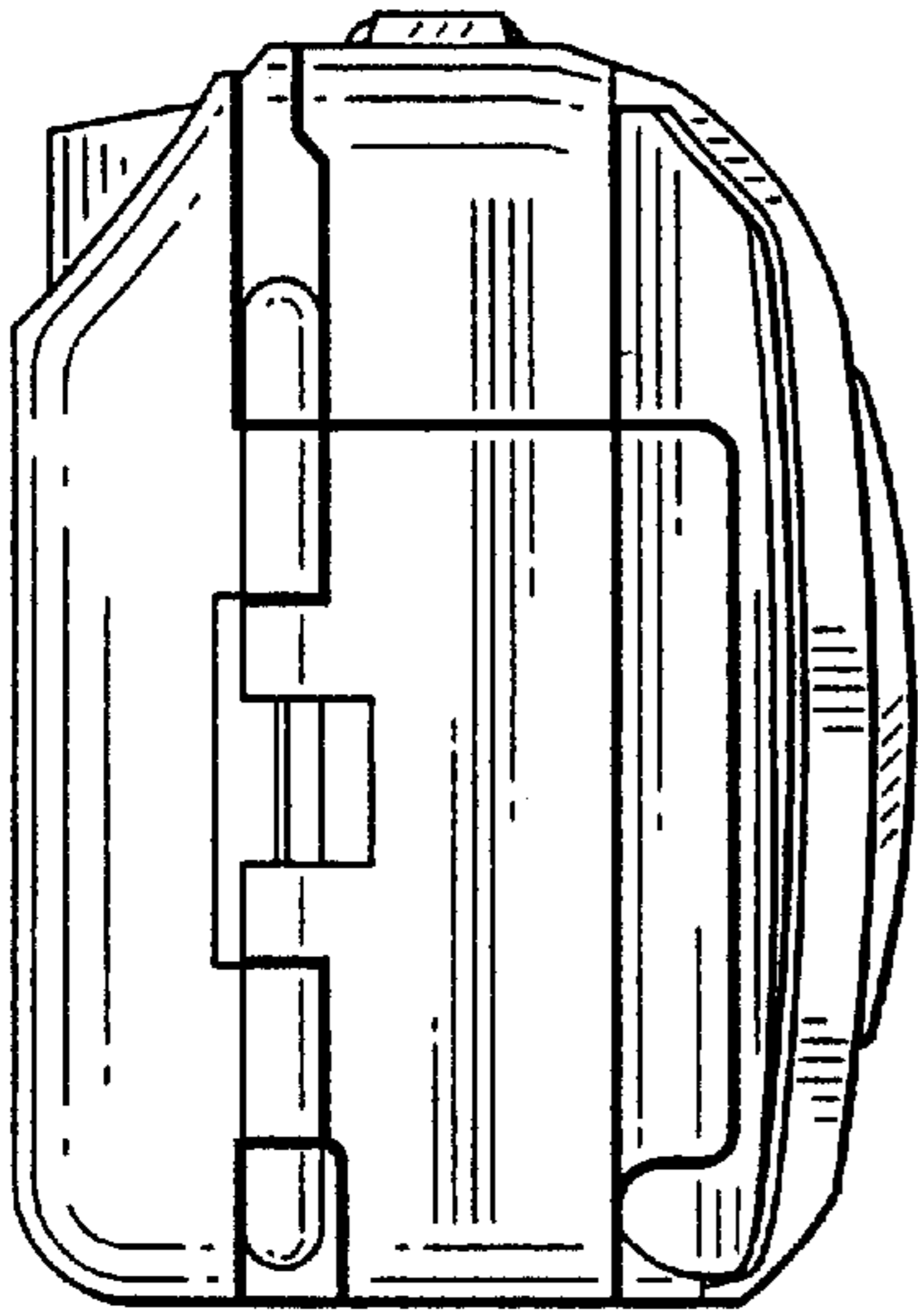


FIG. 6

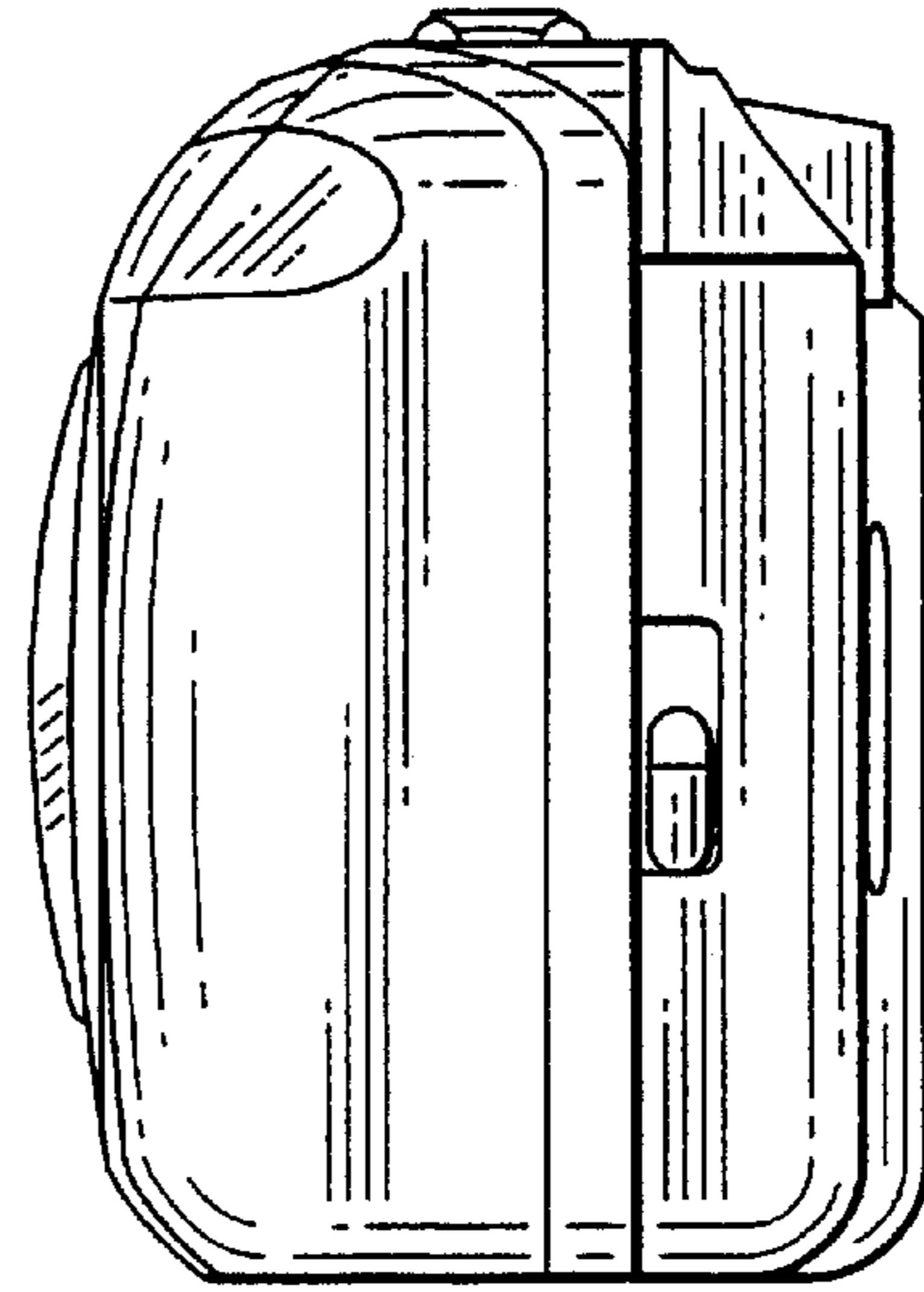


FIG. 7

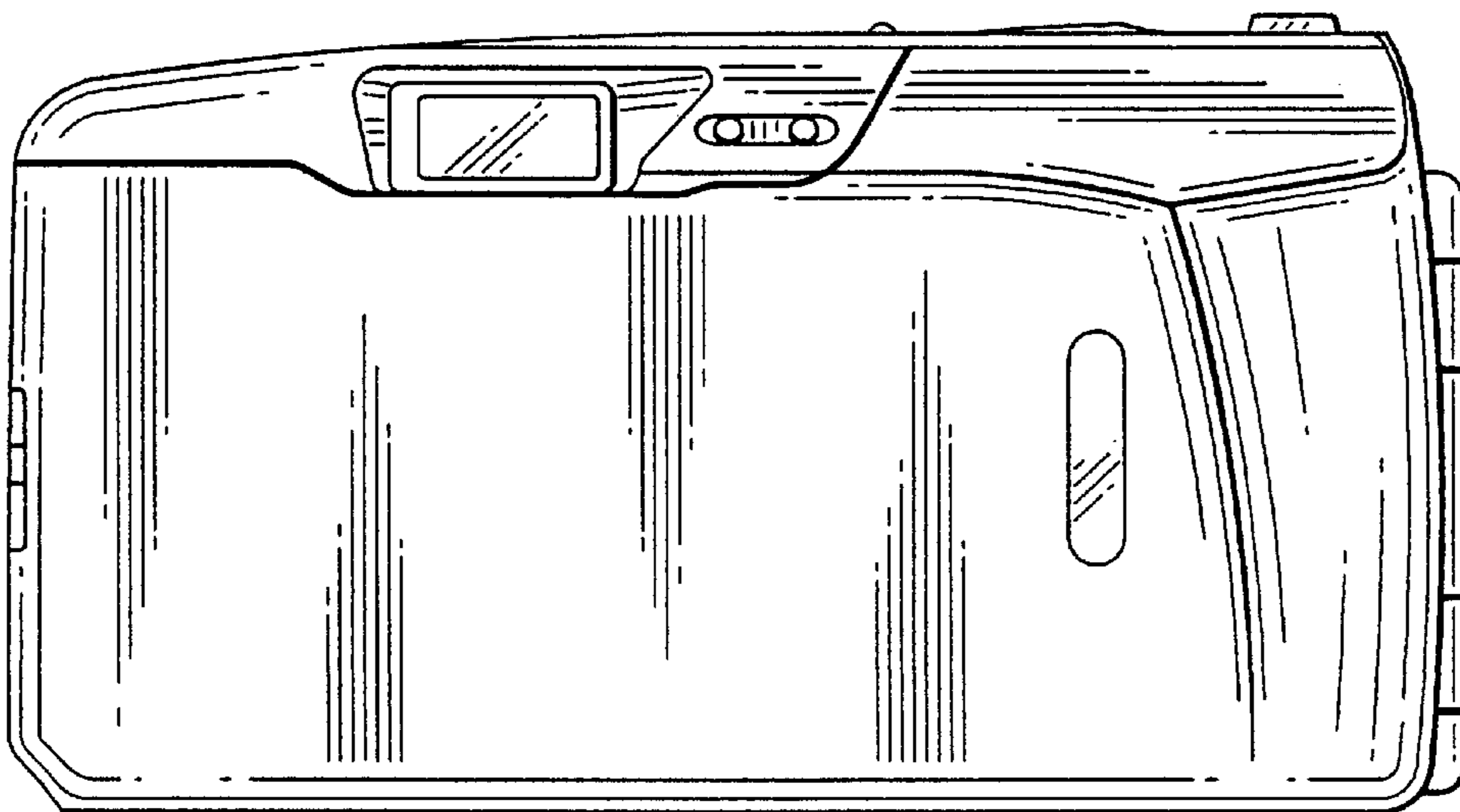


FIG. 8

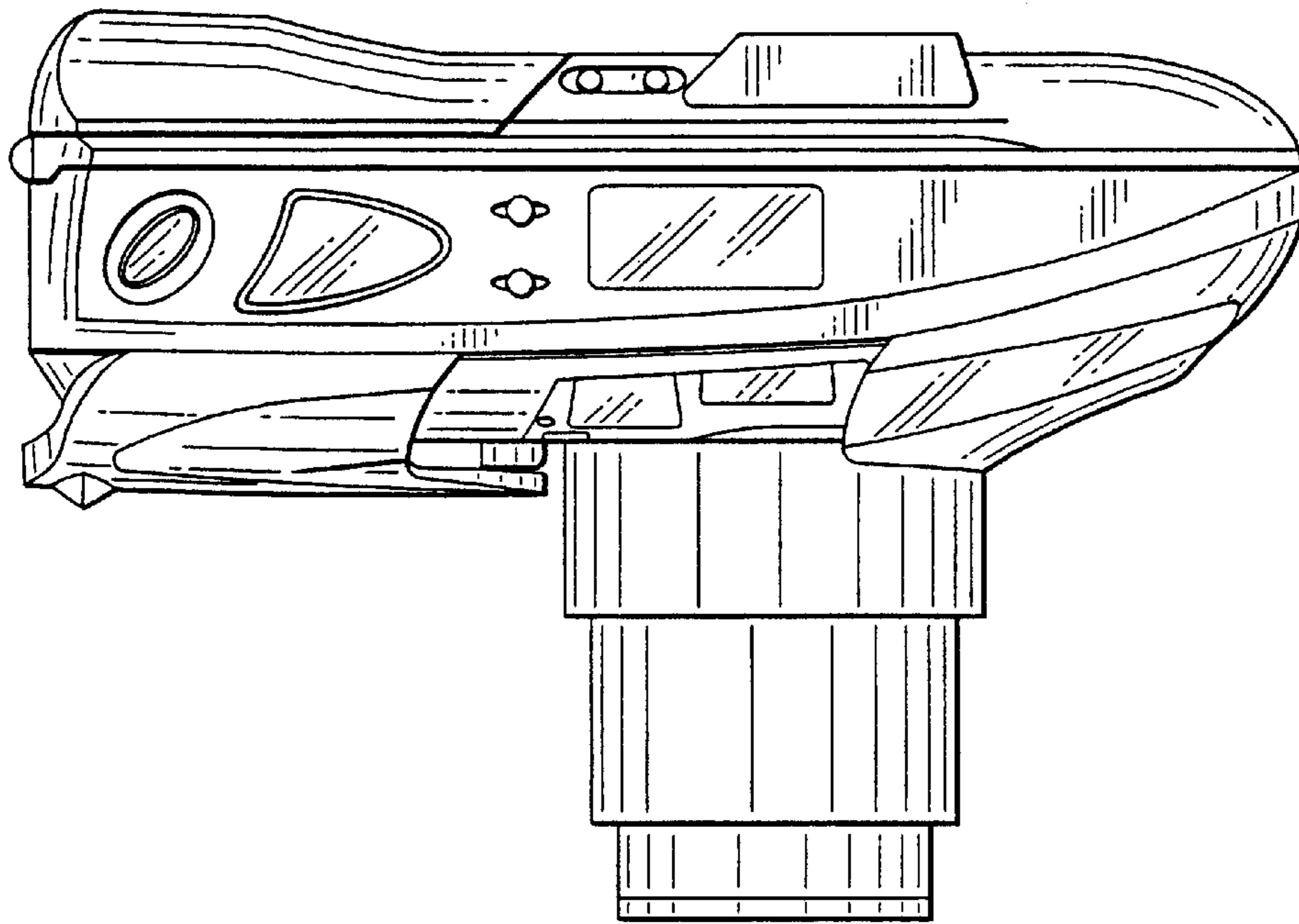


FIG. 9

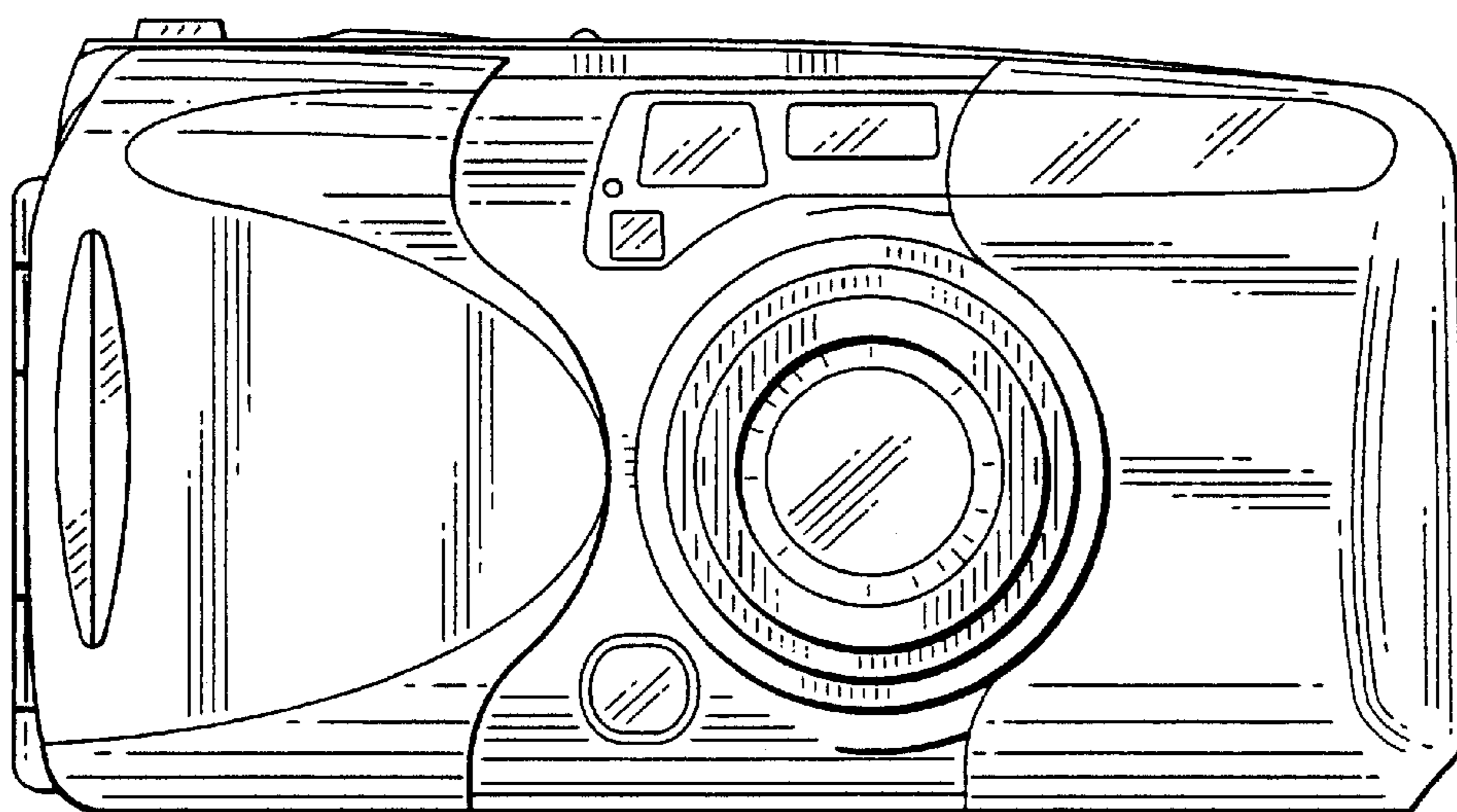


FIG. 10

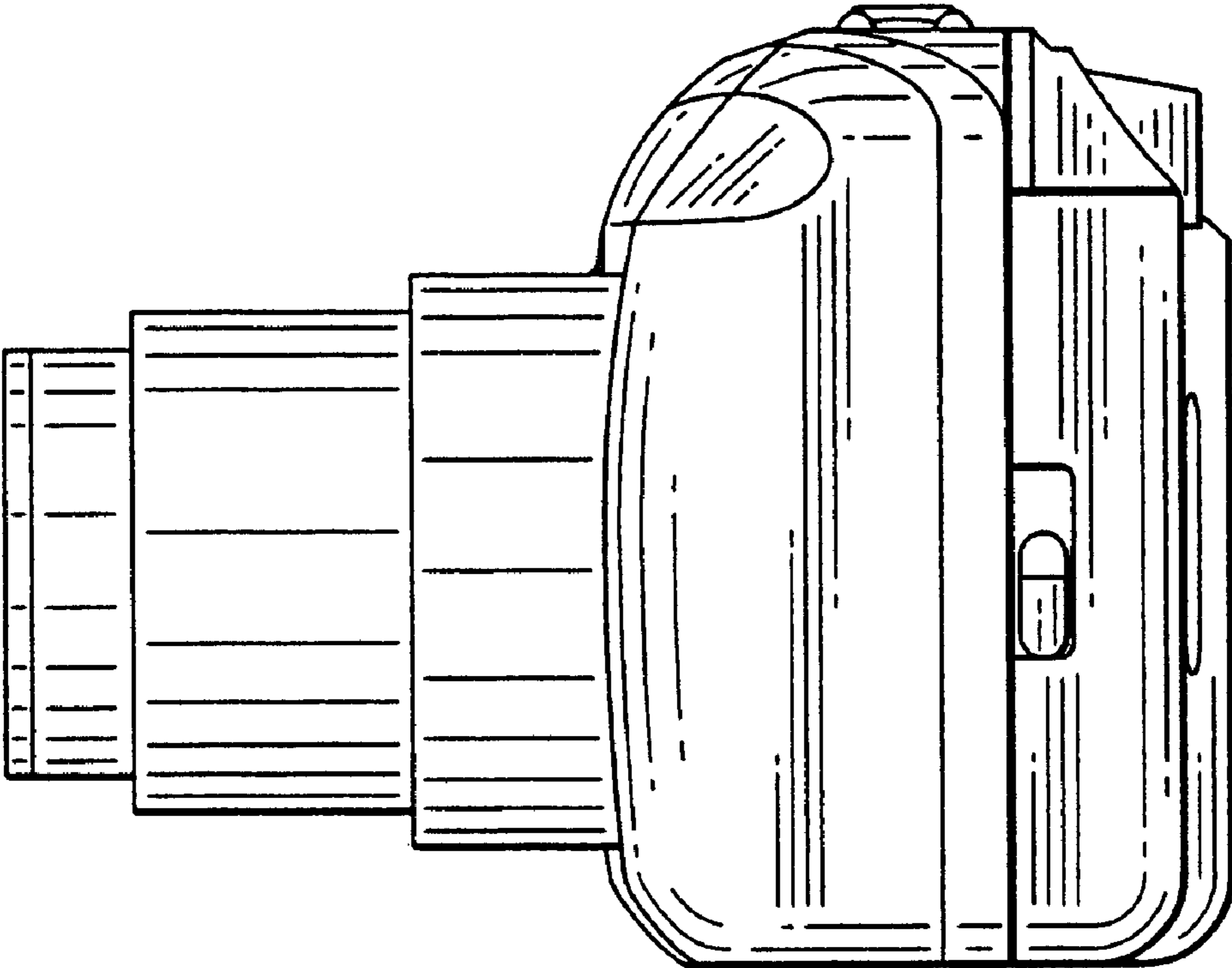


FIG. 11