



US00D508934S

(12) **United States Design Patent** (10) **Patent No.:** **US D508,934 S**
Nagai (45) **Date of Patent:** **** Aug. 30, 2005**

(54) **HOUSING FOR SURVEILLANCE CAMERA**

(75) Inventor: **Kouzi Nagai**, Tokyo (JP)

(73) Assignee: **Ikegami Tsushinki Co., Ltd.**, Tokyo (JP)

(**) Term: **14 Years**

(21) Appl. No.: **29/218,185**

(22) Filed: **Nov. 29, 2004**

Related U.S. Application Data

(62) Division of application No. 29/194,069, filed on Nov. 19, 2003, now Pat. No. Des. 501,863.

(30) **Foreign Application Priority Data**

Jun. 17, 2003 (JP) 2003-17083
 Jun. 17, 2003 (JP) 2003-17102
 Jun. 17, 2003 (JP) 2003-17125
 Jun. 17, 2003 (JP) 2003-17143

(51) **LOC (8) Cl.** **16-01**

(52) **U.S. Cl.** **D16/203**

(58) **Field of Search** D16/200-204,
D16/208, 218, 219; 348/143, 151, 373-376;
396/427, 535, 536-541

(56) **References Cited**

U.S. PATENT DOCUMENTS

D325,212 S 4/1992 Elberbaum
 D388,450 S 12/1997 Hamano et al.
 D399,517 S 10/1998 Hasegawa
 D412,924 S 8/1999 Hiraguchi
 D415,509 S 10/1999 Hiraguchi
 6,061,087 A 5/2000 Schieltz et al.
 6,354,749 B1 3/2002 Pfaffenberger, II
 6,357,936 B1 * 3/2002 Elberbaum 396/427

D457,904 S 5/2002 Toste et al.
 6,525,766 B1 * 2/2003 Ikoma et al. 348/151
 D473,887 S 4/2003 Jones et al.
 6,678,001 B1 1/2004 Elberbaum
 6,715,940 B2 * 4/2004 Top et al. 396/427
 D489,742 S 5/2004 Nagai
 D494,992 S * 8/2004 Seo D16/203
 D497,927 S * 11/2004 Arbuckle et al. D16/203

FOREIGN PATENT DOCUMENTS

JP 63-28544 7/1988
 JP 1-23775 6/1989
 JP 4-22387 6/1992
 JP 4-22386 7/1992
 JP 4-22388 7/1992
 JP 4-38074 12/1992
 JP 4-38075 12/1992
 JP 4-38076 12/1992

* cited by examiner

Primary Examiner—Adir Aronovich

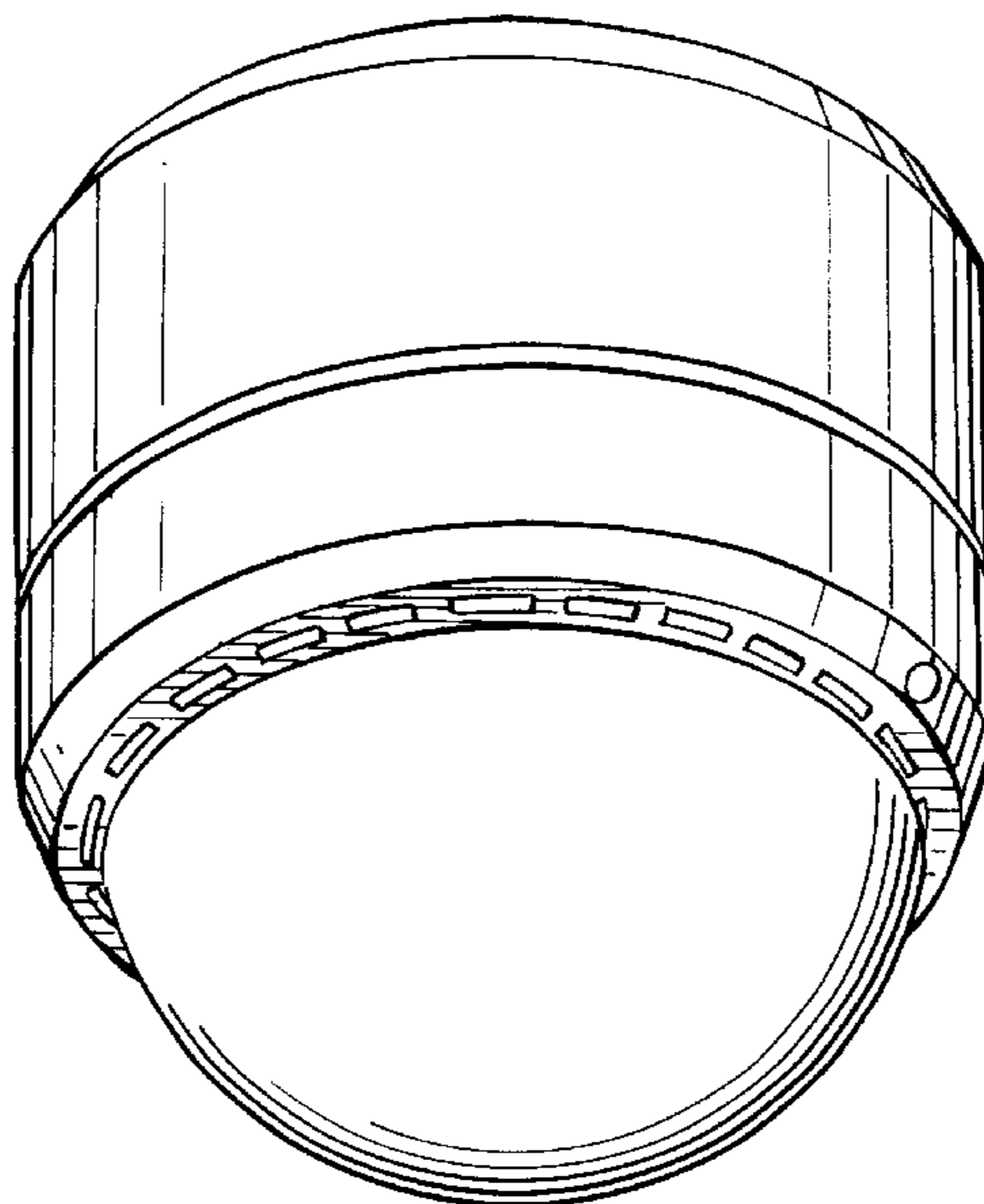
(57) **CLAIM**

I claim the ornamental design for a housing for surveillance camera, as shown and described.

DESCRIPTION

FIG. 1 is a perspective view of a housing for surveillance camera; and
 FIG. 2 is a front view of the housing for surveillance camera;
 FIG. 3 is a rear view of the housing for surveillance camera;
 FIG. 4 is a top view of the housing for surveillance camera;
 FIG. 5 is bottom view of the housing for surveillance camera;
 FIG. 6 is a right side view of the housing for surveillance camera; and,
 FIG. 7 is a left side view of the housing for surveillance camera.

1 Claim, 4 Drawing Sheets



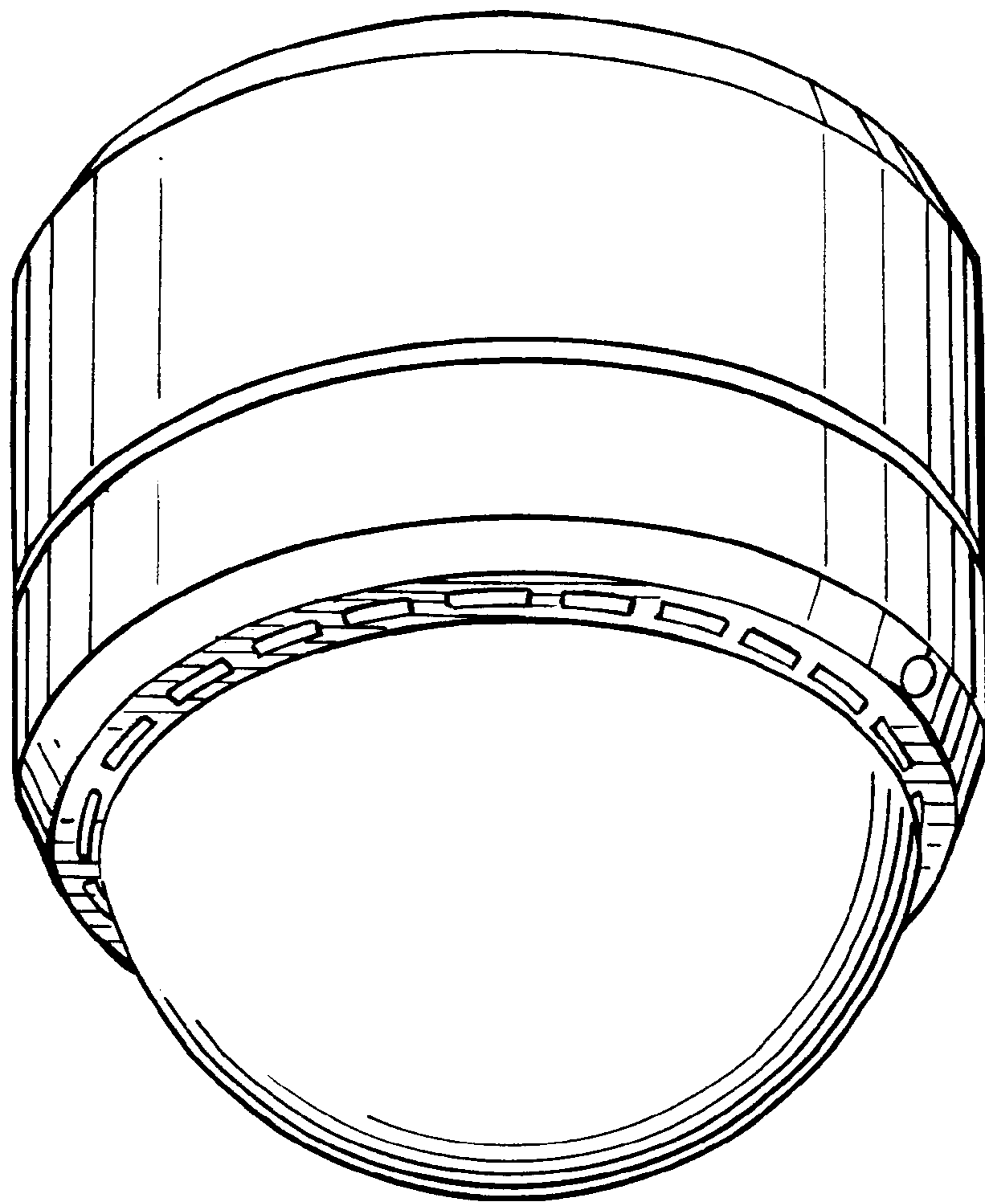


FIG. 1

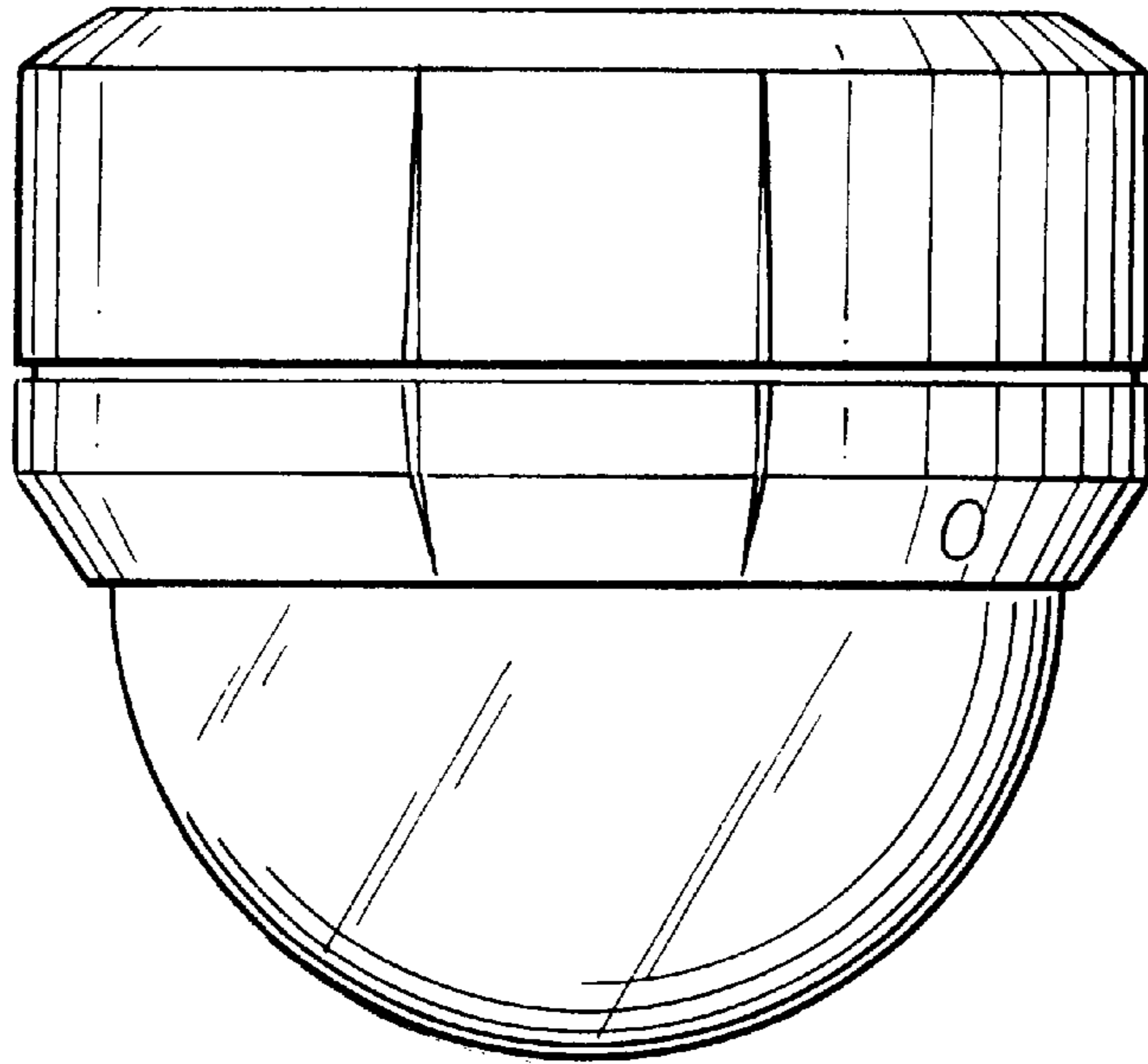


FIG. 2

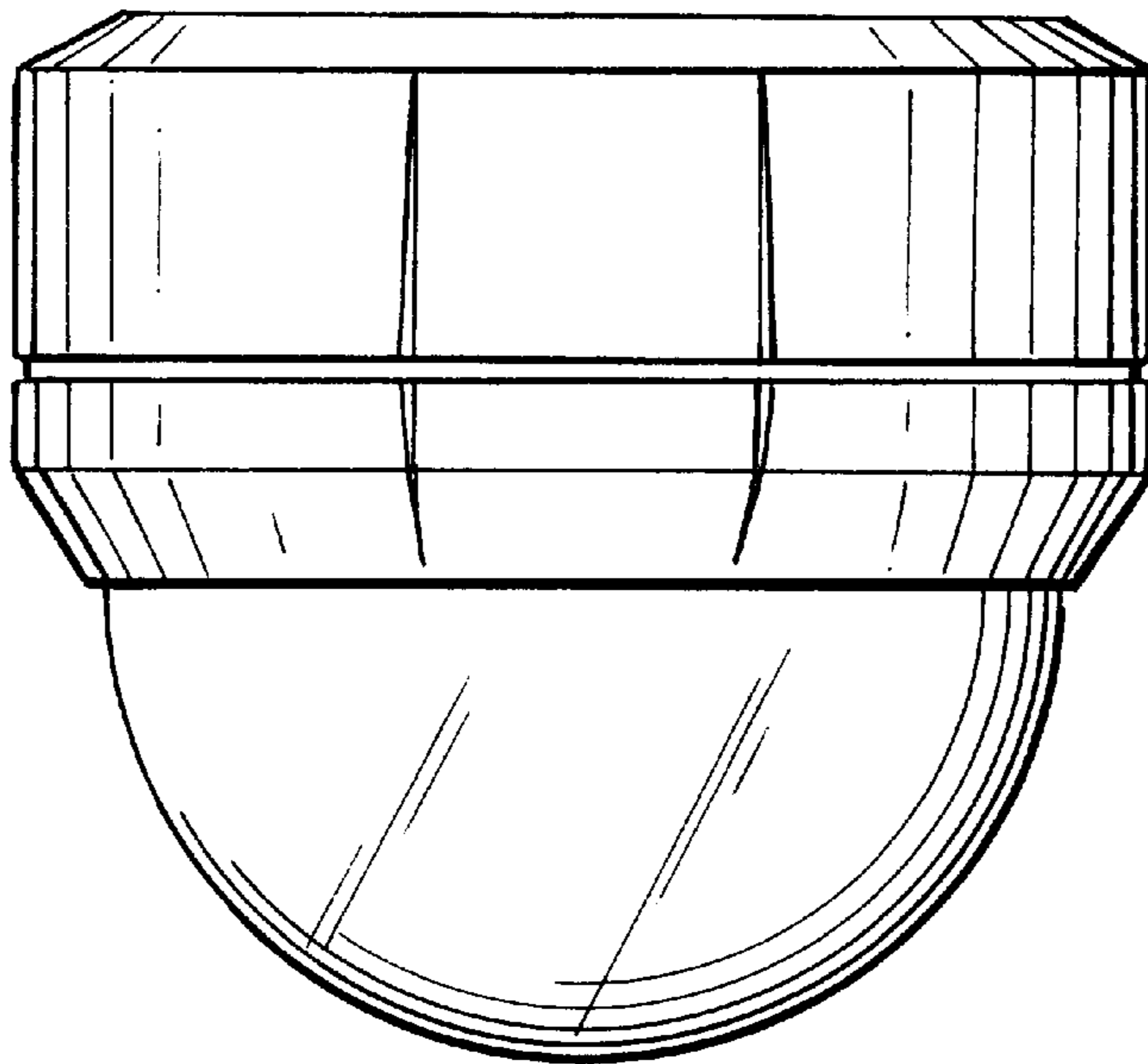


FIG. 3

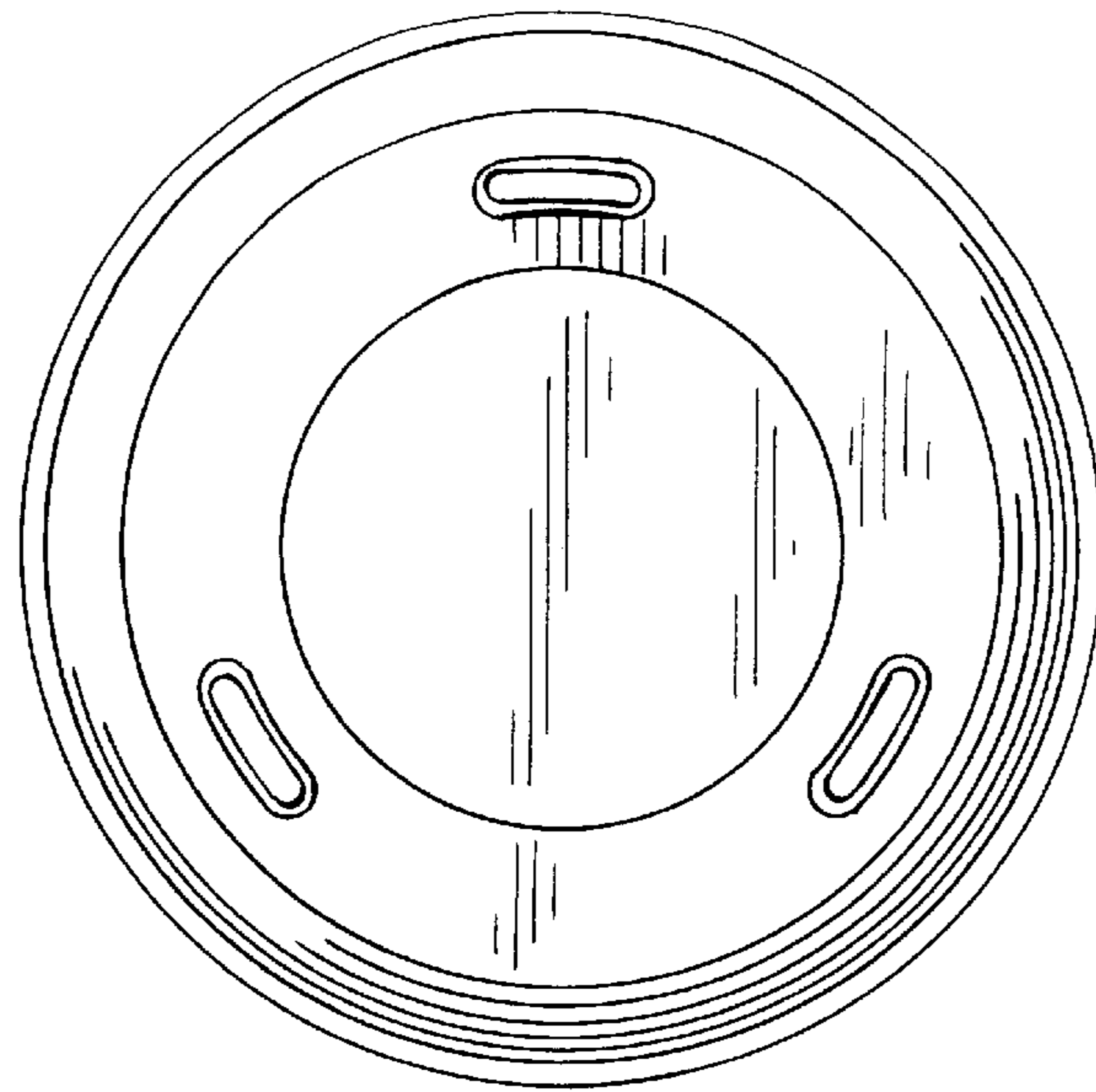


FIG. 4



FIG. 5

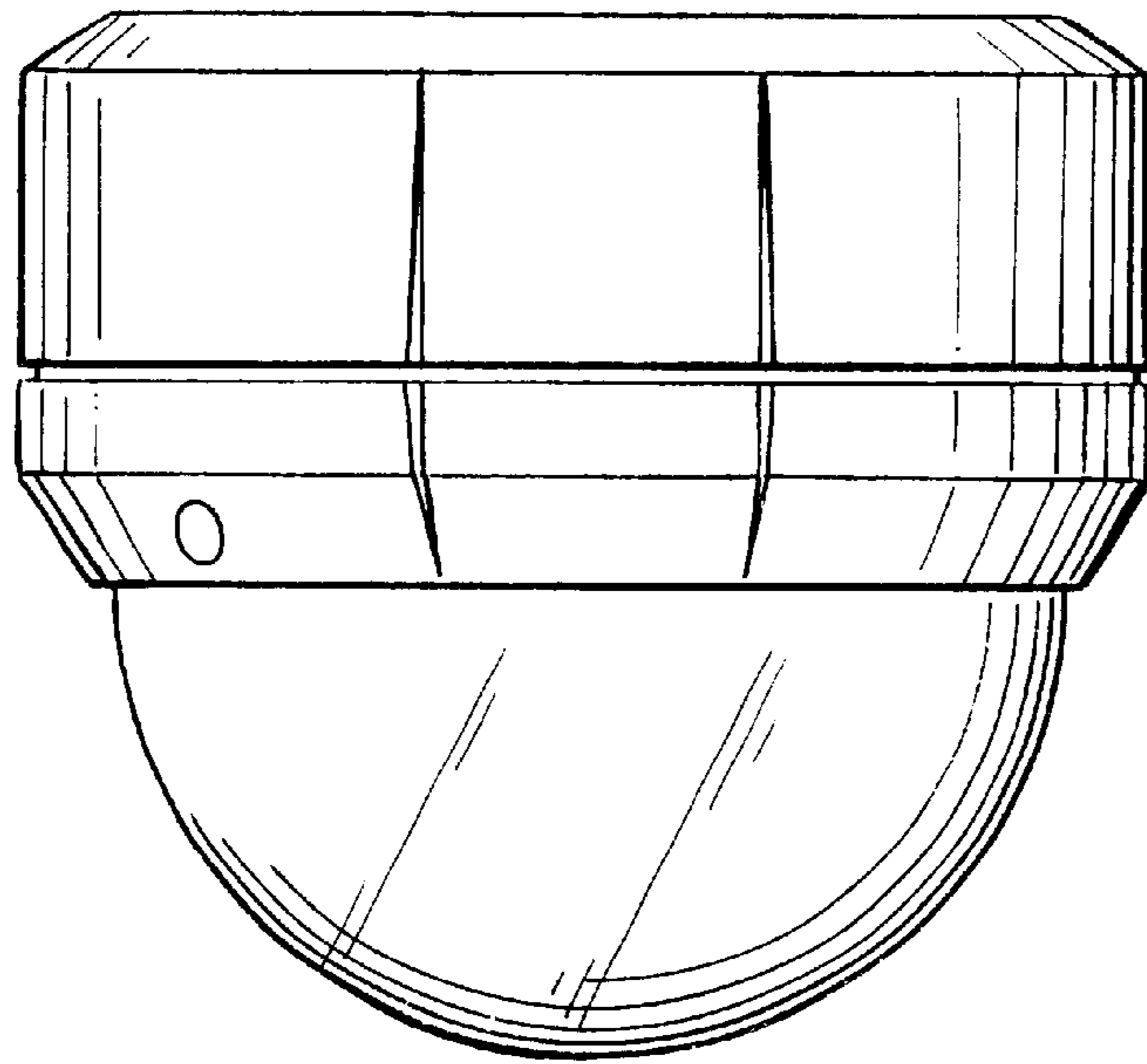


FIG. 6

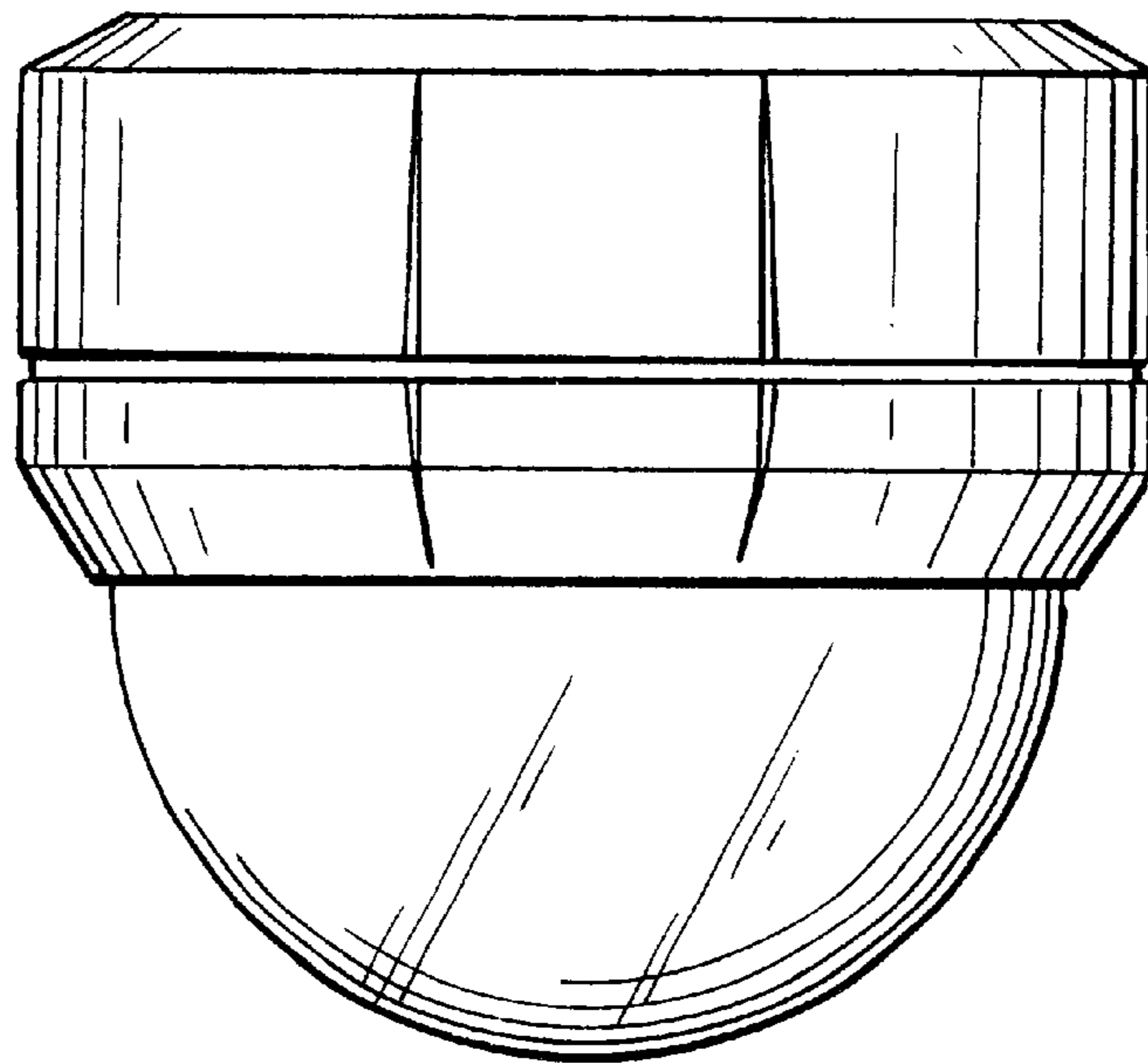


FIG. 7