

US00D508931S

(12) **United States Design Patent** (10) **Patent No.:** **US D508,931 S**
Griggs et al. (45) **Date of Patent:** **** Aug. 30, 2005**

(54) **NETTING PRODUCT CHUTE FOR
AUTOMATIC AND/OR MANUAL
PACKAGING OPERATIONS**

(75) Inventors: **Samuel D. Griggs**, Raleigh, NC (US);
Dennis J. May, Pittsboro, NC (US)

(73) Assignee: **Delaware Capital Formation, Inc.**,
Wilmington, DE (US)

(**) Term: **14 Years**

(21) Appl. No.: **29/195,606**

(22) Filed: **Dec. 15, 2003**

(51) **LOC (8) Cl.** **15-09**

(52) **U.S. Cl.** **D15/145**

(58) **Field of Search** D15/145; 29/773,
29/806; 53/416-419, 413, 456, 563, 138.1,
138.2, 138.3, 138.4, 138.5, 138.6, 138.7,
138.8

(56) **References Cited**

U.S. PATENT DOCUMENTS

- 3,389,533 A 6/1968 Tipper et al.
- 3,499,259 A 3/1970 Tipper et al.
- 3,587,204 A * 6/1971 George 53/138.4

(Continued)

OTHER PUBLICATIONS

Product Brochure, 6 sheets, "Tipper Net For Smoking,
Hanging & Decoration, Net-All® Netting Is The Answer,"
© 2000.

Product Brochure, 1 sheet, "Tipper Clipper®—signature
Series SZ3214 Double Clipper for Netting," © 2002.

Product Brochure, 2 sheets, "Tipper Net Z3200 Double
Clipper and Plant Netting System," © 2000.

(Continued)

Primary Examiner—Antoine D. Davis

(74) *Attorney, Agent, or Firm*—Myers Bigel Sibley &
Sajovec PA

(57) **CLAIM**

The ornamental design for a netting product chute for
automatic and/or manual packaging operations, as shown
and described.

DESCRIPTION

FIG. 1 is a side perspective view of the netting product chute
for automatic and/or manual packaging operations showing
our design;

FIG. 2 is a side view thereof;

FIG. 3 is a top view thereof;

FIG. 4 is a bottom view thereof;

FIG. 5 is an ingress end view thereof;

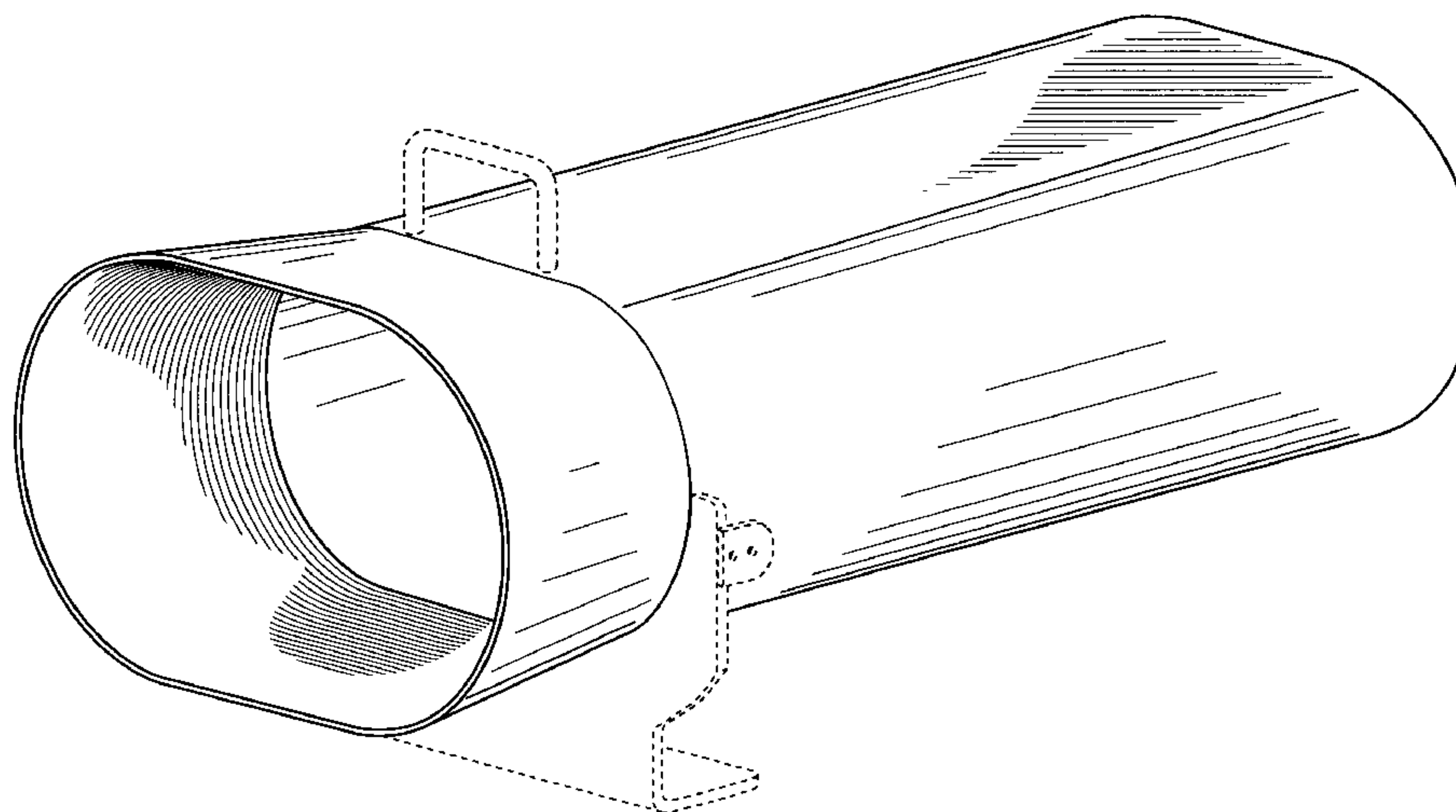
FIG. 6 is an opposing egress end view thereof;

FIG. 7 is side perspective view illustrating the netting
product chute for automatic and/or manual packaging opera-
tions in an exemplary use environment with the netting
product chute for automatic and/or manual packaging opera-
tions oriented substantially horizontally; and,

FIG. 8 is side perspective view illustrating the netting
product chute for automatic and/or manual packaging opera-
tions in an exemplary use environment with the netting
product chute for automatic and/or manual packaging opera-
tions tilted angularly down.

The opposing side view of the netting product chute for
automatic and/or manual packaging operations is substan-
tially the same as that shown in FIG. 2 (without the broken
line upper side bracket feature having side by side mounting
apertures). The broken lines shown herein are for illustrative
purposes only and form no part of the claimed design. The
illustrated device is not limited to the scale shown and the
illustrated ham product and netting material shown in bro-
ken lines in FIGS. 7 and 8 are exemplary only, as the netting
product chute for automatic and/or manual packaging opera-
tions is useful for packaging other food items as well as
other net-enclosed industrial and commodity items and/or
may be used with other netting types.

1 Claim, 8 Drawing Sheets



U.S. PATENT DOCUMENTS

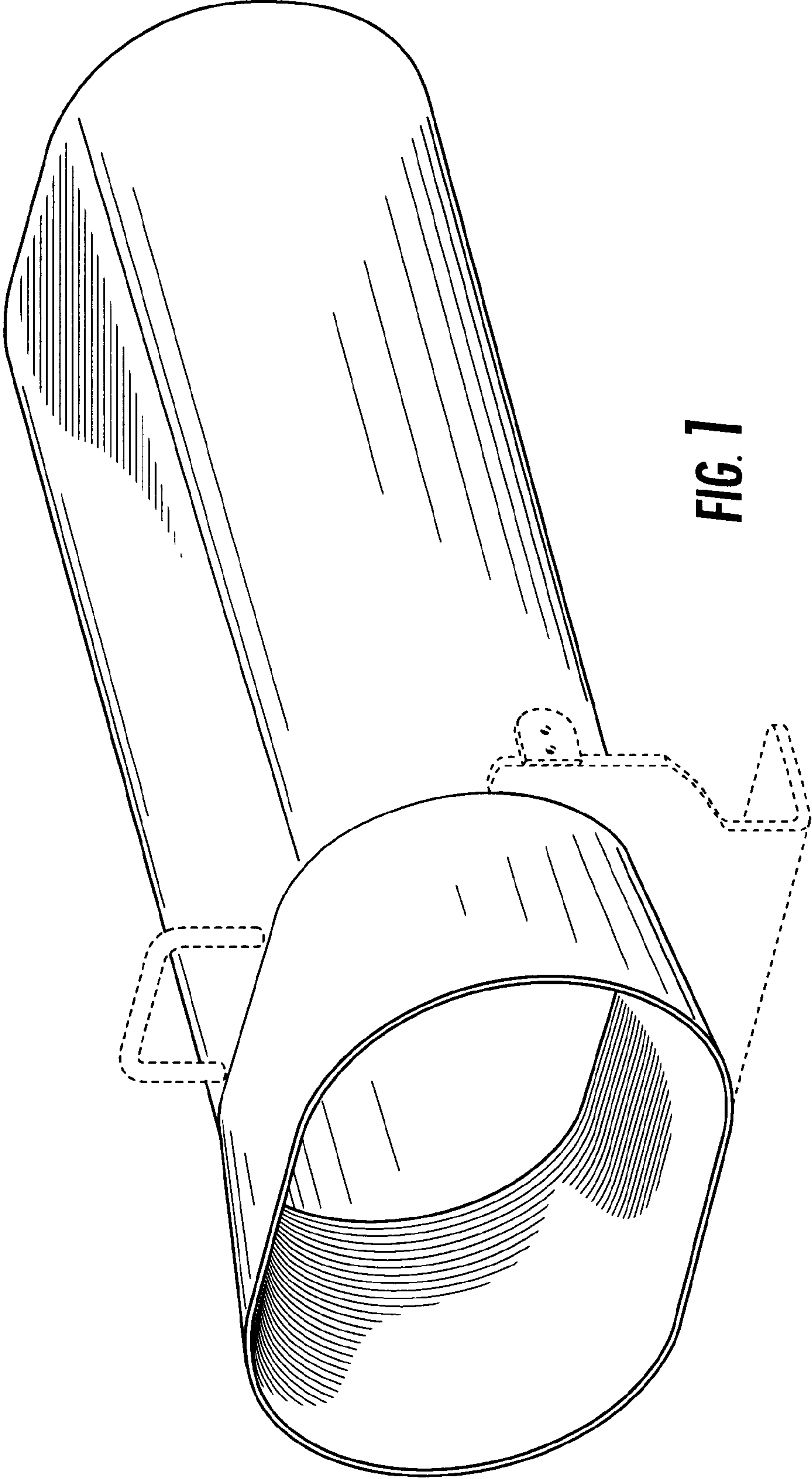
3,732,662 A * 5/1973 Paxton 53/415
D243,158 S * 1/1977 Bolwell D15/145
4,091,595 A * 5/1978 Pelster et al. 53/417
4,247,005 A * 1/1981 Buxton 53/138.4
4,590,748 A * 5/1986 Harrison et al. 53/576
4,683,700 A 8/1987 Evans et al. 53/138.4
4,766,713 A 8/1988 Evans 53/138.2
5,042,234 A * 8/1991 Evans et al. 53/523
5,044,144 A * 9/1991 Foote et al. 29/806
5,161,347 A 11/1992 May et al. 53/138.2
5,495,701 A 3/1996 Poteat et al. 53/138.2
5,586,424 A 12/1996 Chen et al. 53/138.2
6,745,547 B2 * 6/2004 Bussey et al. 53/576

2003/0131564 A1 7/2003 Ailey et al. 53/413

OTHER PUBLICATIONS

Product Brochure, 1 sheet, "Tipper Tie-Net, Safely and quickly package plugs before shipping," © 1999.
Product Brochure, 1 sheet, "Tipper Netter TN-3000 Automatic Netting-Packaging Machine," © 2002.
Product Brochure, 4 sheets, "Net-All ® Netting Is The answer To All Your Horticultural Applications," © 2001.
Product Brochure, 2 sheets, "Net-All Sleeved Plastic Netting System," © 2000.

* cited by examiner



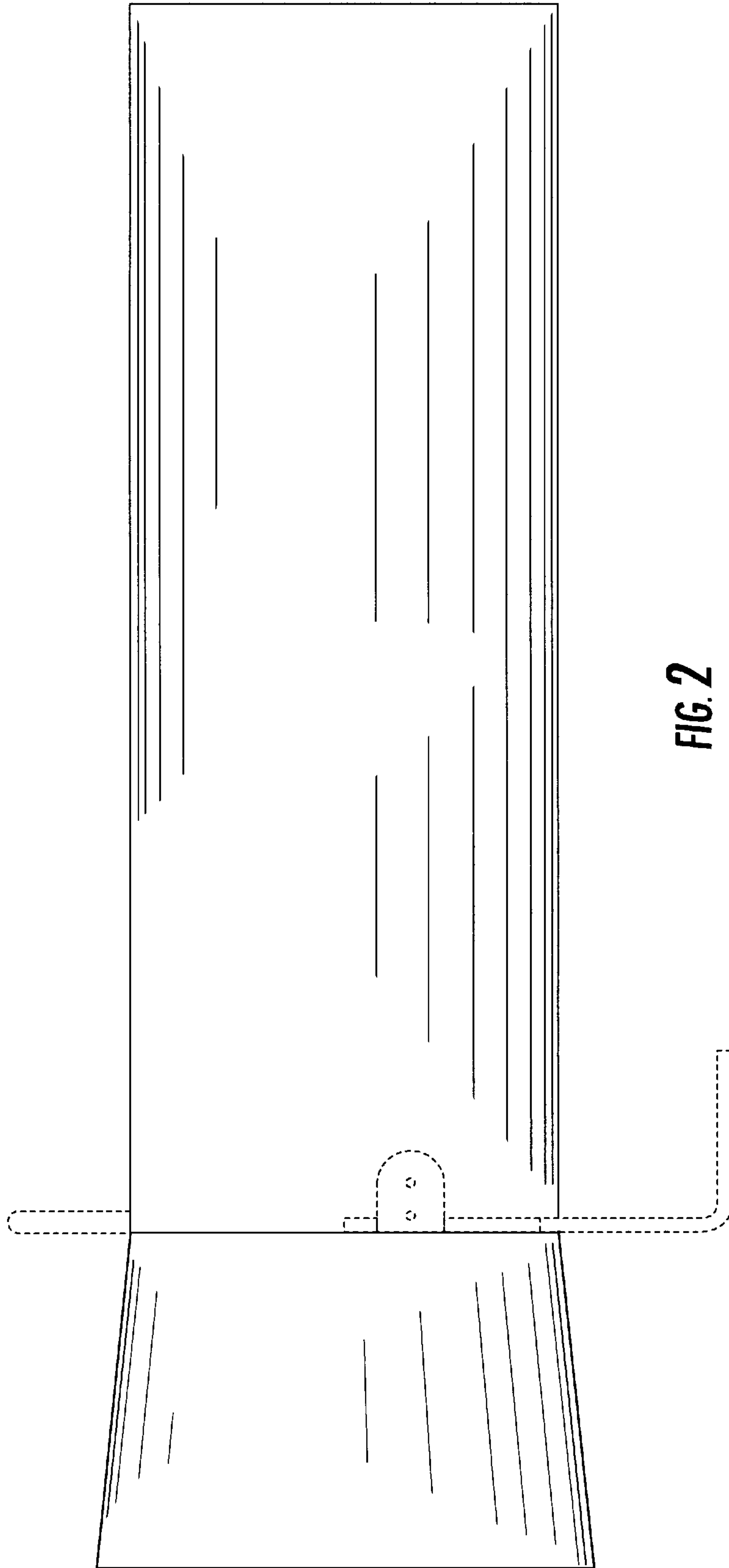


FIG. 2

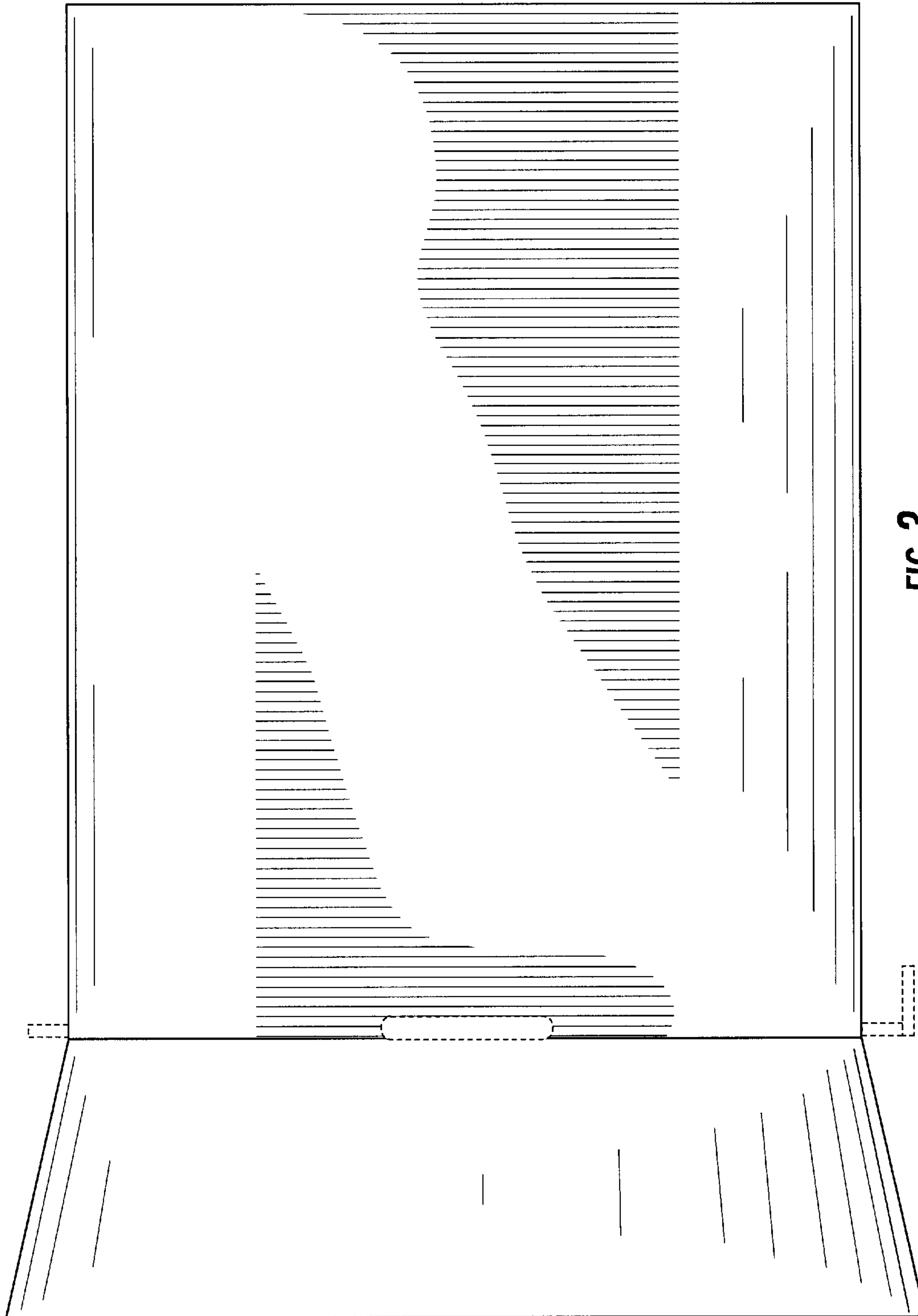


FIG. 3

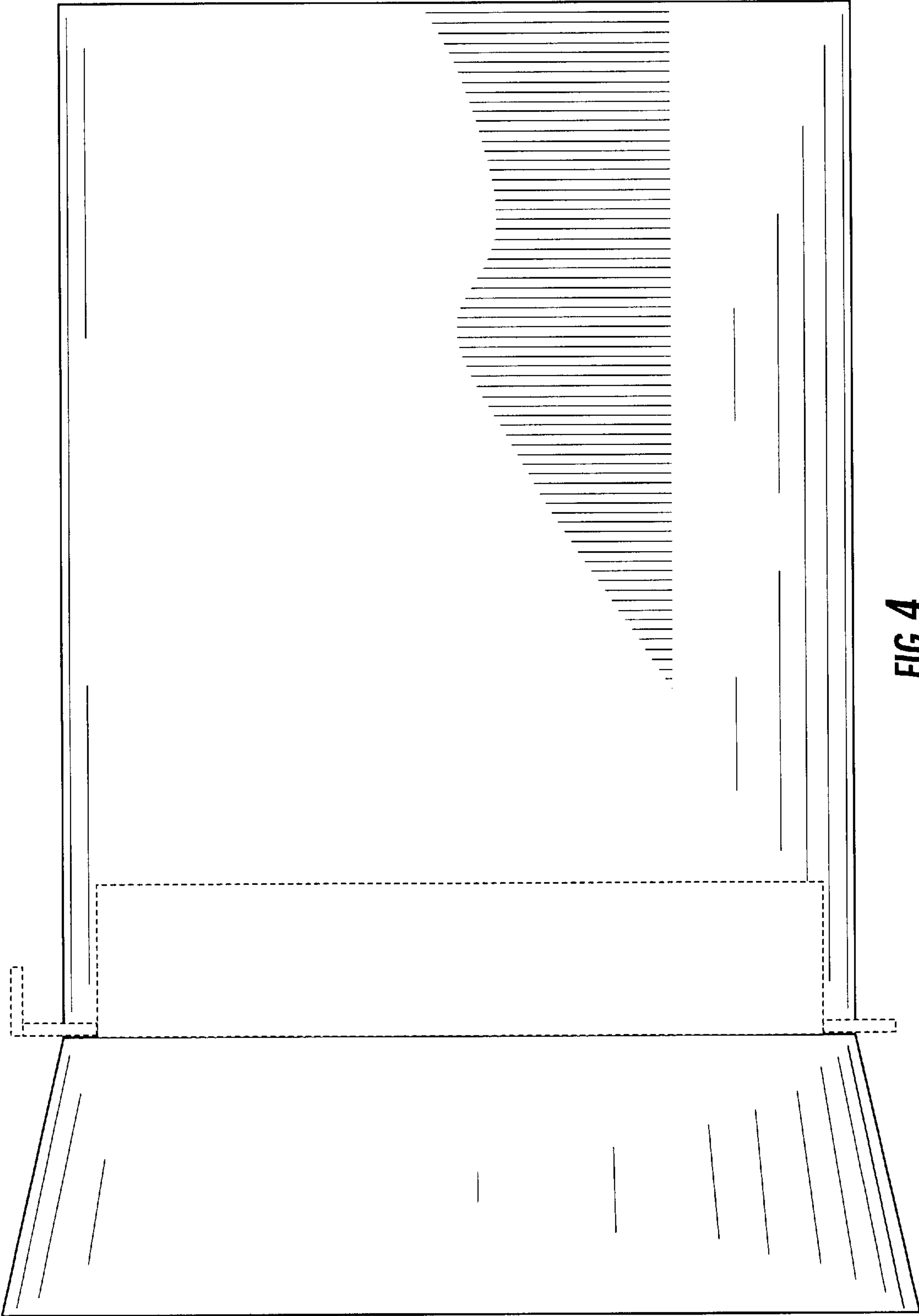


FIG. 4

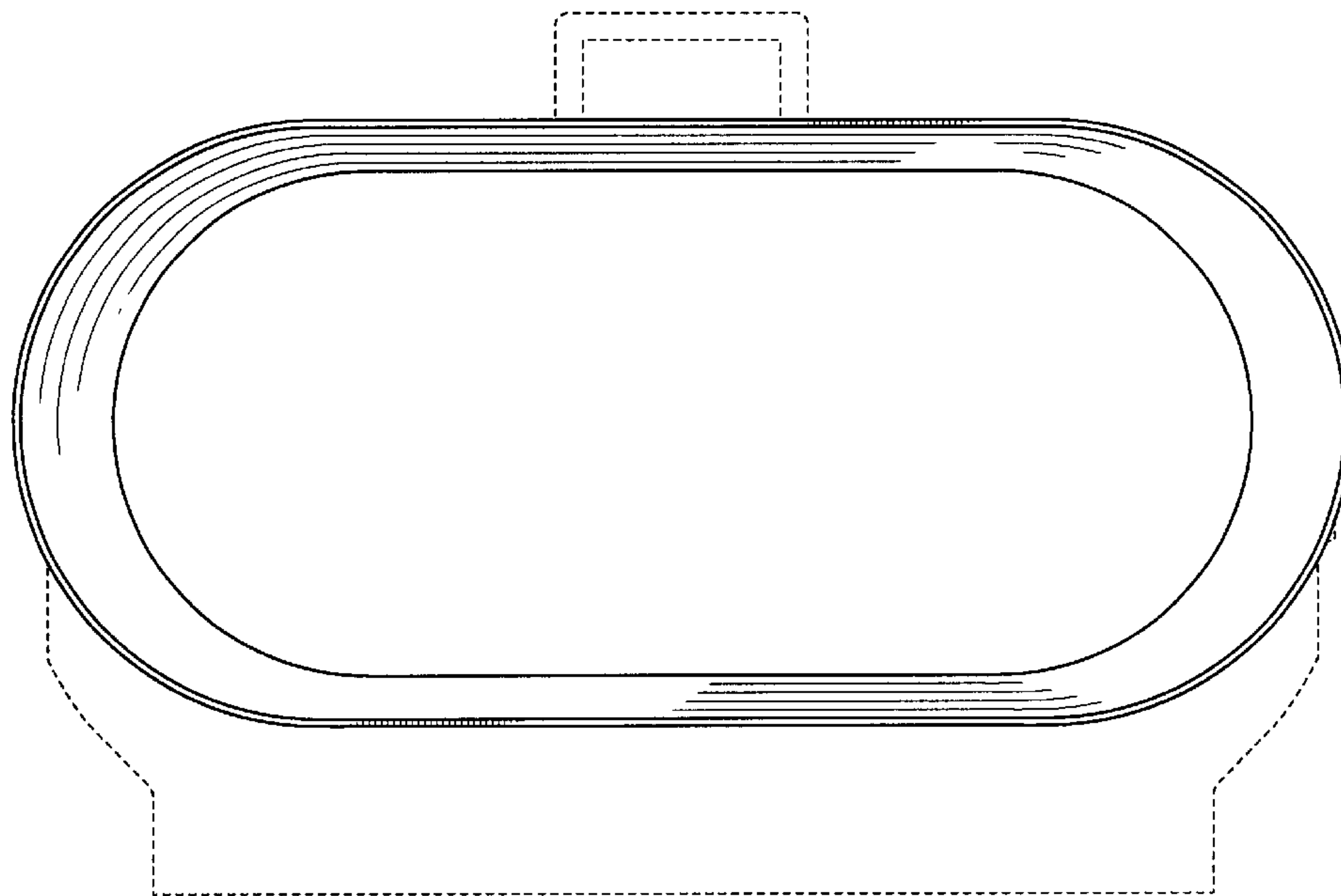


FIG. 5

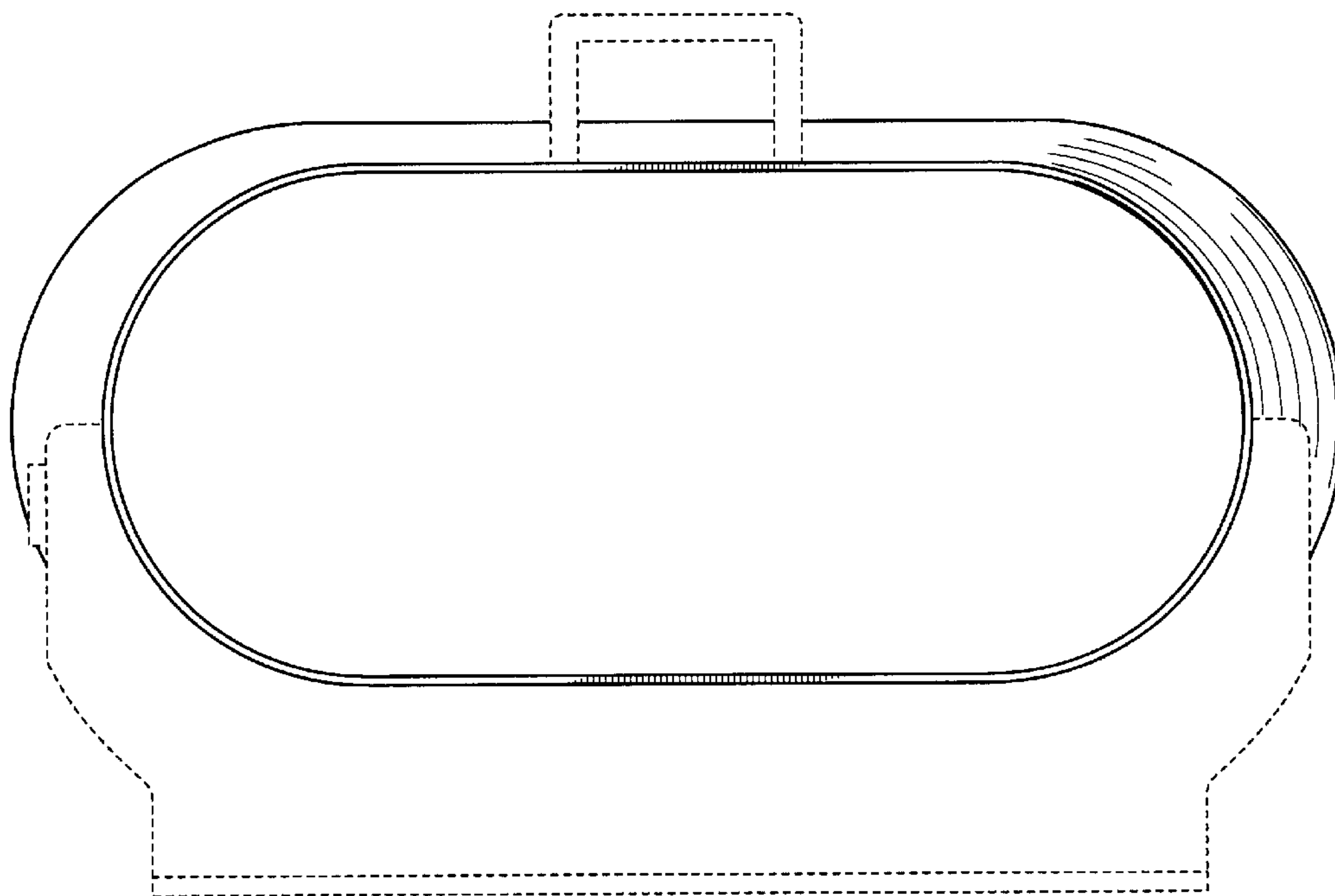


FIG. 6

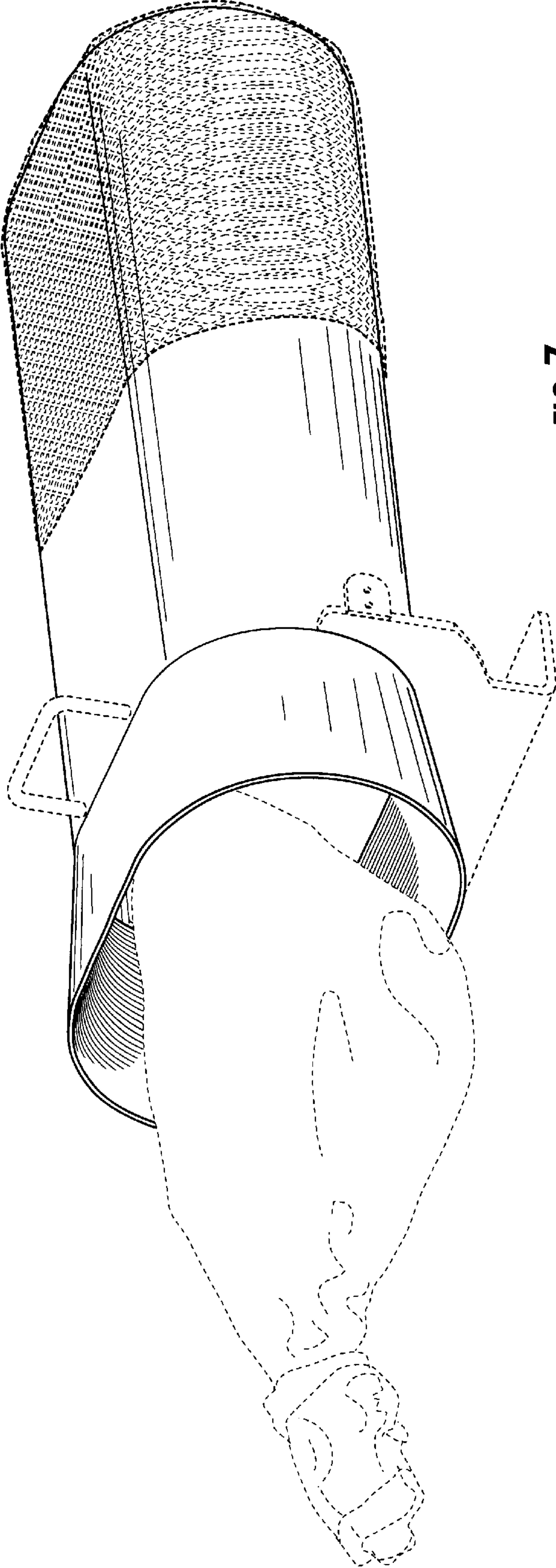


FIG. 7

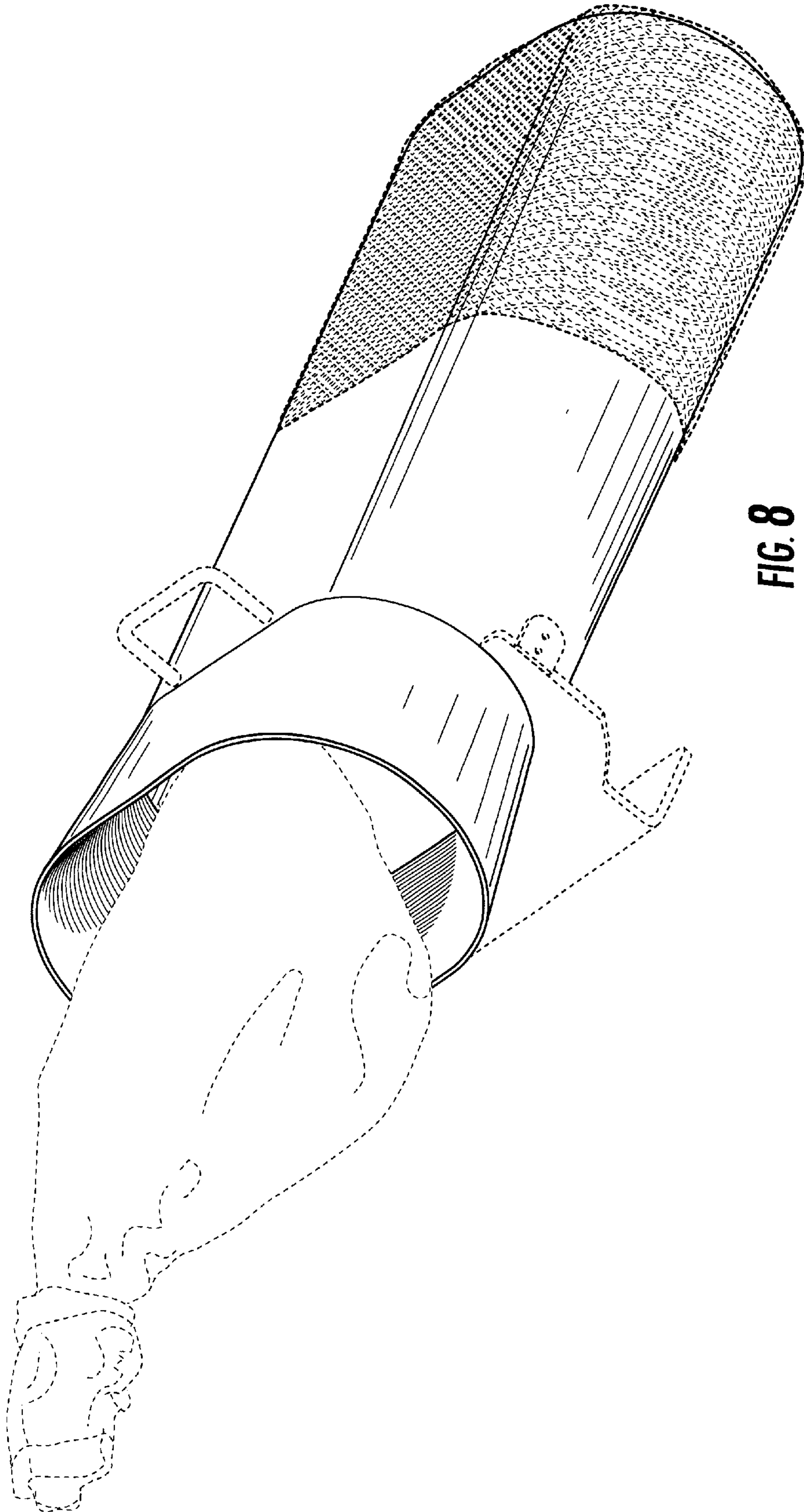


FIG. 8