



US00D508930S

(12) **United States Design Patent**  
**Crisler, III et al.**

(10) **Patent No.: US D508,930 S**

(45) **Date of Patent: \*\* Aug. 30, 2005**

(54) **WELDER**

(75) Inventors: **Howard E. Crisler, III**, Antioch, TN (US); **Roger L. DeYoung**, Franklin, TN (US); **David J. Moore**, Mt. Juliet, TN (US); **Brian L. Frost**, Mt. Juliet, TN (US)

(73) Assignee: **Campbell Hausfeld/Scott Fetzer Company**, Harrison, OH (US)

(\*\*) Term: **14 Years**

(21) Appl. No.: **29/195,583**

(22) Filed: **Dec. 15, 2003**

(51) **LOC (8) Cl. .... 15-09**

(52) **U.S. Cl. .... D15/144**

(58) **Field of Search .... D15/144-144.2; 219/130**

(56) **References Cited**

**U.S. PATENT DOCUMENTS**

D280,329 S \* 8/1985 Bouman ..... D15/144  
5,208,436 A \* 5/1993 Blankenship ..... 219/121.54

5,747,773 A \* 5/1998 Griffin et al. .... 219/130.1  
D475,726 S \* 6/2003 Suga et al. .... D15/144  
2003/0213789 A1 \* 11/2003 Andersen et al. .... 219/130.1

\* cited by examiner

*Primary Examiner*—Antoine D. Davis

(74) *Attorney, Agent, or Firm*—Jones Day

(57) **CLAIM**

The ornamental design for a welder, as shown and described.

**DESCRIPTION**

FIG. 1 is a perspective view of a welder embodying the ornamental design of the present invention;

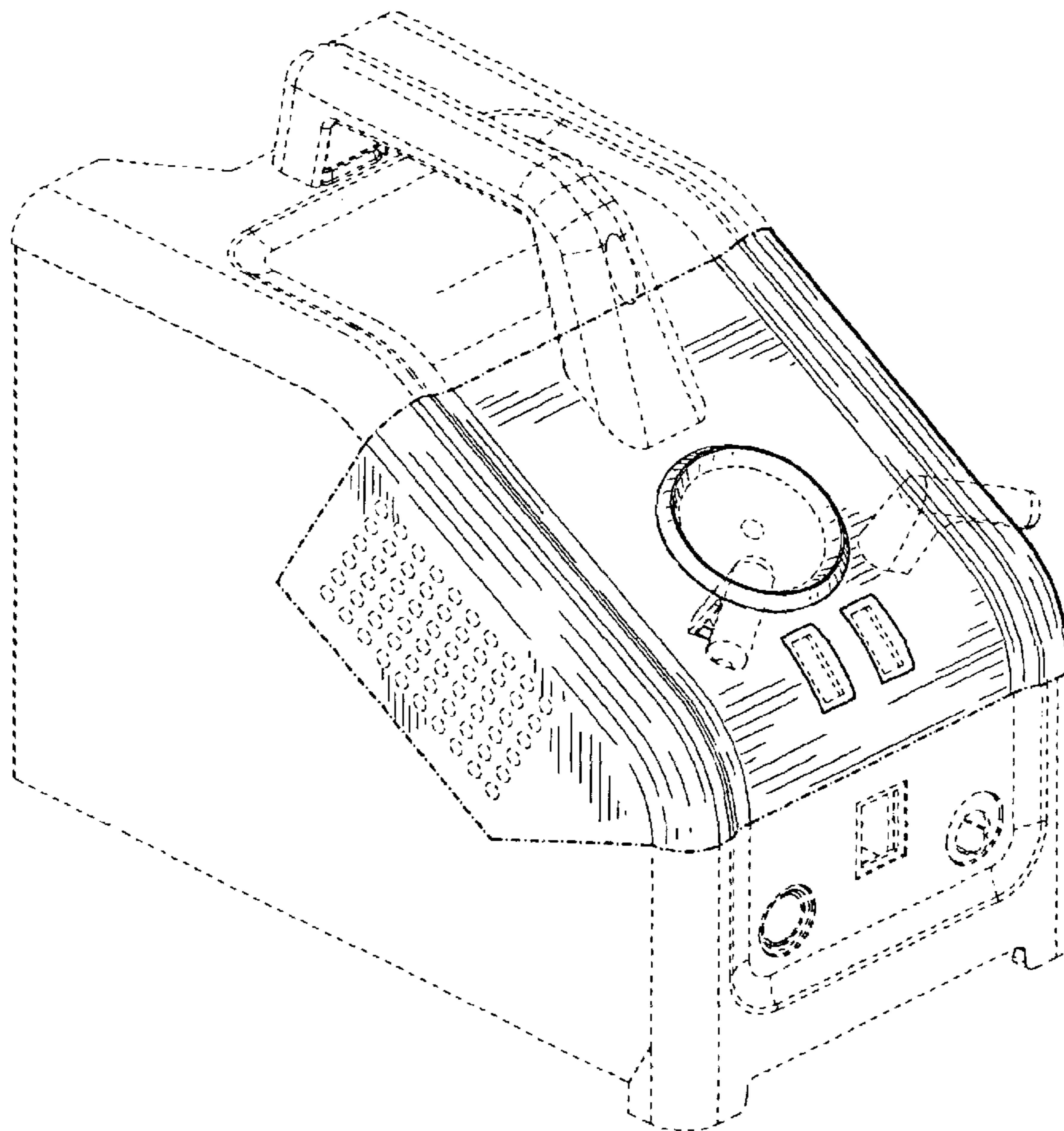
FIG. 2 is a side view of the welder, the opposite side view being a mirror image;

FIG. 3 is front view of the welder; and,

FIG. 4 is a top view of the welder.

The broken lines in FIGS. 1-4 are for illustrative purposes only and form no part of the claimed design. More specifically, dashed broken lines define unclaimed features. Dot-dash broken lines, drawn with heavier weight than the dashed broken lines, define boundaries of the claimed design.

**1 Claim, 3 Drawing Sheets**



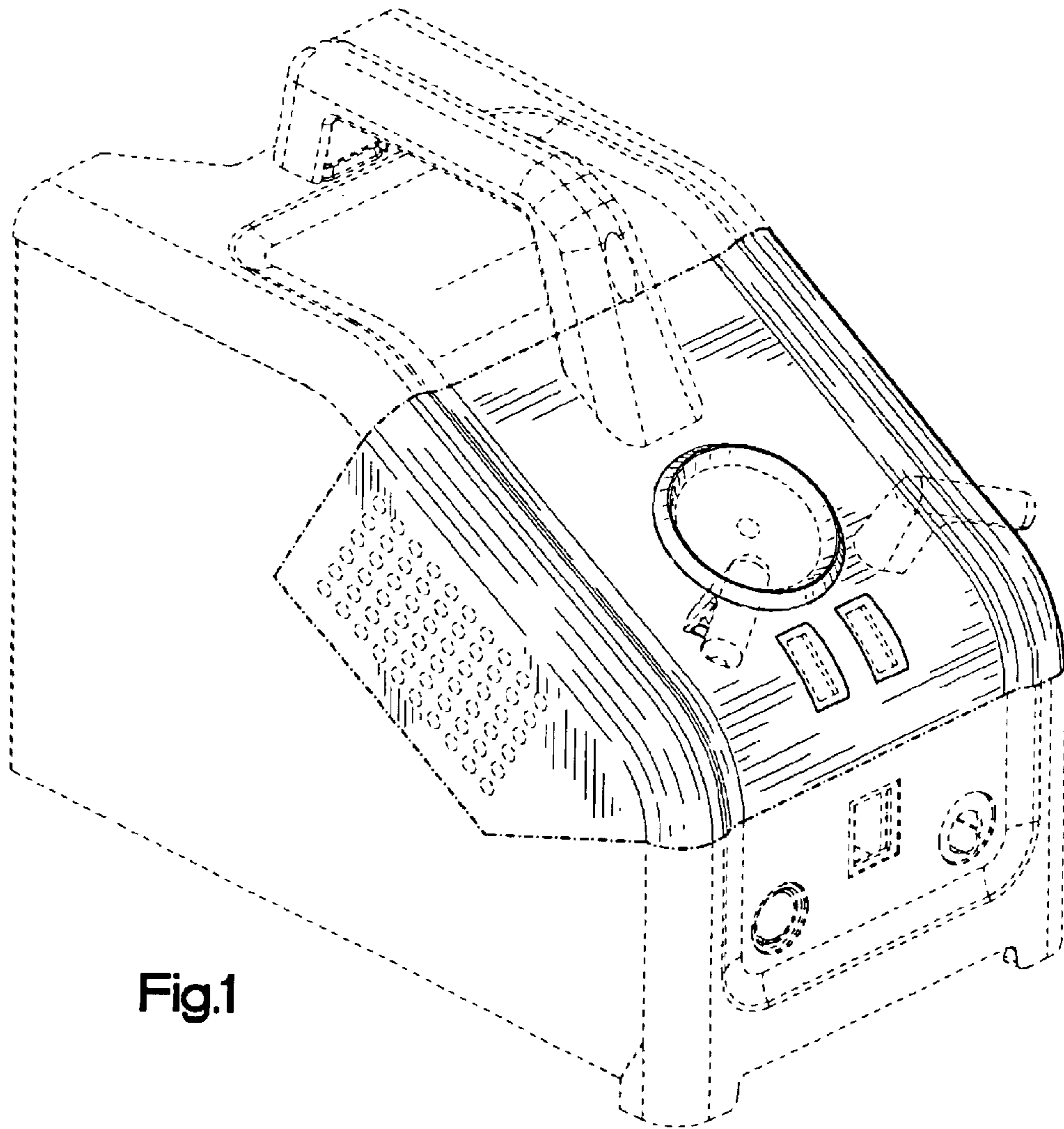


Fig.1

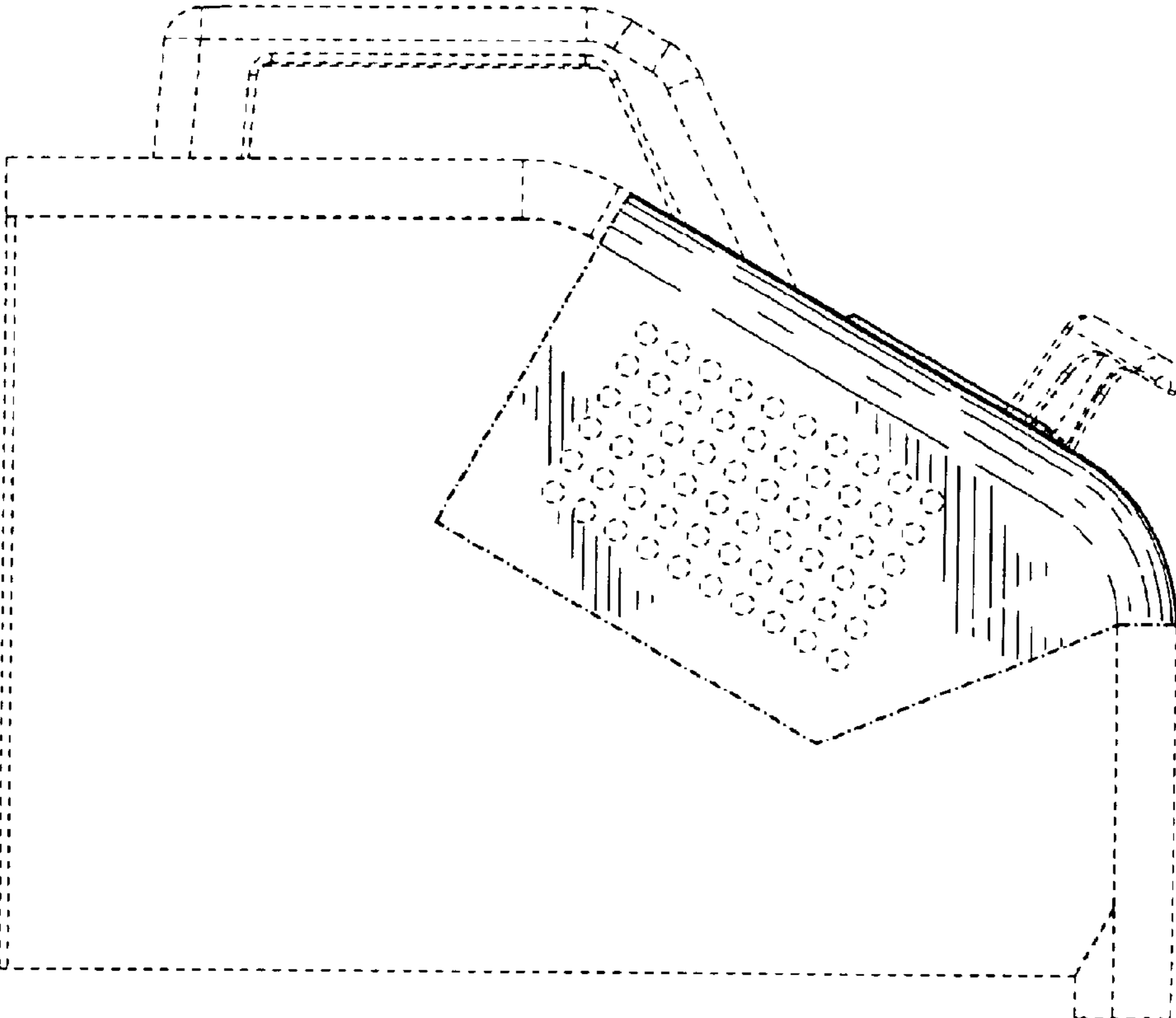


Fig.2

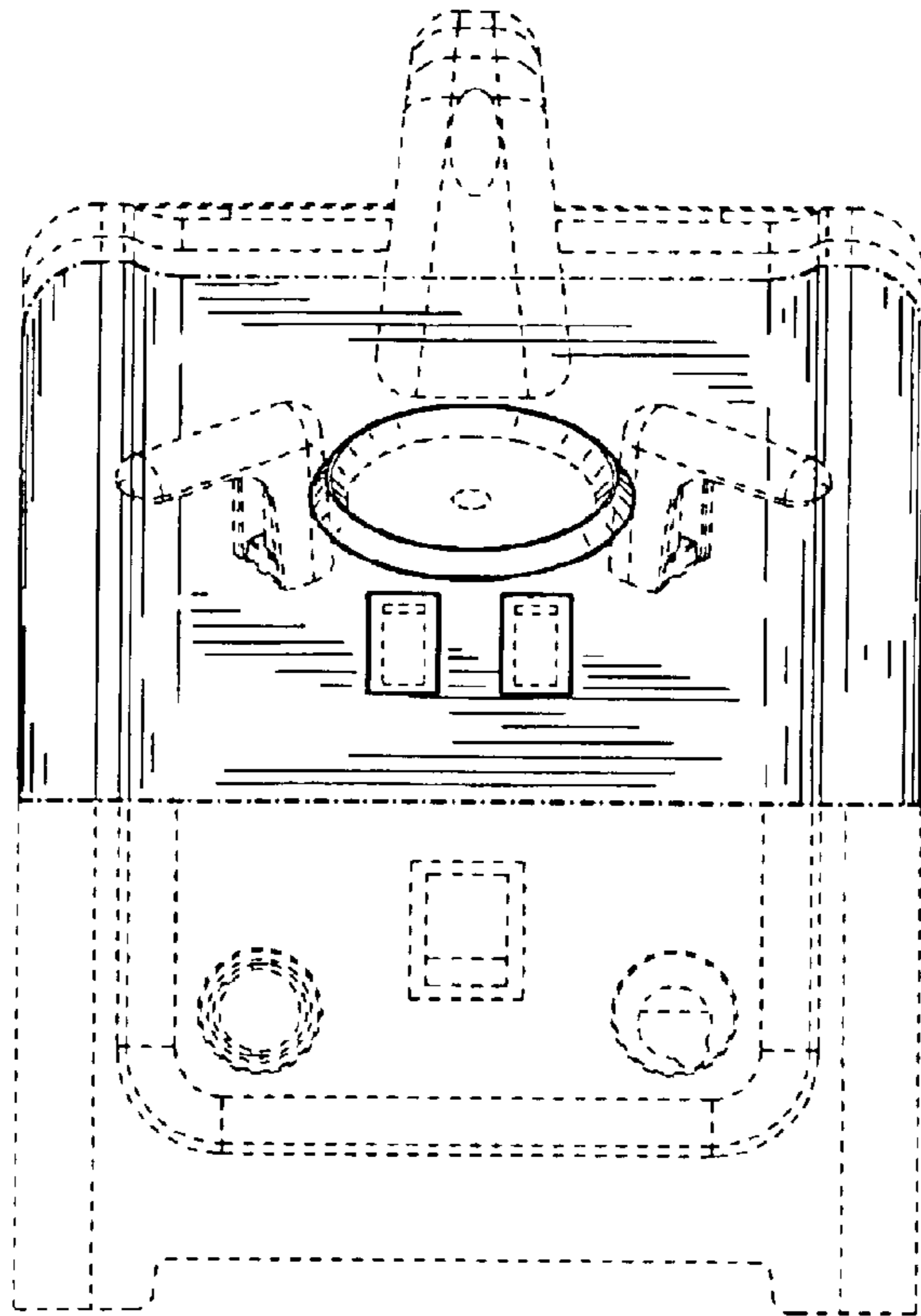


Fig.3

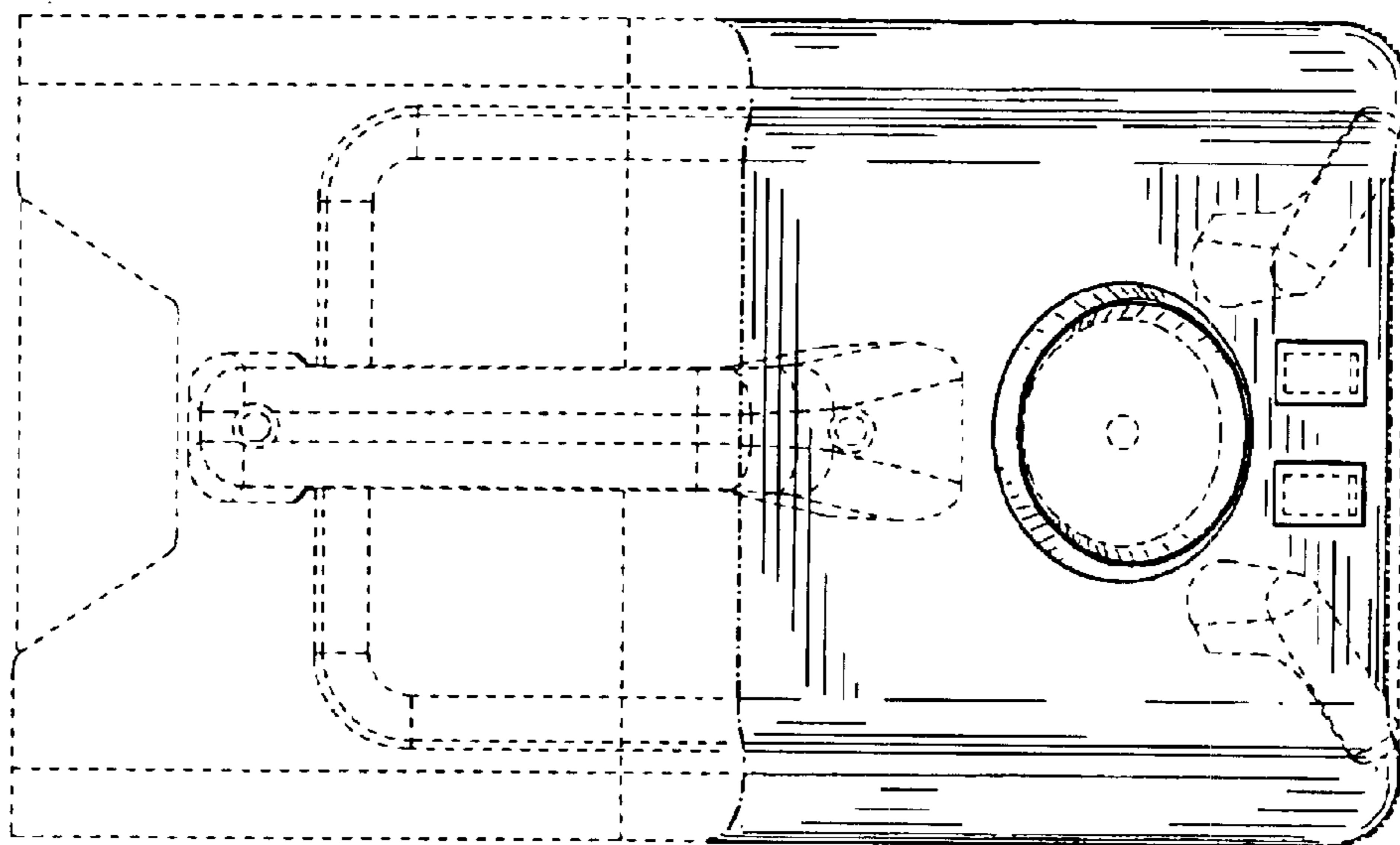


Fig.4