



US00D508929S

(12) **United States Design Patent**
Wu

(10) **Patent No.:** **US D508,929 S**
(45) **Date of Patent:** **** Aug. 30, 2005**

(54) **TILE CUTTER**

D485,284 S * 1/2004 Coli D15/133

(75) Inventor: **Shuming Wu**, Nanjing (CN)

* cited by examiner

(73) Assignee: **Nanjing Chervon Industry Co., Ltd.**,
Nanjing Jiangsu (CN)

Primary Examiner—Antoine D. Davis
(74) *Attorney, Agent, or Firm*—Lowe Hauptman & Berner,
LLP

(**) Term: **14 Years**

(57) **CLAIM**

(21) Appl. No.: **29/217,020**

The ornamental design for a tile cutter, as shown and described.

(22) Filed: **Nov. 12, 2004**

(30) **Foreign Application Priority Data**

DESCRIPTION

Jun. 1, 2004 (CN) 200430019110

(51) **LOC (8) Cl.** **15-09**

FIG. 1 is a front elevational view of the design;
FIG. 2 is a rear elevational view of the tile cutter in FIG. 1;
FIG. 3 is a right side elevational view of the tile cutter in FIG. 1;
FIG. 4 is a left side elevational view of the tile cutter in FIG. 1;
FIG. 5 is a top plan view of the tile cutter in FIG. 1; and,
FIG. 6 is a bottom plan view of the tile cutter in FIG. 1.

(52) **U.S. Cl.** **D15/133**

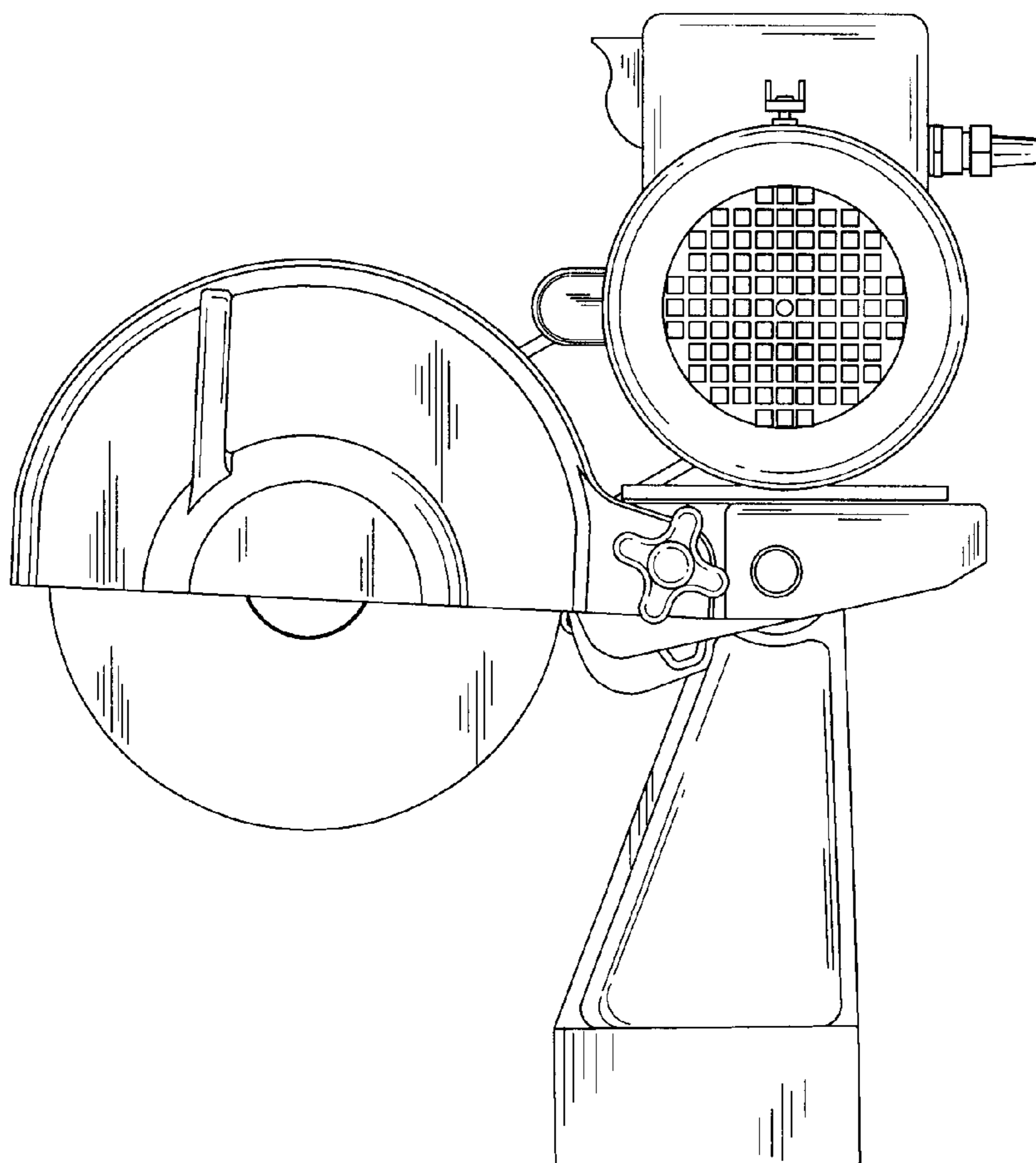
(58) **Field of Search** D15/127, 133;
83/171, 372; 125/12, 13.1–13.3, 14–15,
16.1–16.4; 451/11, 360, 411

(56) **References Cited**

U.S. PATENT DOCUMENTS

D484,895 S * 1/2004 Coli D15/133

1 Claim, 6 Drawing Sheets



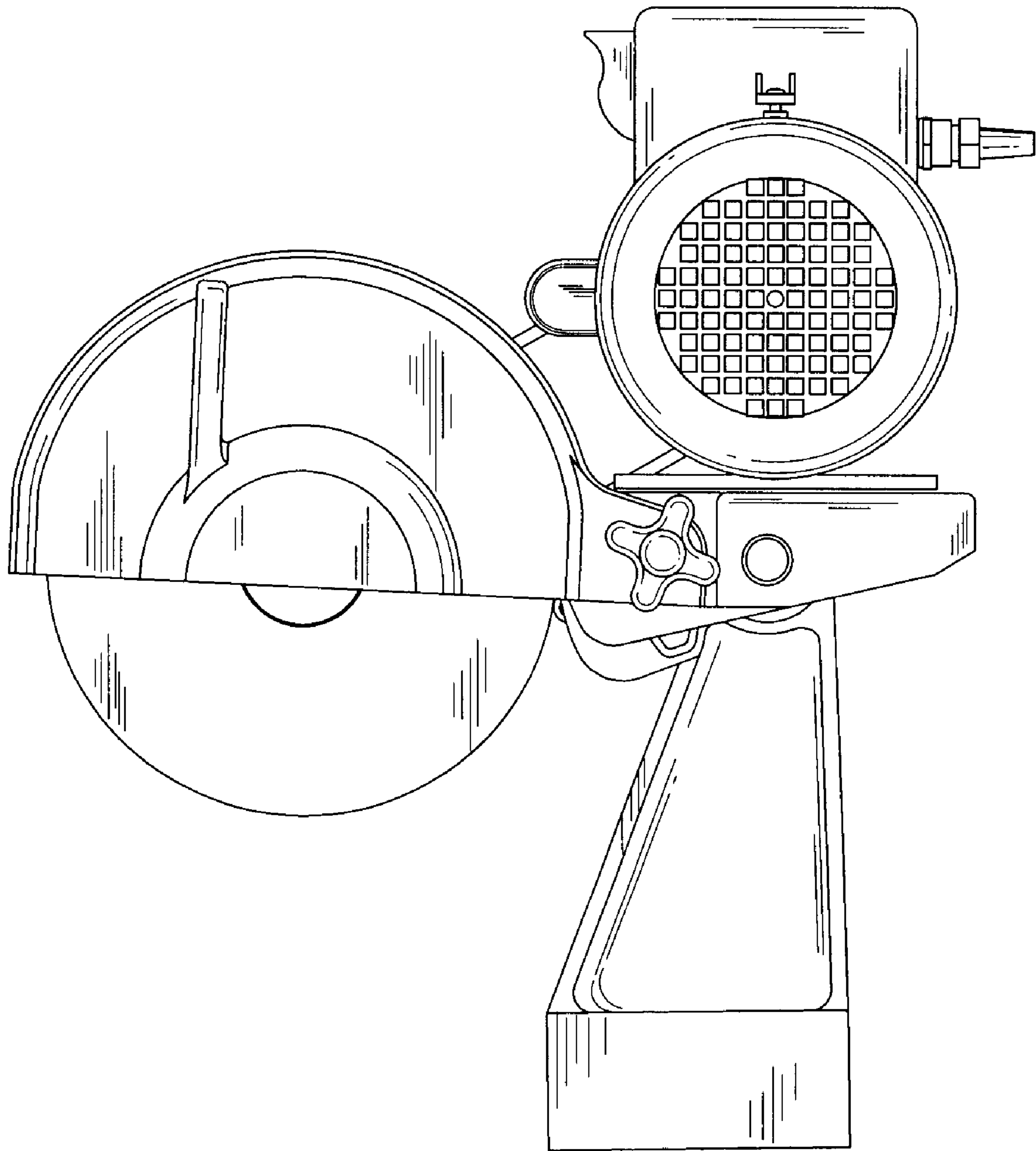


FIG. 1

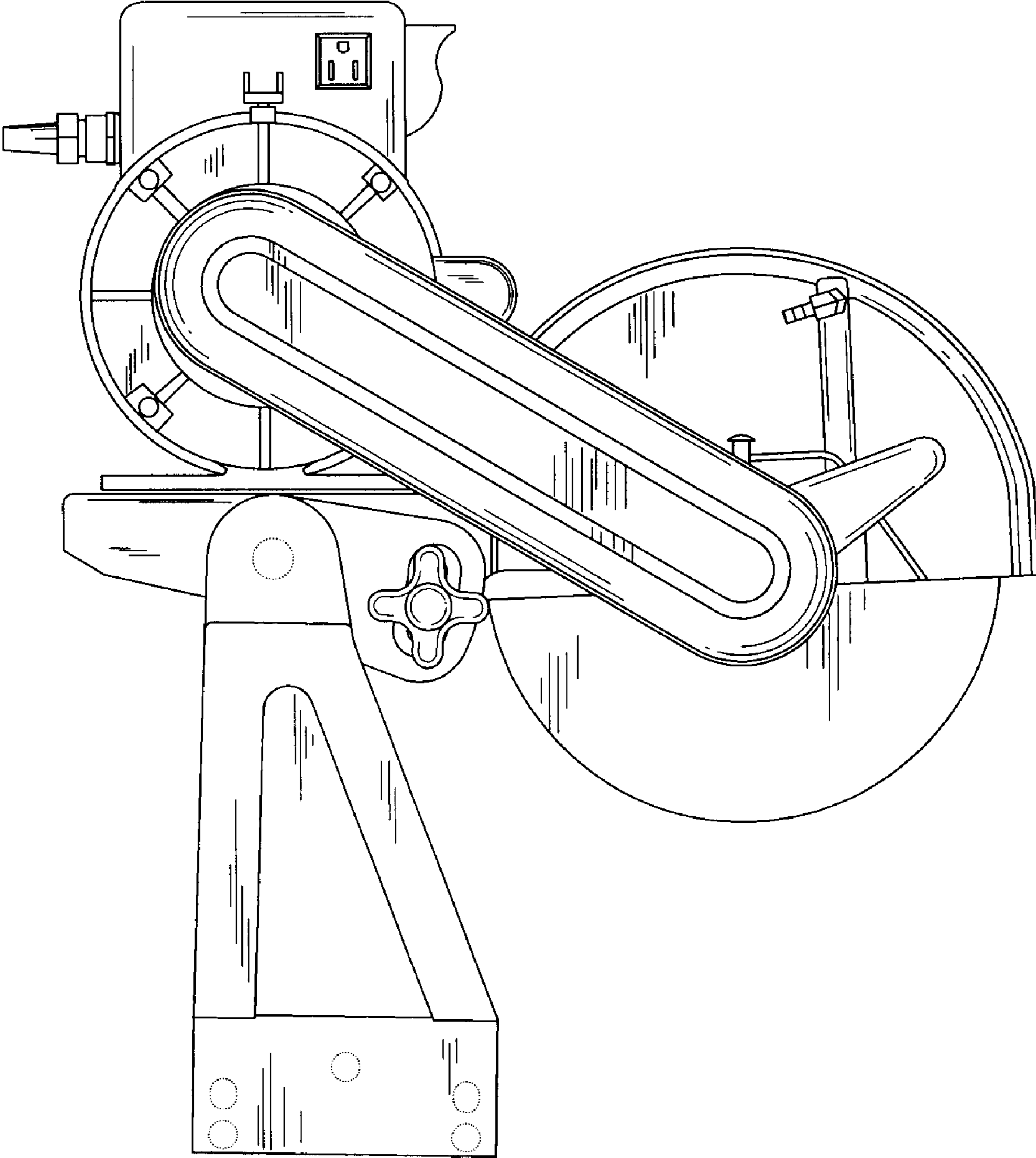


FIG. 2

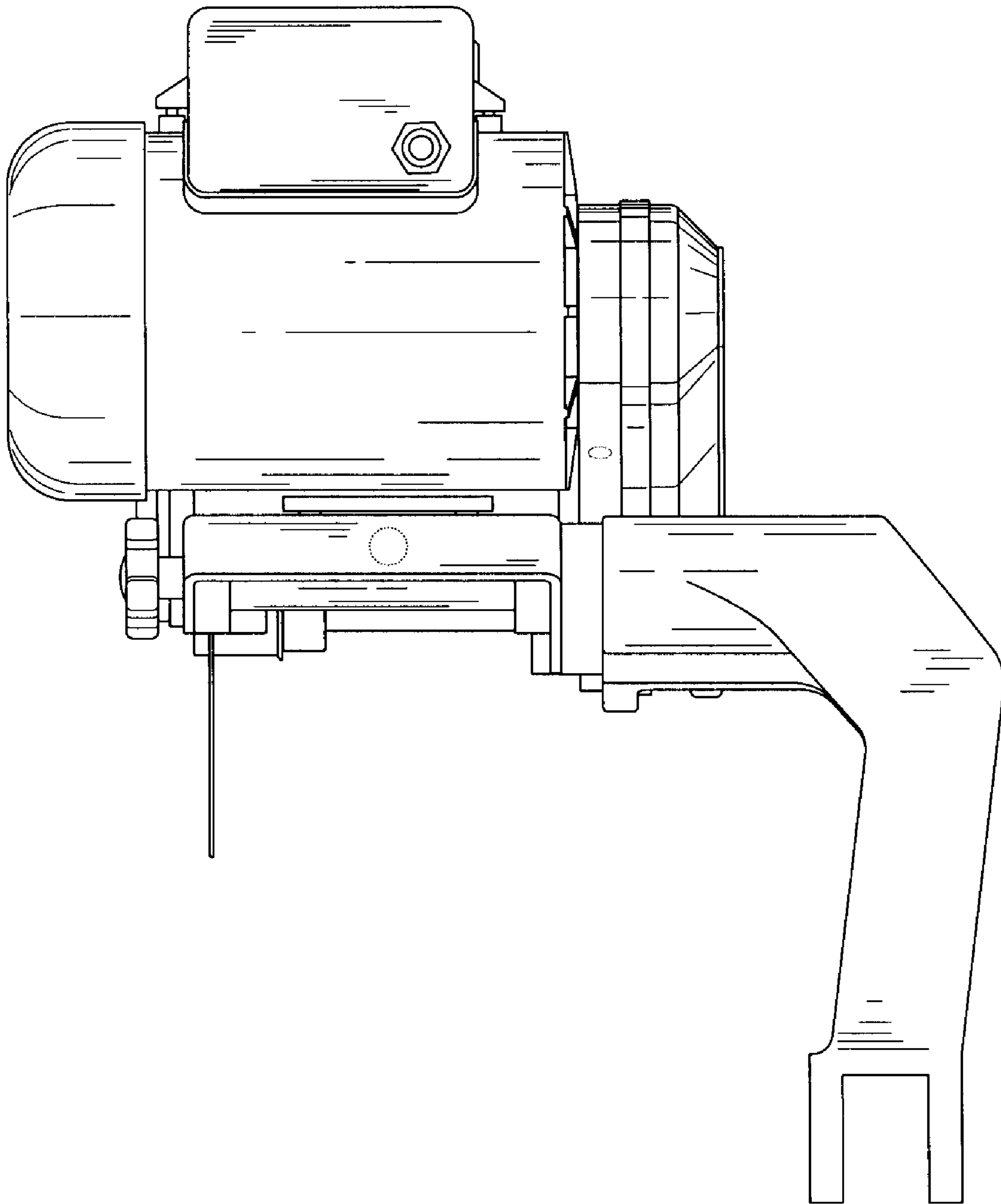


FIG. 3

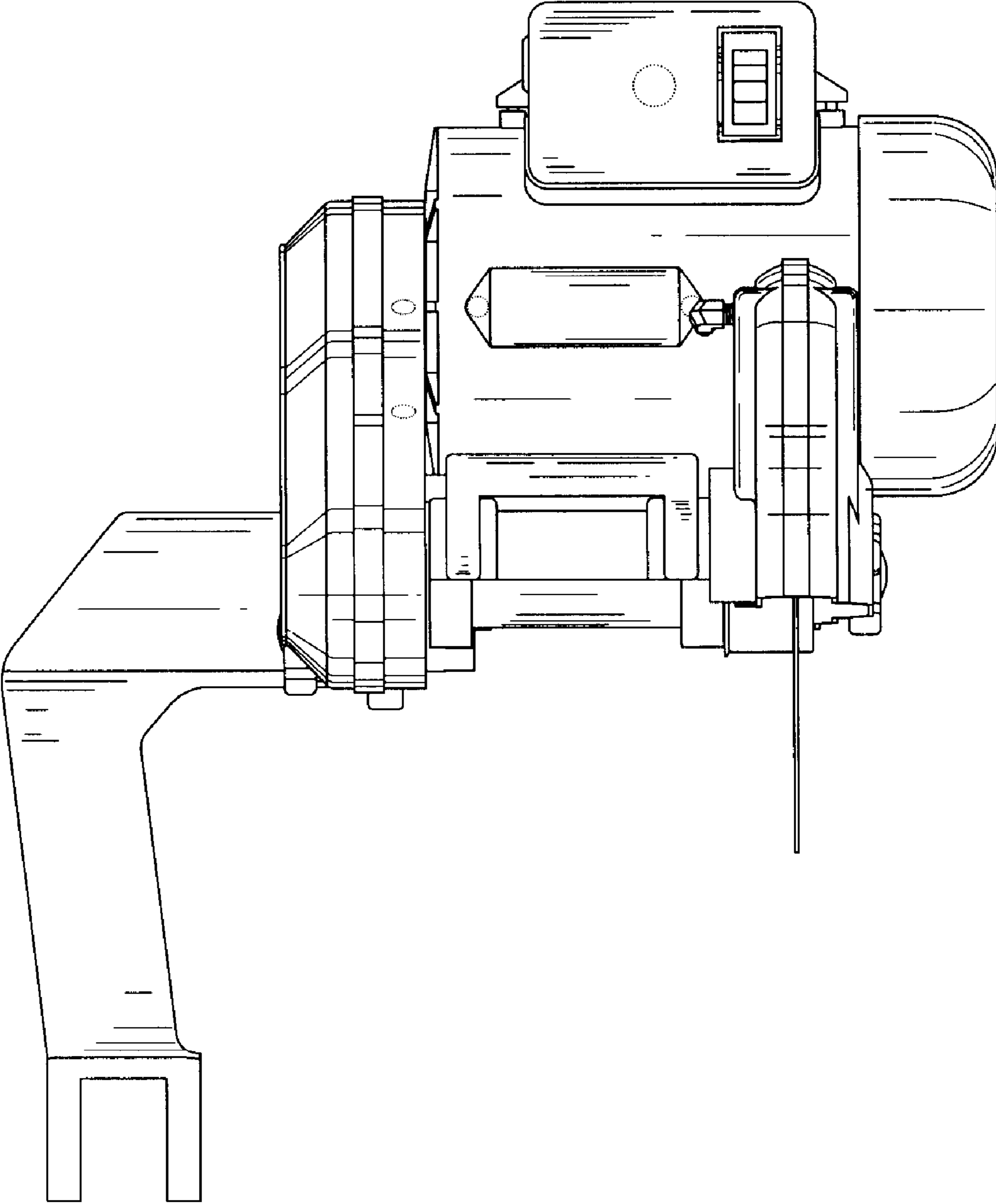


FIG. 4

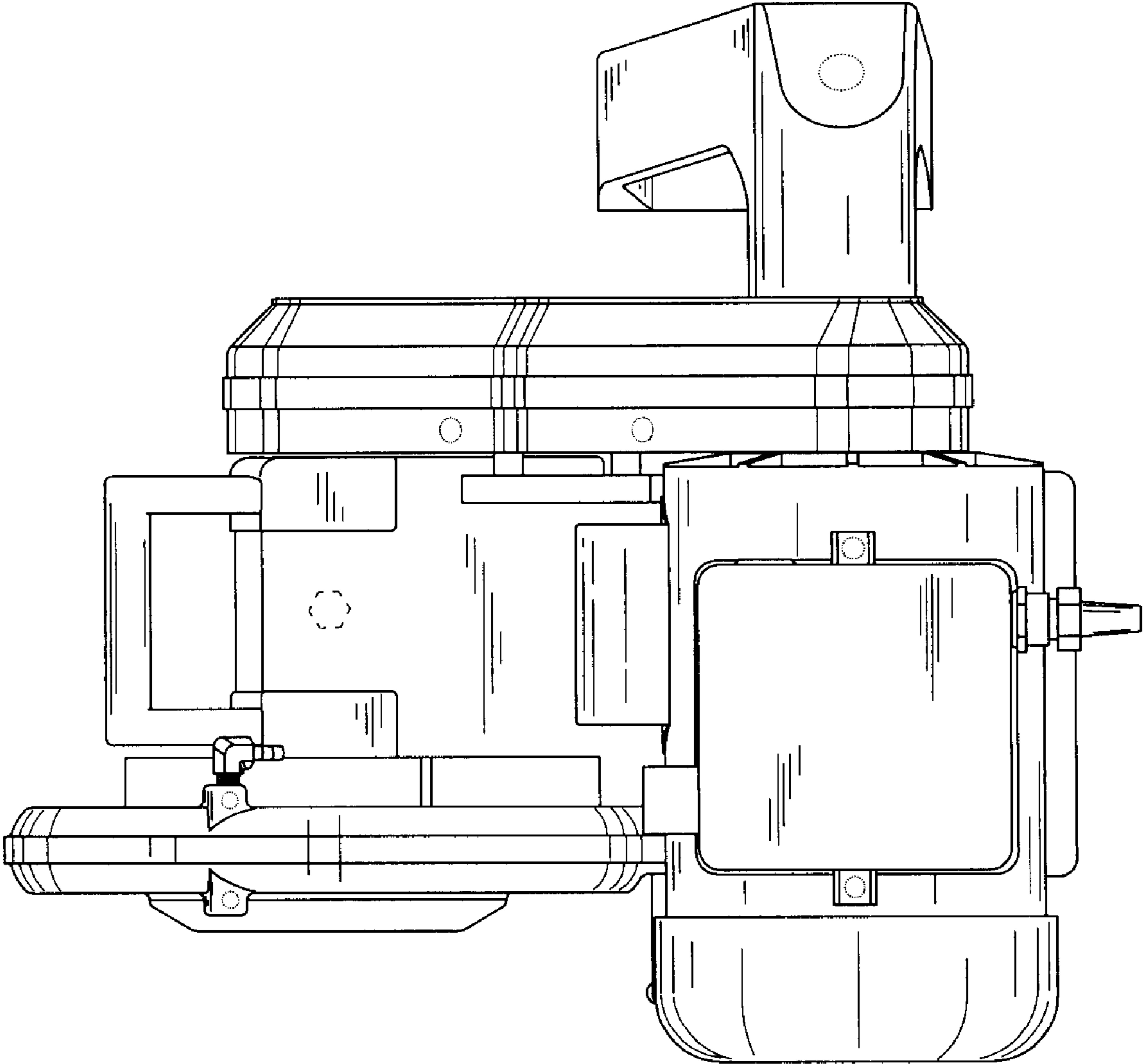


FIG. 5

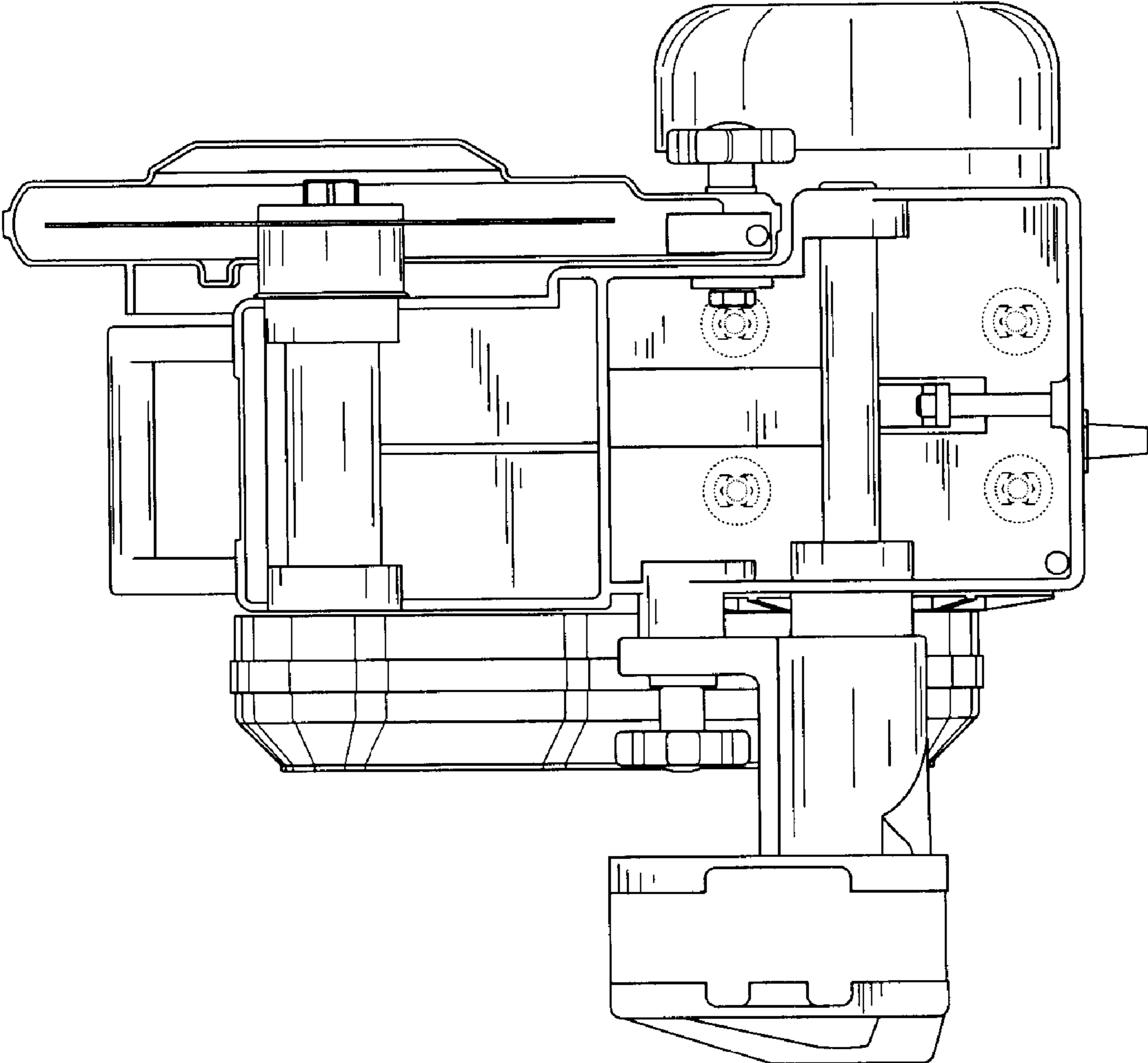


FIG. 6