

US00D508928S

(12) **United States Design Patent**
Chen

(10) **Patent No.:** **US D508,928 S**

(45) **Date of Patent:** **** Aug. 30, 2005**

(54) **CUTTER**

6,782,882 B1 * 8/2004 Chen 125/13.01

(76) **Inventor:** **Yuehting Chen**, P.O. Box 697,
Fongyuan City, Taichung County (TW),
420

* cited by examiner

Primary Examiner—Antoine D. Davis

(**) **Term:** **14 Years**

(57) **CLAIM**

The ornamental design for a cutter, as shown.

(21) **Appl. No.:** **29/213,949**

DESCRIPTION

(22) **Filed:** **Sep. 27, 2004**

(51) **LOC (8) Cl.** **15-09**

(52) **U.S. Cl.** **D15/133**

(58) **Field of Search** D15/133; 83/169;
125/13.01; 431/344, 450

FIG. 1 is a perspective view of a cutter showing my new design;

FIG. 2 is a right side elevational view thereof;

FIG. 3 is a top plan view thereof;

FIG. 4 is a front elevational view thereof;

FIG. 5 is a bottom plan view thereof;

FIG. 6 is a left side elevational view thereof; and,

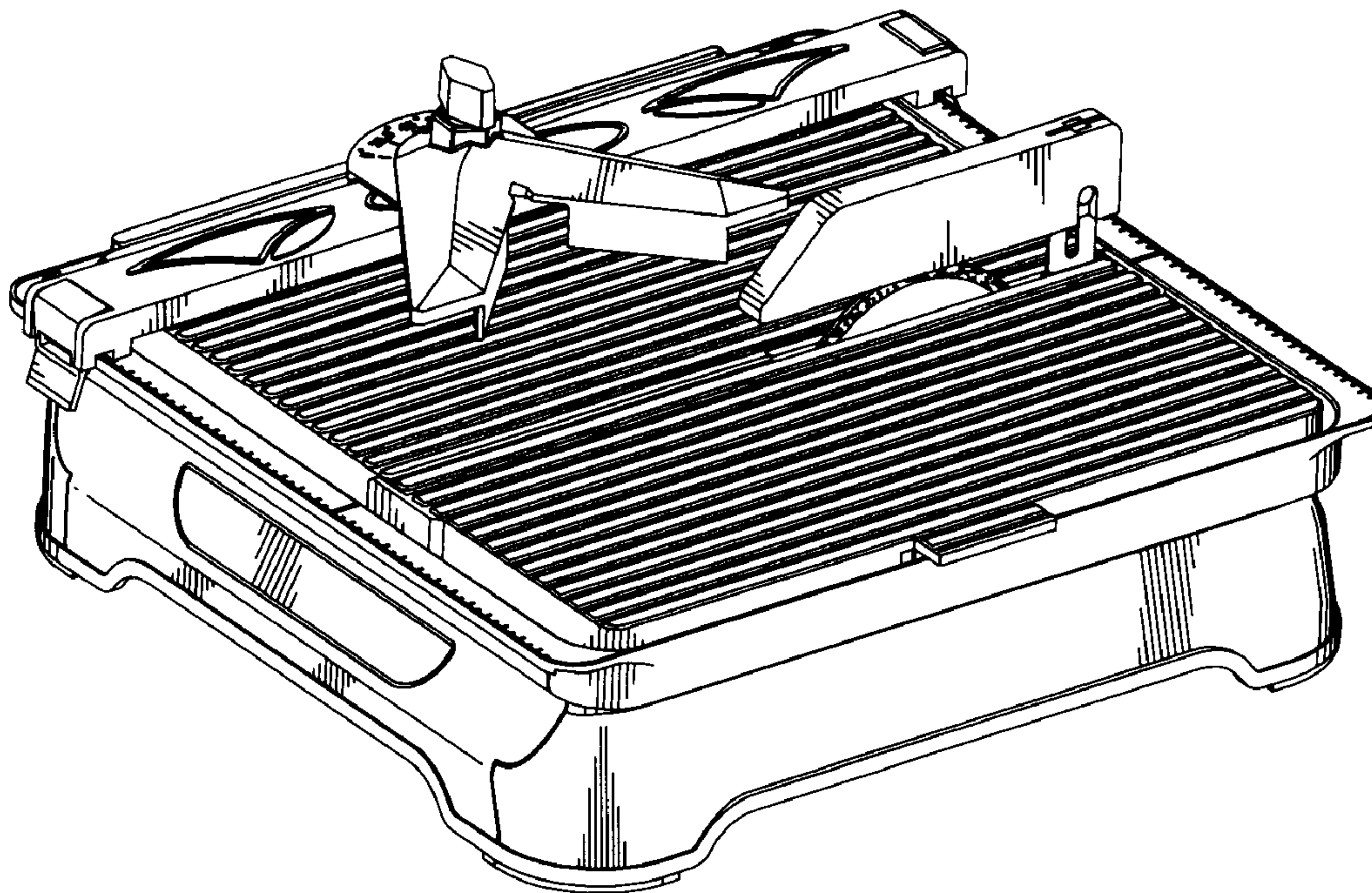
FIG. 7 is a rear elevational view thereof.

(56) **References Cited**

U.S. PATENT DOCUMENTS

D479,539 S * 9/2003 Chen D15/133

1 Claim, 4 Drawing Sheets



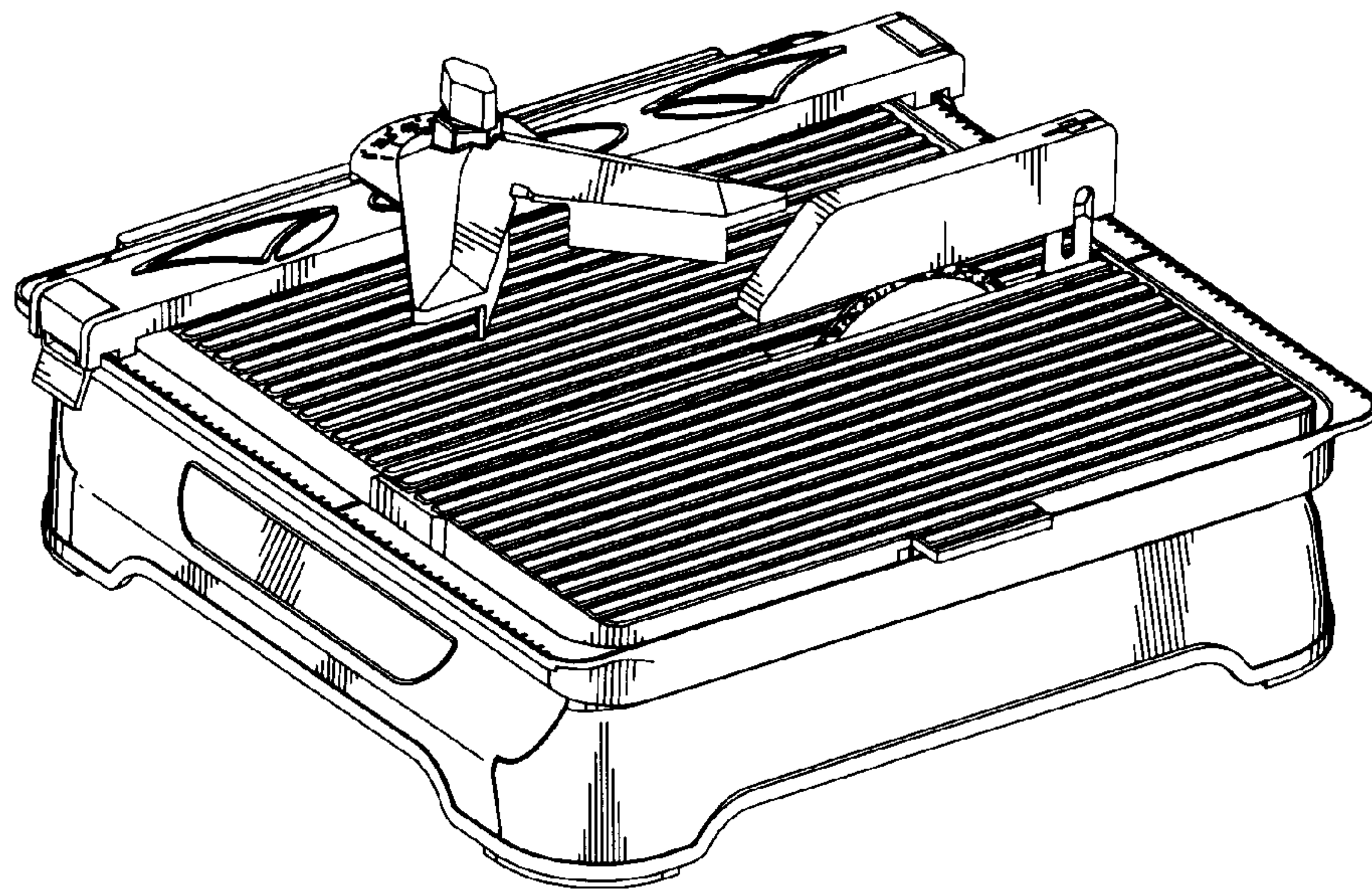


FIG. 1

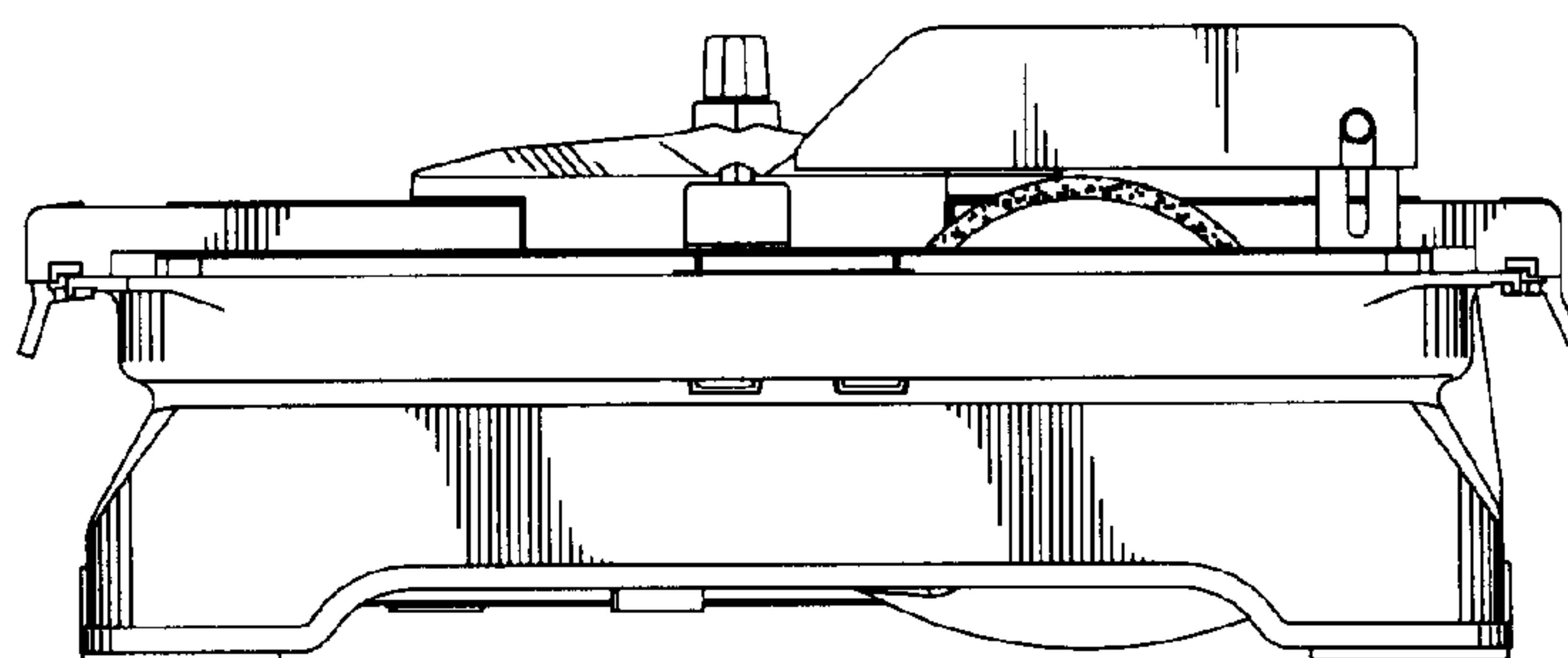


FIG. 2

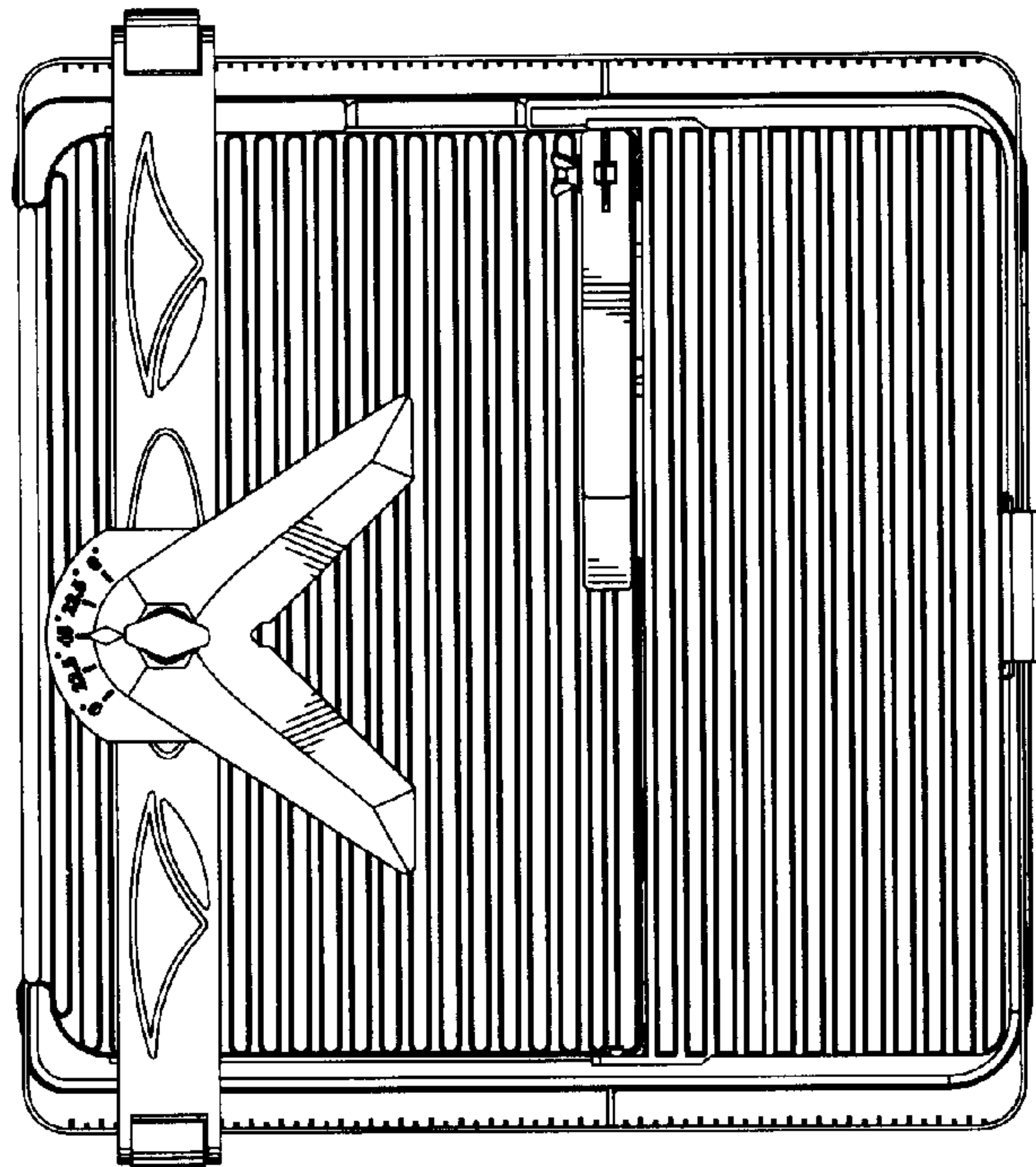


FIG. 3

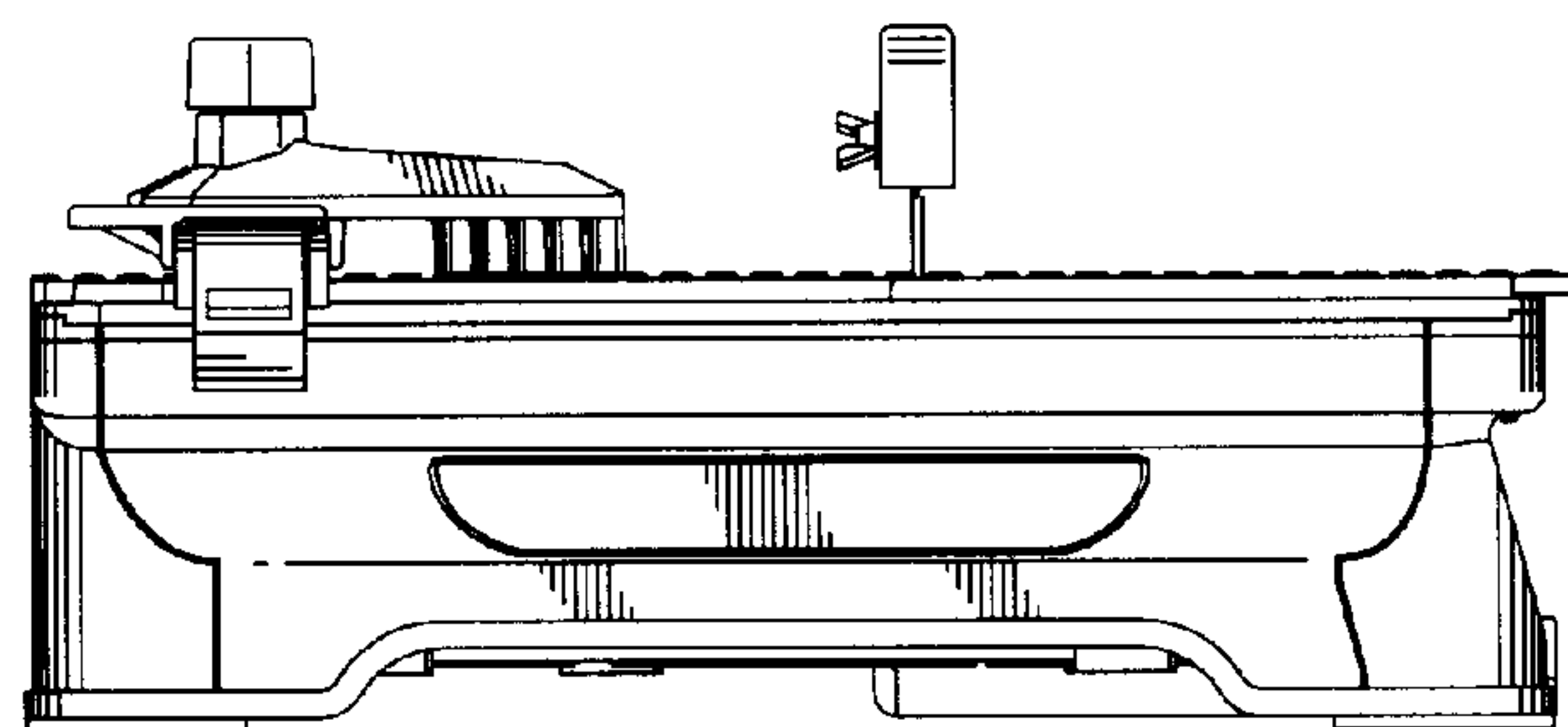


FIG. 4

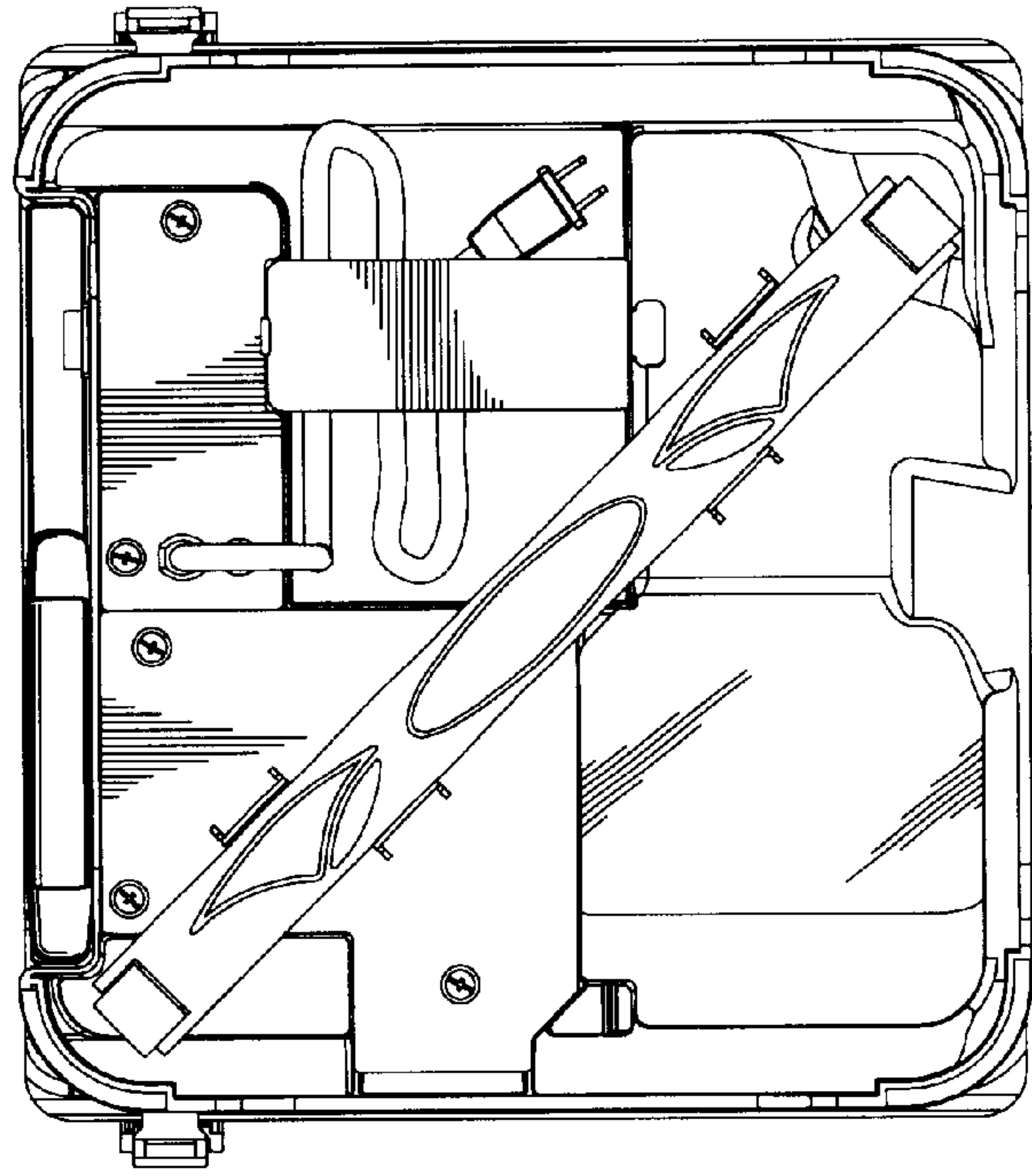


FIG. 5

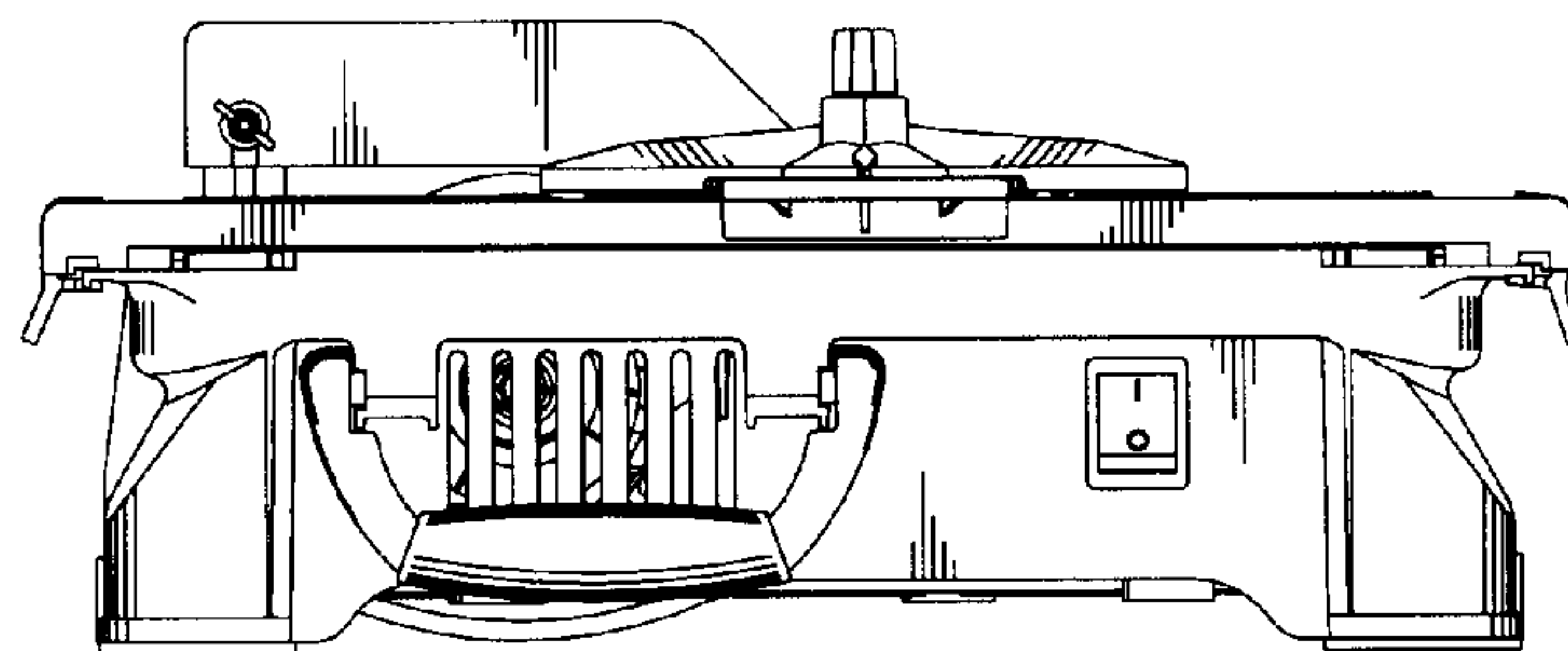


FIG. 6

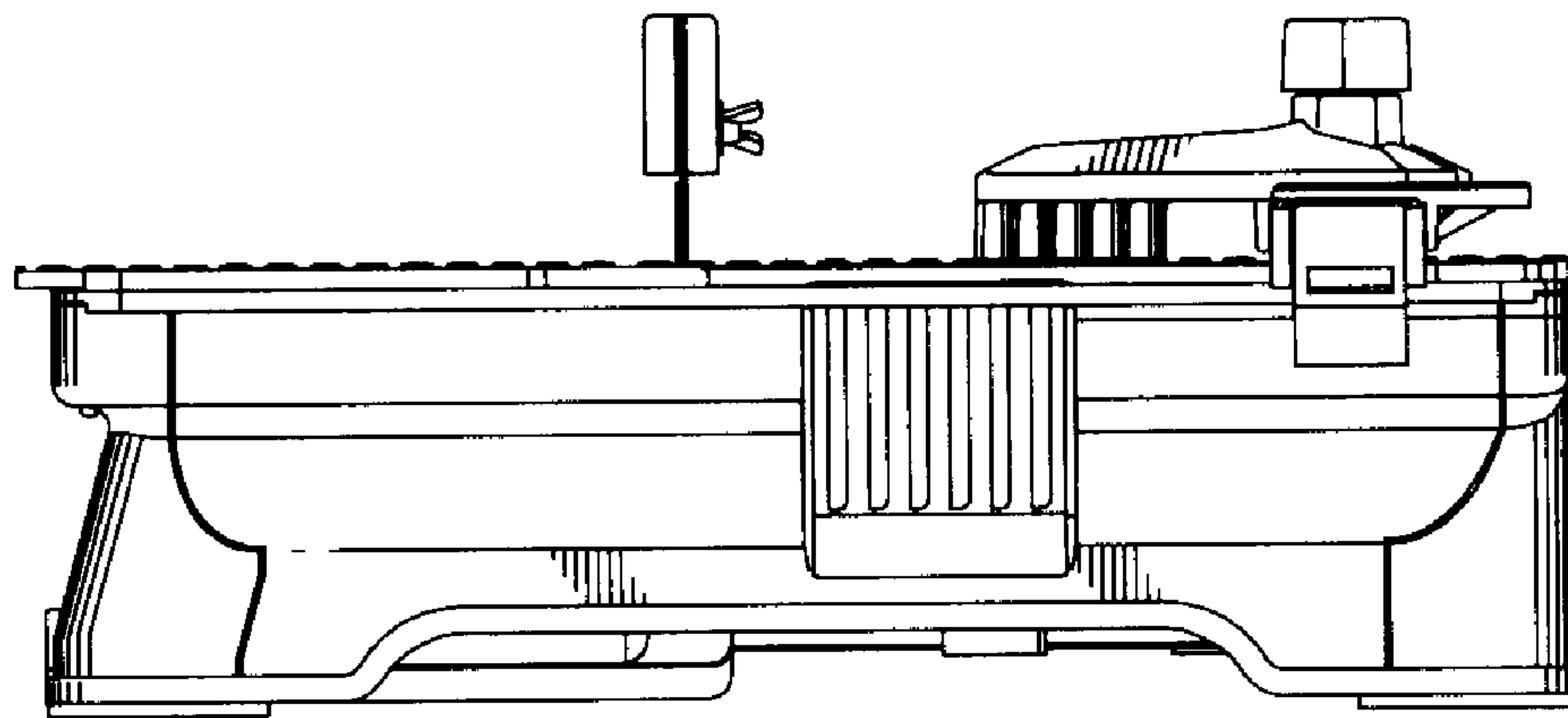


FIG. 7