



US00D508927S

(12) **United States Design Patent**
Olsen et al.

(10) **Patent No.: US D508,927 S**
(45) **Date of Patent: ** Aug. 30, 2005**

(54) **GRINDING TOOL**

DESCRIPTION

(75) Inventors: **Lars Olsen**, Kalmar (SE); **Karl Thysell**, Kalmar (SE)

(73) Assignee: **HTC Sweden AB** (SE)

(**) Term: **14 Years**

(21) Appl. No.: **29/209,462**

(22) Filed: **Jul. 16, 2004**

(51) **LOC (8) Cl.** **15-09**

(52) **U.S. Cl.** **D15/126**

(58) **Field of Search** D15/126, 138-139;
83/589, 663, 676; 451/548-551; 404/112,
113, 118, 129

FIG. 1 is a perspective view of a grinding tool showing our new design.

FIG. 2 is a top plan view of the grinding tool shown in FIG. 1 showing our new design.

FIG. 3 is a bottom plan view of the grinding tool shown in FIG. 1 showing our new design.

FIG. 4 is a front elevation view of the grinding tool shown in FIG. 1 showing our new design.

FIG. 5 is a rear elevation view of the grinding tool shown in FIG. 1 showing our new design.

FIG. 6 is a right side view of the grinding tool shown in FIG. 1 showing our new design; and,

FIG. 7 is a left side view of the grinding tool shown in FIG. 1 showing our new design.

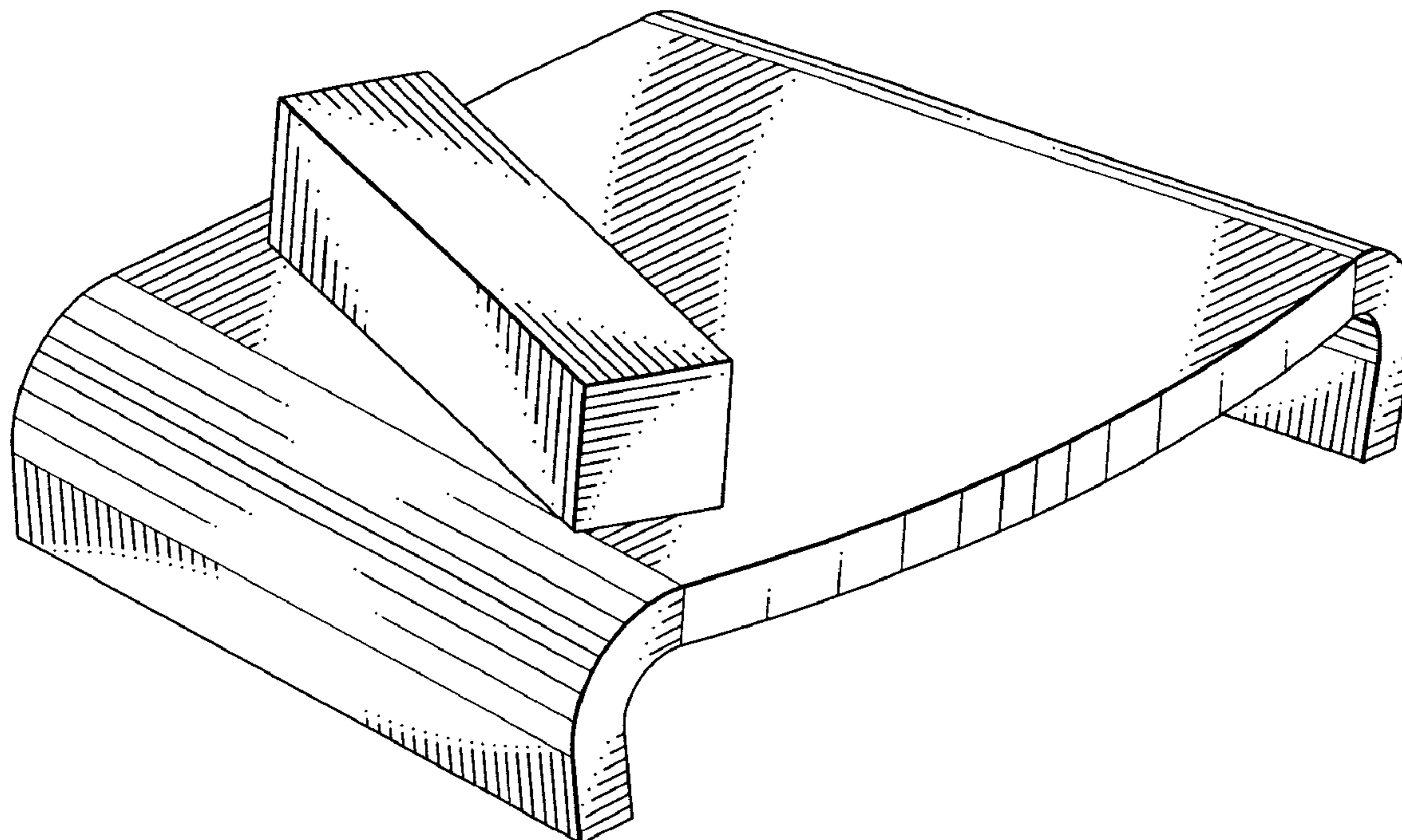
Primary Examiner—Antoine D. Davis

(74) *Attorney, Agent, or Firm*—Michael G. Johnston;
Moore & Van Allen PLLC

(57) **CLAIM**

The ornamental design for a grinding tool, as shown and described.

1 Claim, 4 Drawing Sheets



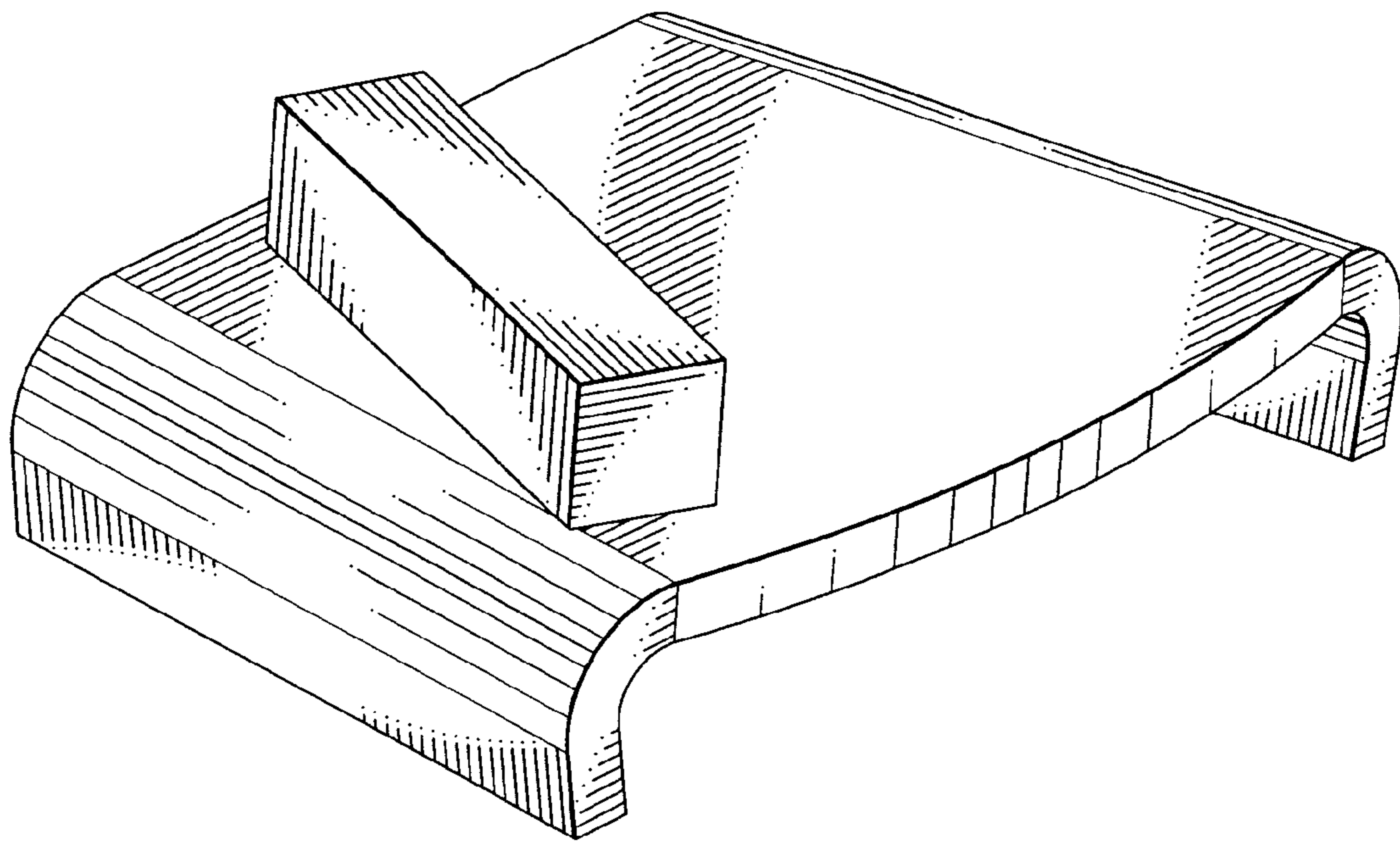


FIG. 1

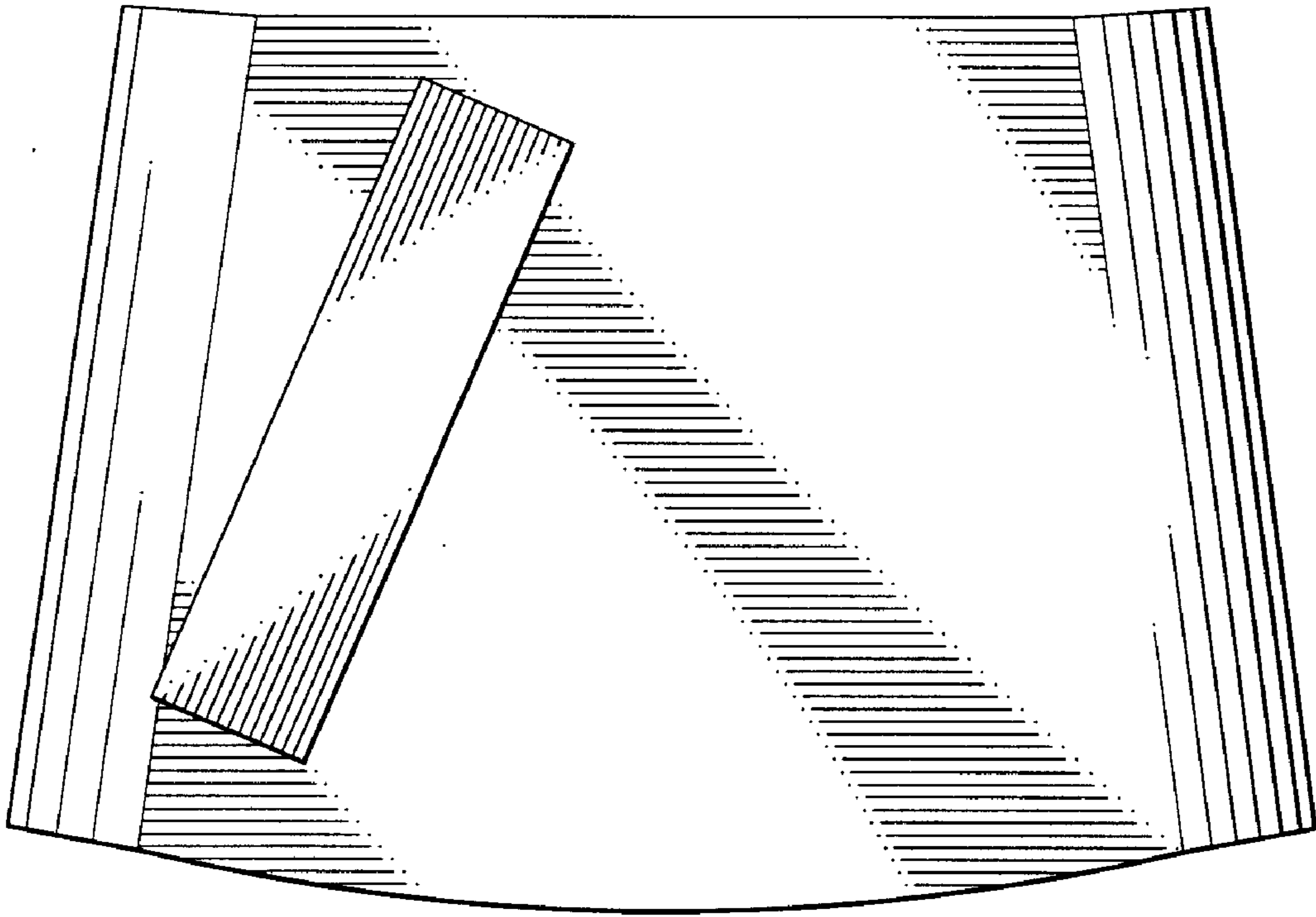


FIG. 2

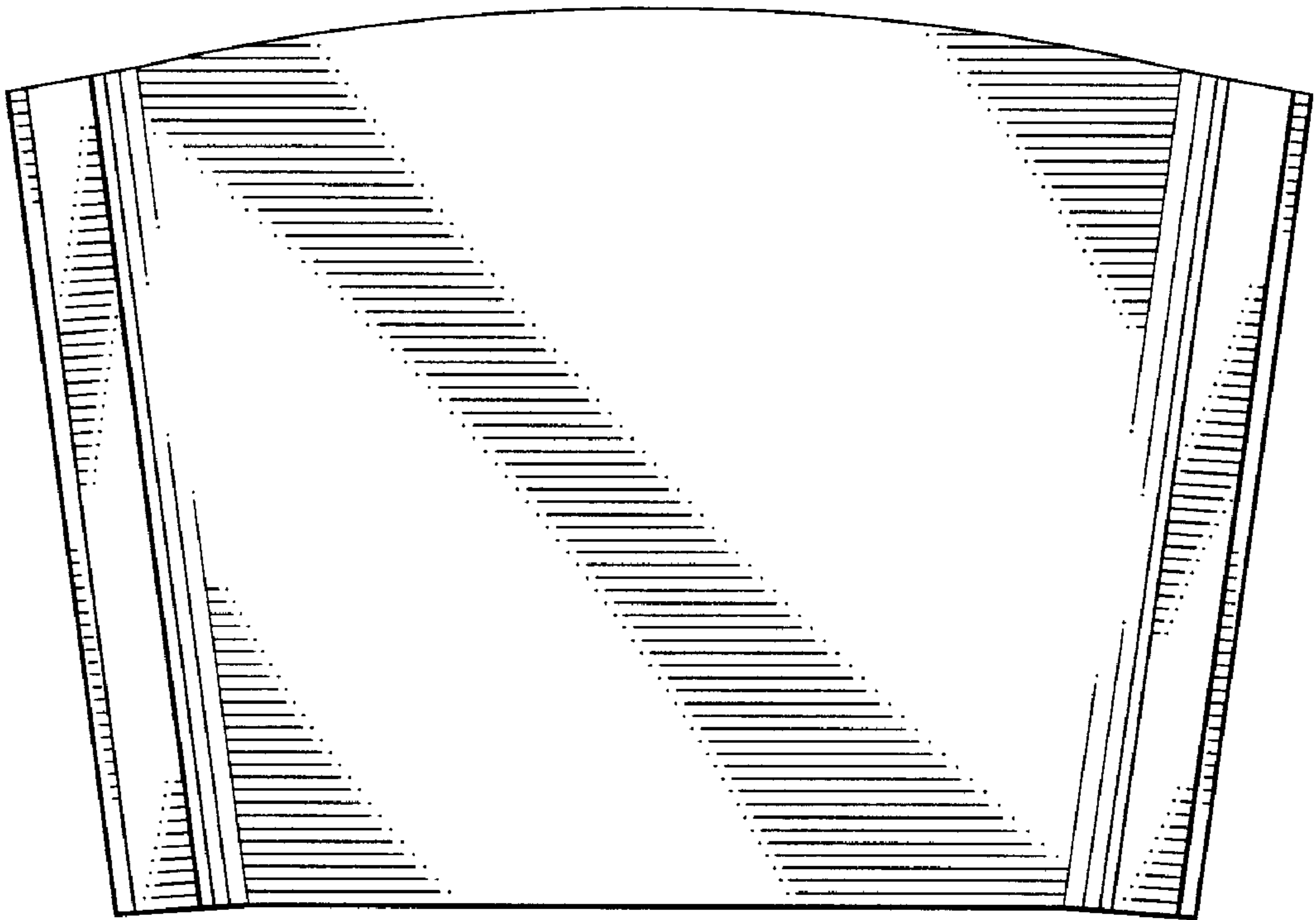


FIG. 3

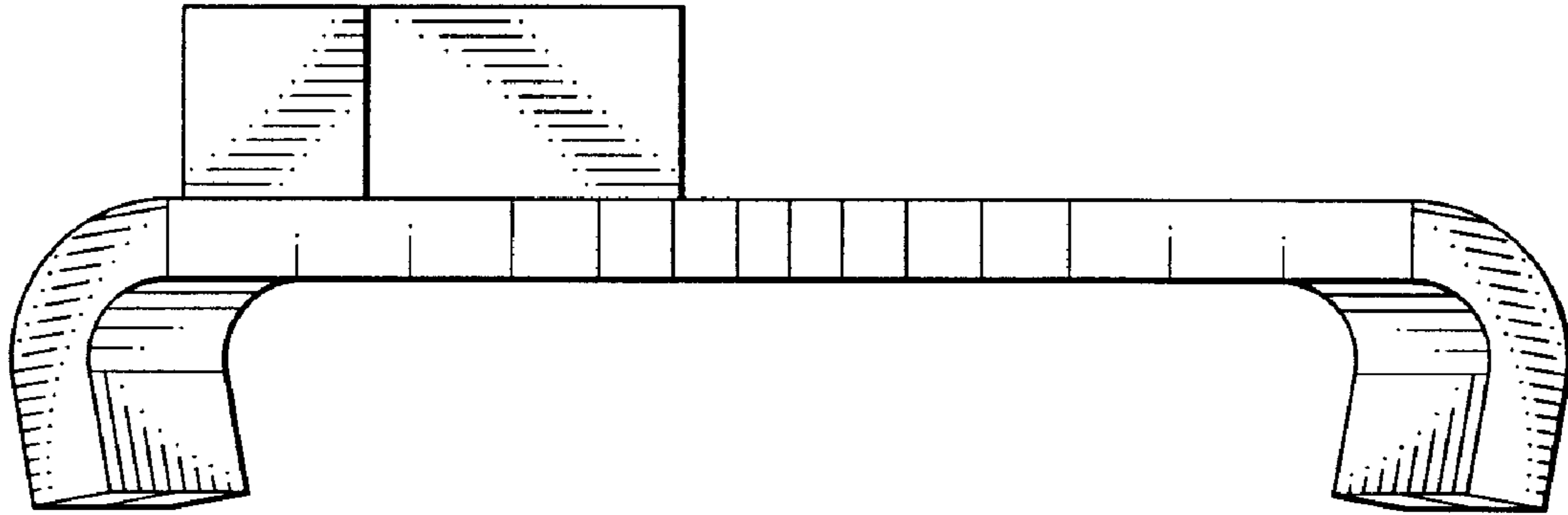


FIG. 4



FIG. 5

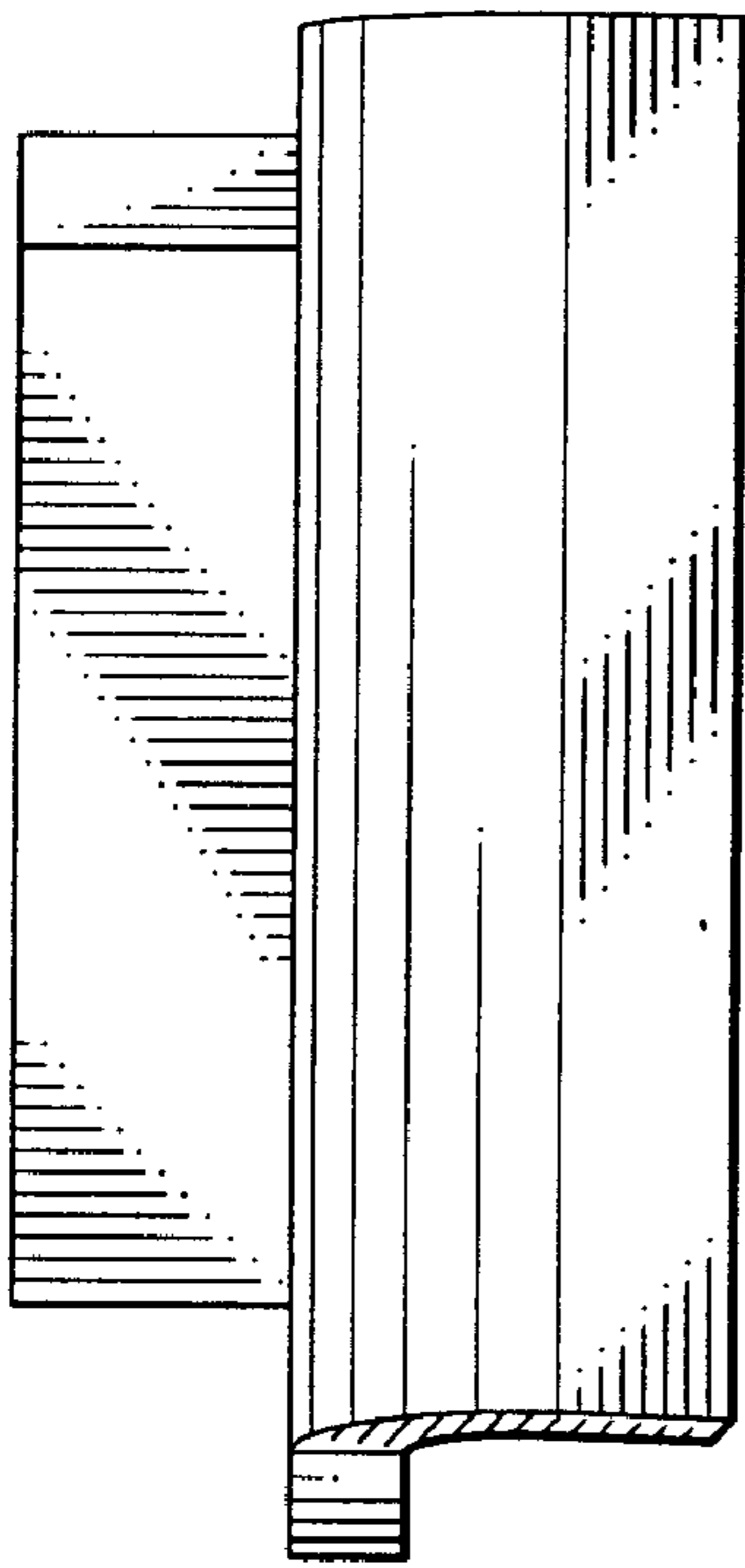


FIG. 6

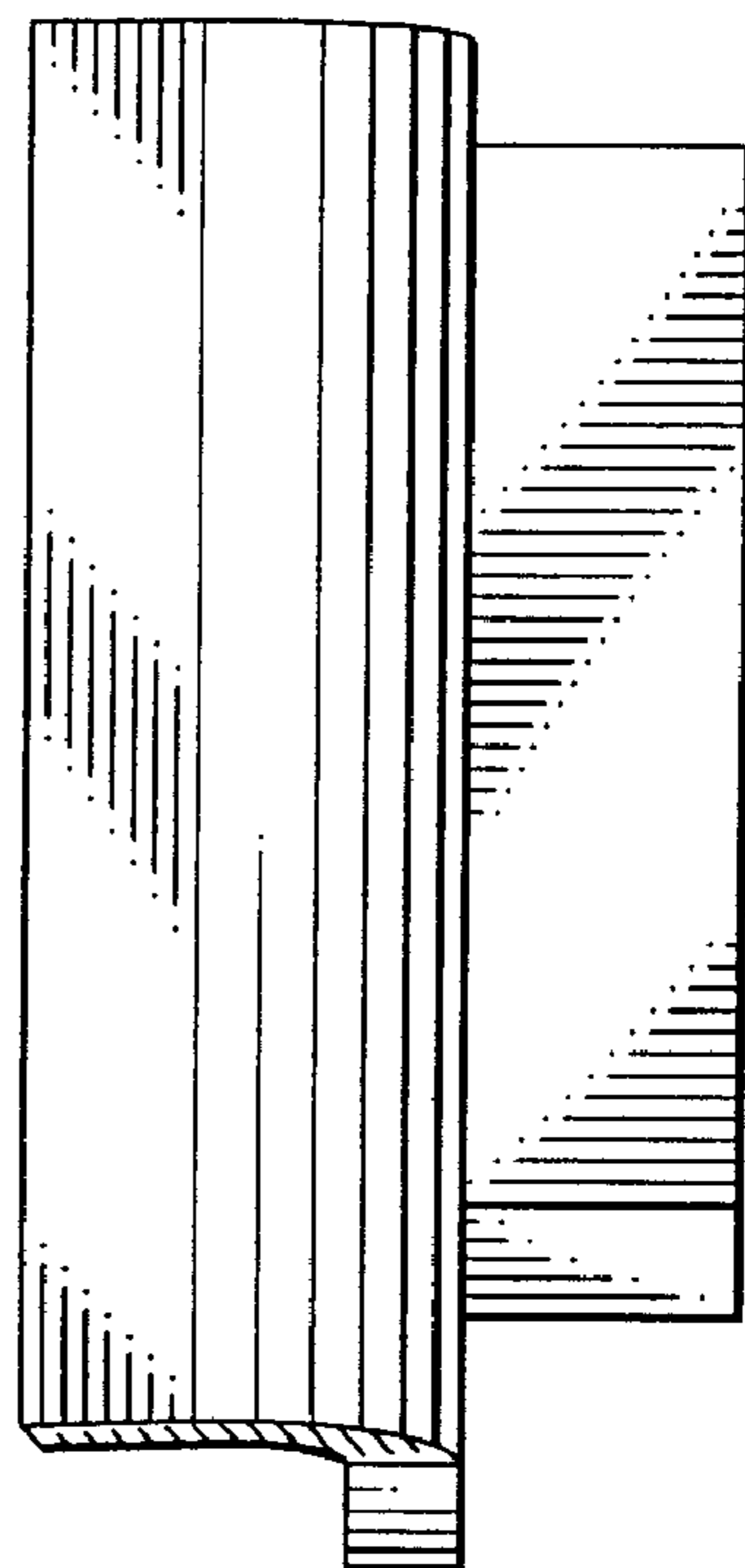


FIG. 7