

US00D508926S

(12) **United States Design Patent**
Seok et al.

(10) **Patent No.: US D508,926 S**

(45) **Date of Patent: ** Aug. 30, 2005**

(54) **REFRIGERATOR**

(75) Inventors: **Kun Jun Seok**, Seoul (KR); **Kyeong Chul Cho**, Gyeonggi-do (KR)

(73) Assignee: **LG Electronics Inc.**, Seoul (KR)

(**) Term: **14 Years**

(21) Appl. No.: **29/219,244**

(22) Filed: **Dec. 15, 2004**

(30) **Foreign Application Priority Data**

Oct. 13, 2004 (KR) 30-2004-0031380

(51) **LOC (8) Cl. 15-07**

(52) **U.S. Cl. D15/86**

(58) **Field of Search** D15/79-82, 84-88;
62/293, 339, 373, 440-445, 457; 312/114-117,
138.1, 139.1, 236, 405

(56) **References Cited**

U.S. PATENT DOCUMENTS

D188,011 S	*	5/1960	Ferar et al.	D15/87
D196,207 S	*	9/1963	Fink	D15/87
D200,679 S	*	3/1965	Ferar et al	D15/87
D210,560 S	*	3/1968	Kennedy et al.	D15/86
D299,145 S	*	12/1988	Kuwabara et al.	D15/86

D387,779 S	*	12/1997	Weiss et al.	D15/85
D415,504 S	*	10/1999	Han	D15/85
D449,624 S	*	10/2001	Yu	D15/81
D449,625 S	*	10/2001	Yu	D15/81
D452,255 S	*	12/2001	Chai et al.	D15/85
D495,719 S	*	9/2004	Kirchner et al.	D15/86
D496,373 S	*	9/2004	Jang	D15/85

* cited by examiner

Primary Examiner—Nanda Bondade

Assistant Examiner—Shanda C. Hill

(74) *Attorney, Agent, or Firm*—Birch, Stewart, Kolasch & Birch, LLP

(57) **CLAIM**

The ornamental design for a refrigerator, as shown and described.

DESCRIPTION

FIG. 1 is a perspective view of a refrigerator showing our new design;

FIG. 2 is a front view thereof;

FIG. 3 is a rear view thereof;

FIG. 4 is a left side view thereof;

FIG. 5 is a right side view thereof;

FIG. 6 is a top plan view thereof; and,

FIG. 7 is a bottom plan view thereof.

1 Claim, 6 Drawing Sheets

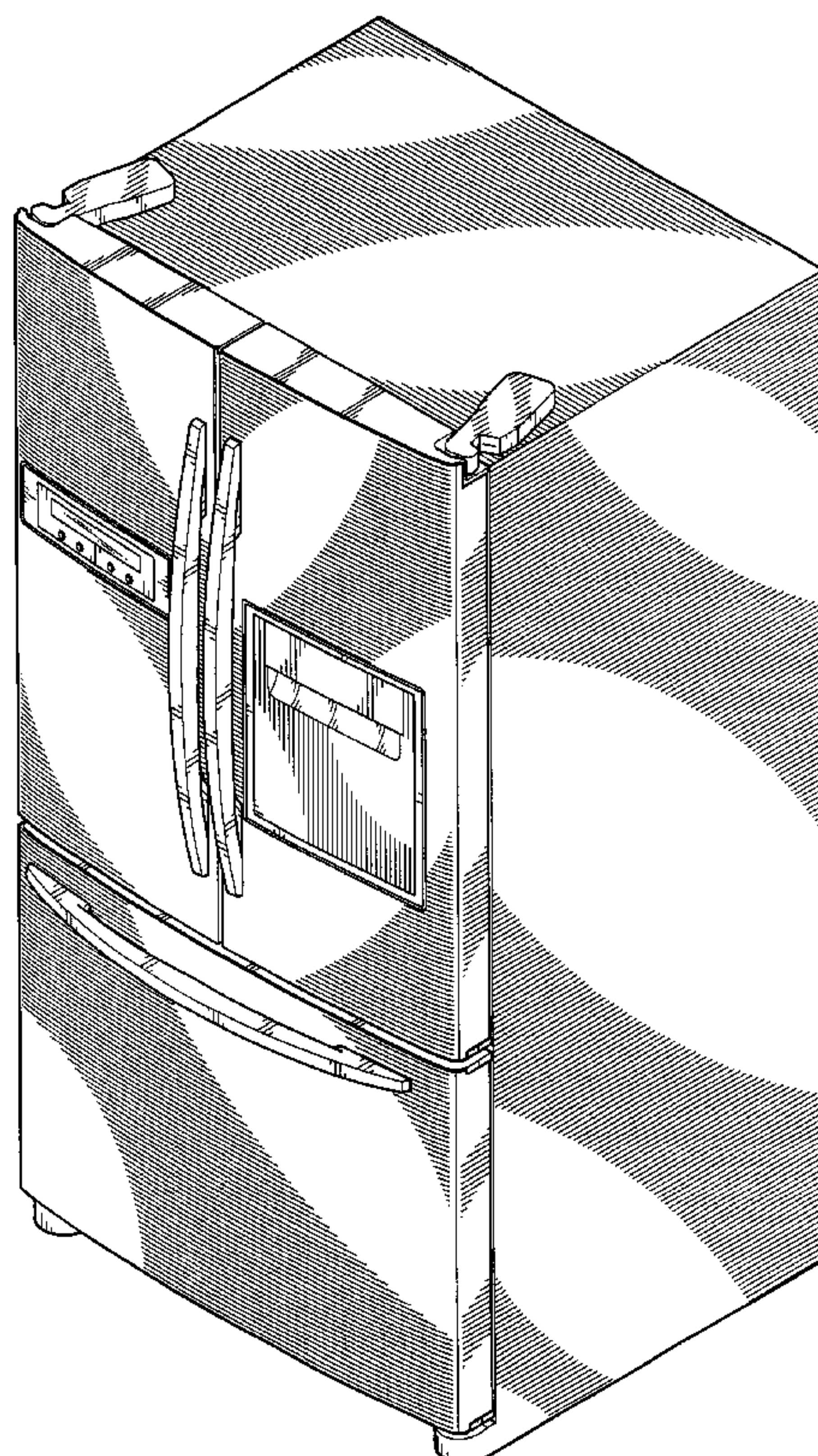


FIG. 1

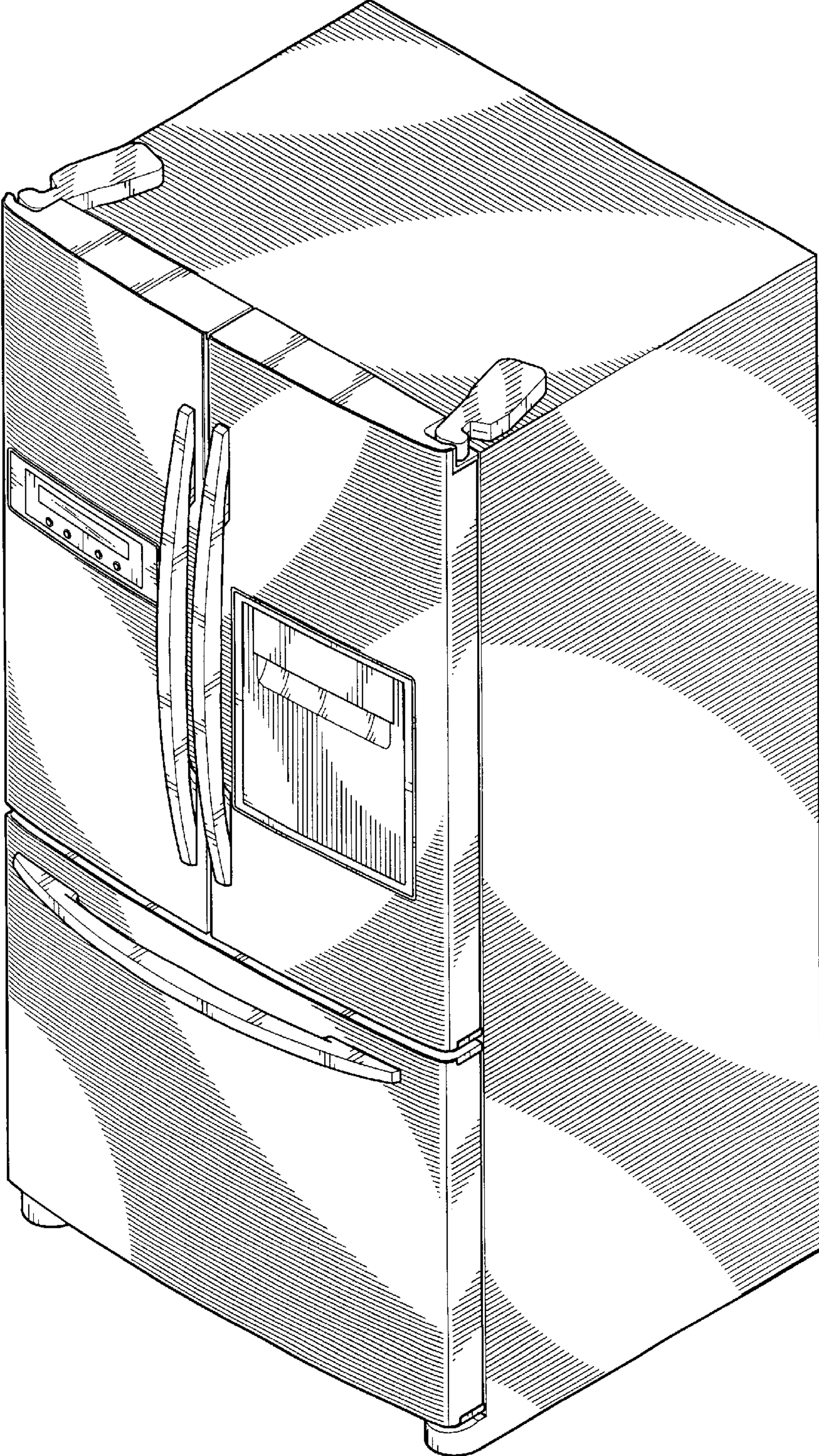


FIG. 2

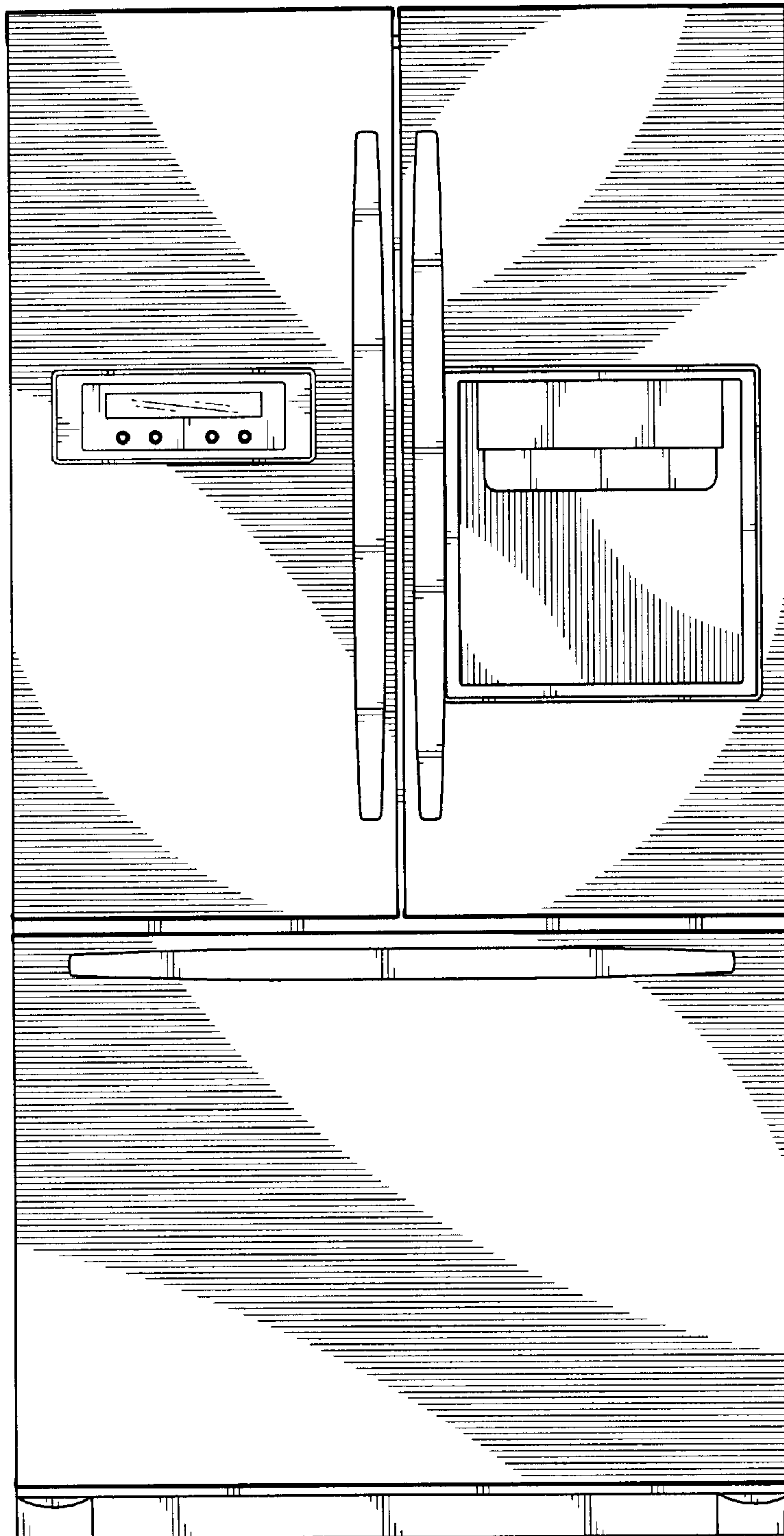


FIG. 3

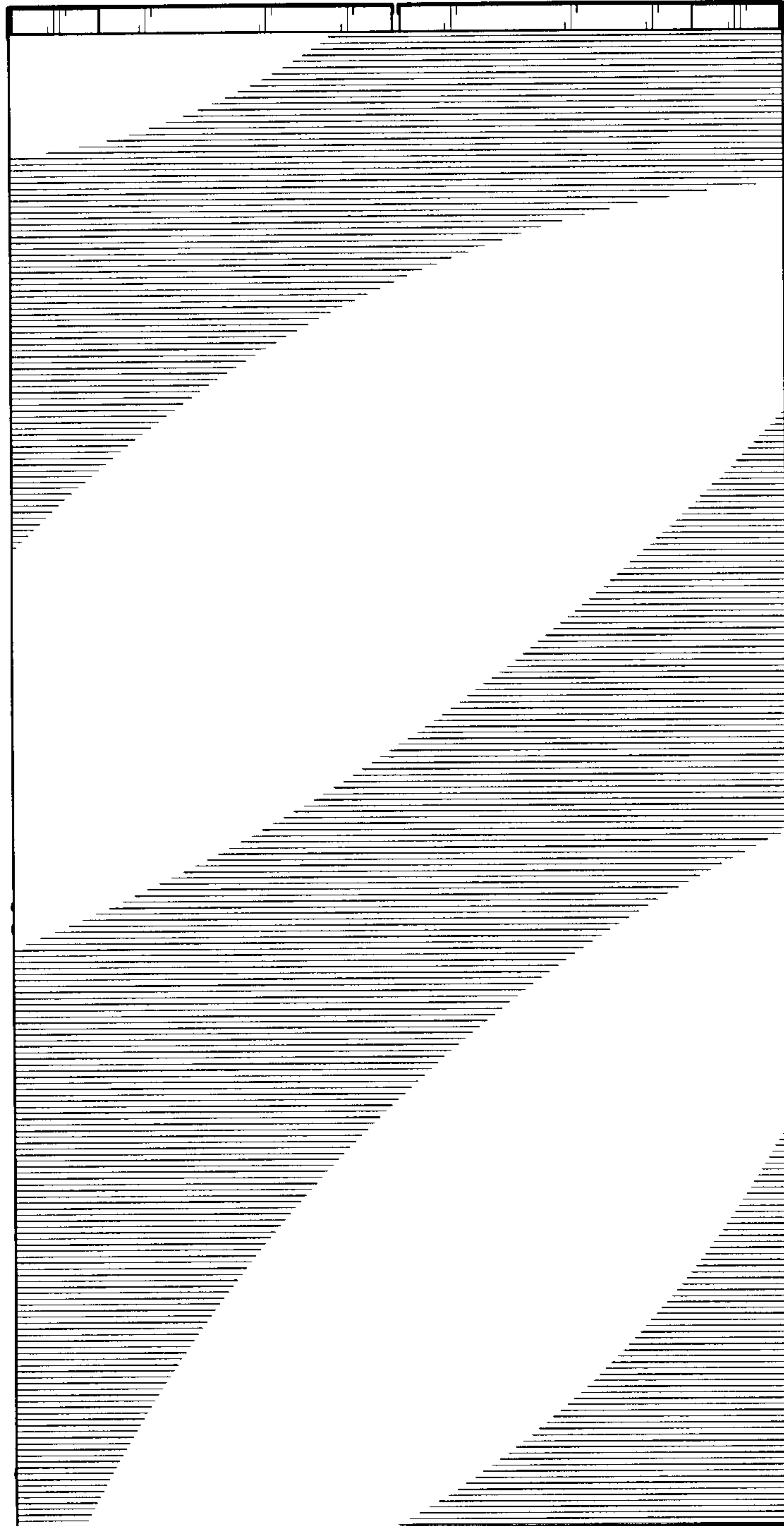


FIG. 4

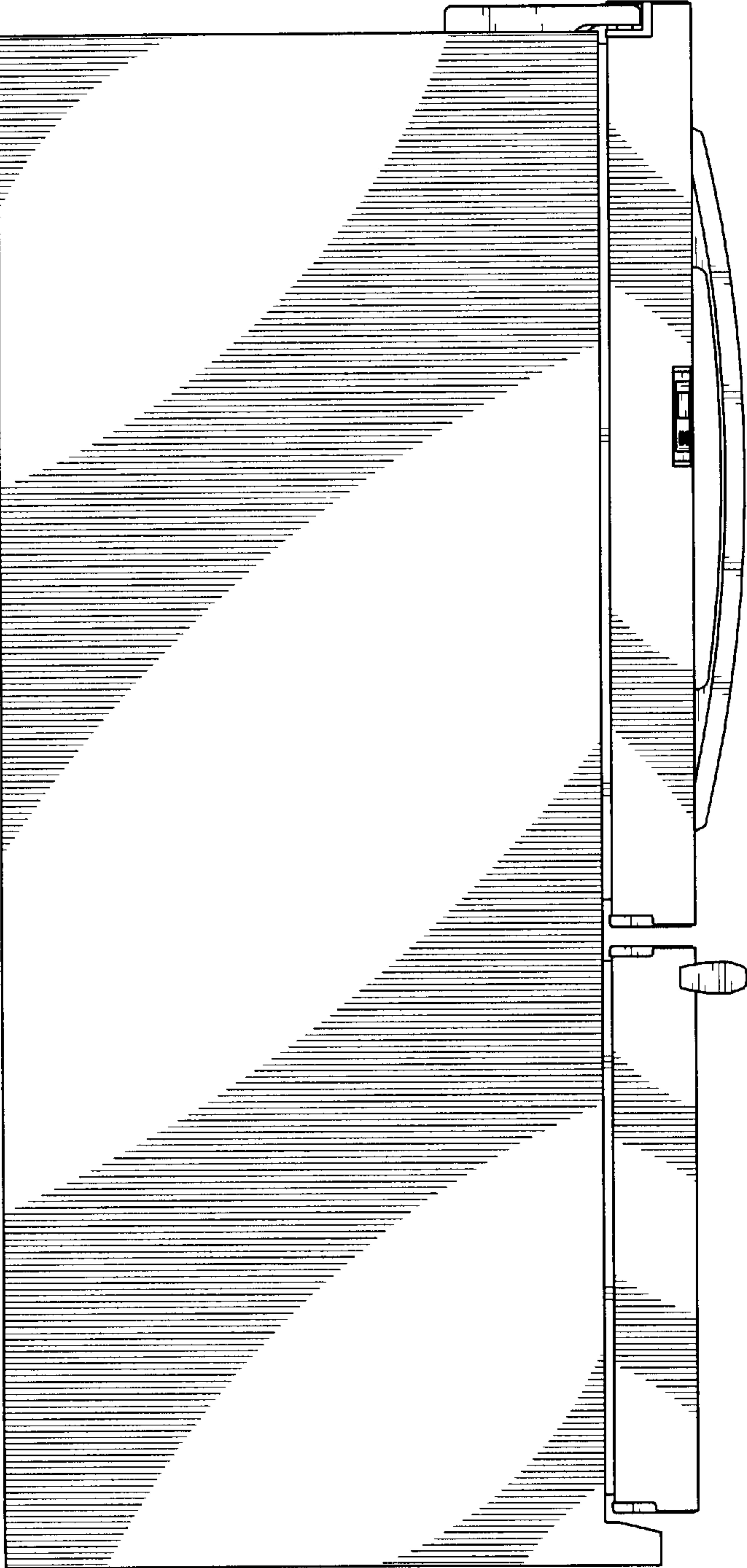


FIG. 5

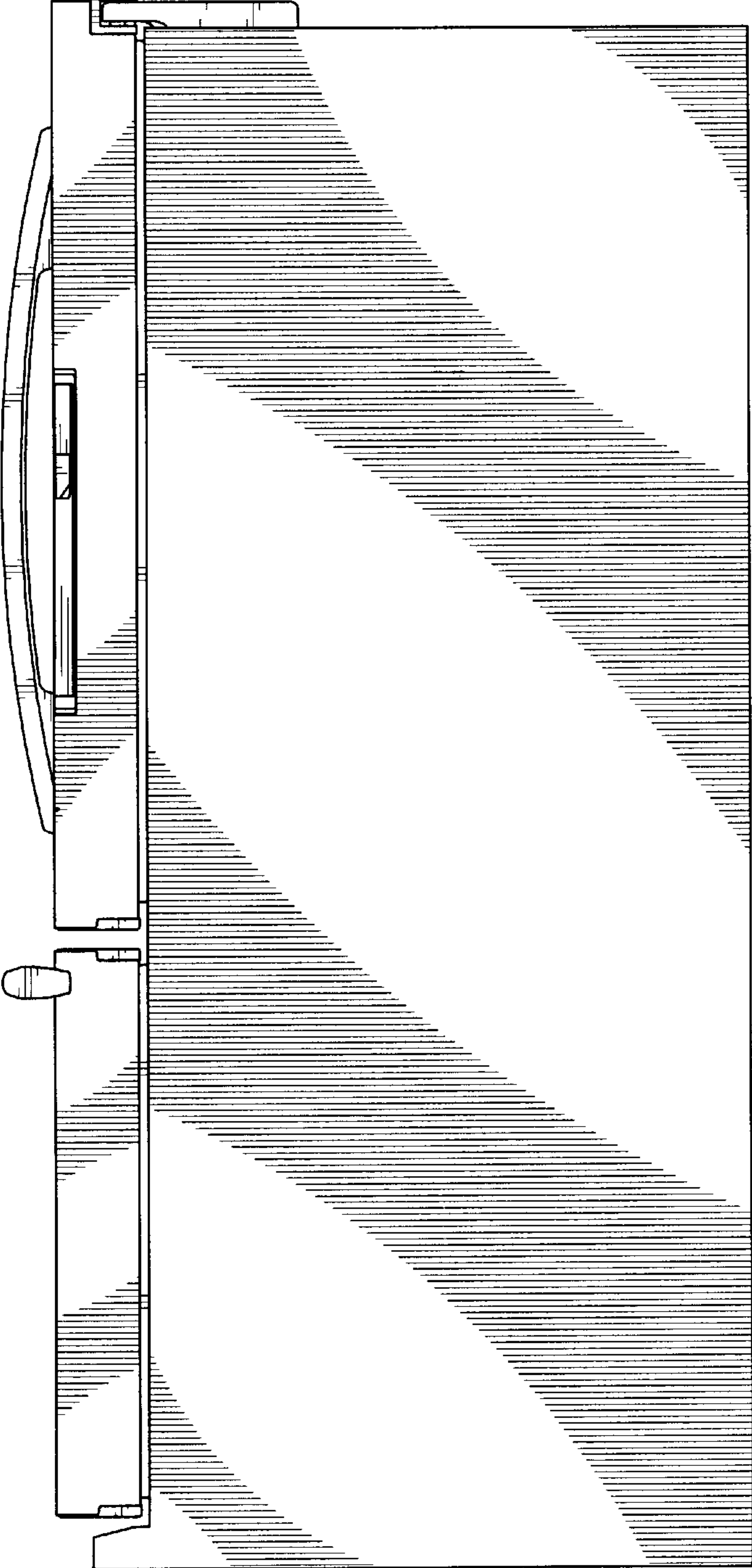


FIG. 6

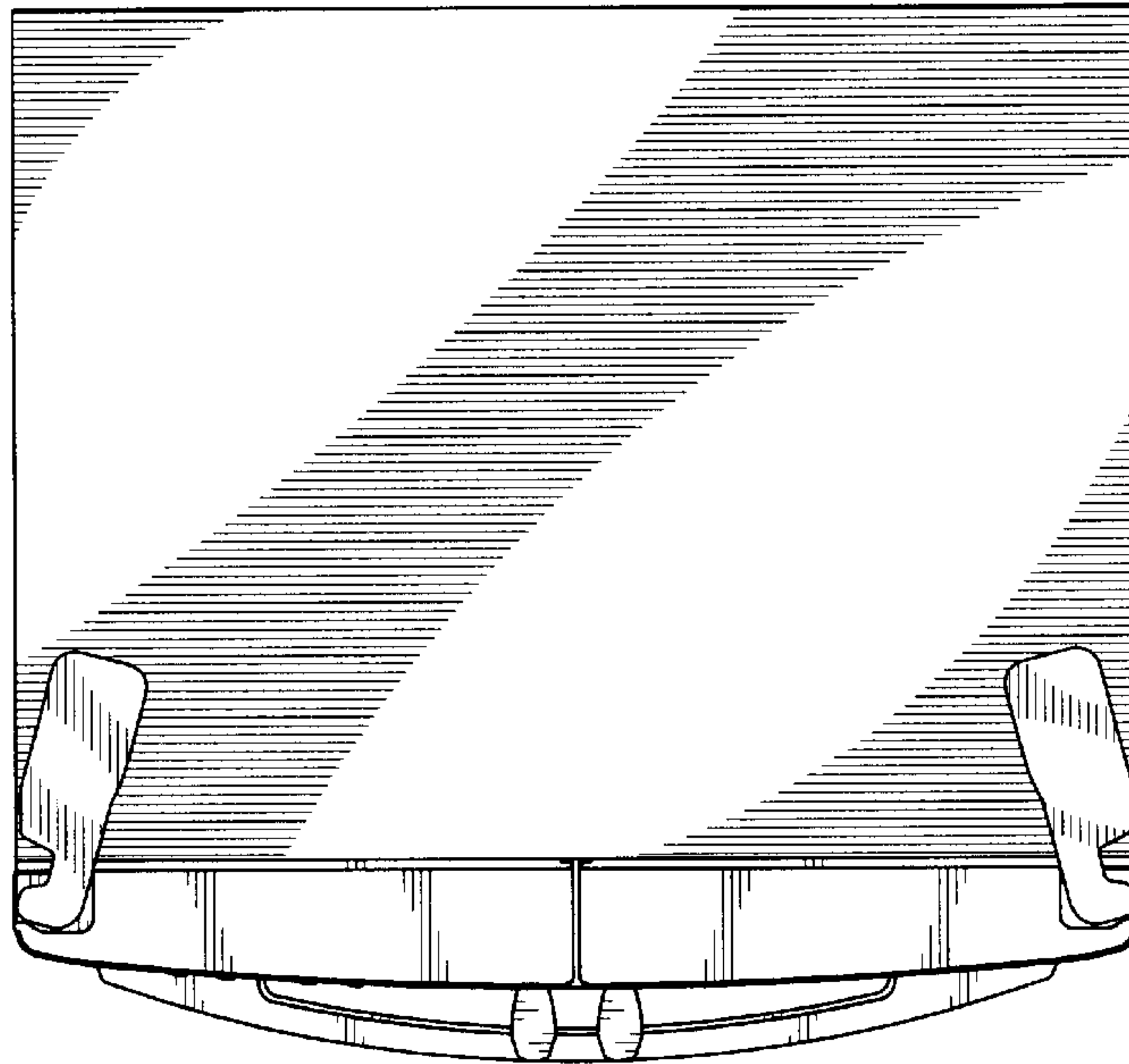


FIG. 7

