

US00D508924S

(12) **United States Design Patent** (10) **Patent No.:** **US D508,924 S**
Henssler et al. (45) **Date of Patent:** **** Aug. 30, 2005**

(54) **LAWN MOWER**

(75) Inventors: **Heinrich Henssler**, Schwabisch-Gmund (DE); **Martin Schultheiss**, Schwabisch-Gmund (DE)

(73) Assignee: **Gardena Manufacturing GmbH** (DE)

(**) Term: **14 Years**

(21) Appl. No.: **29/210,968**

(22) Filed: **Aug. 9, 2004**

(30) **Foreign Application Priority Data**

Feb. 14, 2004 (DE) 4 04 00 951

(51) **LOC (8) Cl.** **15-03**

(52) **U.S. Cl.** **D15/14**

(58) **Field of Search** D15/10, 14-18;
56/12.8, 12.7, 13.4, 16.7, 17.5, 202, 254,
255, 294, 11.4, 320.1, 320.2, 249, 252,
13.7; 280/43.17

(56) **References Cited**

U.S. PATENT DOCUMENTS

4,738,084 A	4/1988	Ogano et al.	
D295,865 S	* 5/1988	Rosenblad	D15/18
D347,640 S	* 6/1994	Chunn et al.	D15/14
D356,581 S	* 3/1995	Chunn et al.	D15/14
D361,771 S	* 8/1995	Ledingham	D15/14
5,493,851 A	* 2/1996	Katzer et al.	56/13.7
D374,017 S	* 9/1996	Chunn et al.	D15/14
D390,576 S	* 2/1998	Shimamura	D15/14
D424,070 S	* 5/2000	Danthois	D15/14
D458,612 S	* 6/2002	Scott et al.	D15/14
D489,734 S	* 5/2004	Lin	D15/14

FOREIGN PATENT DOCUMENTS

WO WO 02/062126 A1 8/2002

OTHER PUBLICATIONS

Ering catalog "Garten Geratekatalog" 2002, pp. 8 and 9.
Asgatec catalog "Assmann Gartentechnik" 2003, p. 12.
Einhell catalog "Gartentechnik" 2001.
Bosch catalog "Das Bosch-Gartengerate-Programm" 2002.
Flymo brochure "Flymo" 2002.
MEP Marazzini S.p.A. catalog "Erma Collection" 2001-2002, p. 5.
Valex catalog "Garden 2003" 2003, pp. 12 and 13.
Wolf Garten catalog "Das Neue Gartenjahr" 2000.
Klippo catalog "Klippo" 2002, p. 10.
Solo catalog "Komplett-Programm" 2003.
Viking catalog "Viking" 2002/2003, pp. 12 and 13.
Stiga catalog "Stiga Garden Range" 2003, p. 27.
Ikra catalog "Saison 2003" 2003, p. 9.
Herkules catalog "Herkules-Motorgerate" 2002/2003, p. 7.
Dolmar catalog "Dolmar" 2002/2003, p. 35.
Granja catalog "Granja" 2001.

* cited by examiner

Primary Examiner—Stella Reid
Assistant Examiner—Mark A. Goodwin
(74) *Attorney, Agent, or Firm*—Akerman Senterfitt

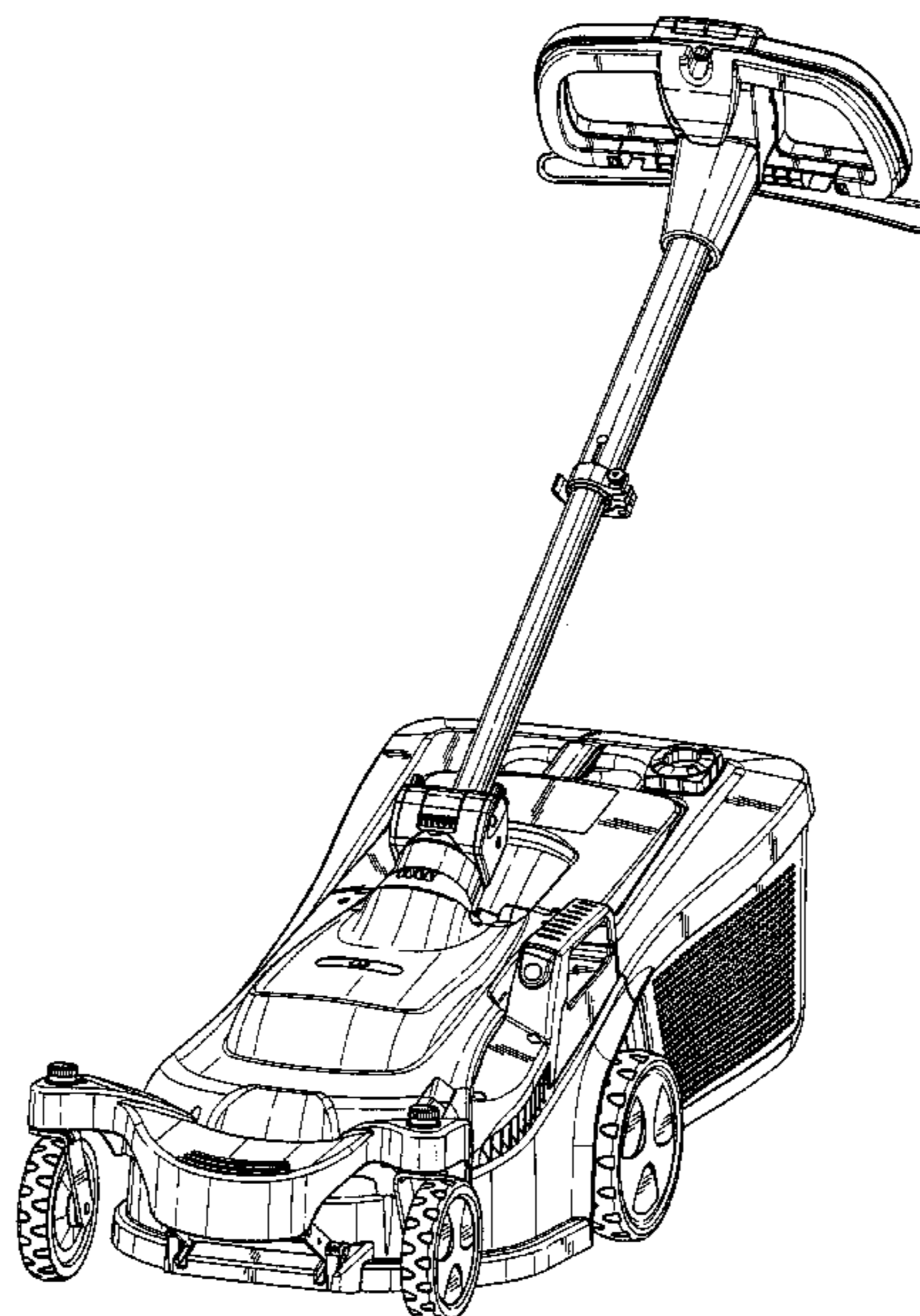
(57) **CLAIM**

The ornamental design for a lawn mower, as shown and described.

DESCRIPTION

FIG. 1 is a side perspective view of the lawn mower showing our new design;
FIG. 2 is a side elevation view thereof;
FIG. 3 is the opposite side elevation view thereof;
FIG. 4 is a front elevation view thereof;
FIG. 5 is a rear elevation view thereof;
FIG. 6 is a top plan view thereof; and,
FIG. 7 is a bottom plan view thereof.

1 Claim, 5 Drawing Sheets



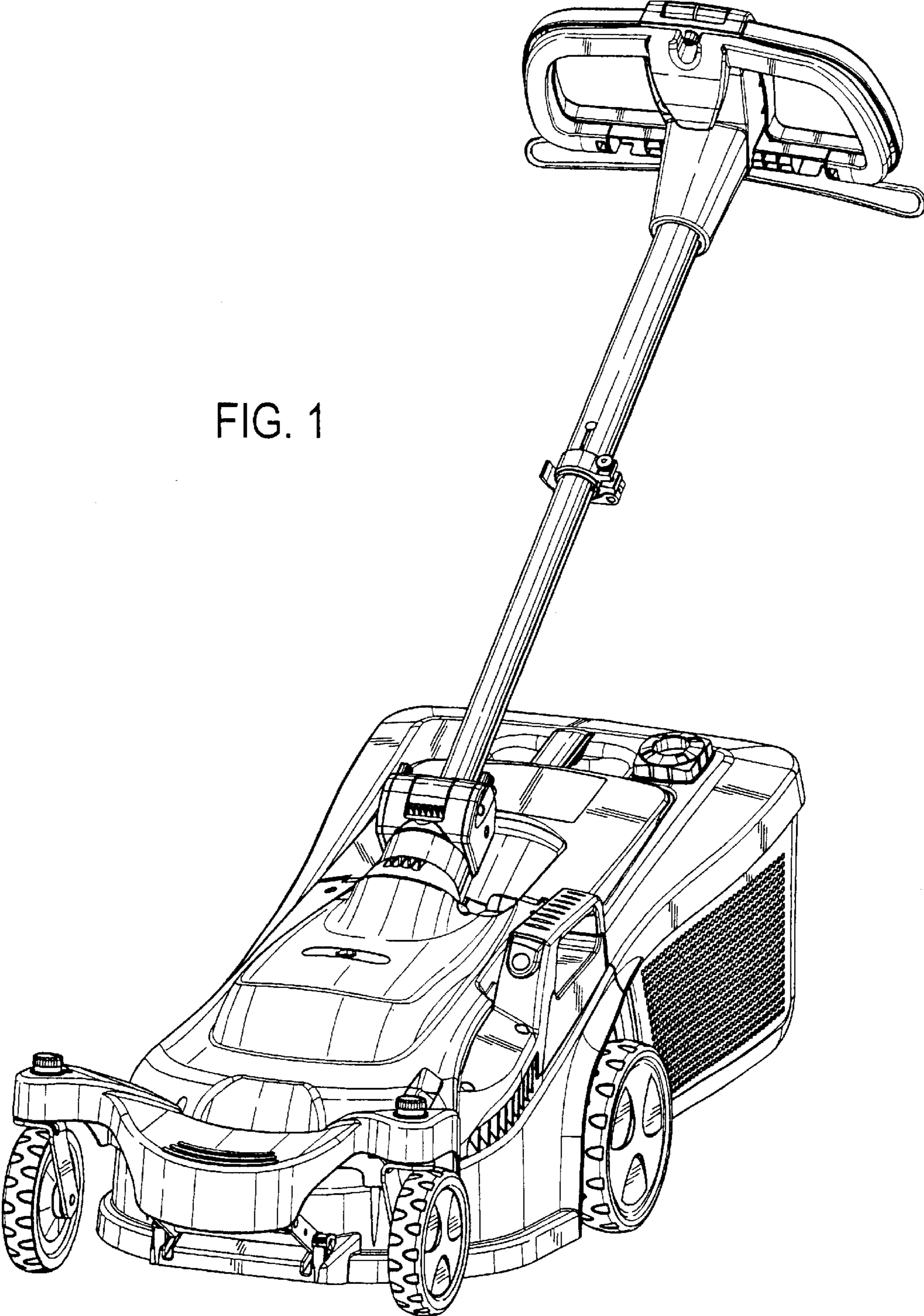


FIG. 1

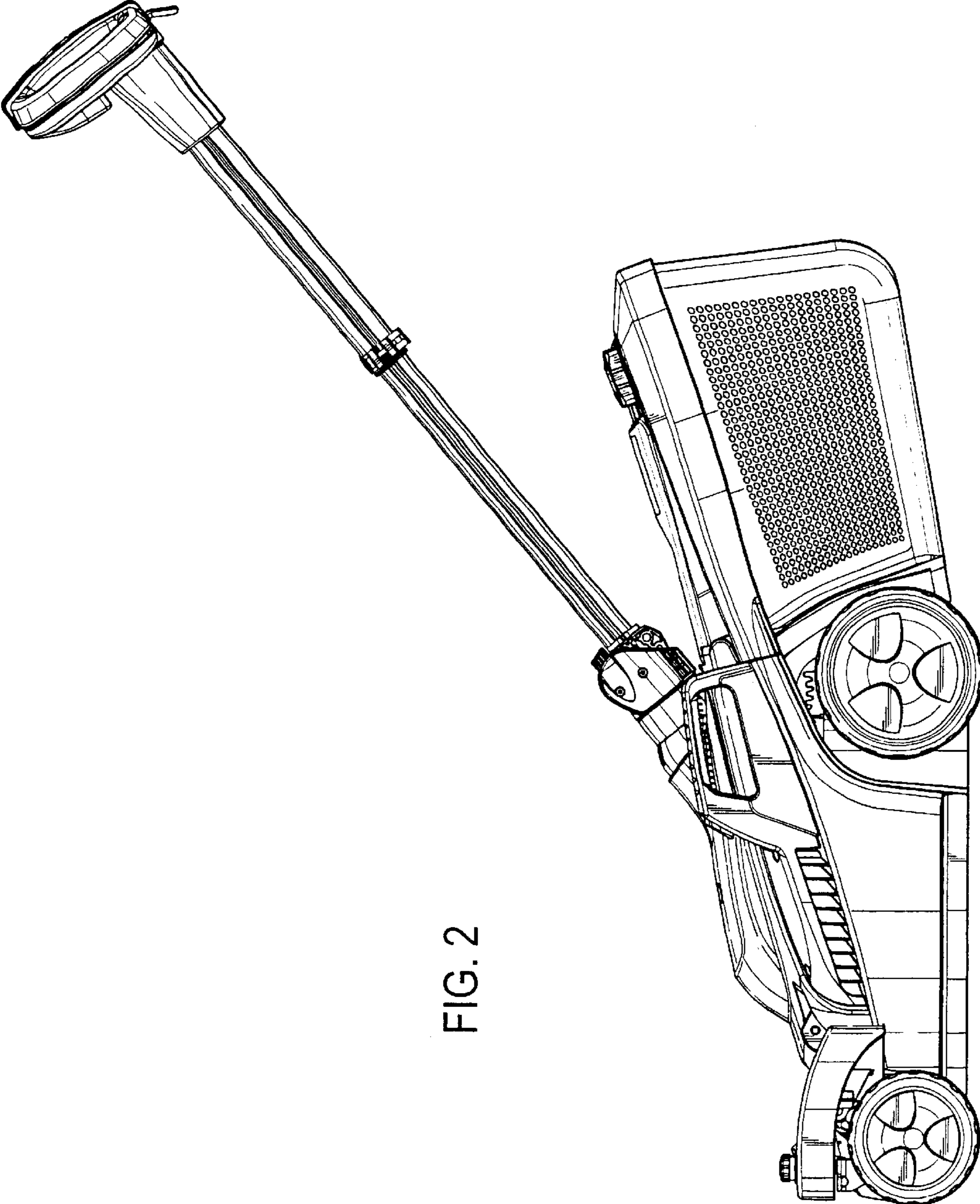
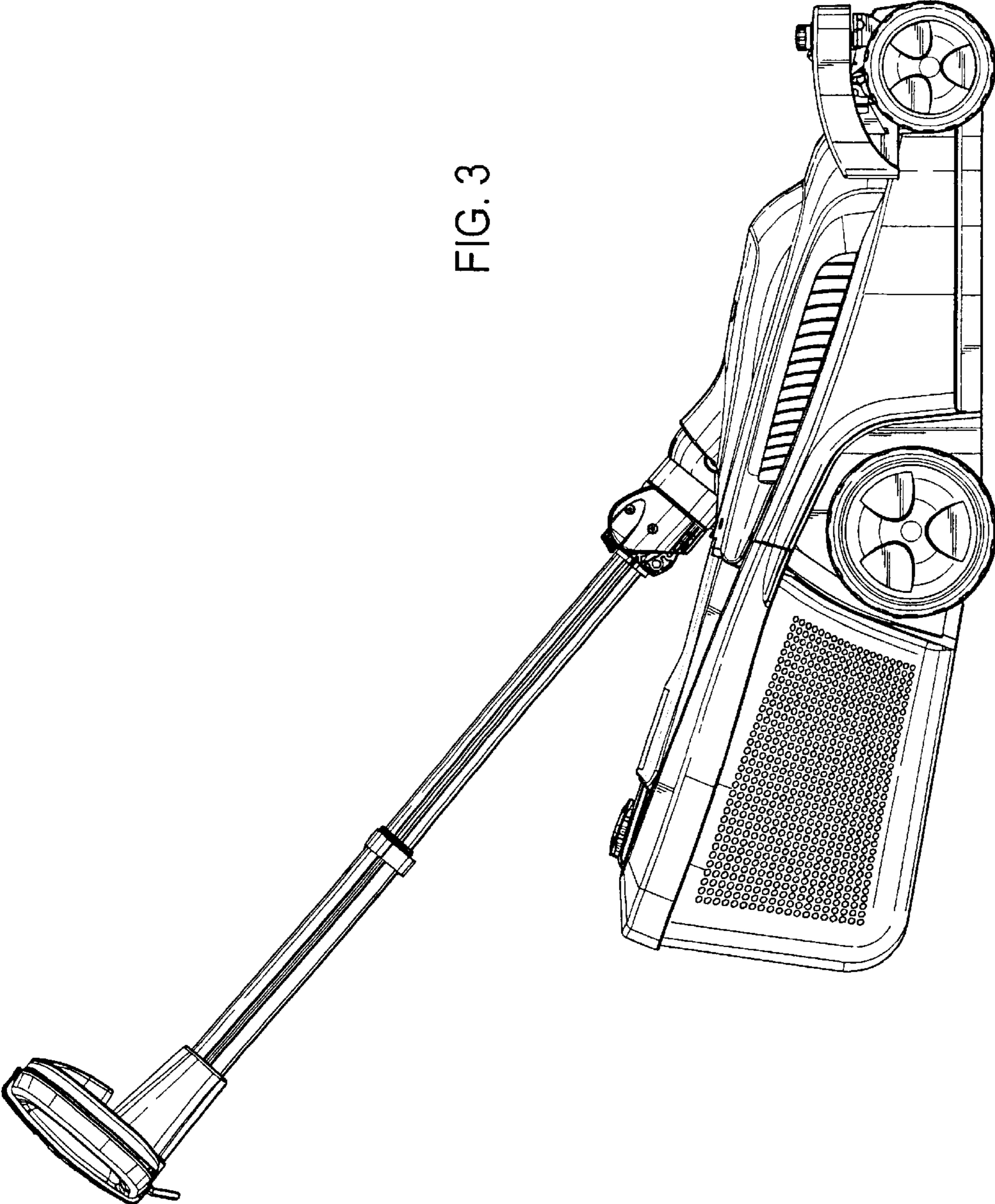


FIG. 2

FIG. 3



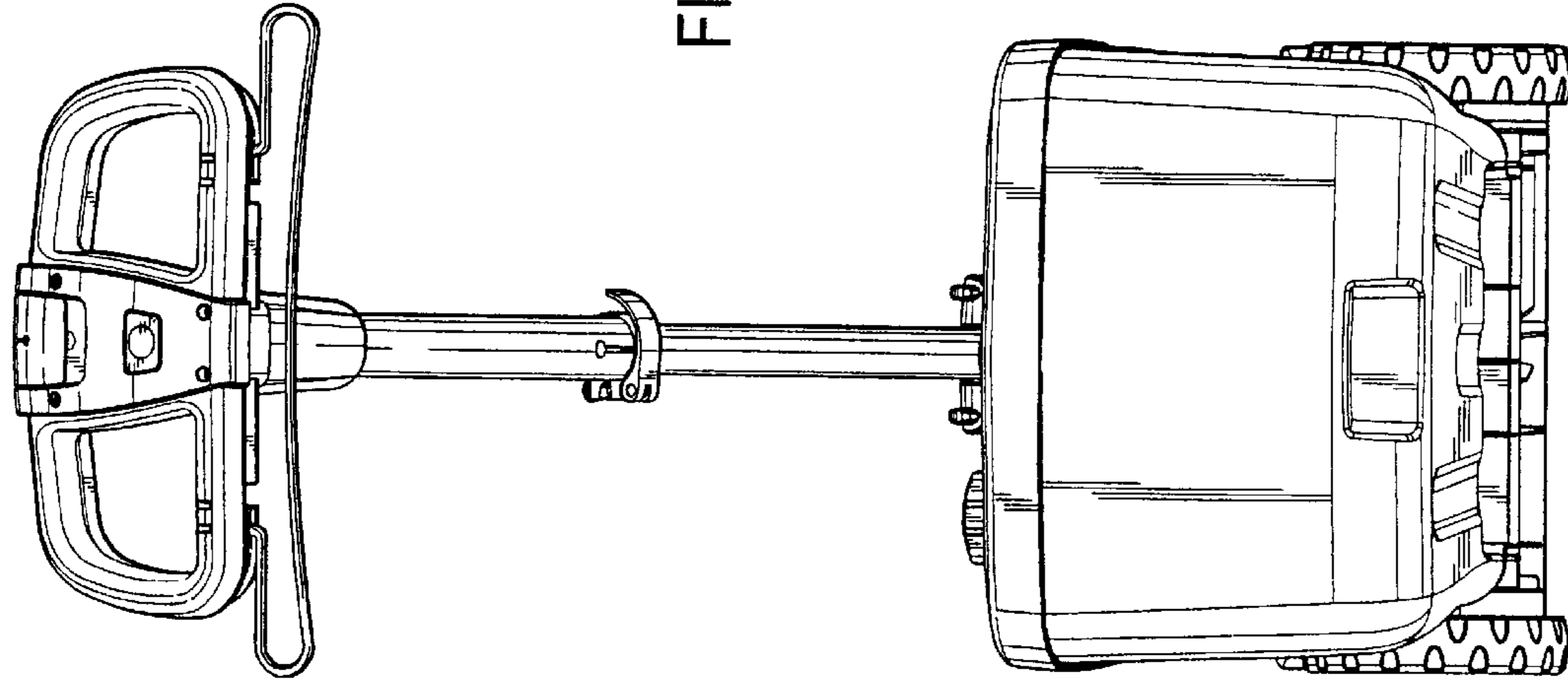


FIG. 5

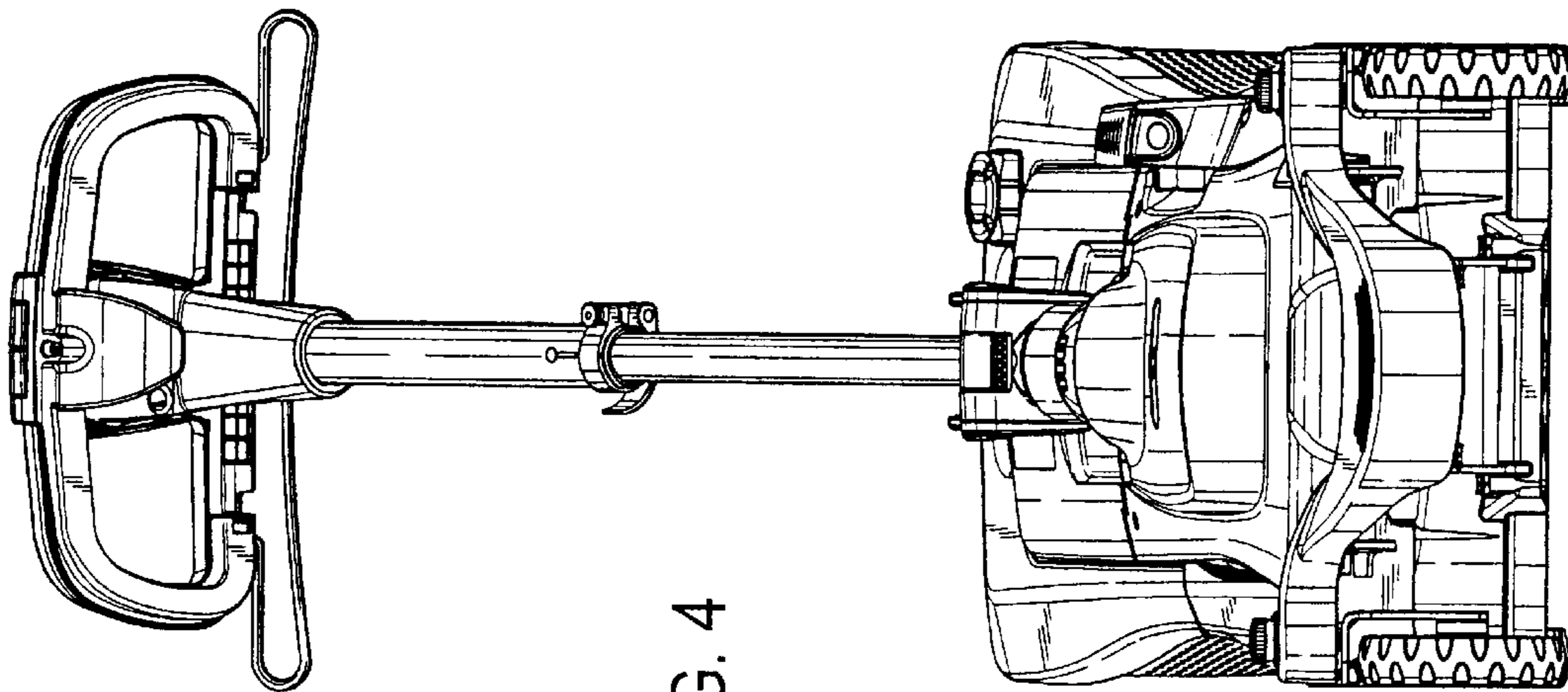


FIG. 4

FIG. 6

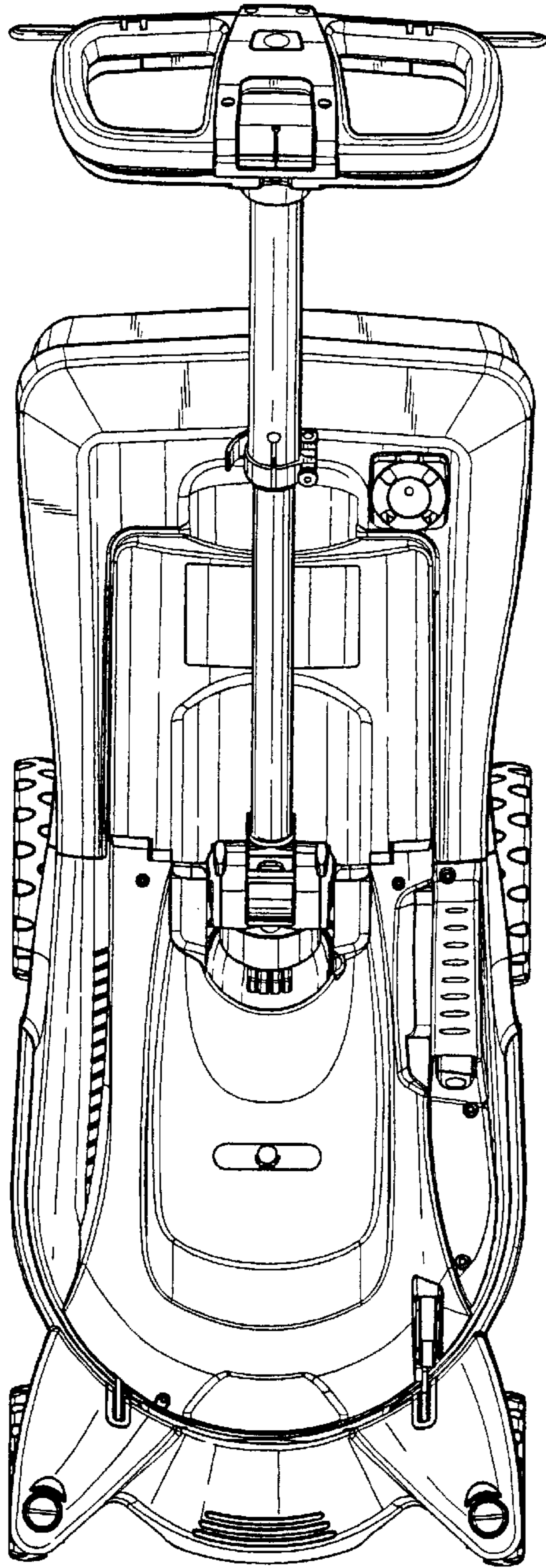


FIG. 7

