



US00D508923S

(12) **United States Design Patent** (10) **Patent No.:** **US D508,923 S**
Henssler et al. (45) **Date of Patent:** **** Aug. 30, 2005**

(54) **LAWN-MOWER**

(75) Inventors: **Heinrich Henssler**, Schwabisch-Gmünd (DE); **Martin Schultheiss**, Schwabisch-Gmünd (DE)

(73) Assignee: **Gardena Manufacturing GmbH** (DE)

(**) Term: **14 Years**

(21) Appl. No.: **29/210,947**

(22) Filed: **Aug. 9, 2004**

(30) **Foreign Application Priority Data**

Feb. 14, 2004 (DE) 404 00 951

(51) **LOC (8) Cl.** **15-03**

(52) **U.S. Cl.** **D15/14**

(58) **Field of Search** D15/10, 14-18;
56/12.8, 12.7, 13.4, 16.7, 17.5, 202, 254,
255, 294, 11.4, 320.1, 320.2, 249, 252,
13.7; 280/43.17

(56) **References Cited**

U.S. PATENT DOCUMENTS

- 4,738,084 A 4/1988 Ogano et al.
- D295,865 S * 5/1988 Rosenblad D15/18
- D347,640 S * 6/1994 Chunn et al. D15/14
- D356,581 S * 3/1995 Chunn et al. D15/14
- D361,771 S * 8/1995 Ledingham D15/14
- 5,493,851 A * 2/1996 Katzer et al. 56/13.7
- D374,017 S * 9/1996 Chunn et al. D15/14
- D390,576 S * 2/1998 Shimamura D15/14
- D424,070 S * 5/2000 Danthois D15/14
- D458,612 S * 6/2002 Scott et al. D15/14
- D489,734 S * 5/2004 Lin D15/14

FOREIGN PATENT DOCUMENTS

WO WO 02/062126 A1 8/2002

OTHER PUBLICATIONS

- Ering catalog "Garden Geratekatalog" 2002, pp. 8 and 9.
- Asgatec catalog "Assmann Gartentechnik" 2003, p. 12.
- Einhell catalog "Gartentechnik" 2001.
- Bosch catalog "Das Bosch-Gartengerate-Programm" 2002.
- Flymo brochure "Flymo", 2002.
- MEP Marazzini S.p.A. catalog "Erma Collection" 2001-2002, p. 5.
- Valex catalog "Garden 2003" 2003, pp. 12 and 13.
- Wolf Garten catalog "Das Neue Gartenjahr" 2000.
- Klippo catalog "Klippo" 2002, p. 10.
- Solo catalog "Komplett-Programm" 2003.
- Viking catalog "Viking" 2002/2003, pp. 12 and 13.
- Stiga catalog "Stiga Garden Range" 2003, p. 27.
- Ikra catalog "Saison 2003" 2003, p. 9.
- Herkules catalog "Herkules-Motorgerate" 2002/2003, p. 7.
- Dolmar catalog "Dolmar" 2002/2003, p. 35.
- Granja catalog "Granja" 2001.

* cited by examiner

Primary Examiner—Stella Reid
Assistant Examiner—Mark A. Goodwin
(74) *Attorney, Agent, or Firm*—Akerman Senterfitt

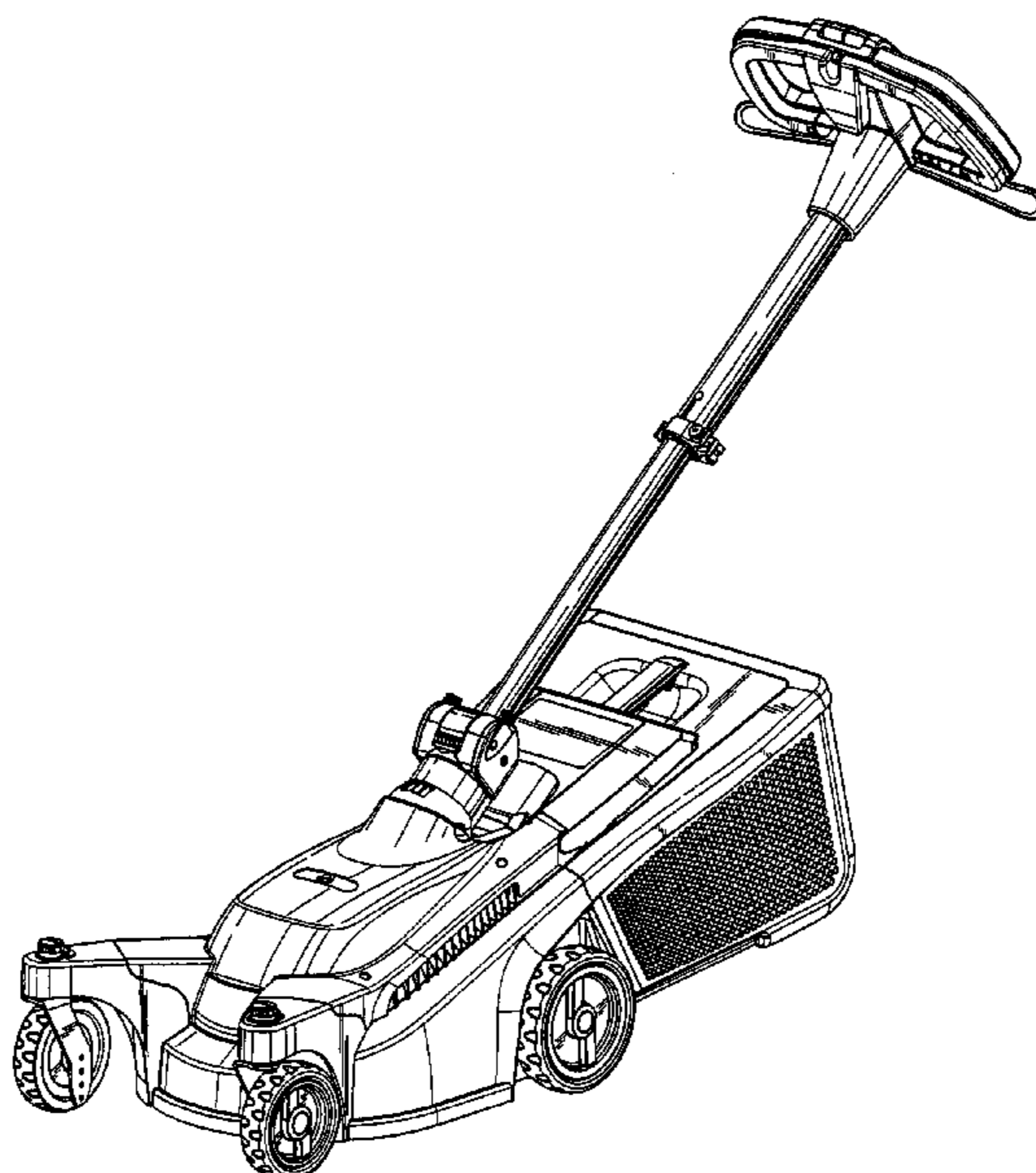
(57) **CLAIM**

The ornamental design for a lawn-mower, as shown and described.

DESCRIPTION

FIG. 1: is a side perspective view of the lawn-mower showing our new design;
FIG. 2: is a side elevation view thereof;
FIG. 3: is a front elevation view thereof;
FIG. 4: is a rear elevation view thereof;
FIG. 5: is a top plan view thereof;
FIG. 6: is a bottom plan view thereof; and,
FIG. 7: is the opposite side elevation view thereof.

1 Claim, 5 Drawing Sheets



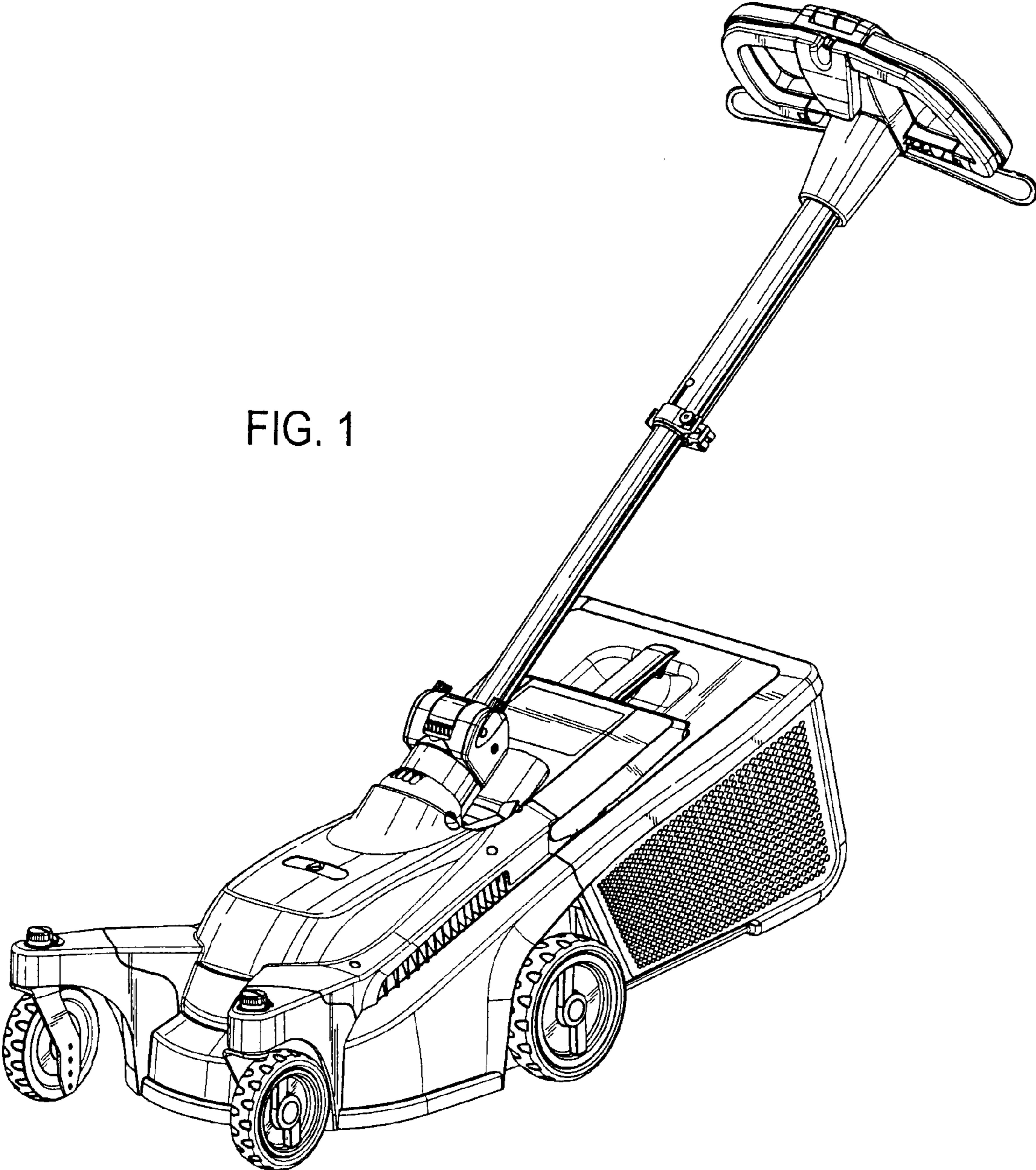


FIG. 1

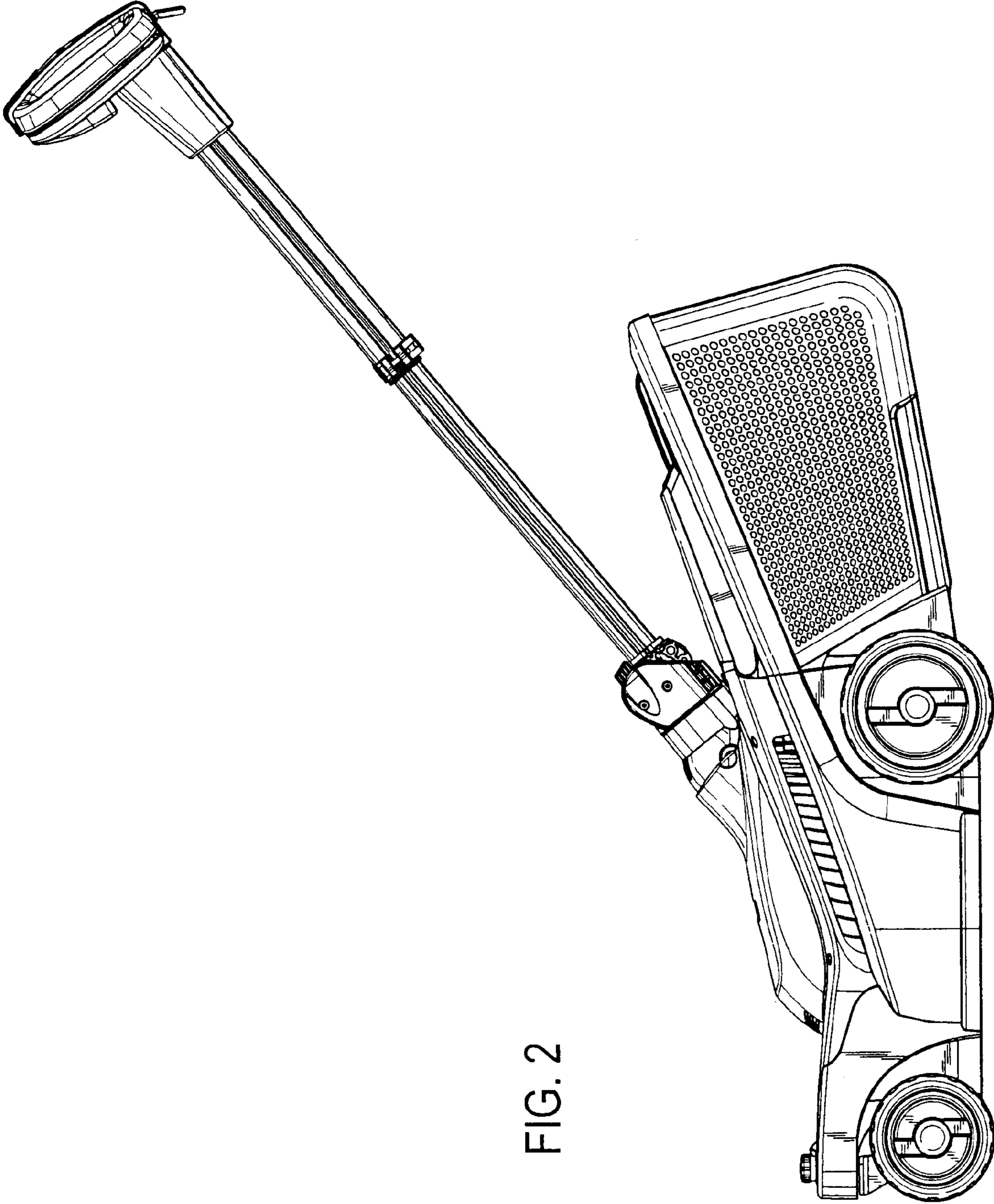


FIG. 2

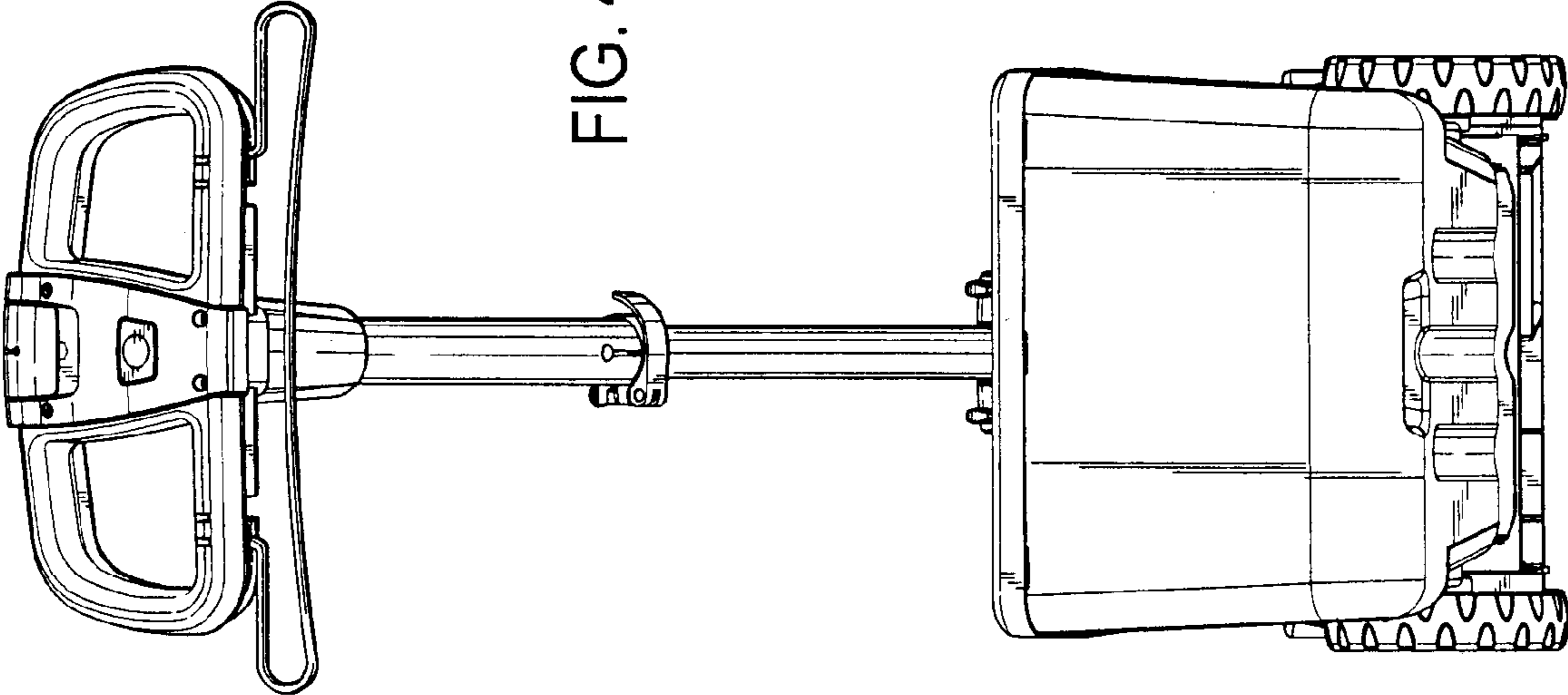


FIG. 4

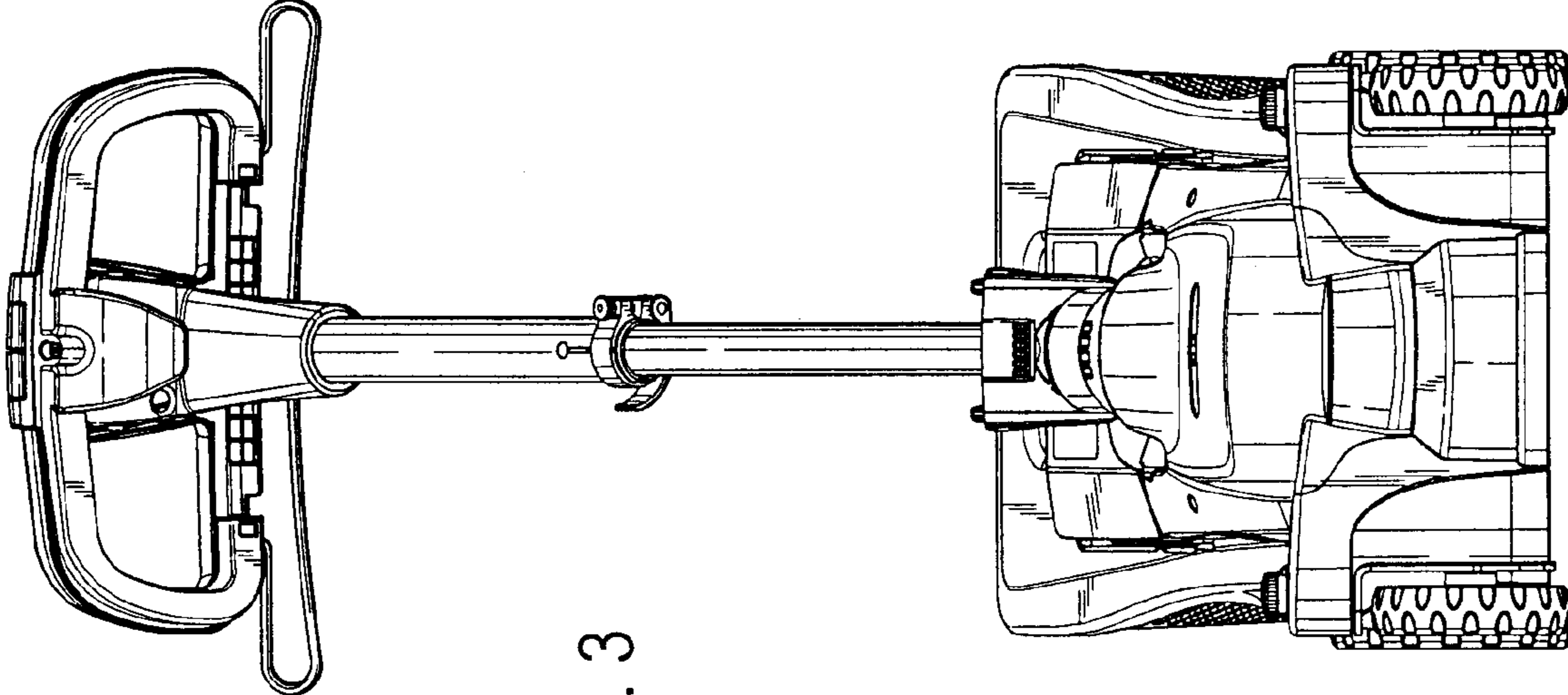


FIG. 3

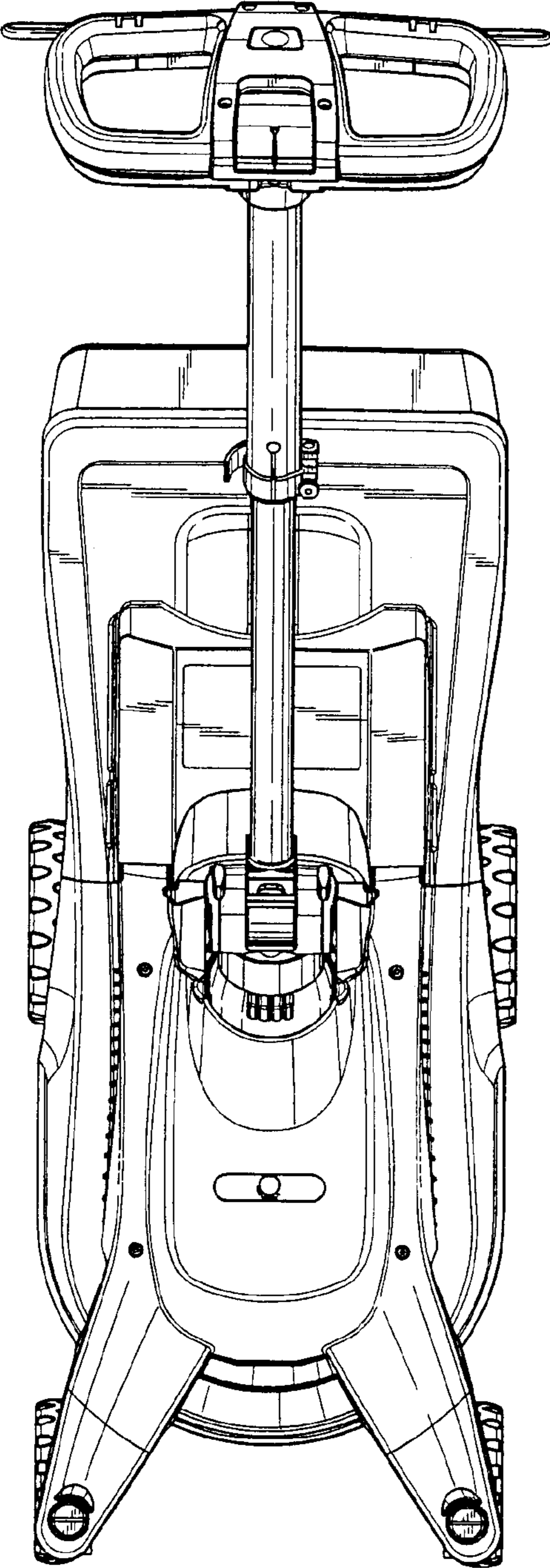


FIG. 5

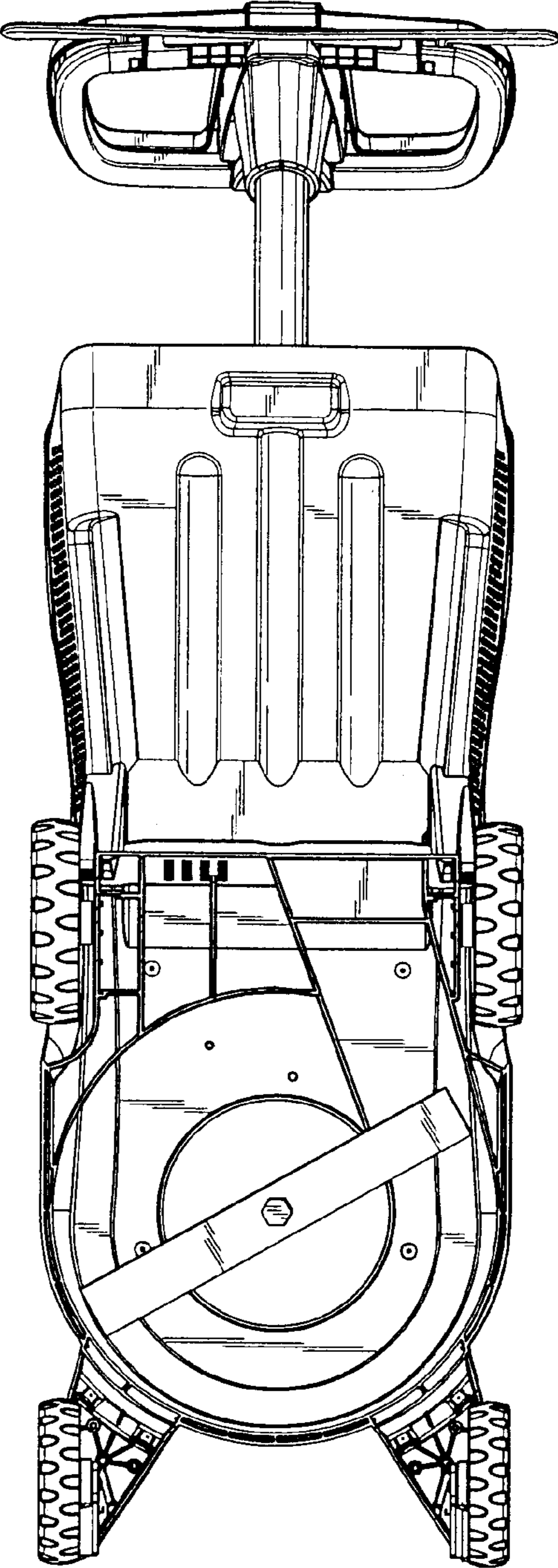


FIG. 6

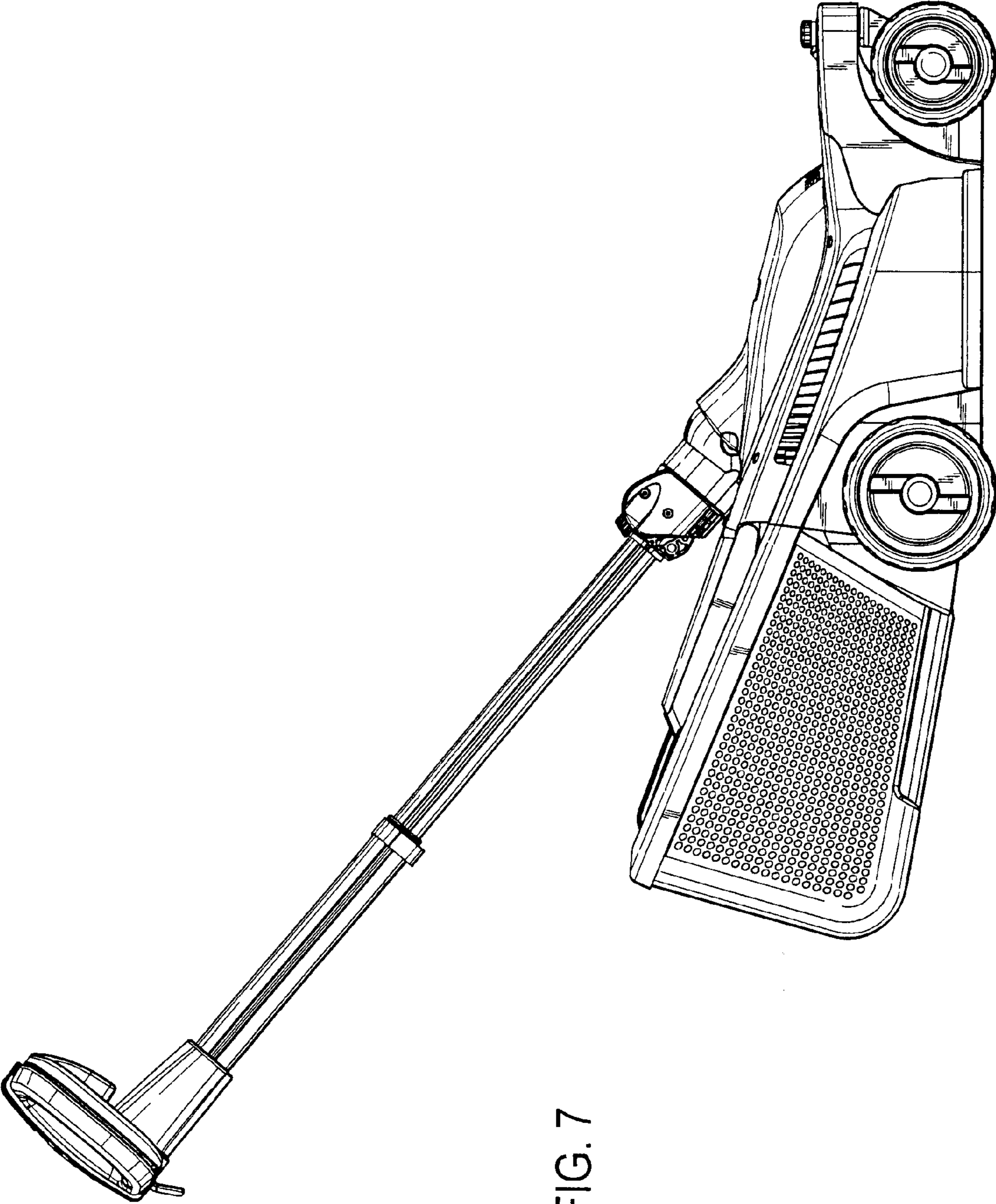


FIG. 7