

US00D508922S

(12) **United States Design Patent**
Li et al.

(10) **Patent No.:** **US D508,922 S**

(45) **Date of Patent:** **** Aug. 30, 2005**

(54) **HV 30 COMPRESSOR**

(75) Inventors: **Jianbao Li, Yuyao (CN); Yuanjing Zhang, Yuyao (CN)**

(73) Assignee: **Q Industries, Inc., Denver, CO (US)**

(**) Term: **14 Years**

(21) Appl. No.: **29/208,817**

(22) Filed: **Jul. 6, 2004**

(51) **LOC (8) Cl.** **15-02**

(52) **U.S. Cl.** **D15/9**

(58) **Field of Search** D15/7-9; 417/321,
417/410, 413.1, 415, 423.3, 486, 521, 534;
415/148

(56) **References Cited**

U.S. PATENT DOCUMENTS

D293,682 S * 1/1988 Liou D15/9
D419,567 S * 1/2000 Weiss D15/7

D486,835 S * 2/2004 Hsiao D15/9
D499,432 S * 12/2004 Chen D15/9
D499,475 S * 12/2004 Lehman et al. D23/340

* cited by examiner

Primary Examiner—Ralf Seifert

(74) *Attorney, Agent, or Firm*—Malloy & Malloy, P.A.

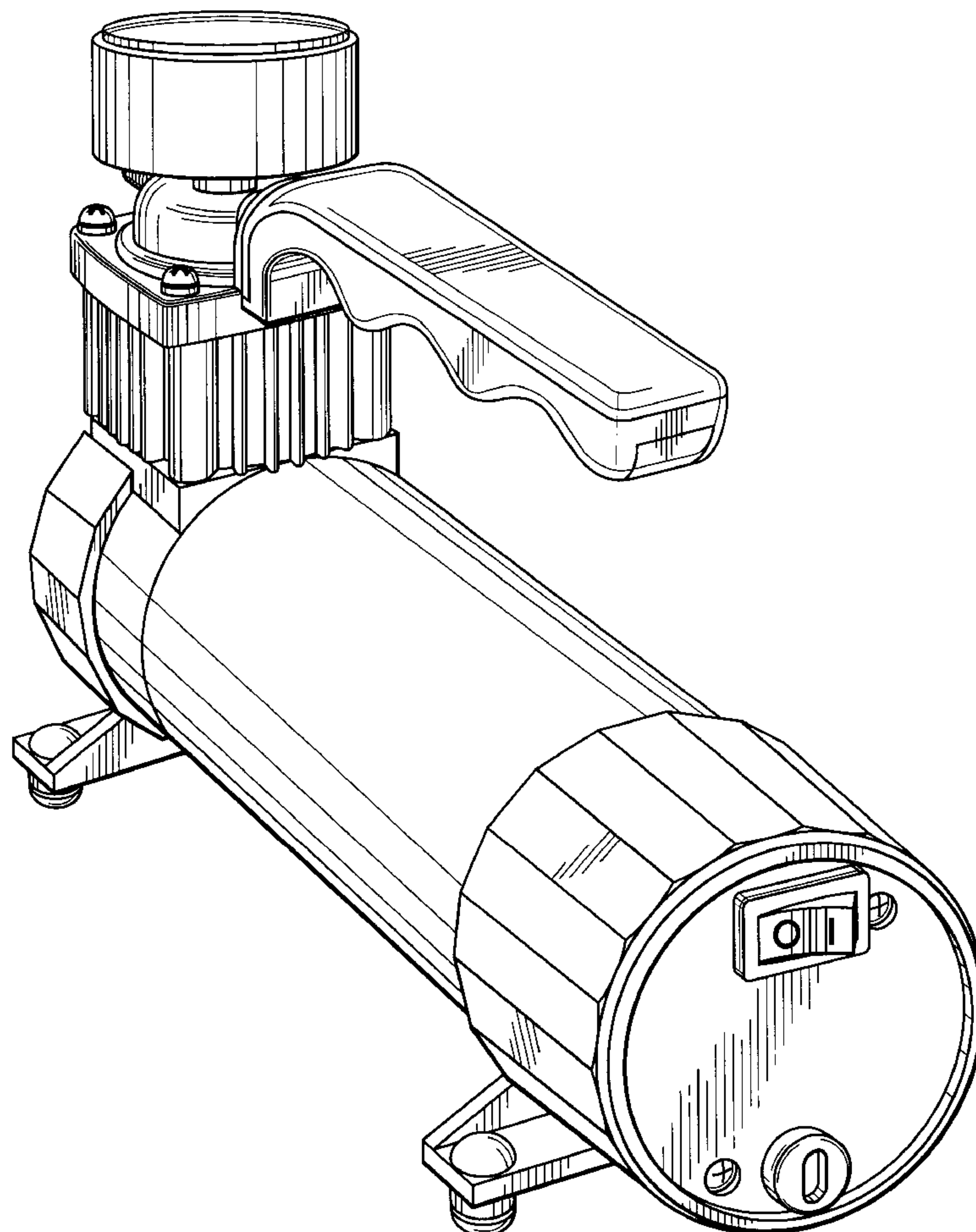
(57) **CLAIM**

The ornamental design for HV 30 compressor, as shown and described.

DESCRIPTION

FIG. 1 is a front perspective view illustrating my design for a HV 30 compressor;
FIG. 2 is a left side view thereof;
FIG. 3 is a front end view thereof;
FIG. 4 is a top view thereof;
FIG. 5 is a rear end view thereof;
FIG. 6 is a right side view thereof; and,
FIG. 7 is a bottom view thereof.

1 Claim, 6 Drawing Sheets



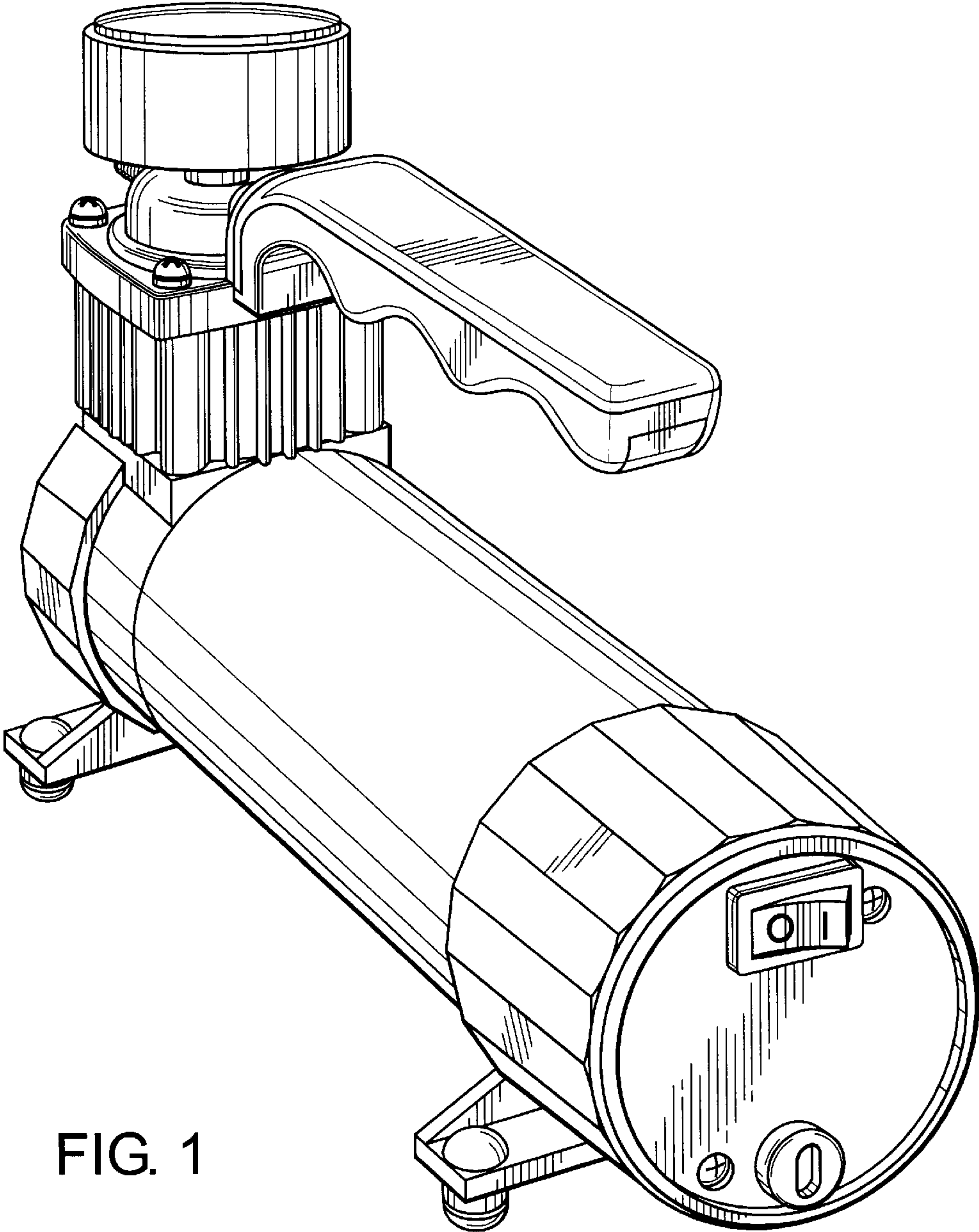


FIG. 1

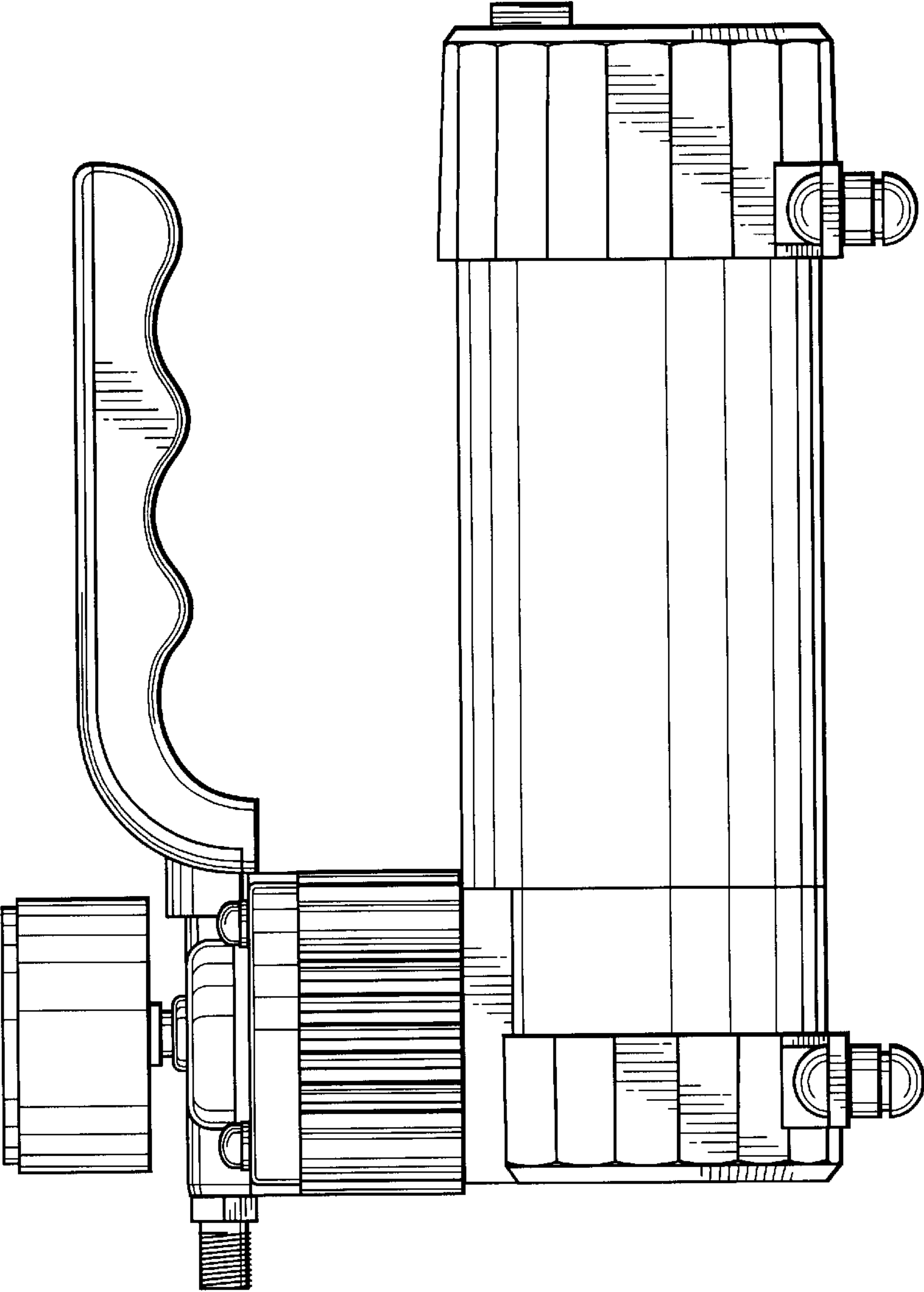


FIG. 2

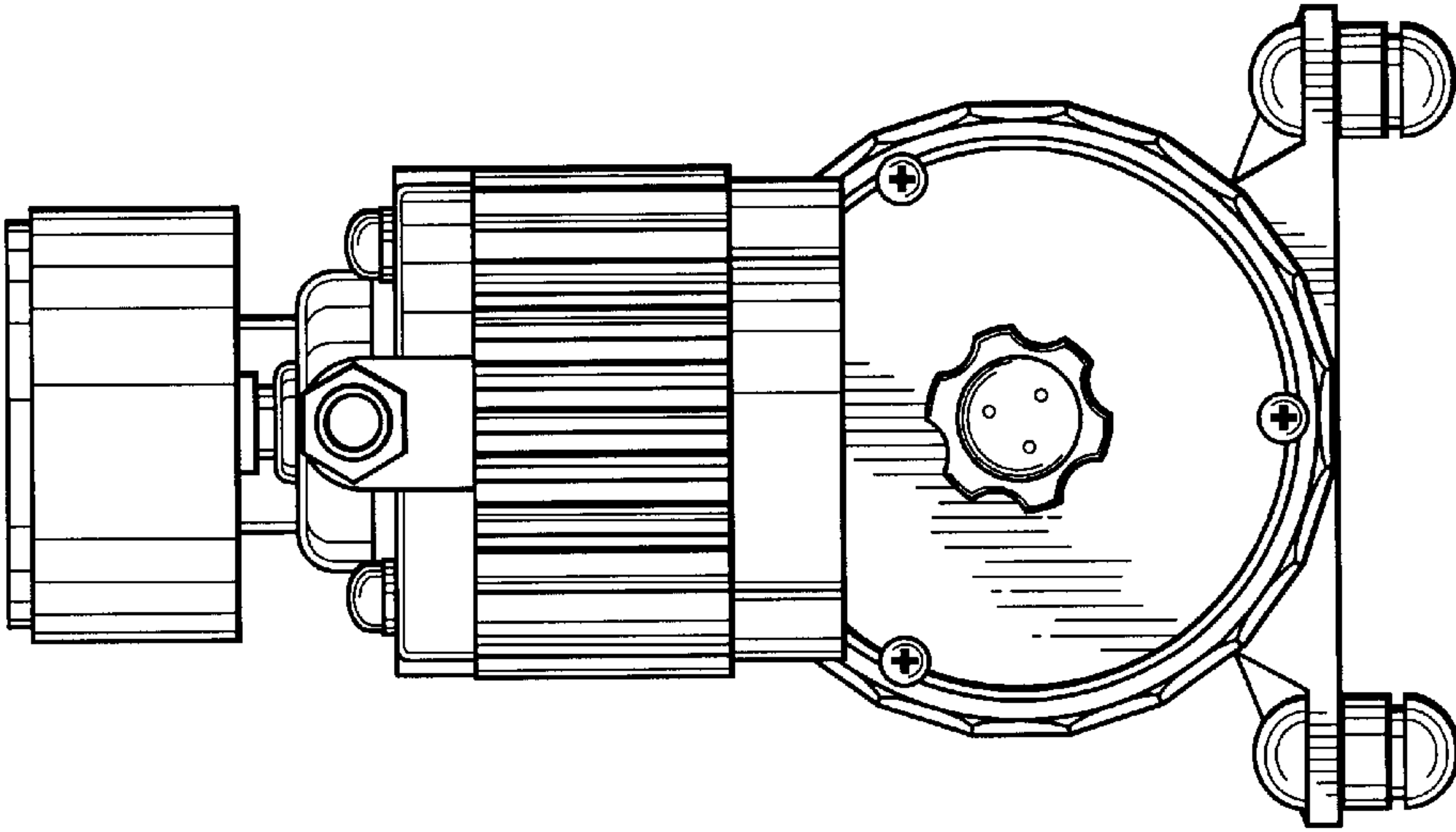


FIG. 5

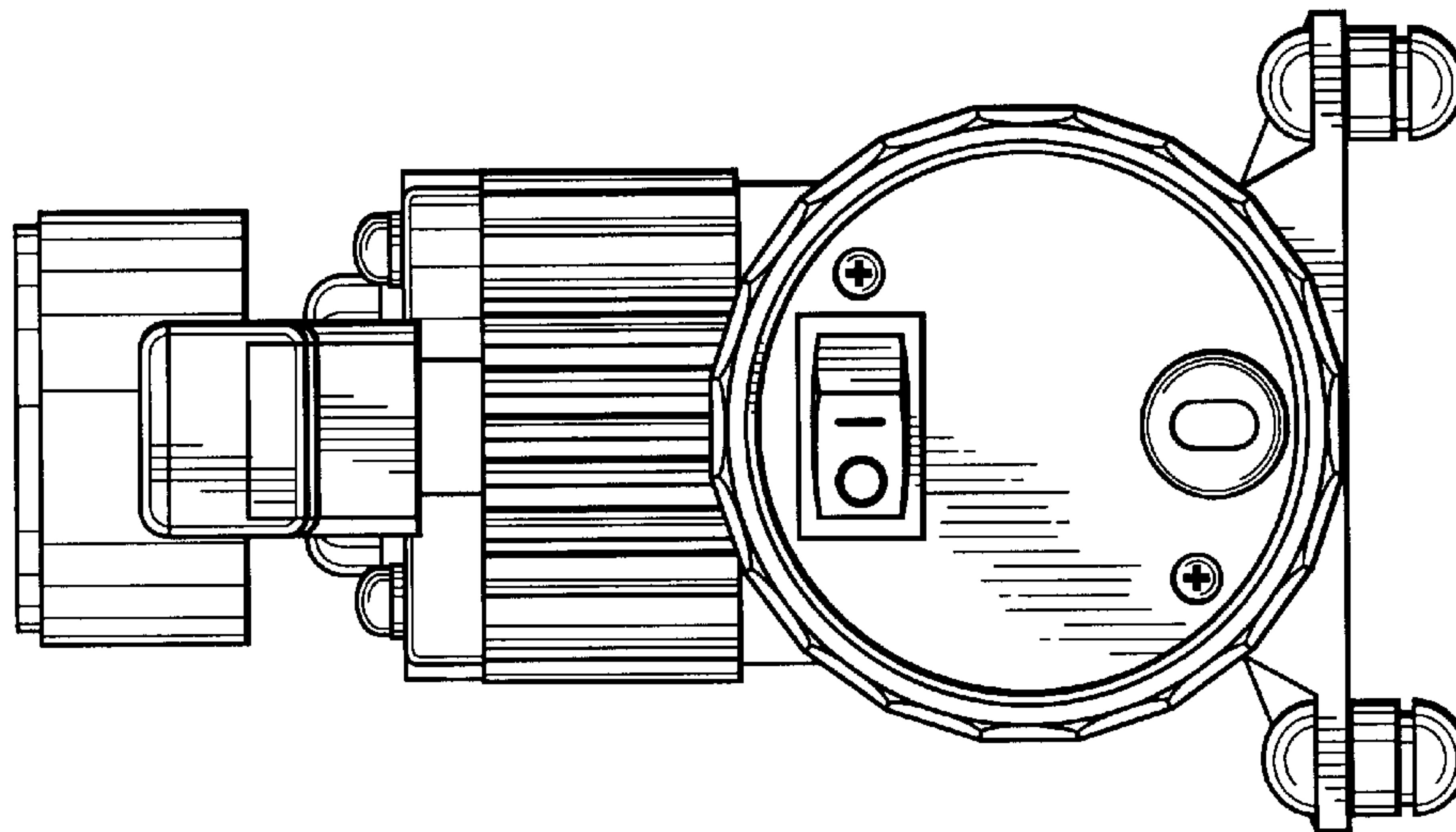


FIG. 3

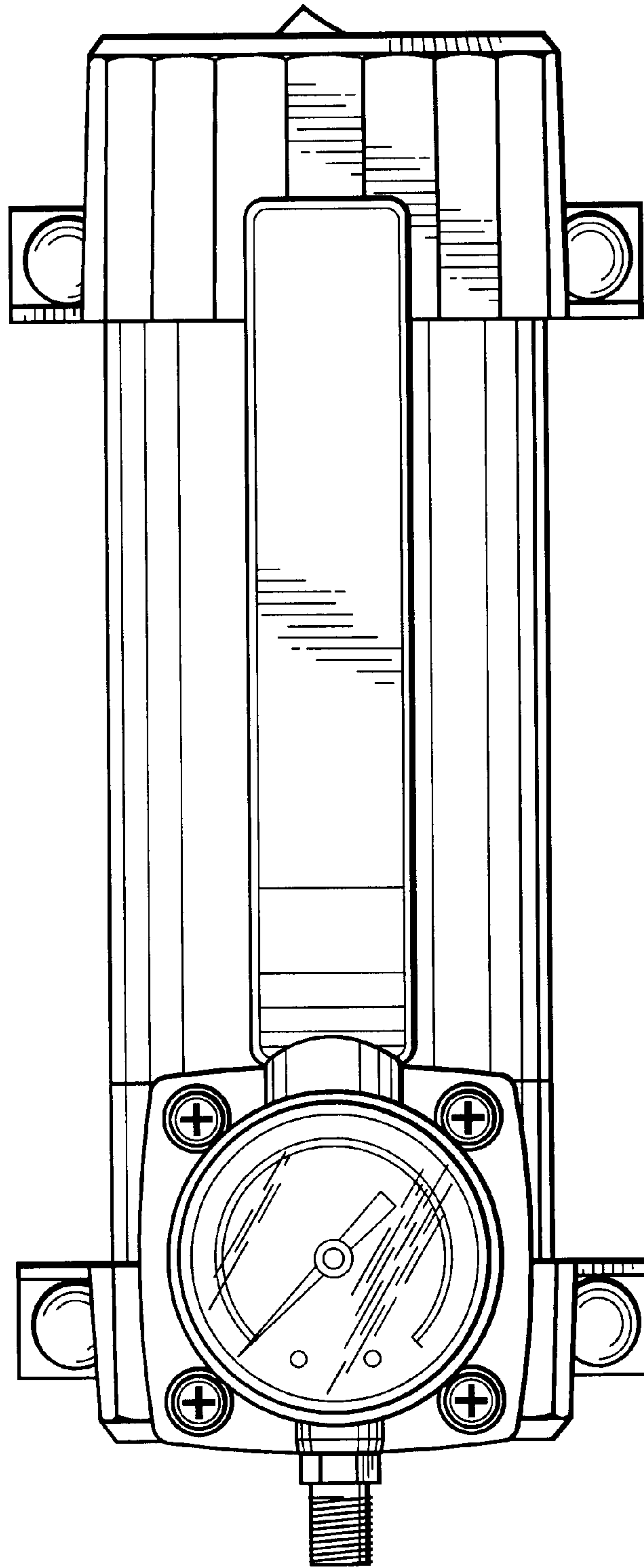


FIG. 4

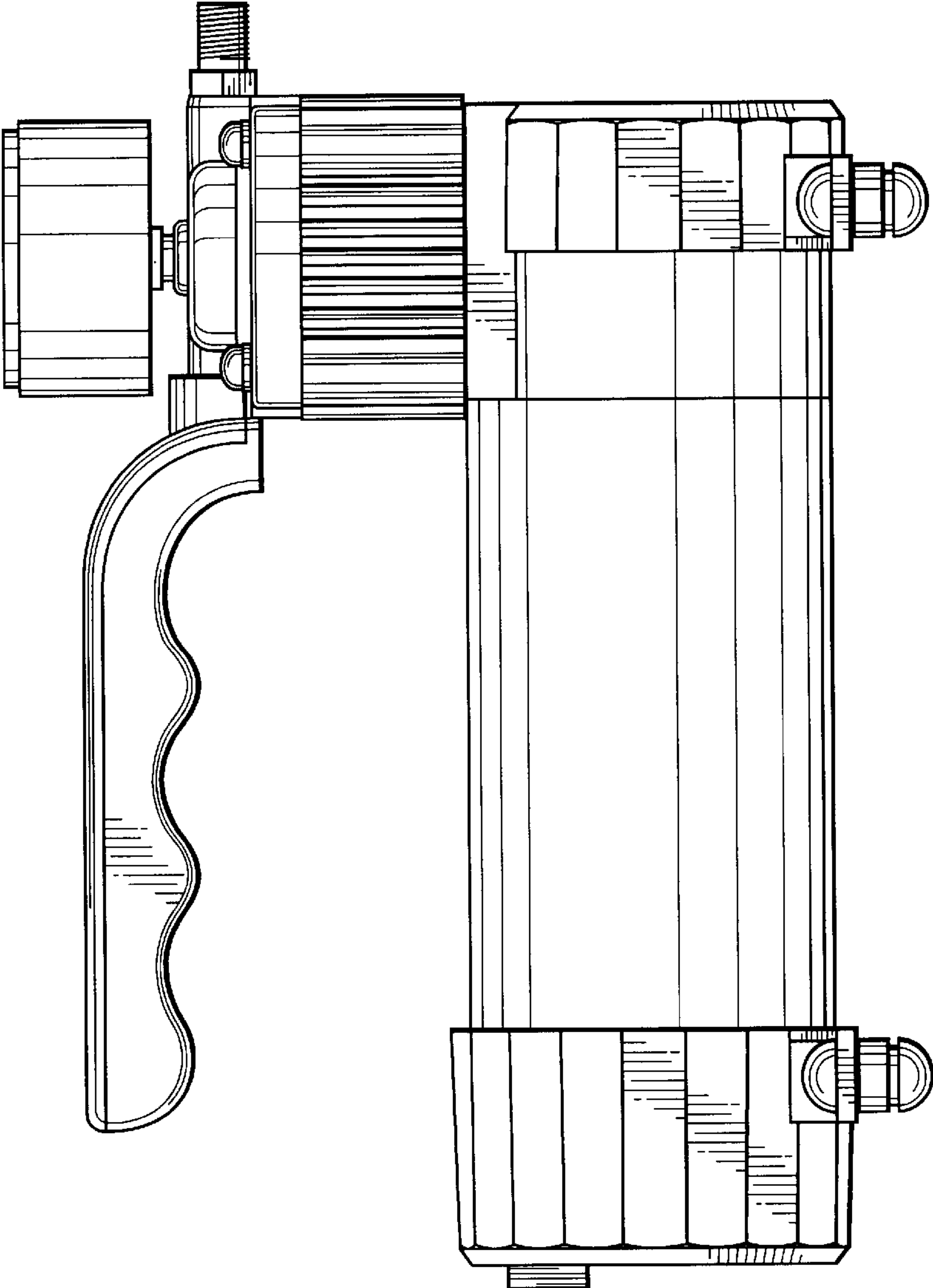


FIG. 6

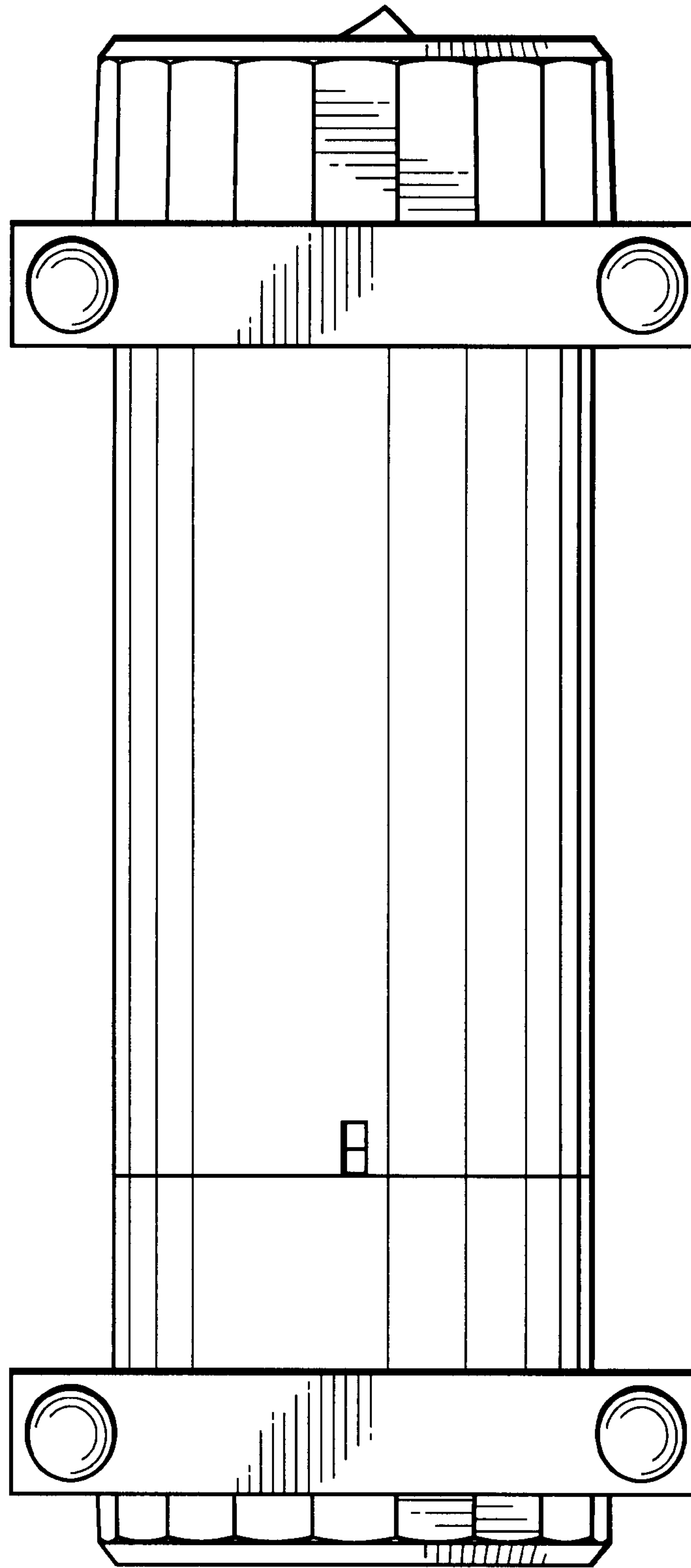


FIG. 7