



US00D508921S

(12) **United States Design Patent** (10) **Patent No.:** **US D508,921 S**  
**Hsieh et al.** (45) **Date of Patent:** **\*\* Aug. 30, 2005**

(54) **MOTOR DRIVEN PUMP**

(75) Inventors: **Hsueh-Hsiung Hsieh**, Carrollton, TX (US); **John M. Walker**, Carrollton, TX (US)

(73) Assignee: **Beckett Corporation**, Irving, TX (US)

(\*\*) Term: **14 Years**

(21) Appl. No.: **29/208,645**

(22) Filed: **Jul. 1, 2004**

(51) **LOC (8) Cl.** ..... **15-02**

(52) **U.S. Cl.** ..... **D15/7**

(58) **Field of Search** ..... D15/7-9; D23/231, D23/232; 417/410.4, 359, 360, 415, 410.3, 234, 229, 321, 36, 265, 405, 40

(56) **References Cited**

**U.S. PATENT DOCUMENTS**

D227,307 S	6/1973	Wells	
3,758,236 A	9/1973	Zimmerman	
4,275,995 A	* 6/1981	Taylor	417/40
D289,051 S	* 3/1987	Belletire	D15/7
D306,447 S	3/1990	Whitley, II	
D306,448 S	3/1990	Lannoch	
D328,305 S	7/1992	Wong	
D340,458 S	10/1993	Wang	
D340,726 S	10/1993	Wang	
D352,295 S	11/1994	Morgan	
D354,754 S	1/1995	Broughton	
D376,370 S	* 12/1996	Davis et al.	D15/7
D403,329 S	12/1998	Walker et al.	
D414,500 S	9/1999	Davis et al.	
D490,442 S	5/2004	Kuboshima et al.	

**OTHER PUBLICATIONS**

Hartell/Milton Roy KTP15 Pump brochure date unknown, 2 pp.

Hartell/Milton Roy KTP20 Pump brochure date unknown, 2 pp.

Hartell/Milton Roy KT-15 Pump brochure date unknown, 2 pp.

\* cited by examiner

*Primary Examiner*—Ralf Seifert

(74) *Attorney, Agent, or Firm*—Gardere Wynne Sewell LLP

(57) **CLAIM**

The ornamental design for a motor driven pump, as shown and described.

**DESCRIPTION**

FIG. 1 is a perspective view of a motor driven pump in accordance with our invention;

FIG. 2 is a front elevation view of the motor driven pump shown in FIG. 1;

FIG. 3 is a right side elevation view of the motor driven pump shown in FIG. 1;

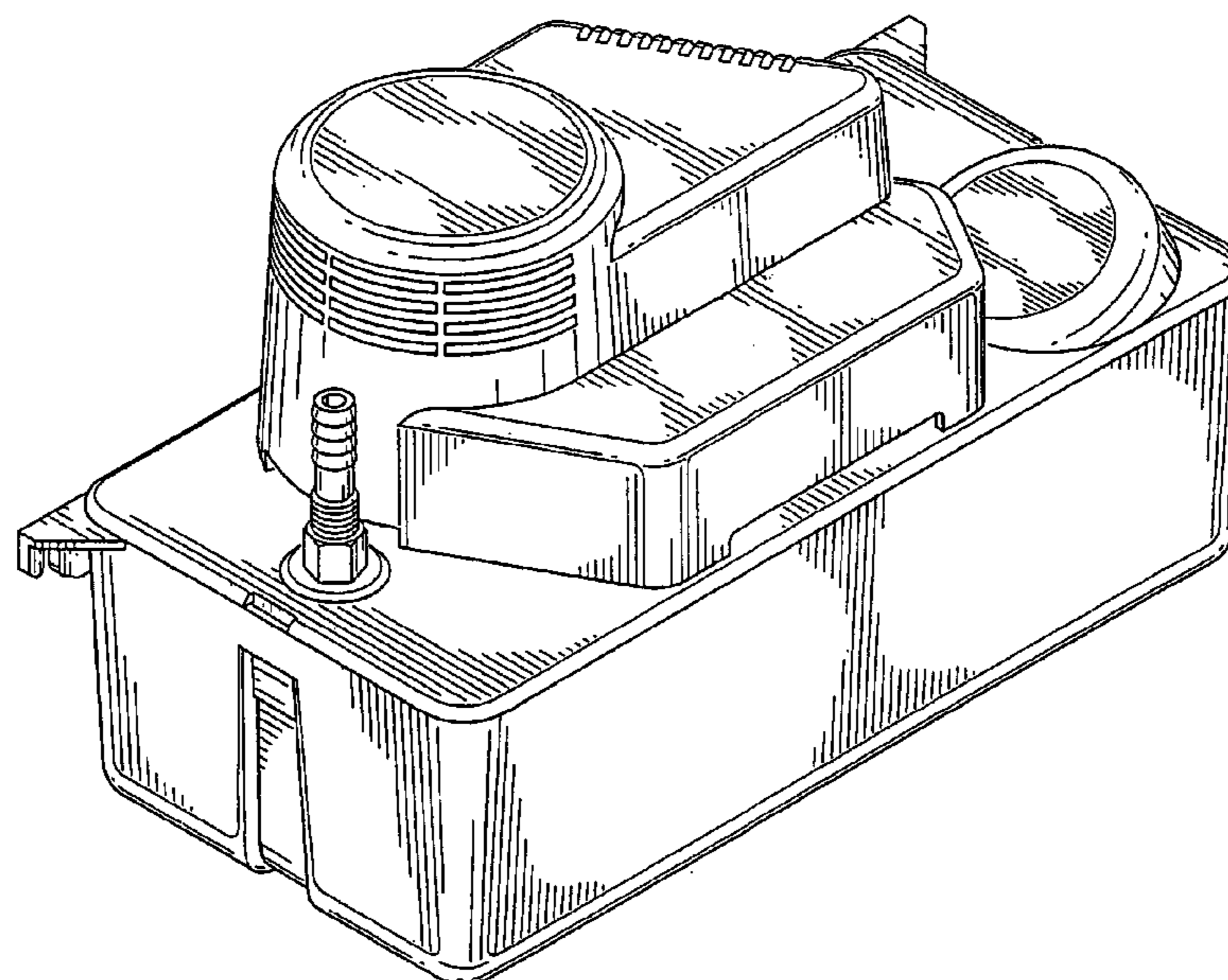
FIG. 4 is a left side elevation view of the motor driven pump shown in FIG. 1;

FIG. 5 is a rear elevation view of the motor driven pump shown in FIG. 1;

FIG. 6 is a top plan view of the motor driven pump shown in FIG. 1; and,

FIG. 7 is a bottom plan view of the motor driven pump shown in FIG. 1.

**1 Claim, 5 Drawing Sheets**



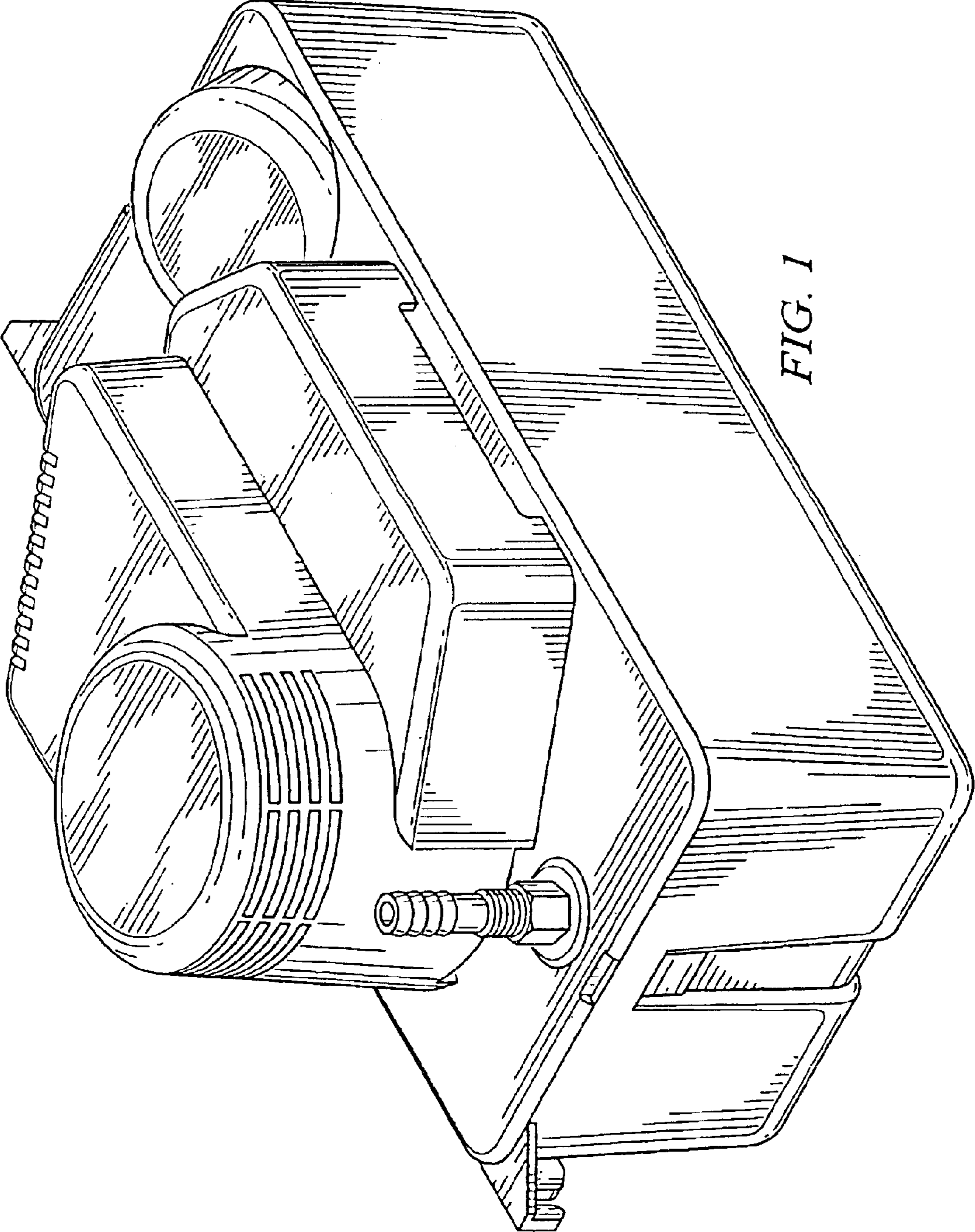


FIG. 1

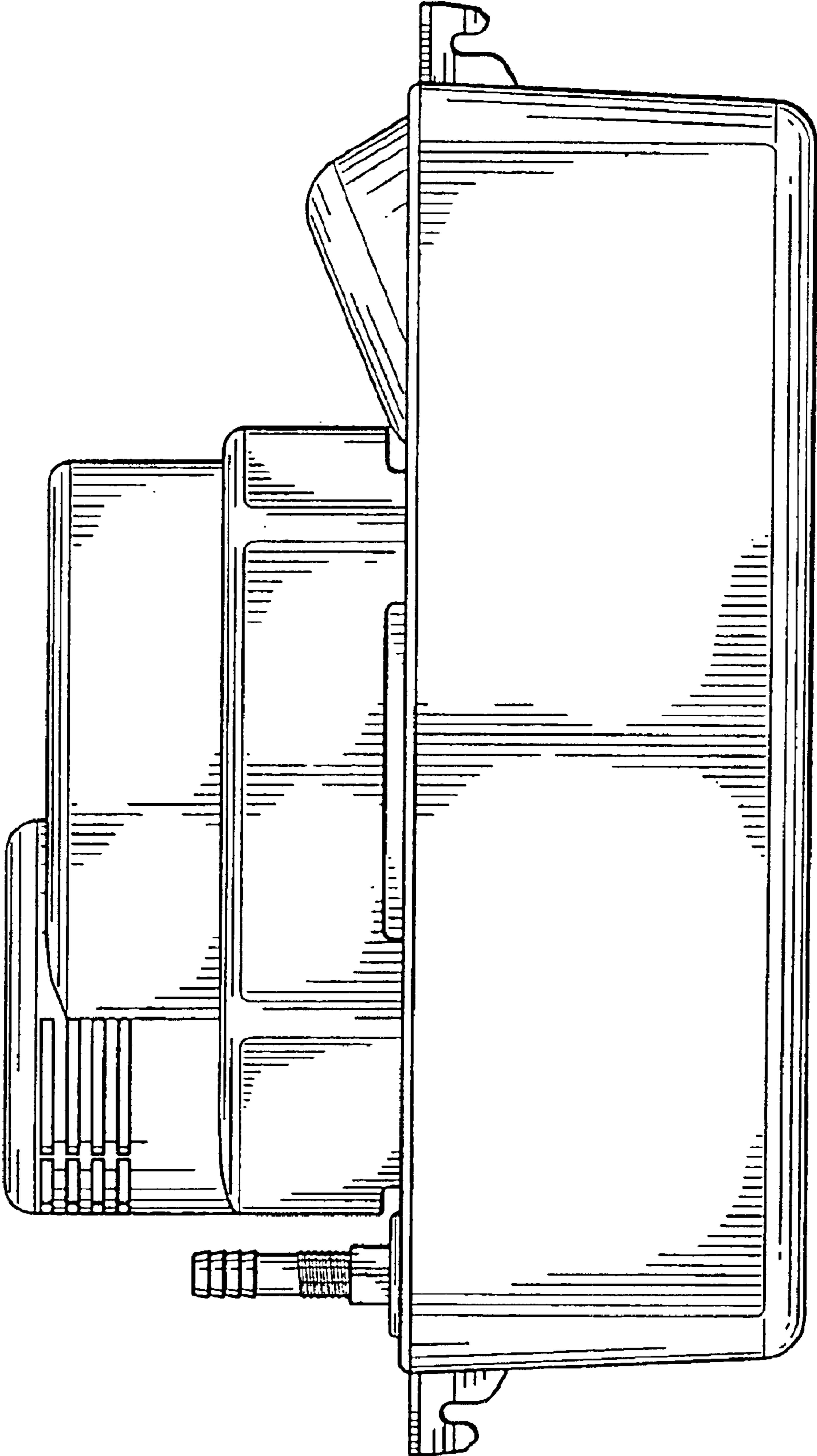


FIG. 2

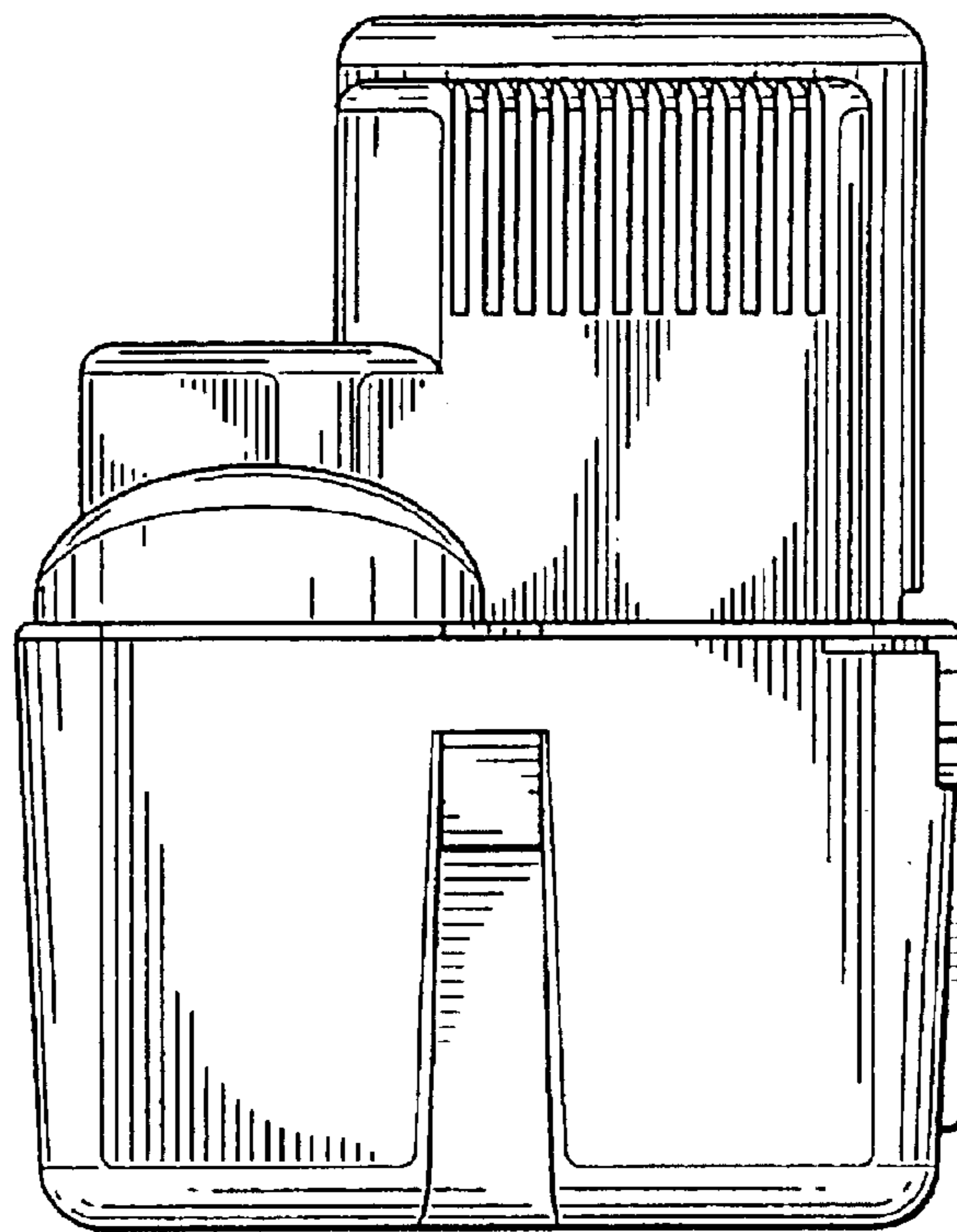


FIG. 3

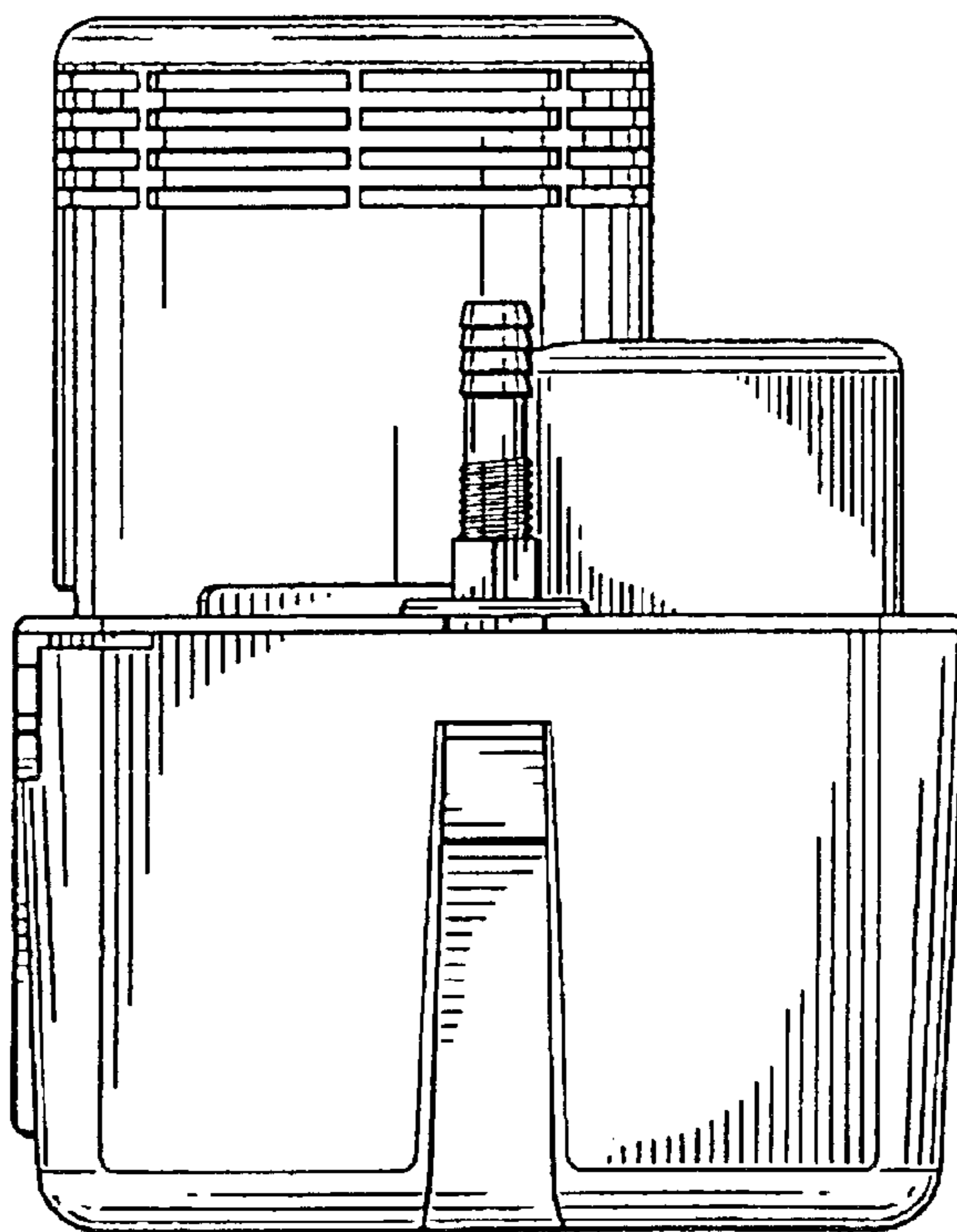


FIG. 4

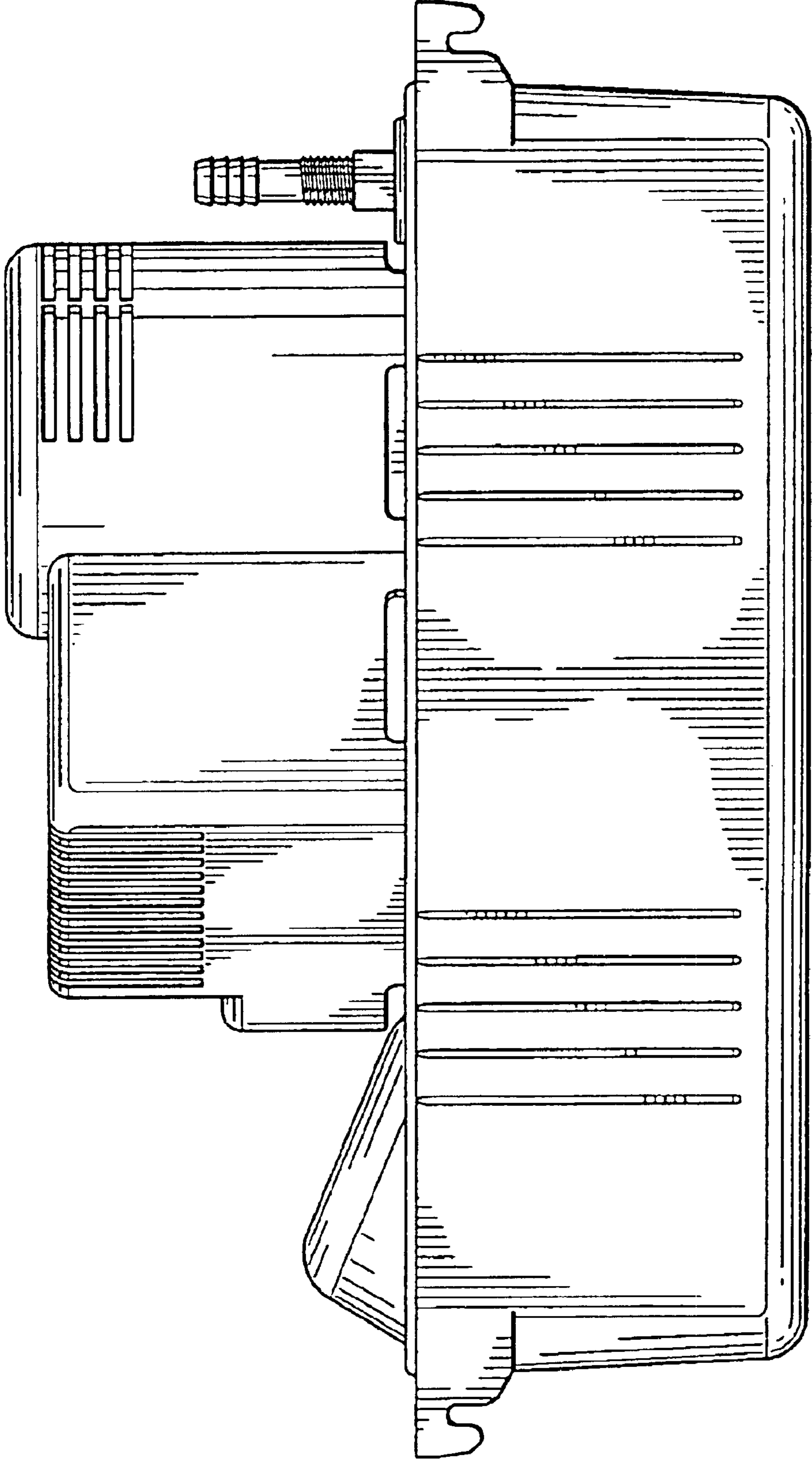


FIG. 5

FIG. 6

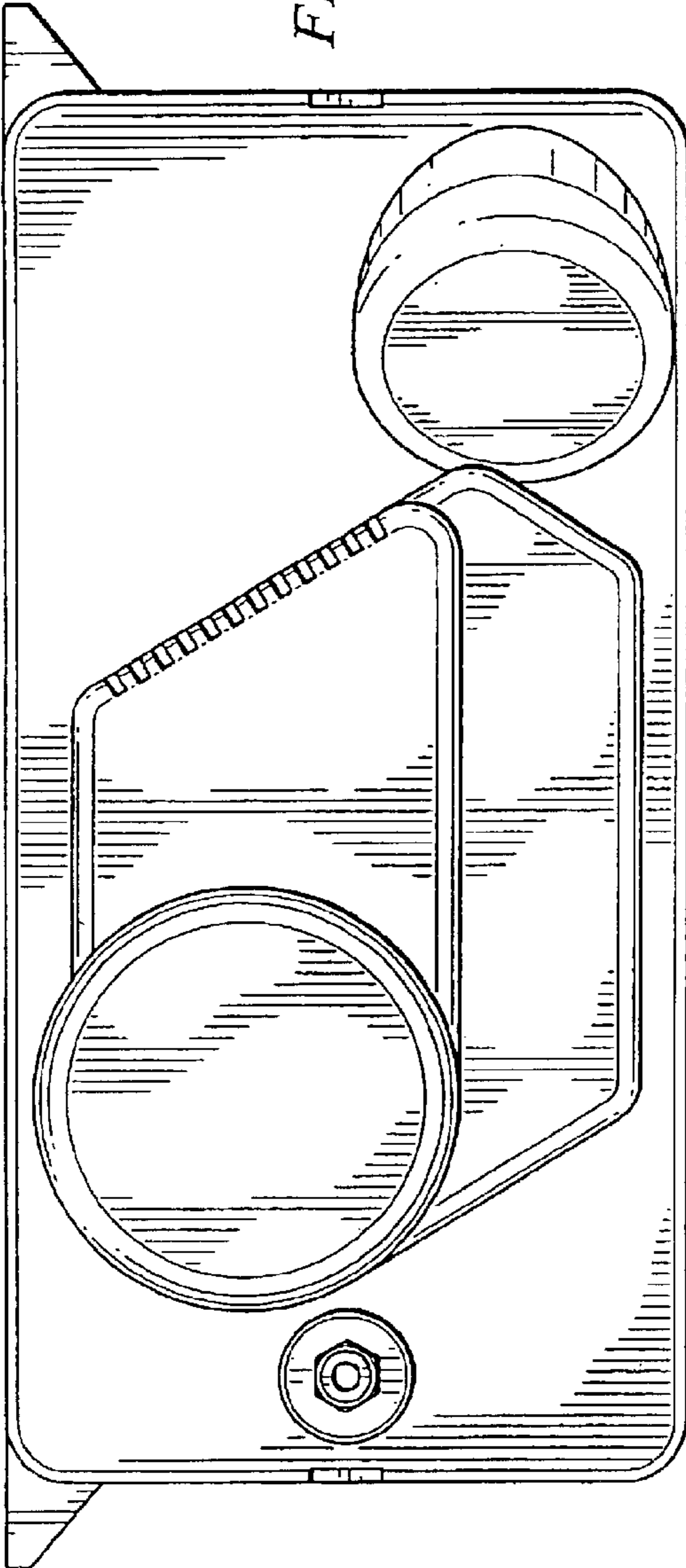


FIG. 7

