

US00D508918S

(12) **United States Design Patent** (10) **Patent No.:** **US D508,918 S**  
**Ritchey et al.** (45) **Date of Patent:** **\*\* Aug. 30, 2005**

(54) **KEYBOARD SUPPORT**  
(76) Inventors: **Eugene B. Ritchey**, 13821 Sable Blvd., Brighton, CO (US) 80601; **Craig E. Ritchey**, 14031 Sable Blvd., Brighton, CO (US) 80601

(\*\*) **Term:** **14 Years**

(21) **Appl. No.:** **29/202,943**

(22) **Filed:** **Apr. 6, 2004**

(51) **LOC (8) Cl.** ..... **14-02**

(52) **U.S. Cl.** ..... **D14/457**

(58) **Field of Search** ..... D14/432, 455, D14/457, 447, 458-461; 248/130, 118, 118.1, 118.3, 118.5, 346.01, 917-924; 400/689-693; 361/683

(56) **References Cited**

**U.S. PATENT DOCUMENTS**

669,009 A	2/1901	Ingraham	
2,224,530 A	12/1940	Weinstein	45/80
2,374,409 A	4/1945	Brennan	45/80
3,300,250 A	1/1967	Dollgener et al.	297/411
4,044,980 A	8/1977	Cummins	248/13
4,460,146 A	7/1984	Raggiotti	248/456
4,467,727 A	8/1984	Strommer	108/23
4,618,119 A	10/1986	Powell	248/456
5,135,190 A	8/1992	Wilson	248/118.1
5,145,270 A	9/1992	Darden	400/488
5,170,971 A	12/1992	Schaeffer et al.	248/118.1
5,244,296 A	9/1993	Jensen	400/715
5,292,097 A	3/1994	Russell	248/281.1
5,375,800 A	12/1994	Wilcox et al.	248/118.1
5,464,292 A	11/1995	Grant	400/715
5,492,291 A	2/1996	Otani	248/118.1
5,513,824 A	5/1996	Leavitt et al.	248/118.3
5,567,067 A	10/1996	Ambrose	400/472
5,582,375 A	12/1996	Martin	248/118.3
5,628,483 A	5/1997	Smith et al.	248/118
D391,941 S	3/1998	Brunner	D14/114
D392,956 S	* 3/1998	Gillis	D14/457

5,775,657 A	7/1998	Hung	248/289.11
5,826,992 A	10/1998	Camacho et al.	400/489
5,833,378 A	11/1998	Gibson	400/472
5,881,984 A	3/1999	Lin	248/284.1
D410,453 S	* 6/1999	Timm	D14/457
5,927,662 A	* 7/1999	West et al.	248/118
D427,165 S	* 6/2000	Knoblauch	D14/457
D439,910 S	* 4/2001	Tonizzo et al.	D14/457
D451,100 S	* 11/2001	Brillhart et al.	D14/457
6,353,530 B1	* 3/2002	Zarek et al.	361/683
6,543,949 B1	4/2003	Ritchey et al.	400/691
2002/0179781 A1	* 12/2002	Timm	248/118

**FOREIGN PATENT DOCUMENTS**

WO WO 98/23185 6/1998

\* cited by examiner

*Primary Examiner*—Freda S. Nunn  
(74) *Attorney, Agent, or Firm*—Sheridan Ross P.C.

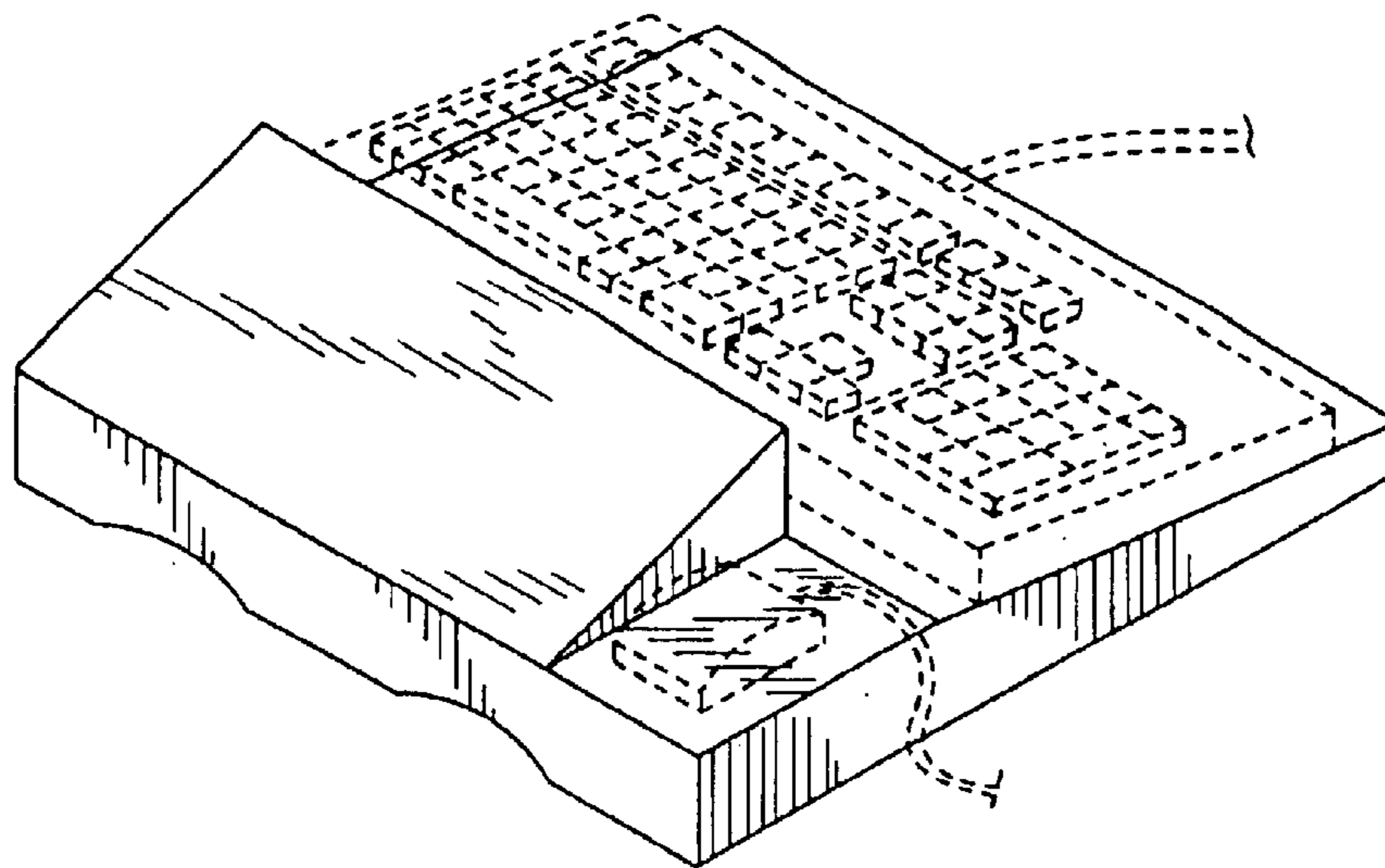
(57) **CLAIM**

The ornamental design for a keyboard support, as shown and described.

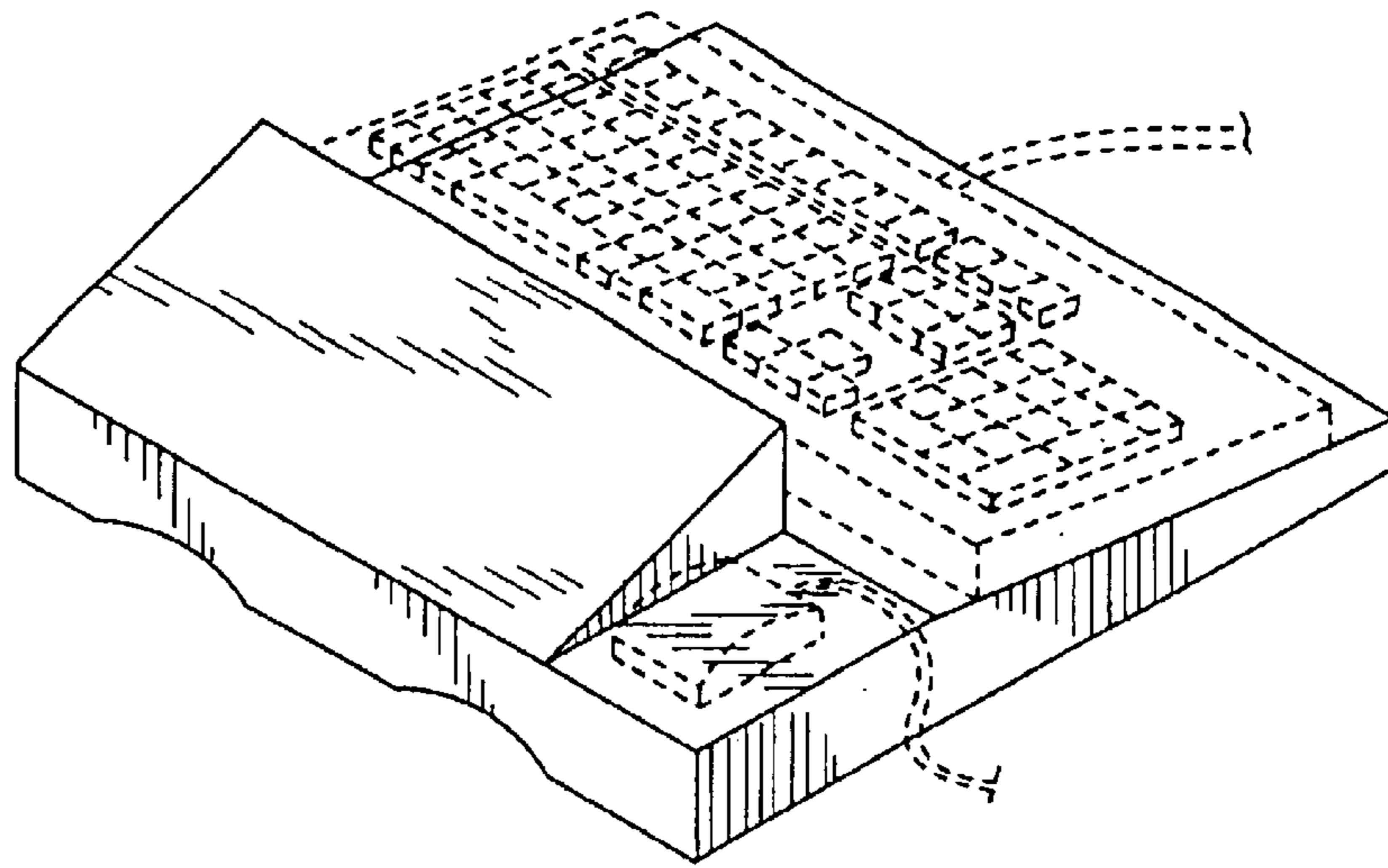
**DESCRIPTION**

FIG. 1 is a front perspective view of the keyboard support, showing our new design, the broken lines depicting a keyboard and mouse and forming no part of the claimed design;  
FIG. 2 is a left elevation view of the invention illustrated in FIG. 1;  
FIG. 3 is a top plan view of the invention illustrated in FIG. 1;  
FIG. 4 is a rear elevation view of the invention illustrated in FIG. 1;  
FIG. 5 is a bottom plan view of the invention illustrated in FIG. 1;  
FIG. 6 is a right elevation view of the invention illustrated in FIG. 1; and,  
FIG. 7 is a front elevation view of the invention illustrated in FIG. 1.

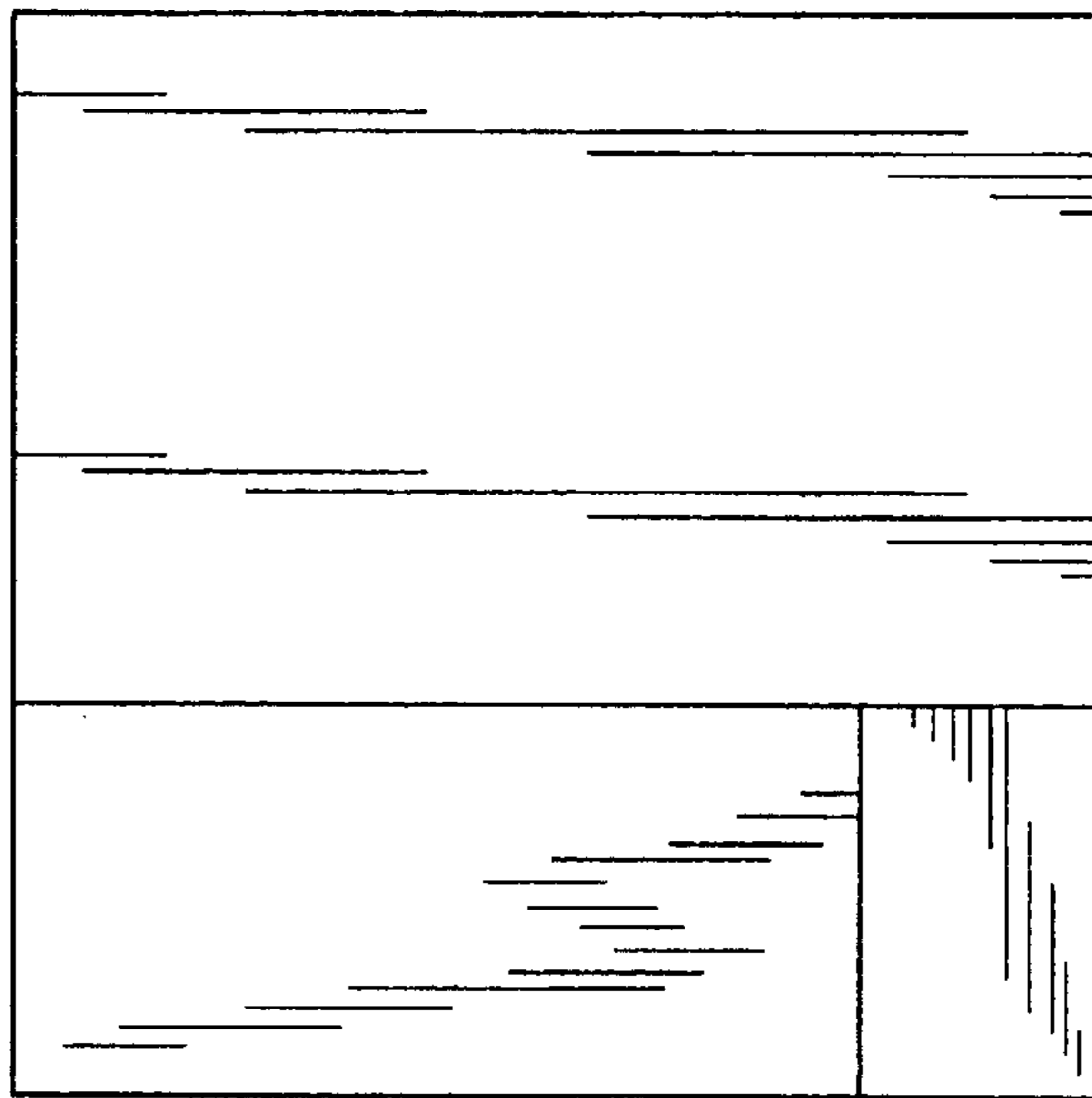
**1 Claim, 2 Drawing Sheets**



**Fig. 1**

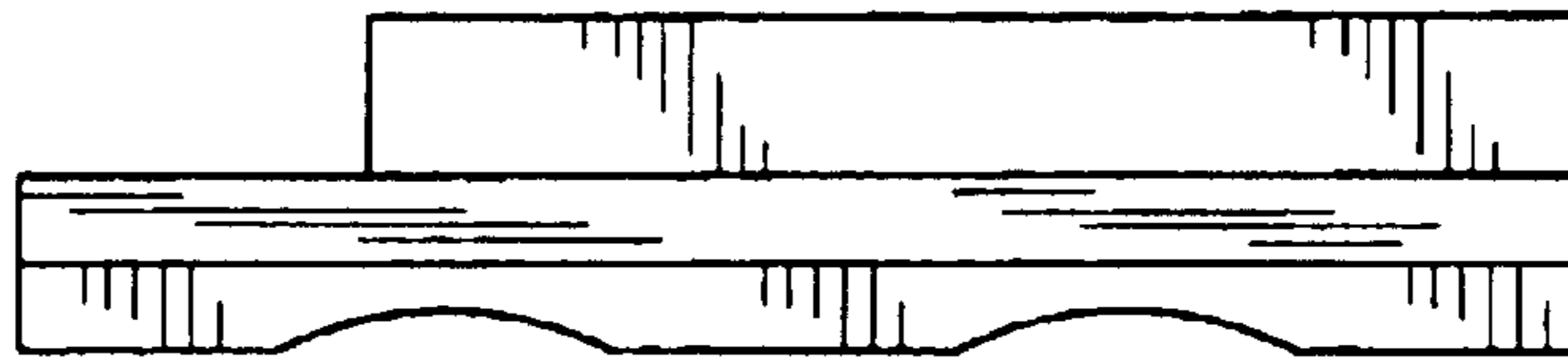


**Fig. 2**

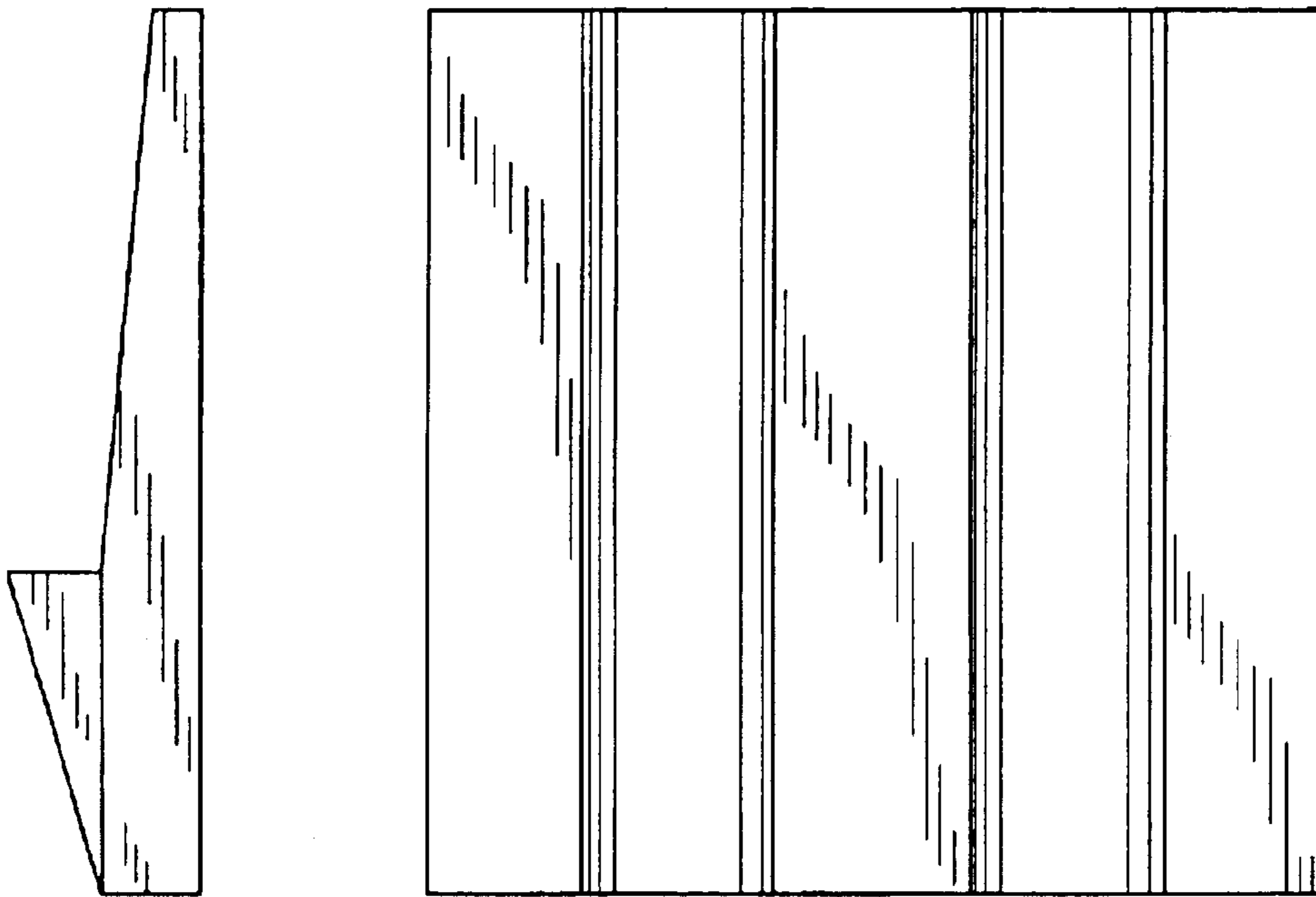


**Fig. 3**

**Fig. 4**



**Fig. 5**



**Fig. 6**

**Fig. 7**

