

US00D508917S

(12) **United States Design Patent**
Wills et al.

(10) **Patent No.: US D508,917 S**

(45) **Date of Patent: ** Aug. 30, 2005**

(54) **MONITOR SUPPORT ARM**

(75) Inventors: **Andrew Wills**, London (GB); **Oliver Price**, London (GB); **Alex Lau**, London (GB)

(73) Assignee: **Colebrook Bosson Saunders Products Limited**, London (GB)

(**) Term: **14 Years**

(21) Appl. No.: **29/186,317**

(22) Filed: **Jul. 14, 2003**

(51) **LOC (8) Cl.** **14-02**

(52) **U.S. Cl.** **D14/452**

(58) **Field of Search** D14/432, 447-448, D14/451, 452, 457; D8/380; 248/126, 286.1, 274.1; 362/430

(56) **References Cited**

U.S. PATENT DOCUMENTS

4,687,167	A	*	8/1987	Skalka et al.	248/126
5,379,205	A	*	1/1995	Peng	362/430
5,553,820	A	*	9/1996	Karten et al.	248/286.1
D390,450	S	*	2/1998	Rosen	D8/380
D429,251	S	*	8/2000	Sundy et al.	D14/457
D435,852	S	*	1/2001	Oddsens, Jr.	D14/452
6,409,134	B1	*	6/2002	Oddsens, Jr.	248/274.1

* cited by examiner

Primary Examiner—Freda S. Nunn

(74) *Attorney, Agent, or Firm*—Carter, DeLuca, Farrell & Schmidt LLP

(57) **CLAIM**

The ornamental design for a monitor support arm, as shown and described.

DESCRIPTION

FIG. 1 is a perspective view of the monitor support arm according to the present design;

FIG. 2 is a front elevational view of the monitor support arm of FIG. 1;

FIG. 3 is a rear elevational view of the monitor support arm of FIGS. 1 and 2;

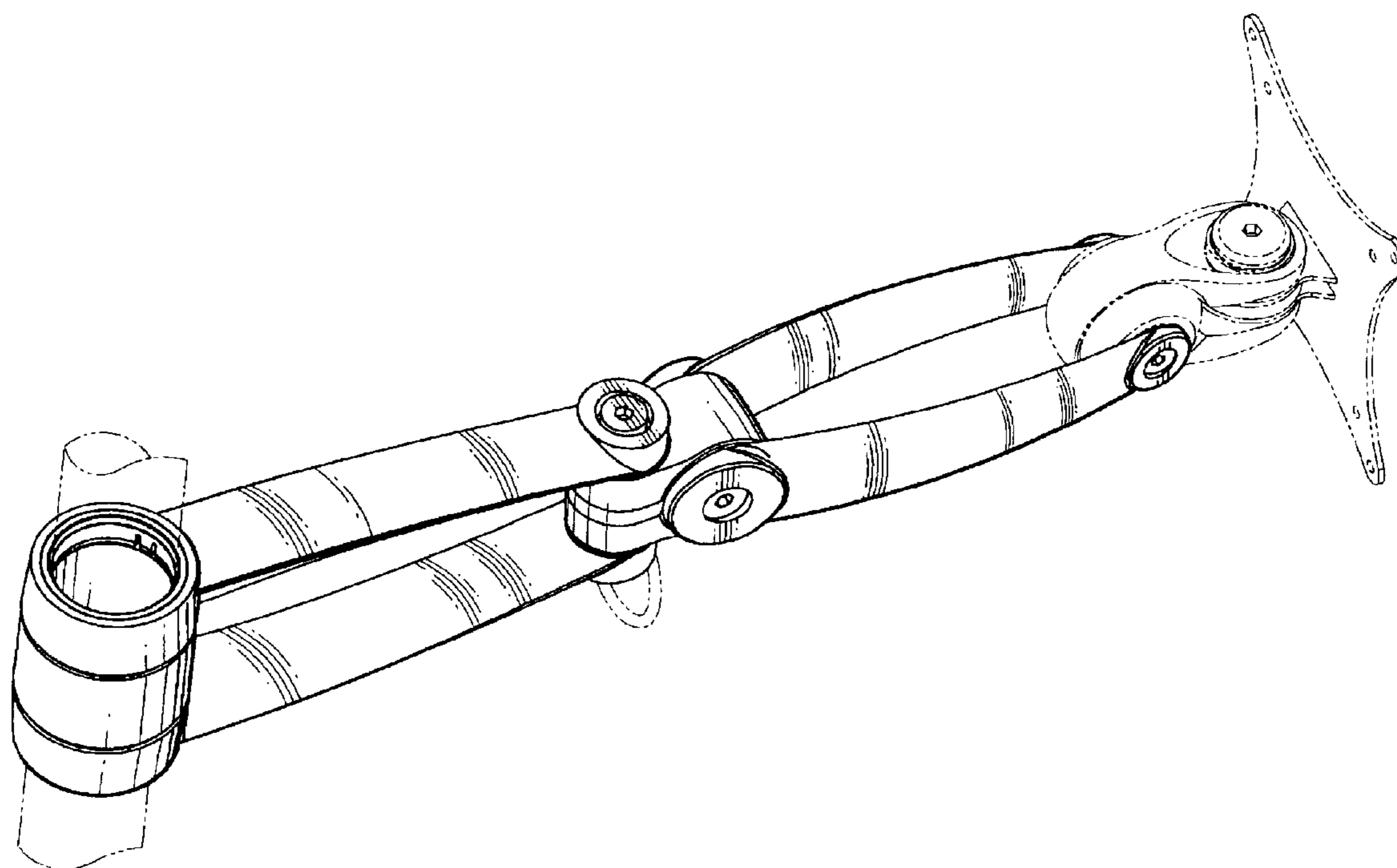
FIG. 4 is a right side elevational view of the monitor support arm of FIGS. 1-3, the left side elevational view being a mirror image of the right side elevational view;

FIG. 5 is a top plan view of the monitor support arm of FIGS. 1-3, the bottom plan view being a mirror image of the top plan view; and,

FIG. 6 is a perspective view of the monitor support arm of FIGS. 1-4 illustrating the pivoting of the monitor support arm about a pivot point thereof.

Throughout FIGS. 1-6 a mounting post to which the monitor support arm is attached and a mounting assembly for securing a monitor to the monitor support arm are shown in phantom lines for illustrative purposes only and do not constitute a part of the claimed design.

1 Claim, 4 Drawing Sheets



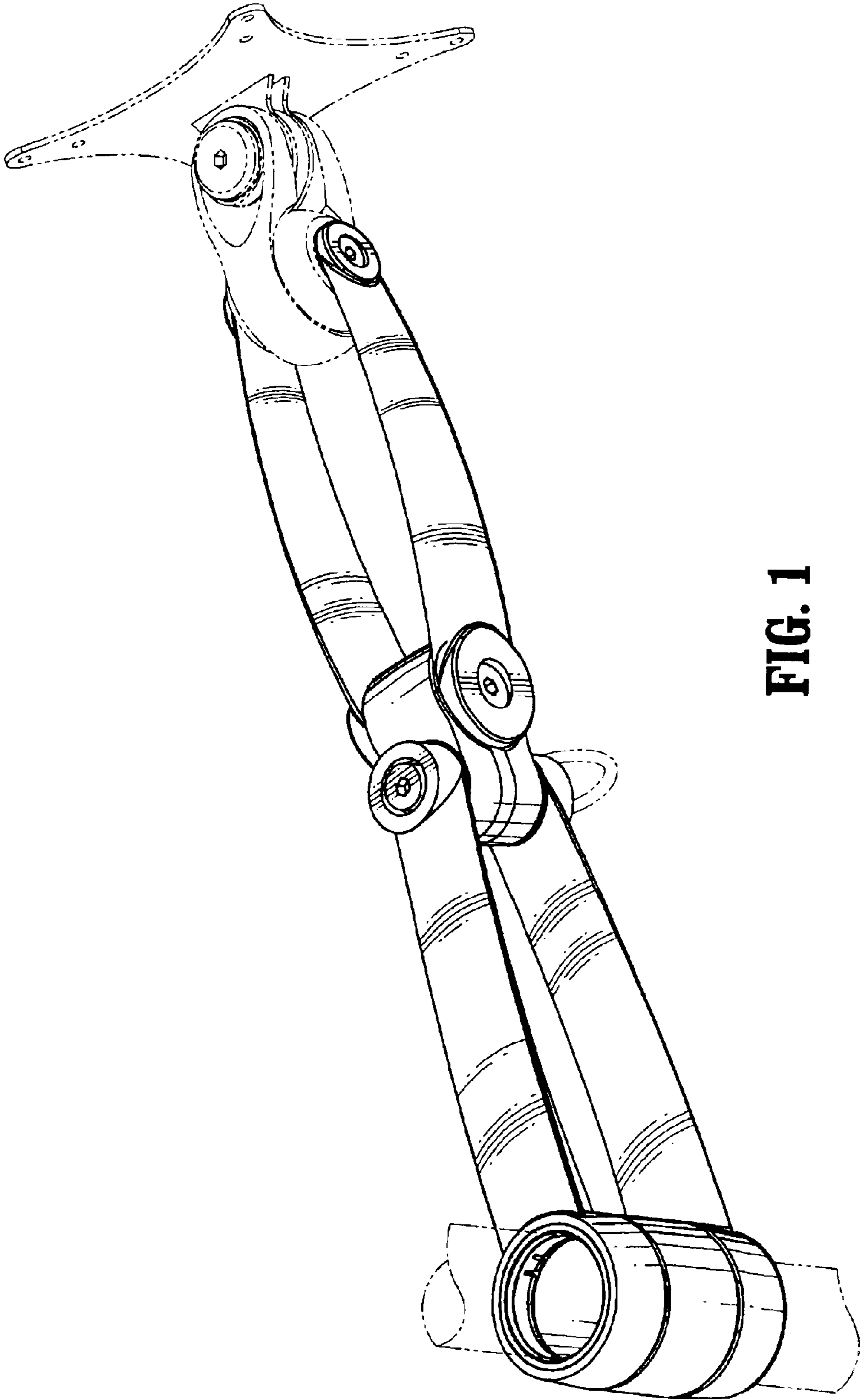


FIG. 1

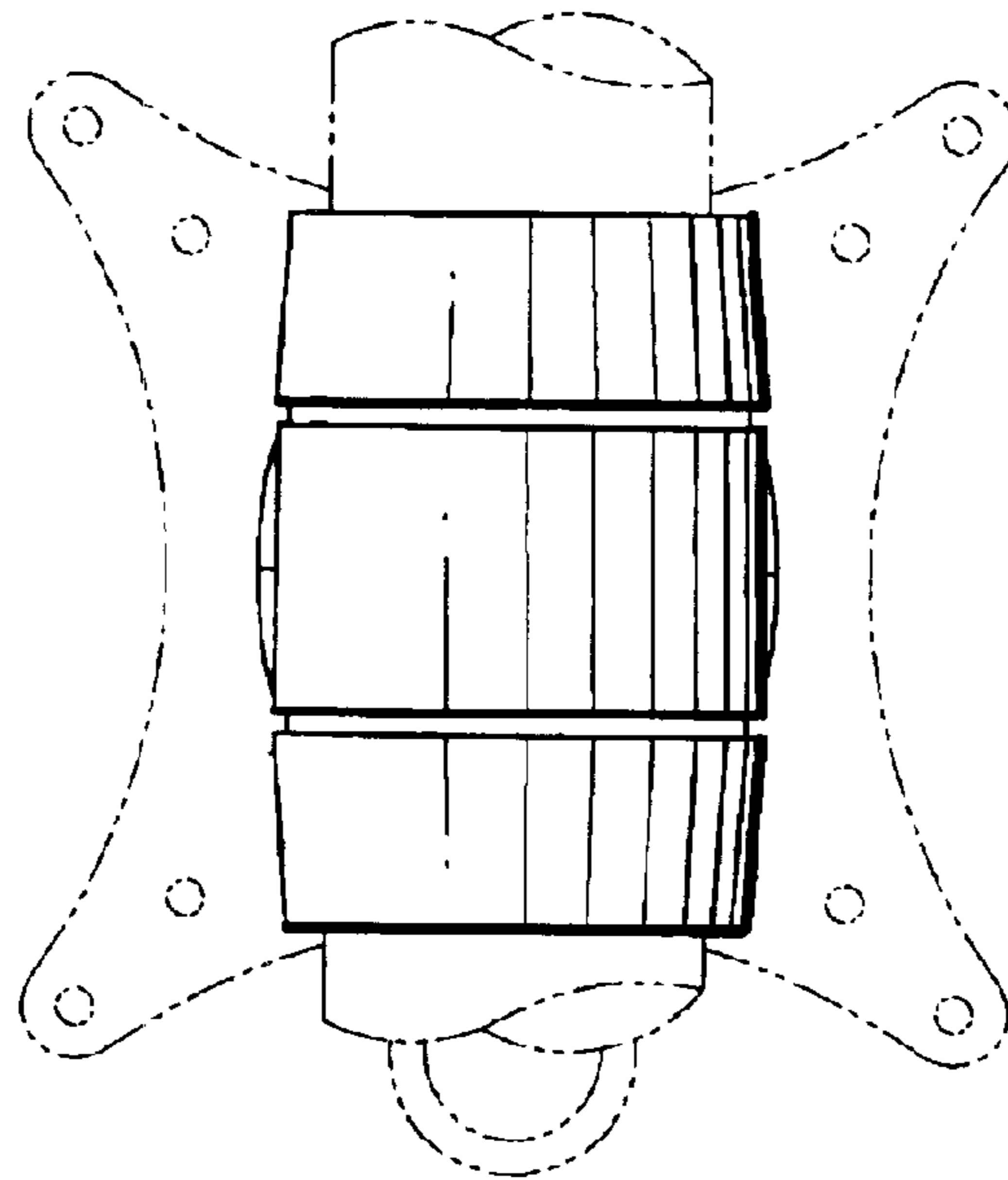


FIG. 2

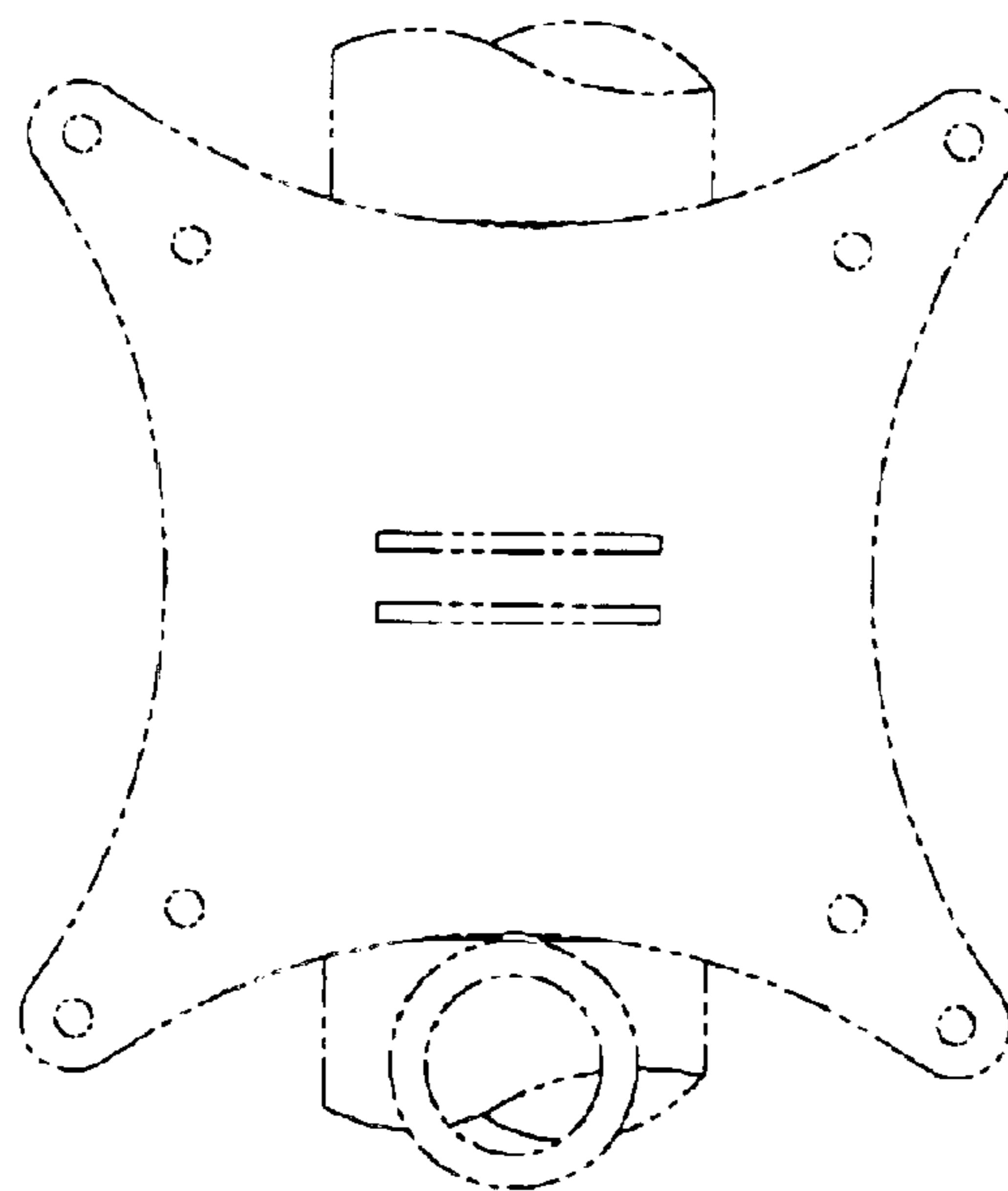


FIG. 3

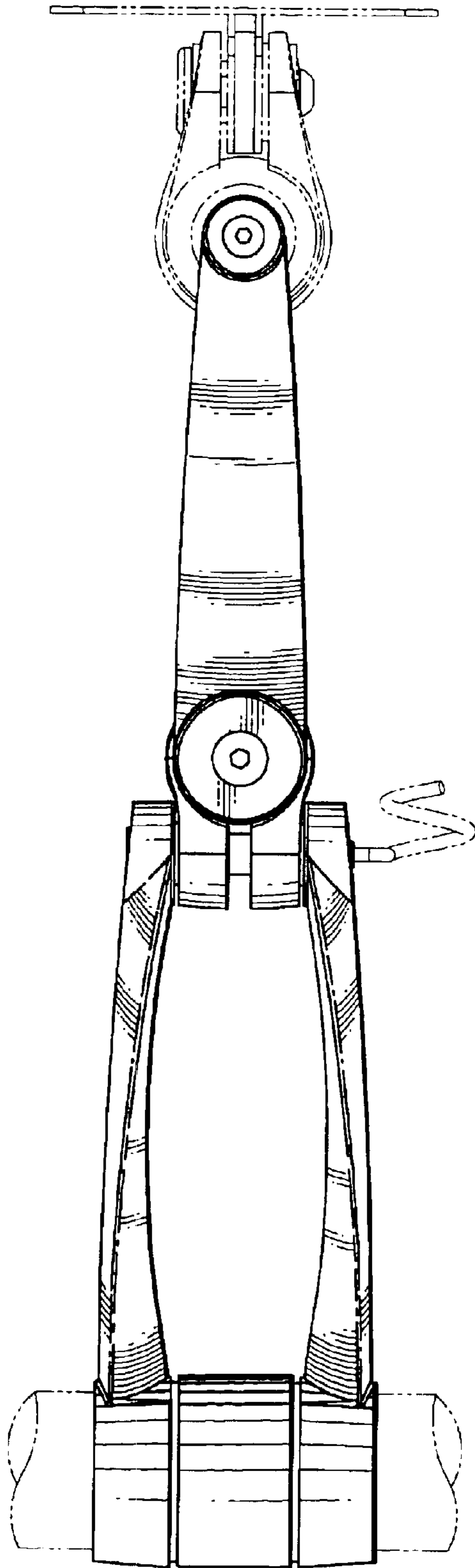


FIG. 4

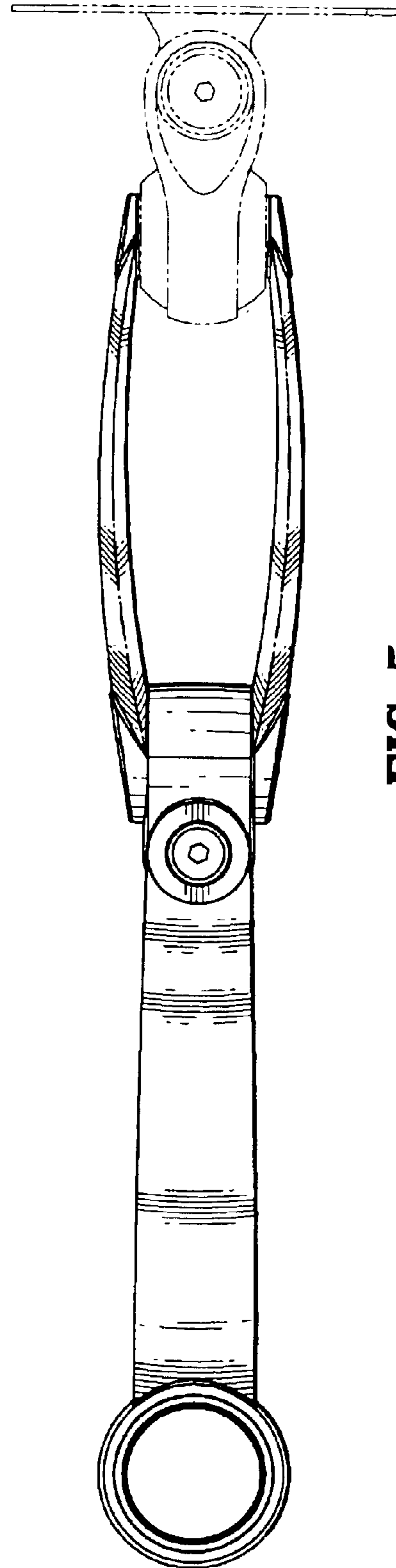


FIG. 5

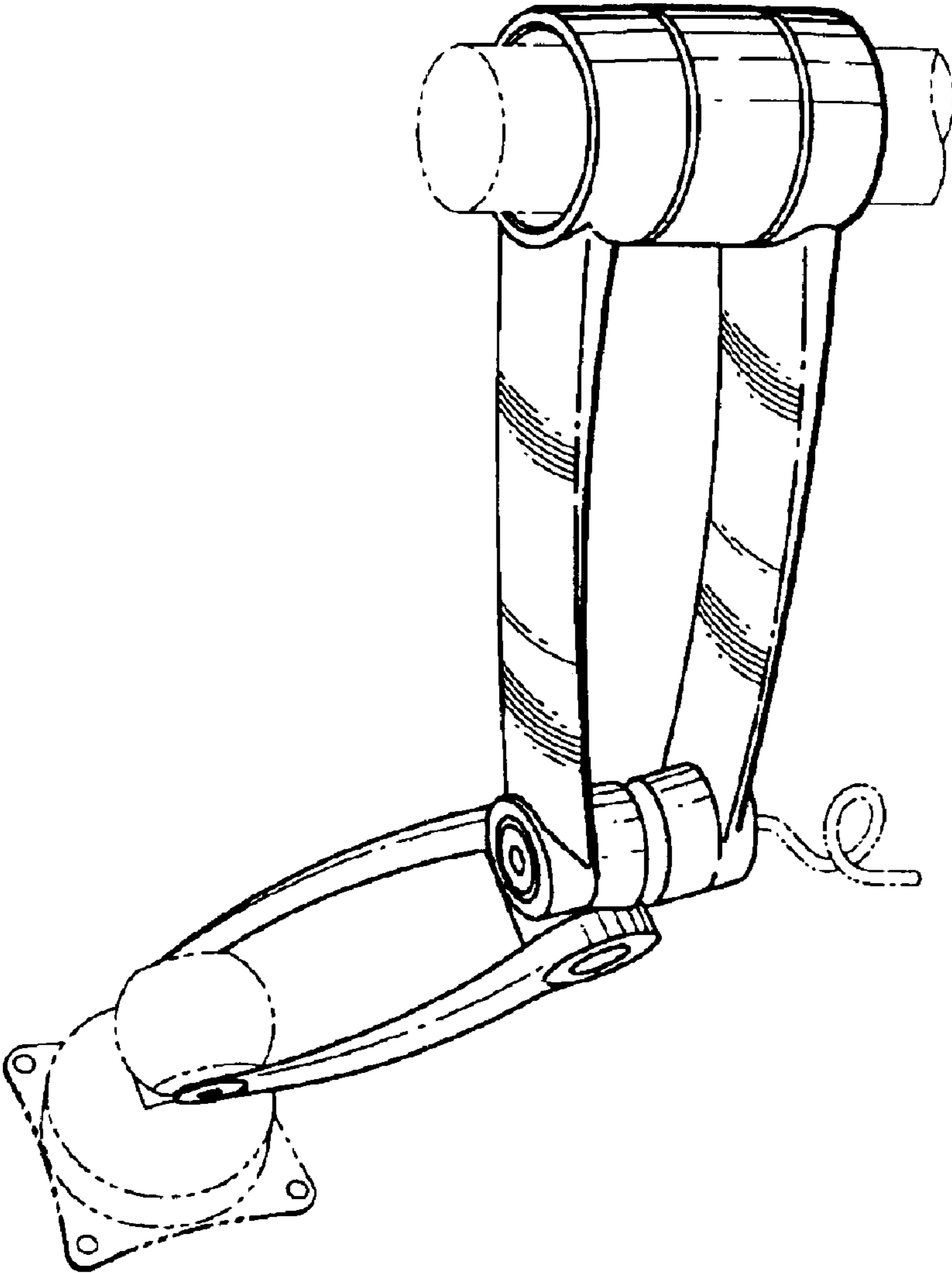


FIG. 6