

US00D508916S

(12) **United States Design Patent**  
**Lee**

(10) **Patent No.:** **US D508,916 S**

(45) **Date of Patent:** **\*\* Aug. 30, 2005**

(54) **PANEL COMPUTER HOLDER**  
(75) Inventor: **Wang-Tsai Lee, Pan Chiao (TW)**  
(73) Assignee: **Amtek System Co., Ltd., Taipei Hsien (TW)**

5,859,762 A \* 1/1999 Clark et al. .... 361/686  
5,899,421 A \* 5/1999 Silverman ..... 248/175  
D415,742 S \* 10/1999 Kolls ..... D14/434  
D457,162 S \* 5/2002 Hawkins et al. .... D14/434  
D472,900 S \* 4/2003 Matsumoto ..... D14/447

(\*\*) Term: **14 Years**

\* cited by examiner

*Primary Examiner*—Freda S. Nunn

(74) *Attorney, Agent, or Firm*—Rosenberg, Klein & Lee

(21) Appl. No.: **29/188,346**

(57) **CLAIM**

(22) Filed: **Aug. 19, 2003**

The ornamental design for a “panel computer holder,” as shown and described.

(51) **LOC (8) Cl.** ..... **14-02**

(52) **U.S. Cl.** ..... **D14/447; D14/434**

(58) **Field of Search** ..... D14/432–434,  
D14/447, 451; D8/363; 439/95; 361/680–686;  
248/131, 175

**DESCRIPTION**

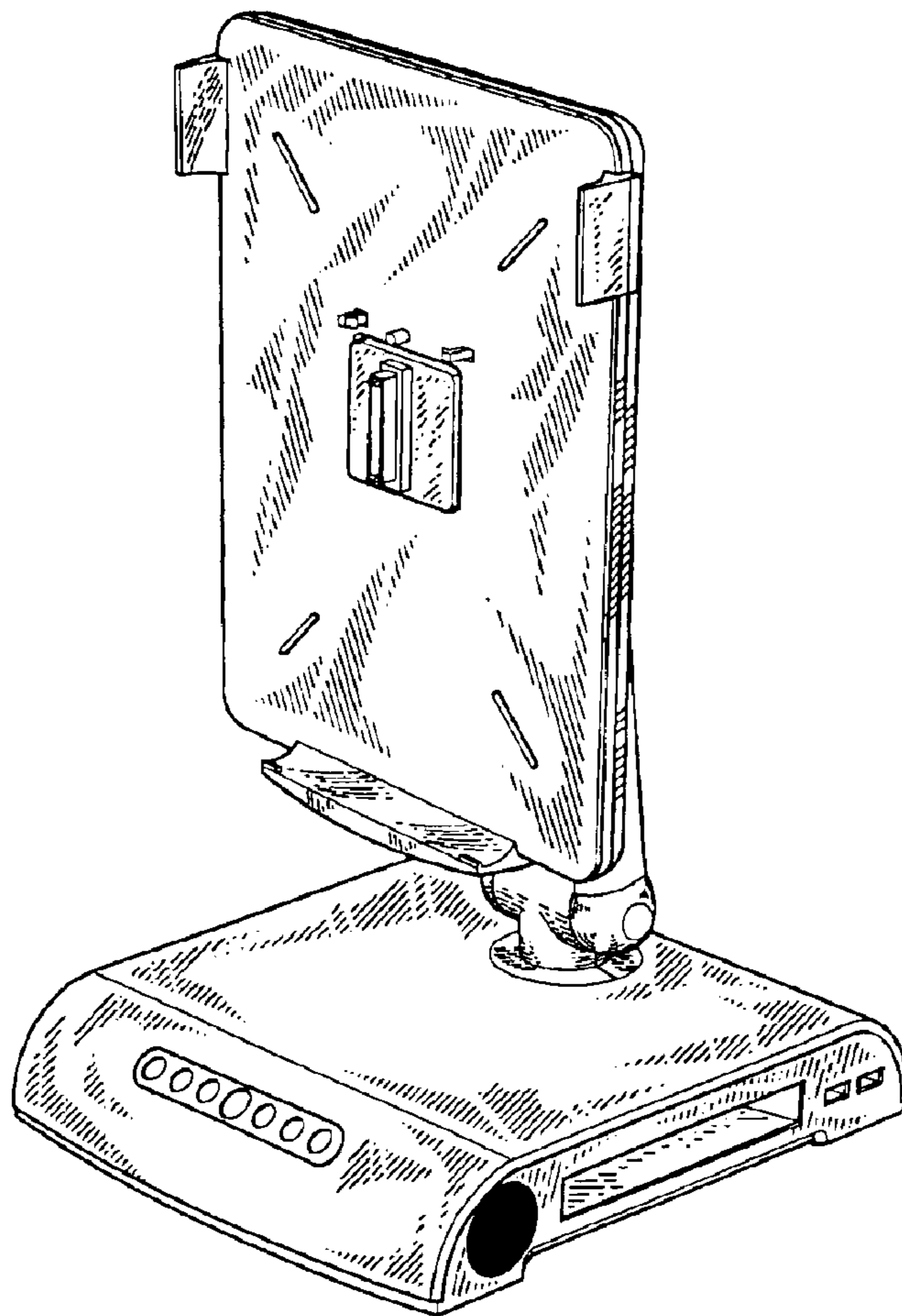
FIG. 1 is a perspective view of a “panel computer holder” showing my new design;  
FIG. 2 is a front view thereof;  
FIG. 3 is a rear view thereof;  
FIG. 4 is a left side view thereof;  
FIG. 5 is a right side view thereof;  
FIG. 6 is a top view thereof; and,  
FIG. 7 is a bottom view thereof.

(56) **References Cited**

**U.S. PATENT DOCUMENTS**

4,923,154 A \* 5/1990 Konkel ..... 248/131  
5,436,792 A \* 7/1995 Leman et al. .... 361/686  
D378,676 S \* 4/1997 Goodman et al. .... D14/447  
5,633,782 A \* 5/1997 Goodman et al. .... 361/683

**1 Claim, 4 Drawing Sheets**



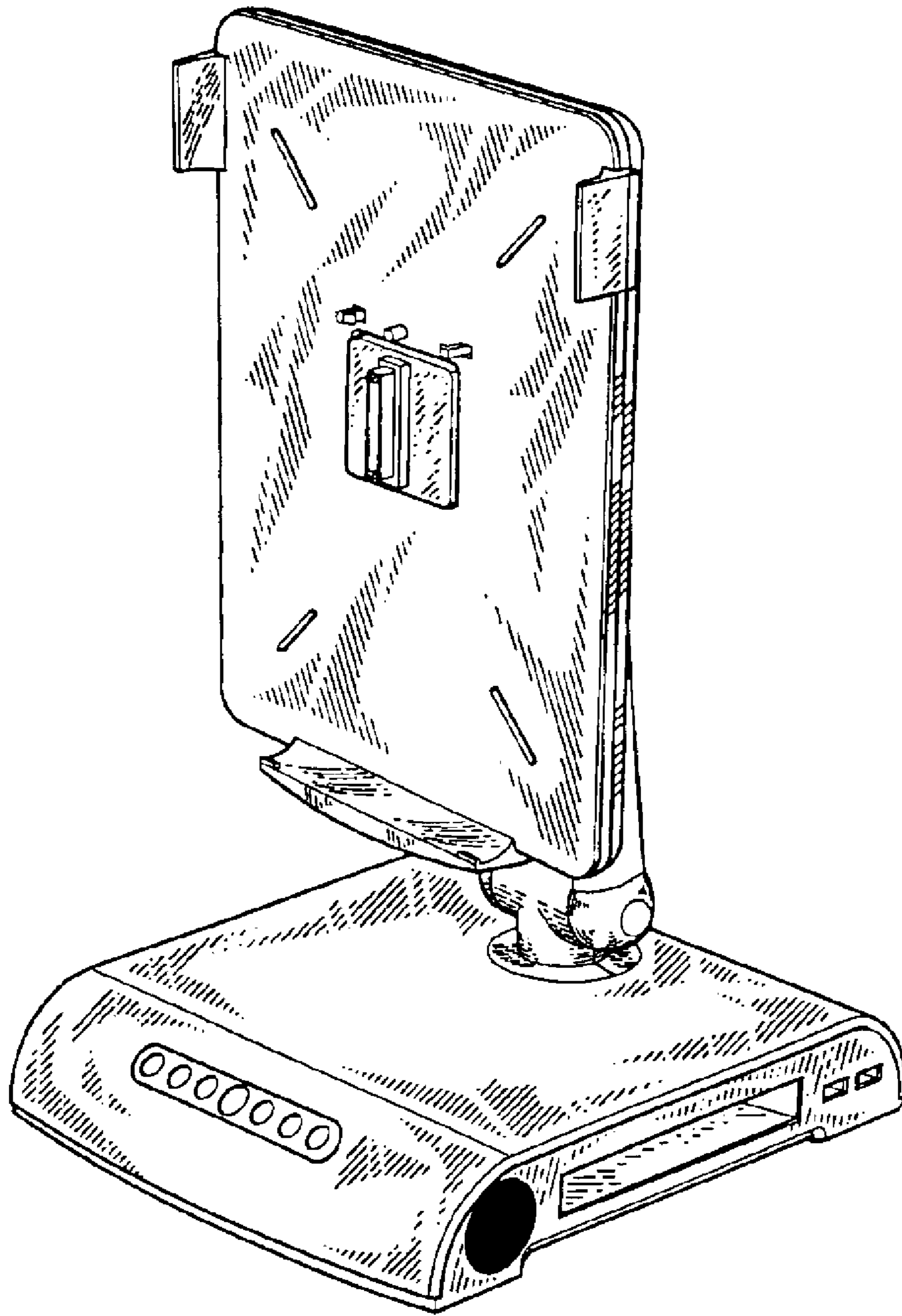


FIG. 1

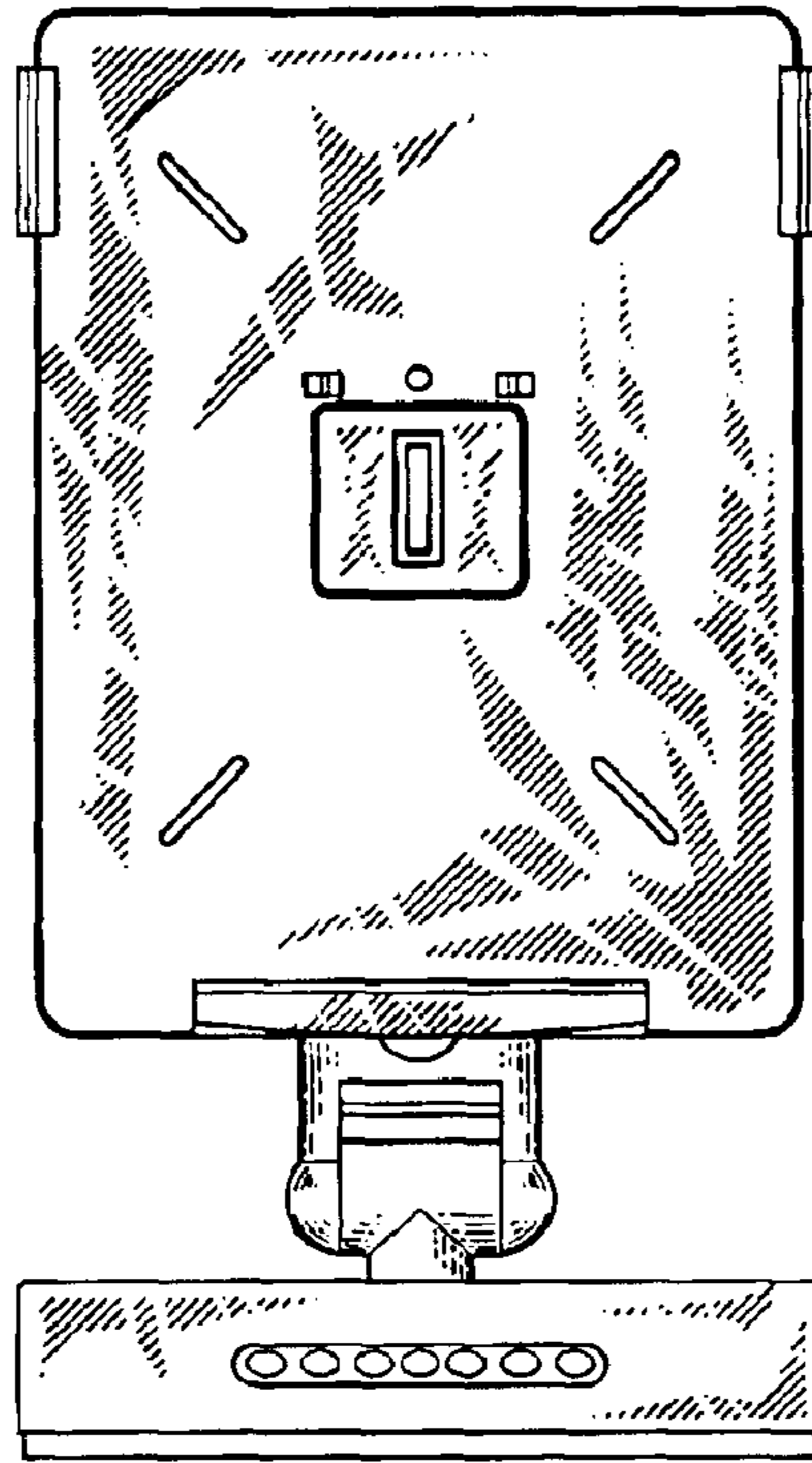


FIG. 2

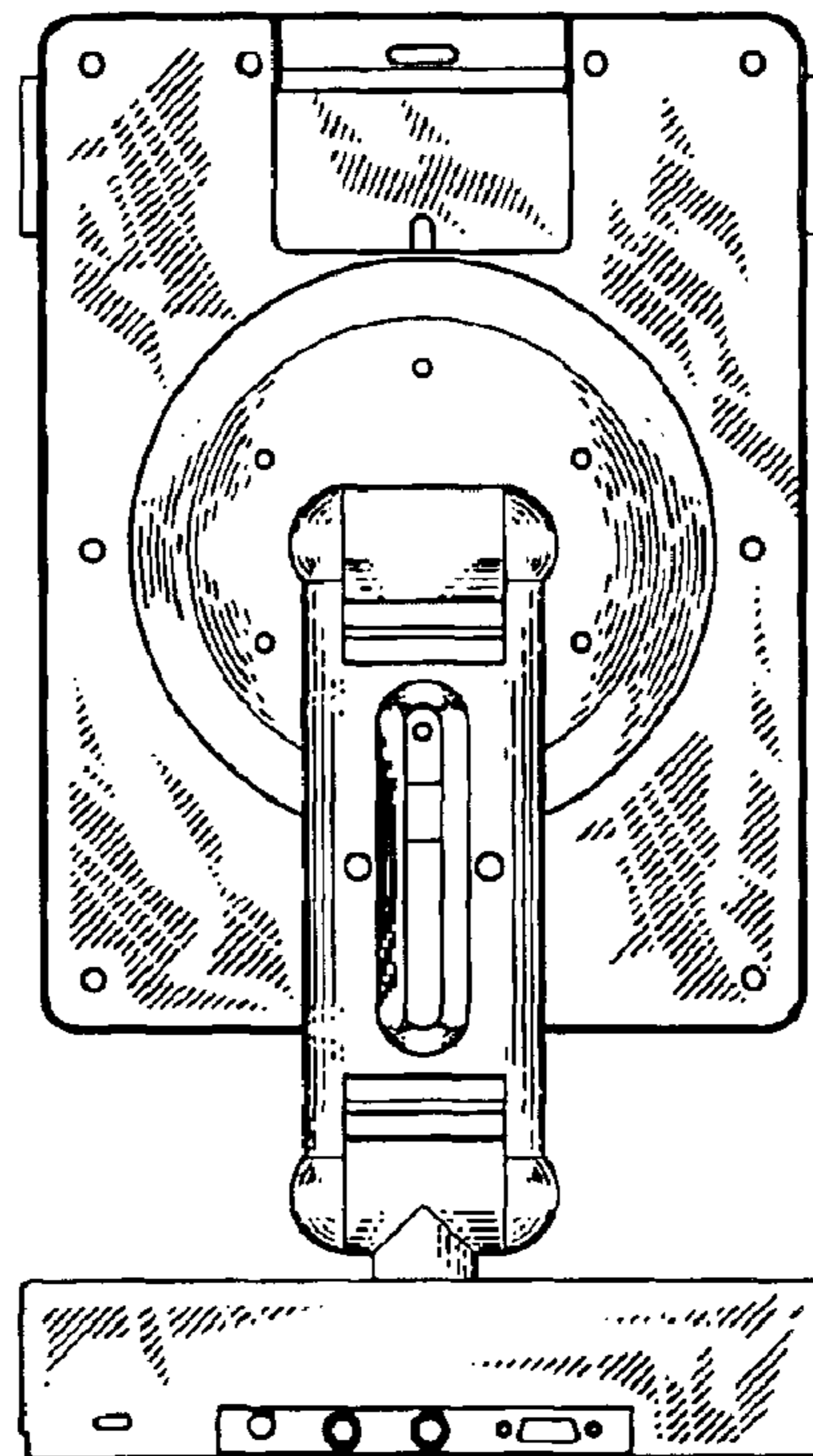


FIG. 3

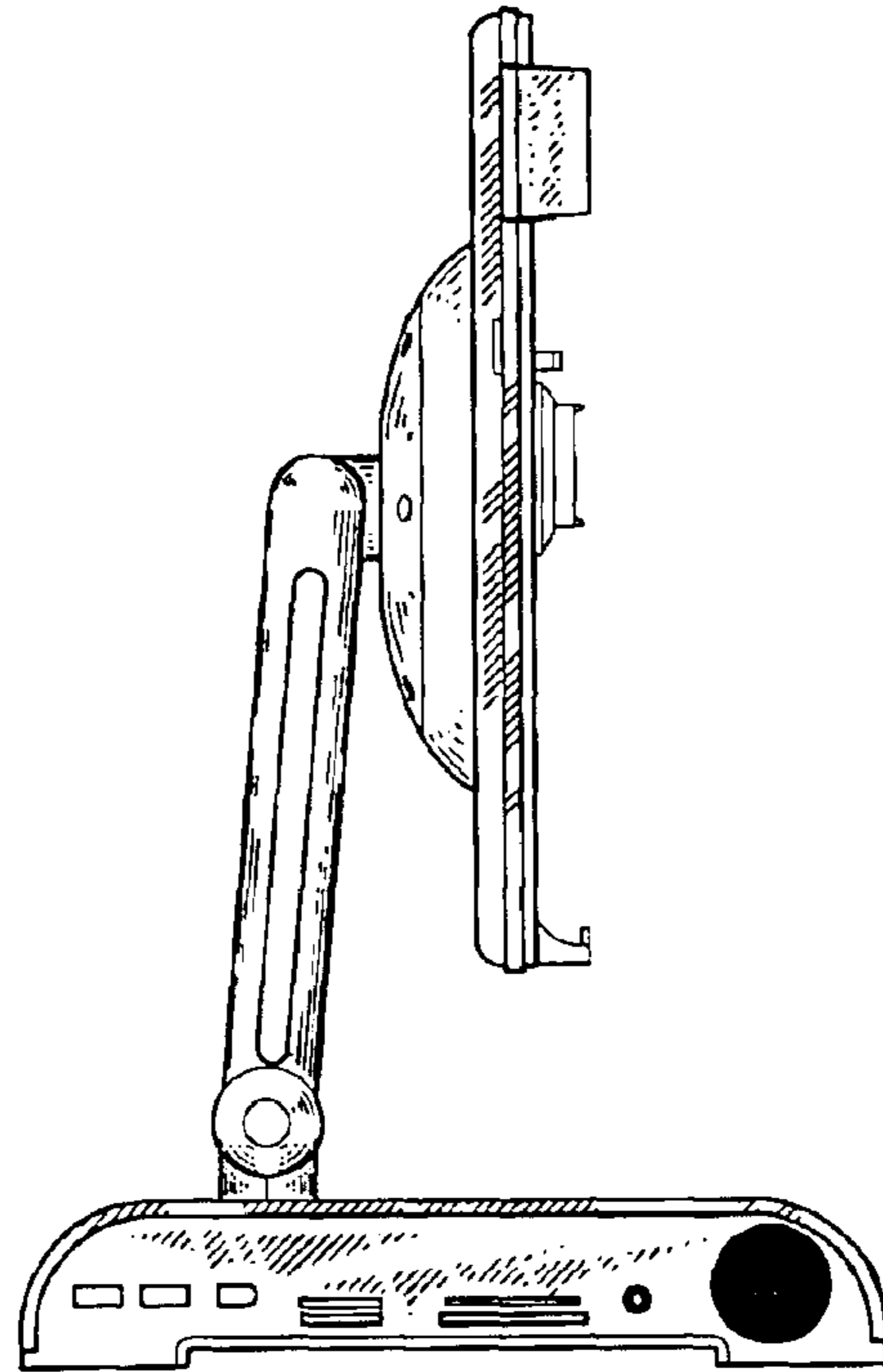


FIG. 4

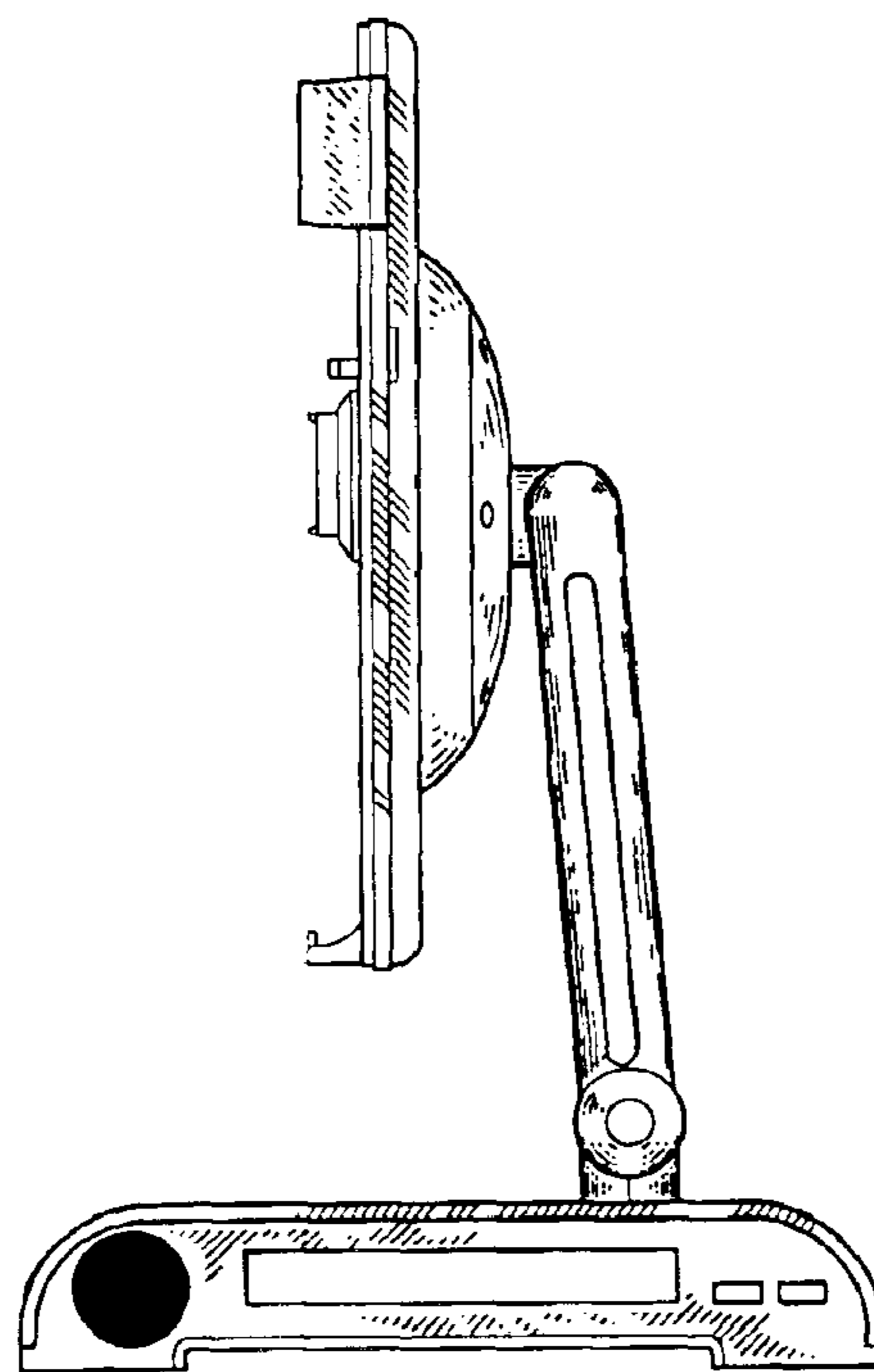


FIG. 5



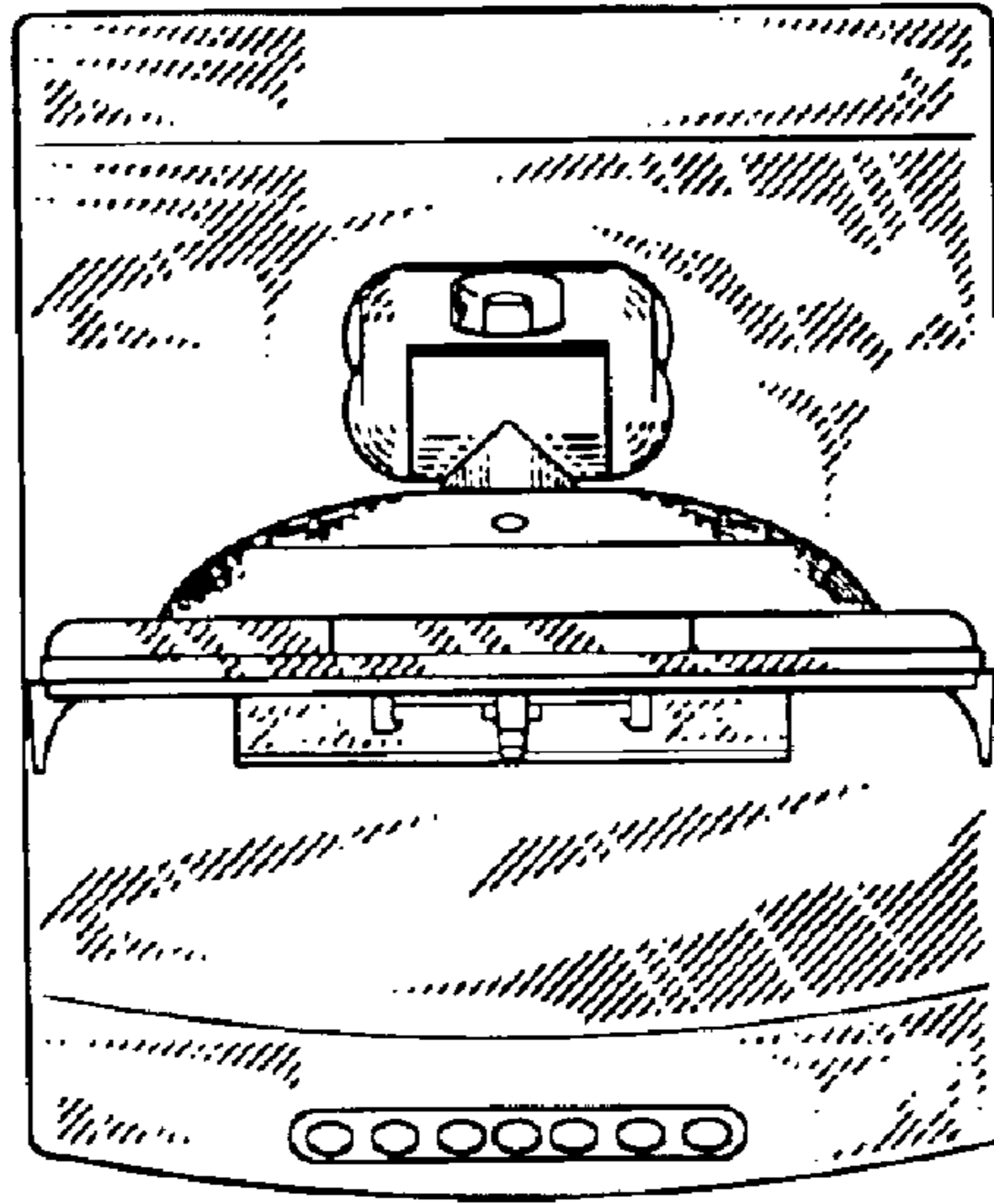


FIG. 6

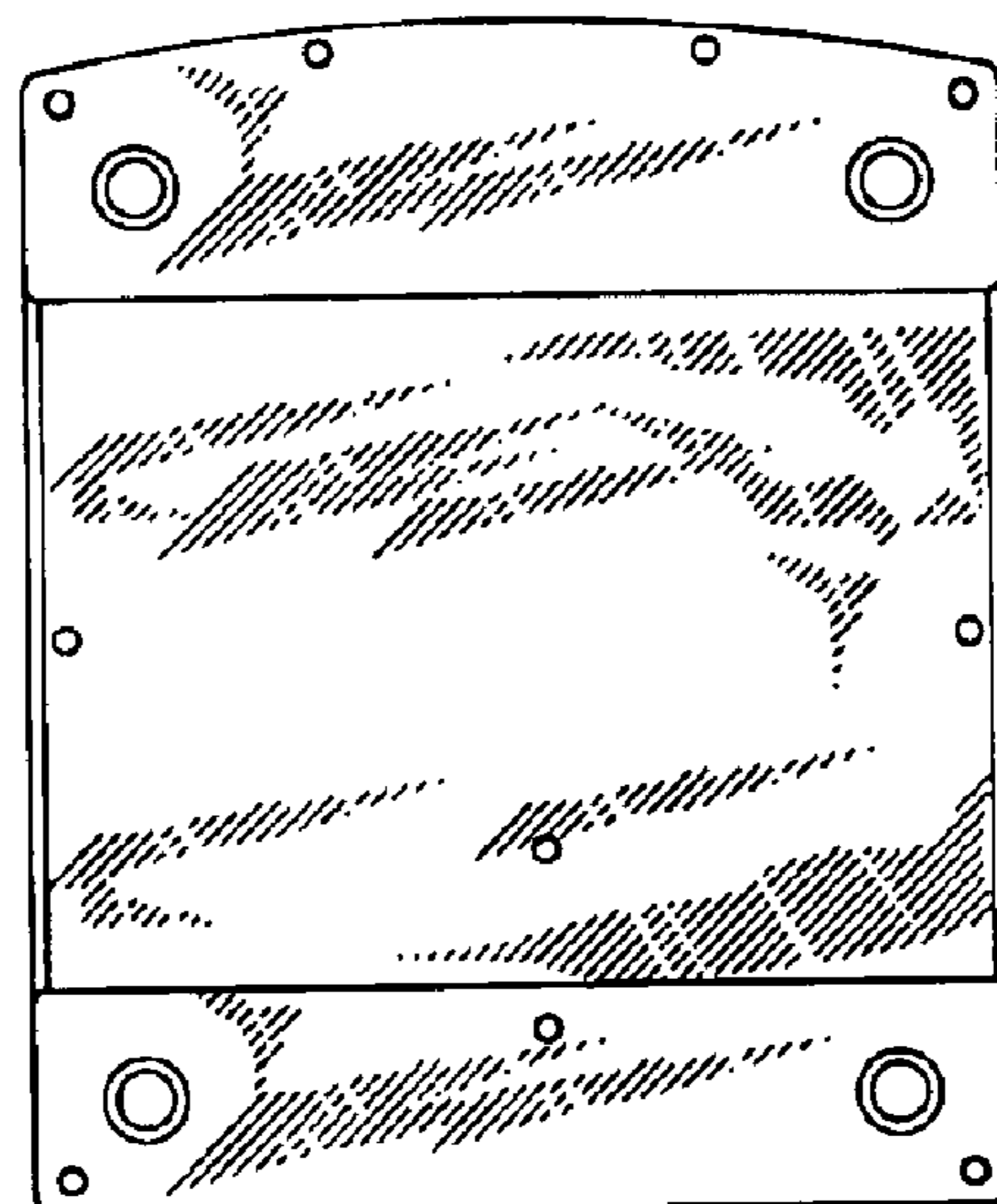


FIG. 7