



US00D508914S

(12) **United States Design Patent**
Ishii

(10) **Patent No.:** **US D508,914 S**

(45) **Date of Patent:** **** Aug. 30, 2005**

(54) **COMPUTER**

(75) **Inventor:** **Daisuke Ishii, Tokyo (JP)**

(73) **Assignee:** **Sony Corporation, Tokyo (JP)**

(**) **Term:** **14 Years**

(21) **Appl. No.:** **29/208,140**

(22) **Filed:** **Jun. 25, 2004**

(51) **LOC (8) Cl.** **14-02**

(52) **U.S. Cl.** **D14/337**

(58) **Field of Search** D14/336, 337,
D14/371-375, 125-129; 248/917-924;
341/12; 345/104, 156, 168, 173, 901-905,
87; 348/180, 184, 325, 739; 349/1, 2, 11,
62

(56) **References Cited**

U.S. PATENT DOCUMENTS

D431,564 S	*	10/2000	Masuda et al.	D14/374
D448,372 S	*	9/2001	Kim	D14/337
D469,091 S	*	1/2003	Hasegawa et al.	D14/375
D471,549 S	*	3/2003	Tsuji	D14/375
D473,558 S	*	4/2003	Chen et al.	D14/375
D487,731 S	*	3/2004	Takami et al.	D14/126
D488,451 S		4/2004	Niitsu		
D491,540 S	*	6/2004	Honda	D14/126

OTHER PUBLICATIONS

Web page "VAIO V PCV-V11B/W" www.yodobashi.com, 1 sheet, Yodobashi Camera (May 2004).

Web page :FMV-DESKPOWER FMVT50G www.yodobashi.com, 1 sheet, Yodobashi Camera (May 2004).

Web page "VALUESTAR FS PC-VS5008D" www.yodobashi.com, 1 sheet, Yodobashi Camera (May 2004).

* cited by examiner

Primary Examiner—Freda S. Nunn

(74) *Attorney, Agent, or Firm*—Rader, Fishman & Grauer PLLC

(57) **CLAIM**

The ornamental design for a computer, as shown.

DESCRIPTION

FIG. 1 is a perspective view of a first embodiment of a computer showing my new design;

FIG. 2 is a front elevational view thereof;

FIG. 3 is a rear elevational view thereof;

FIG. 4 is a left side elevational view thereof;

FIG. 5 is a right side elevational view thereof;

FIG. 6 is a top plan view thereof;

FIG. 7 is a bottom plan view thereof;

FIG. 8 is a perspective view of a second embodiment of a computer showing my new design;

FIG. 9 is a front elevational view thereof;

FIG. 10 is a rear elevational view thereof;

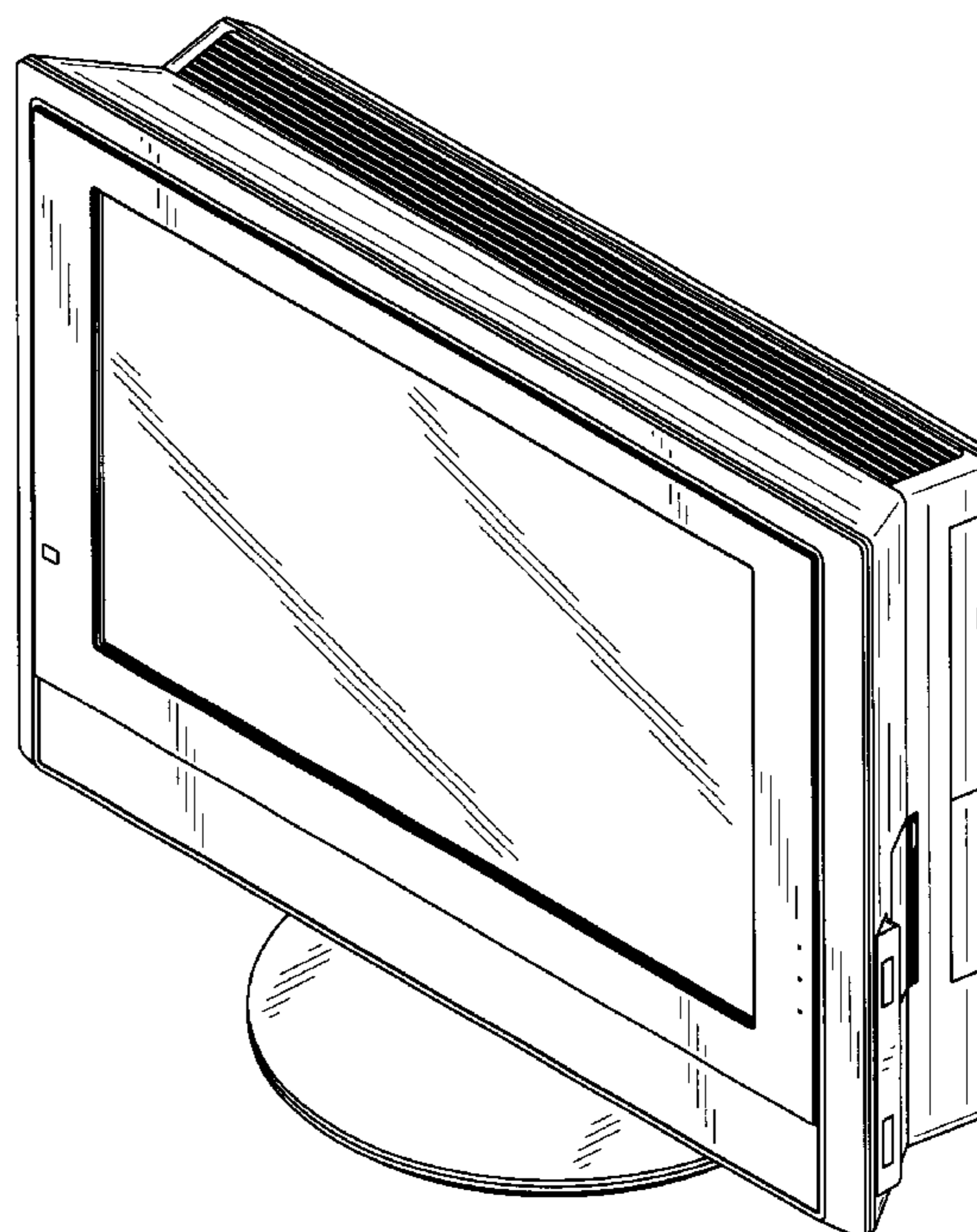
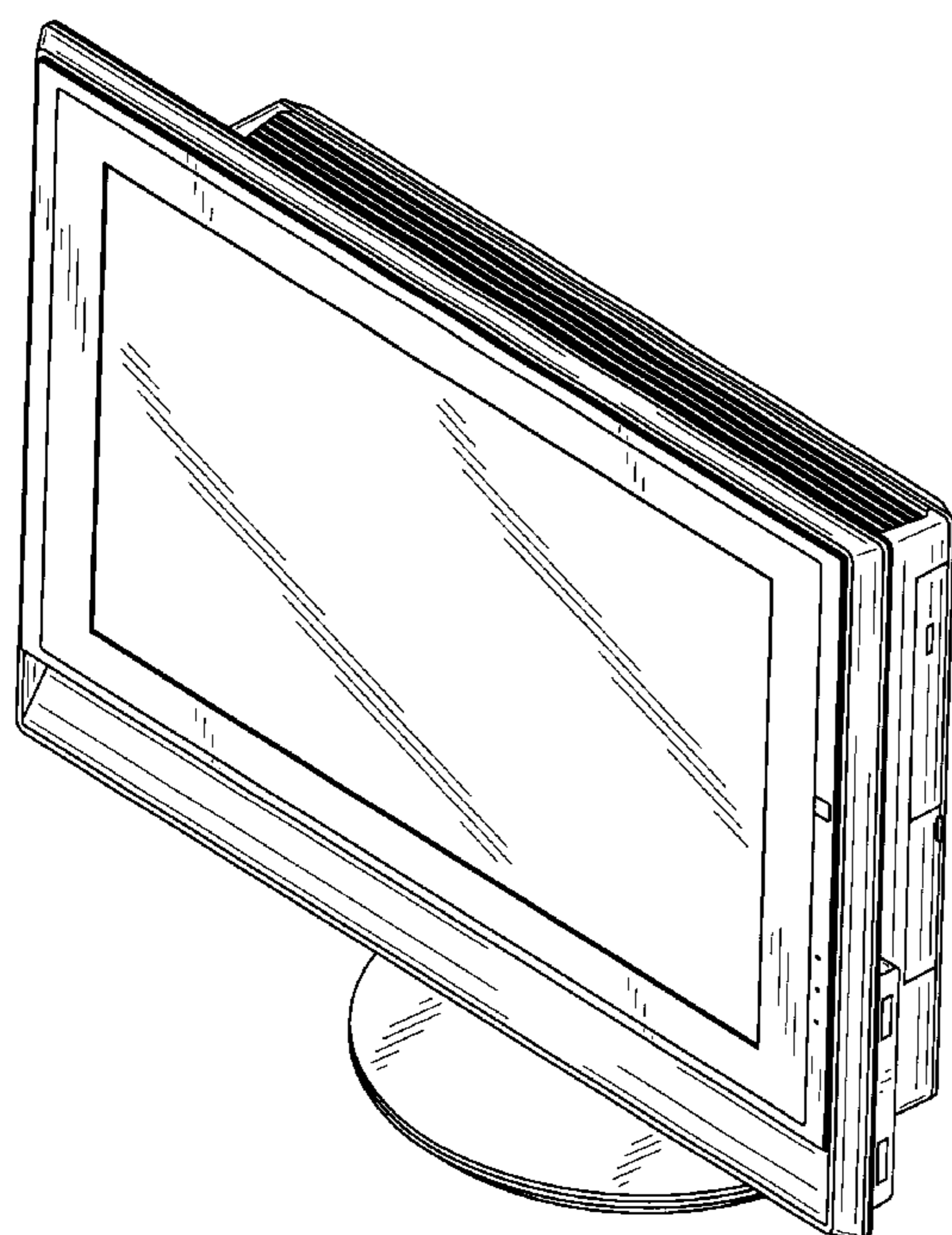
FIG. 11 is a left side elevational view thereof;

FIG. 12 is a right side elevational view thereof;

FIG. 13 is a top plan view thereof; and,

FIG. 14 is a bottom plan view thereof.

1 Claim, 8 Drawing Sheets



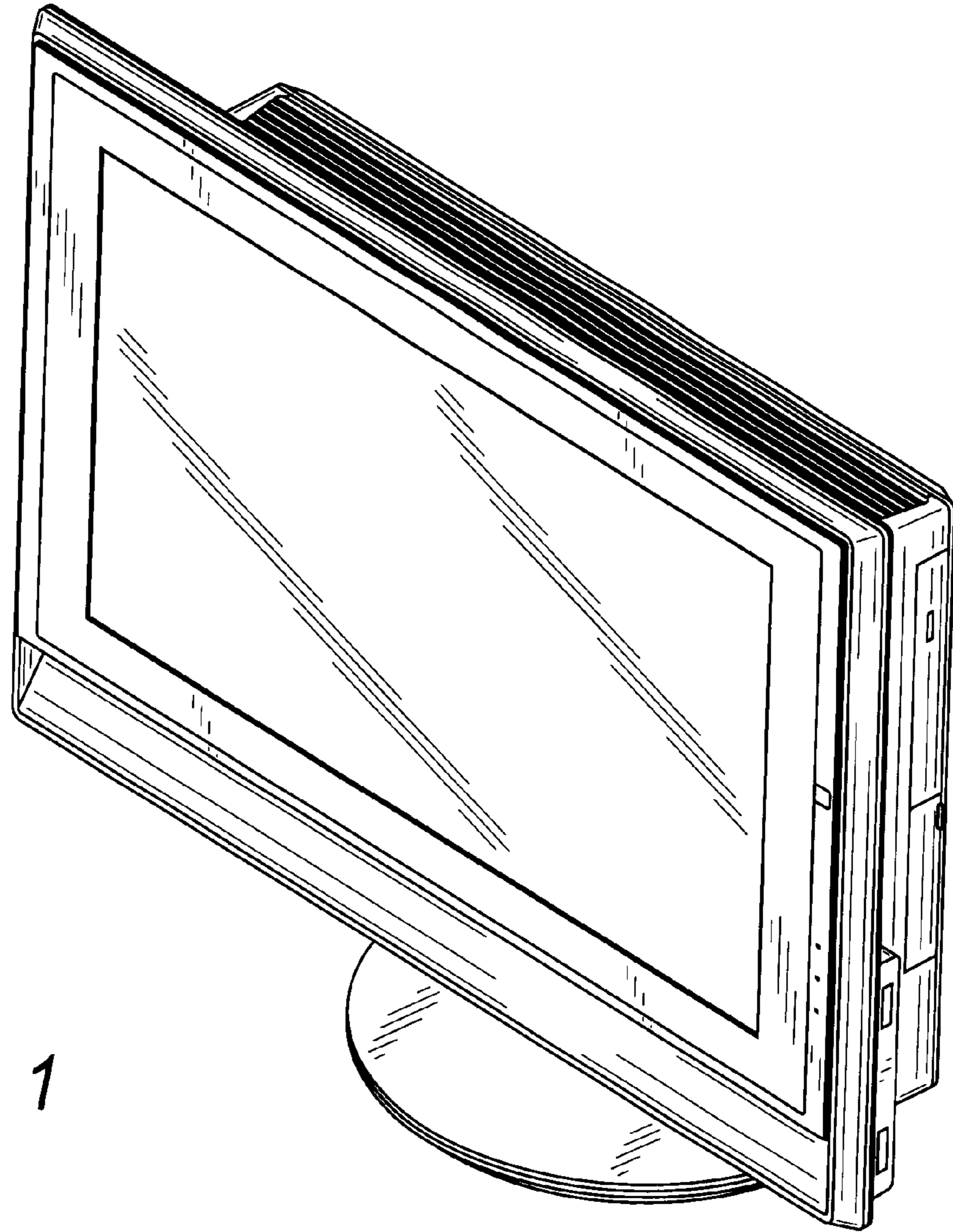


FIG. 1

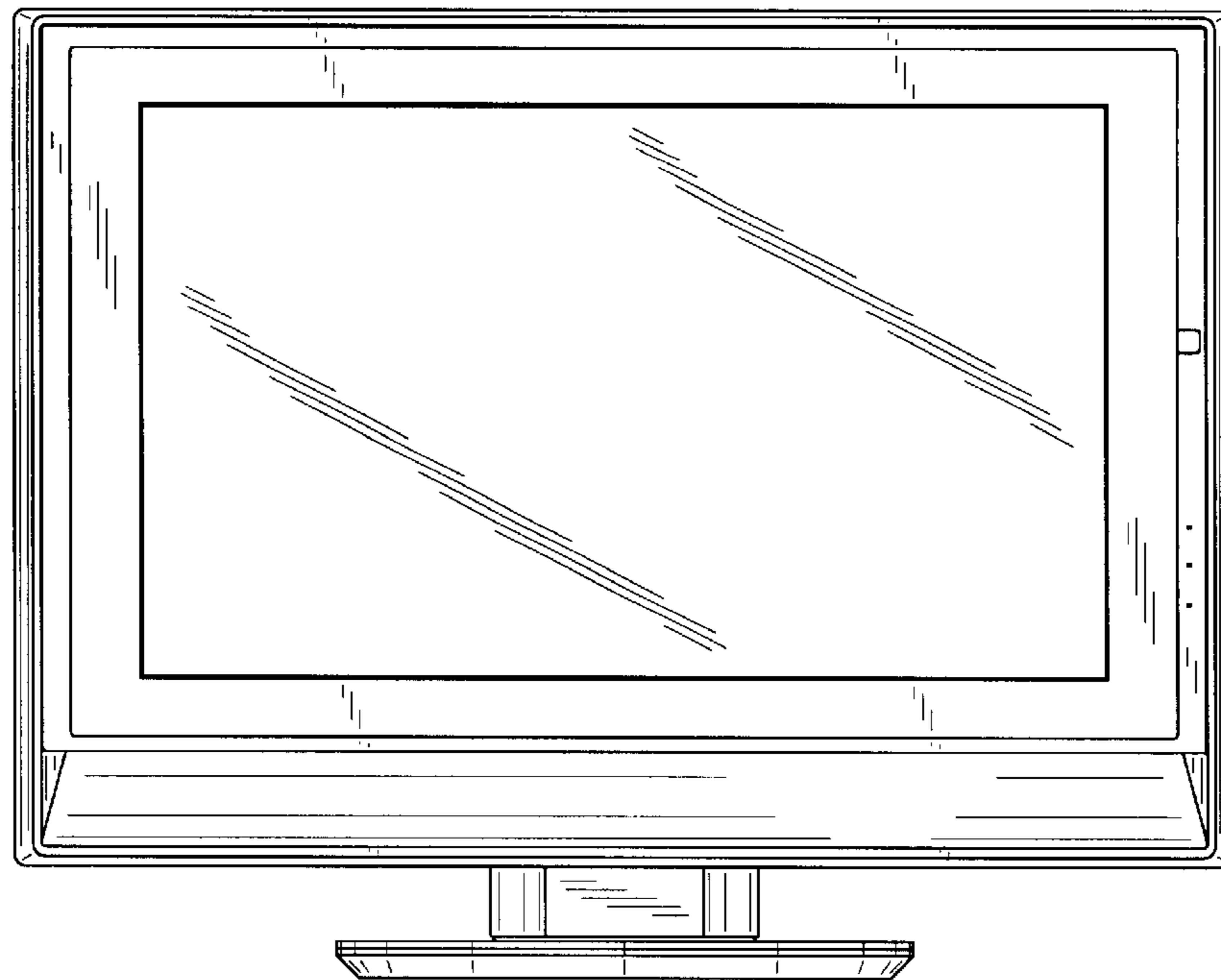


FIG. 2

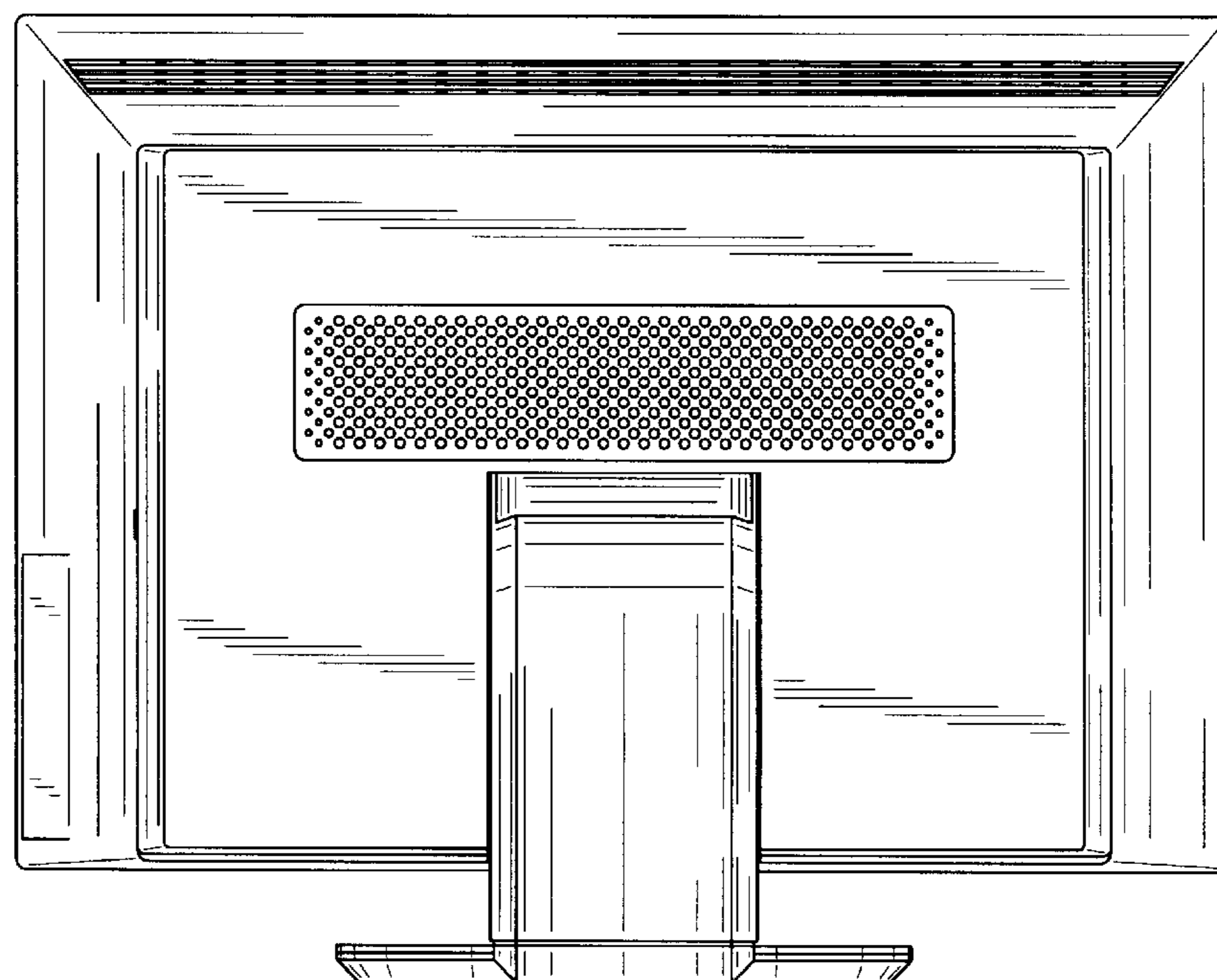


FIG. 3

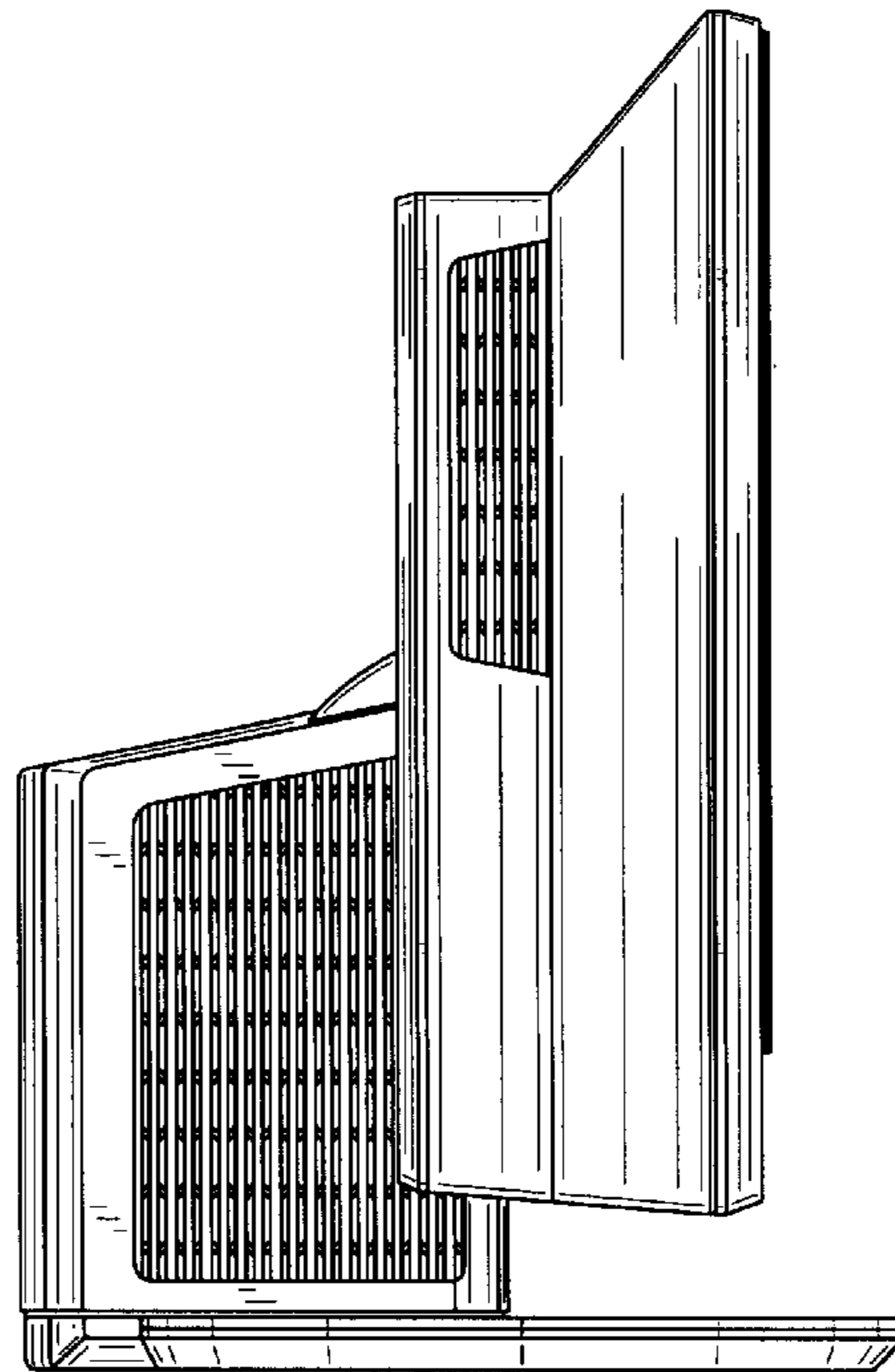


FIG. 4

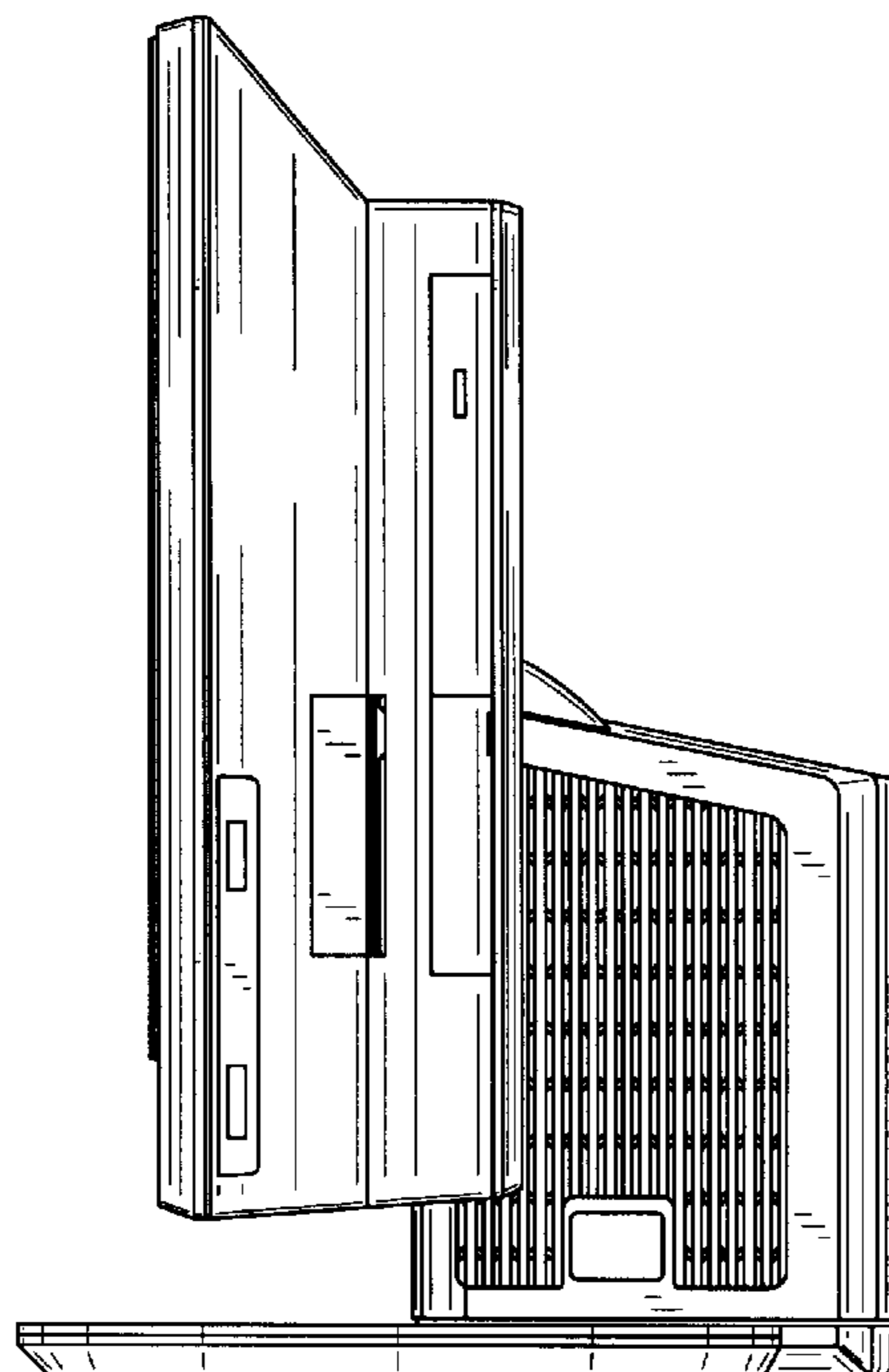


FIG. 5

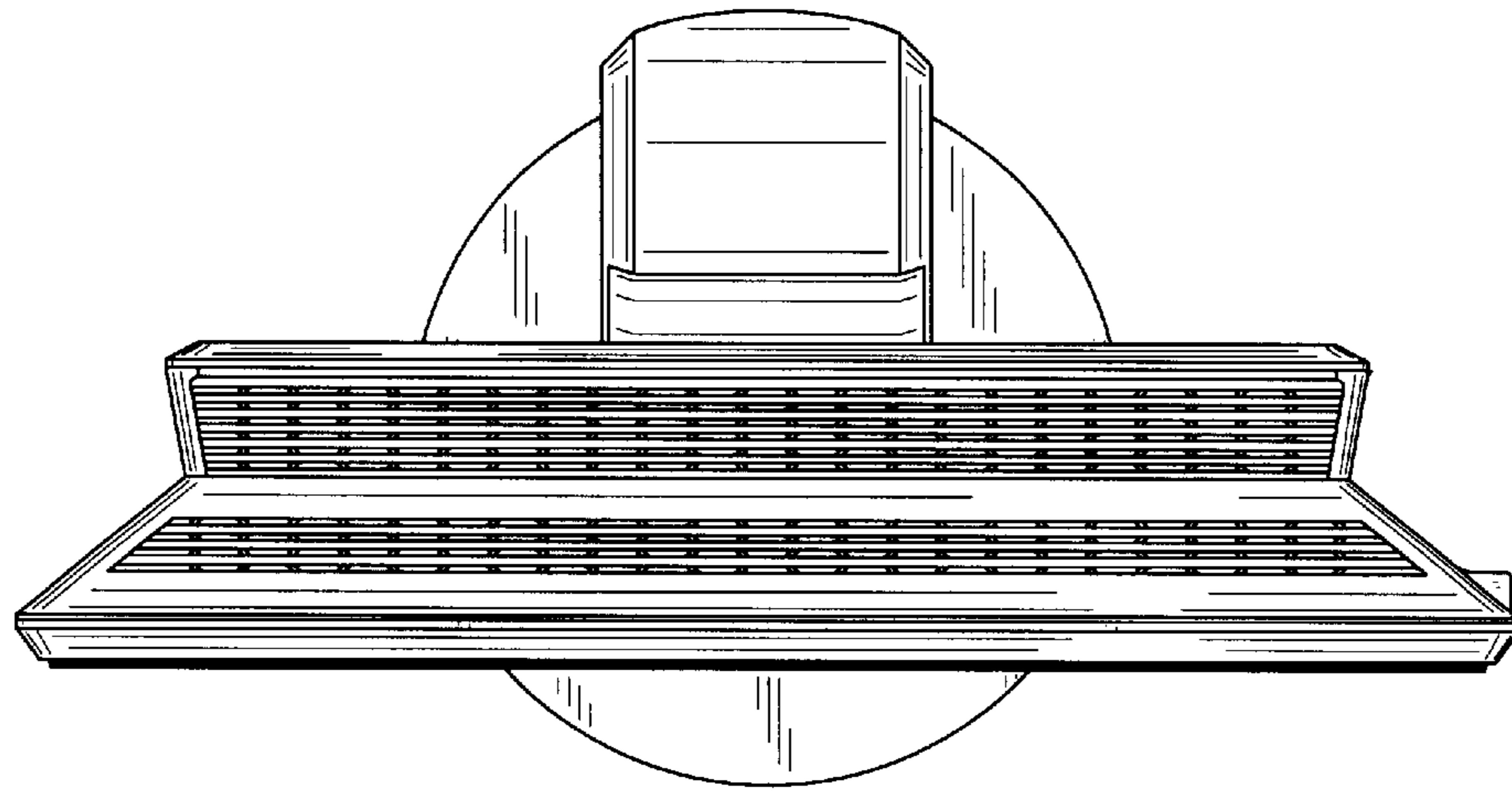


FIG. 6

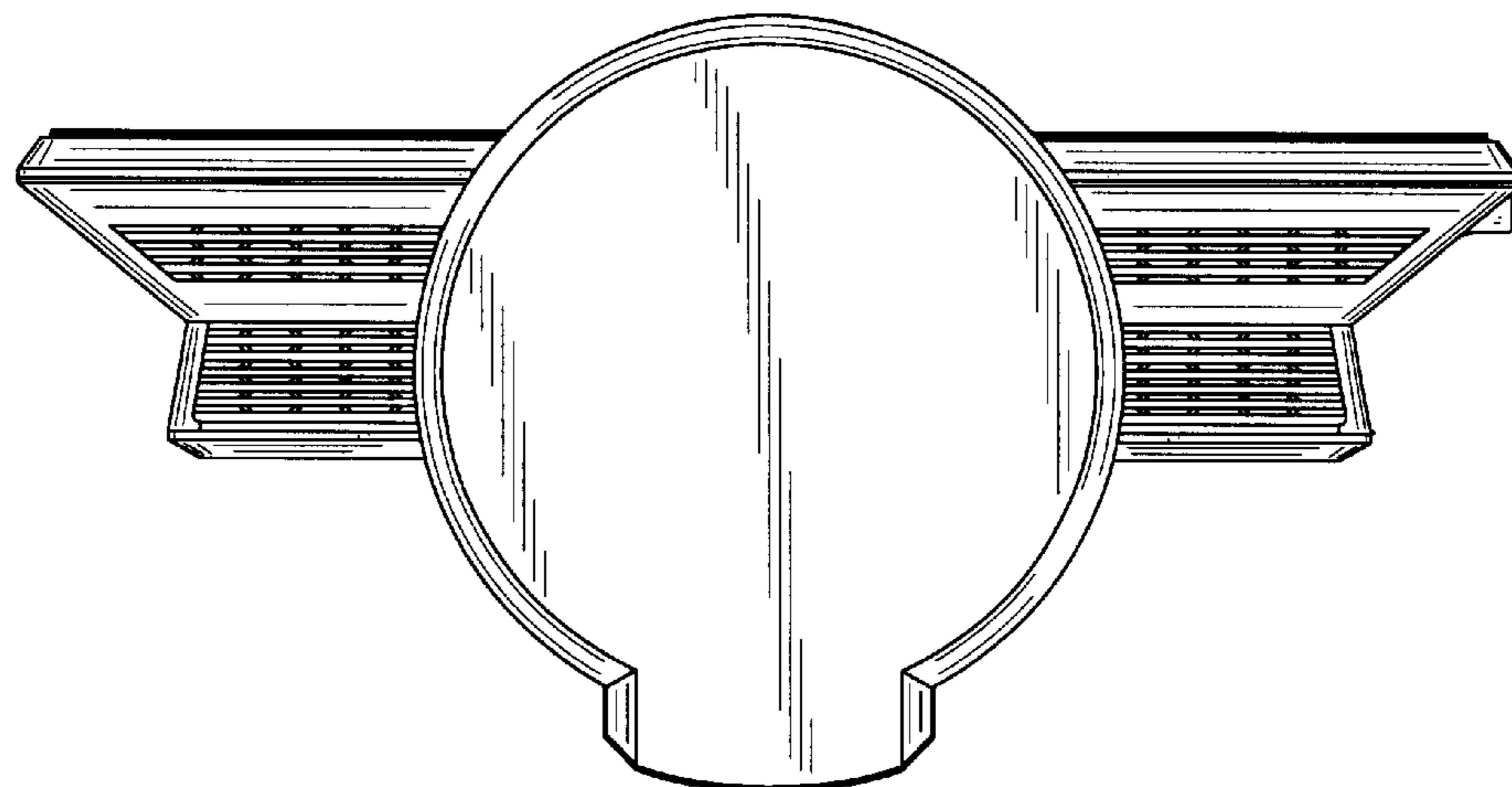


FIG. 7

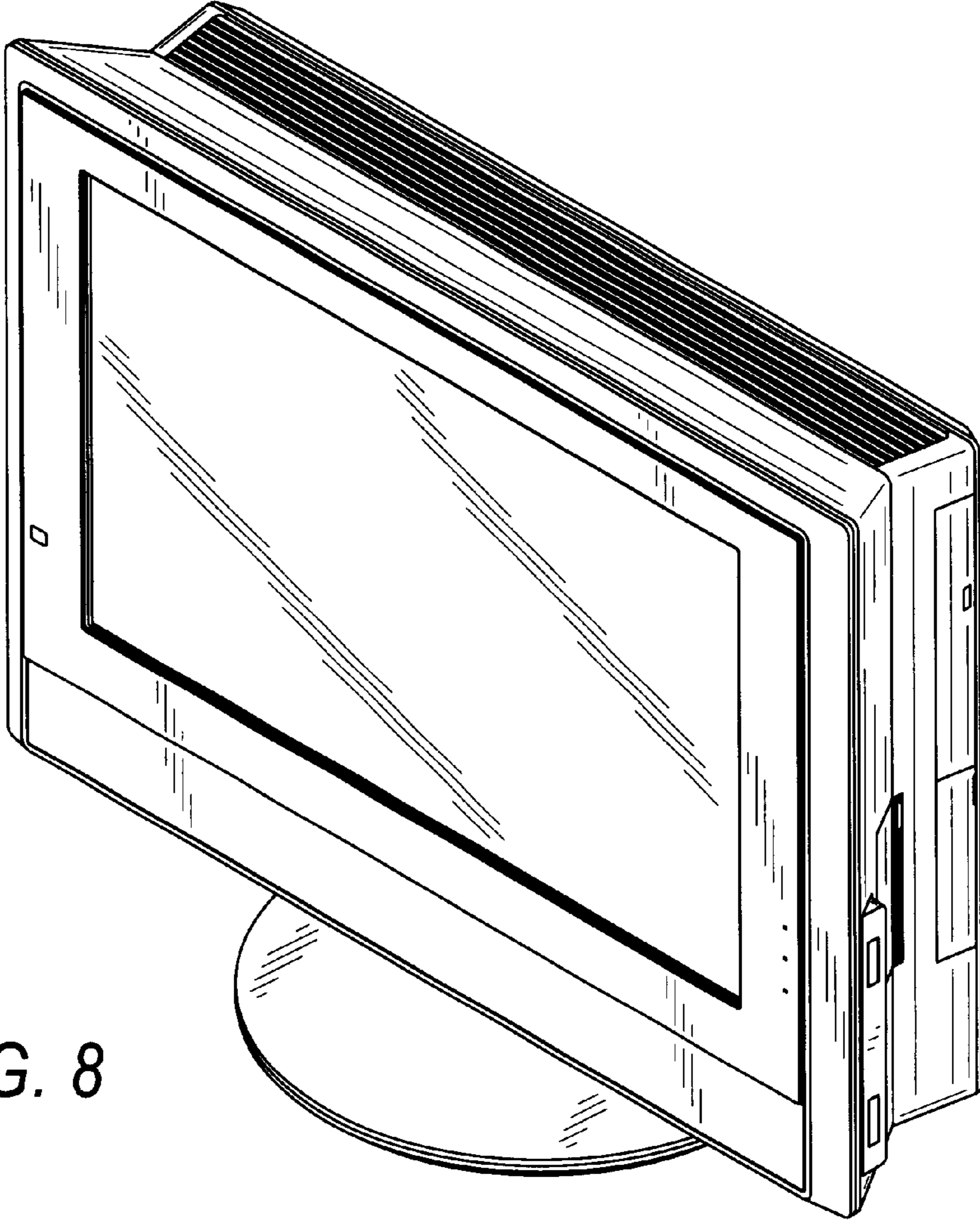


FIG. 8

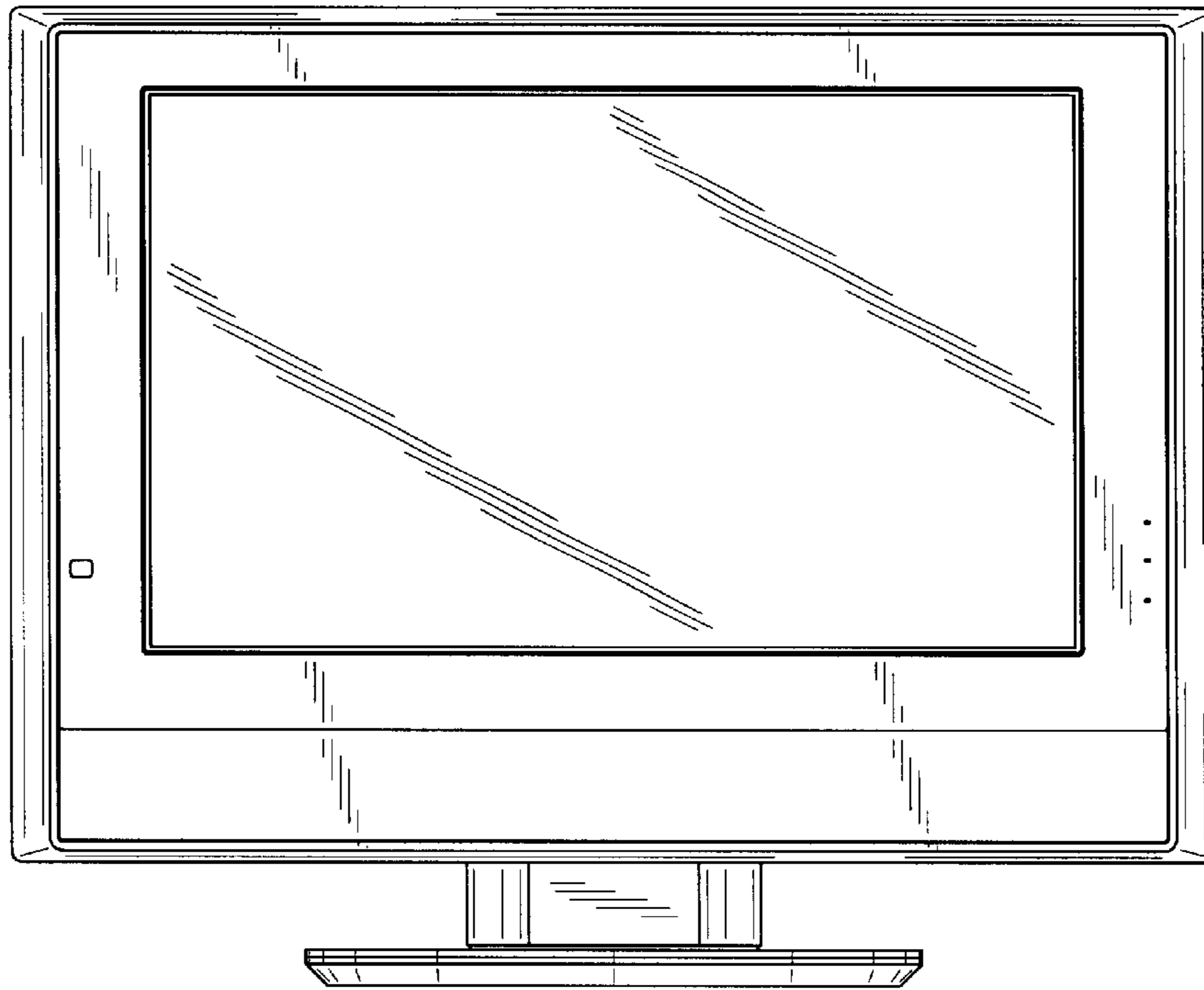


FIG. 9

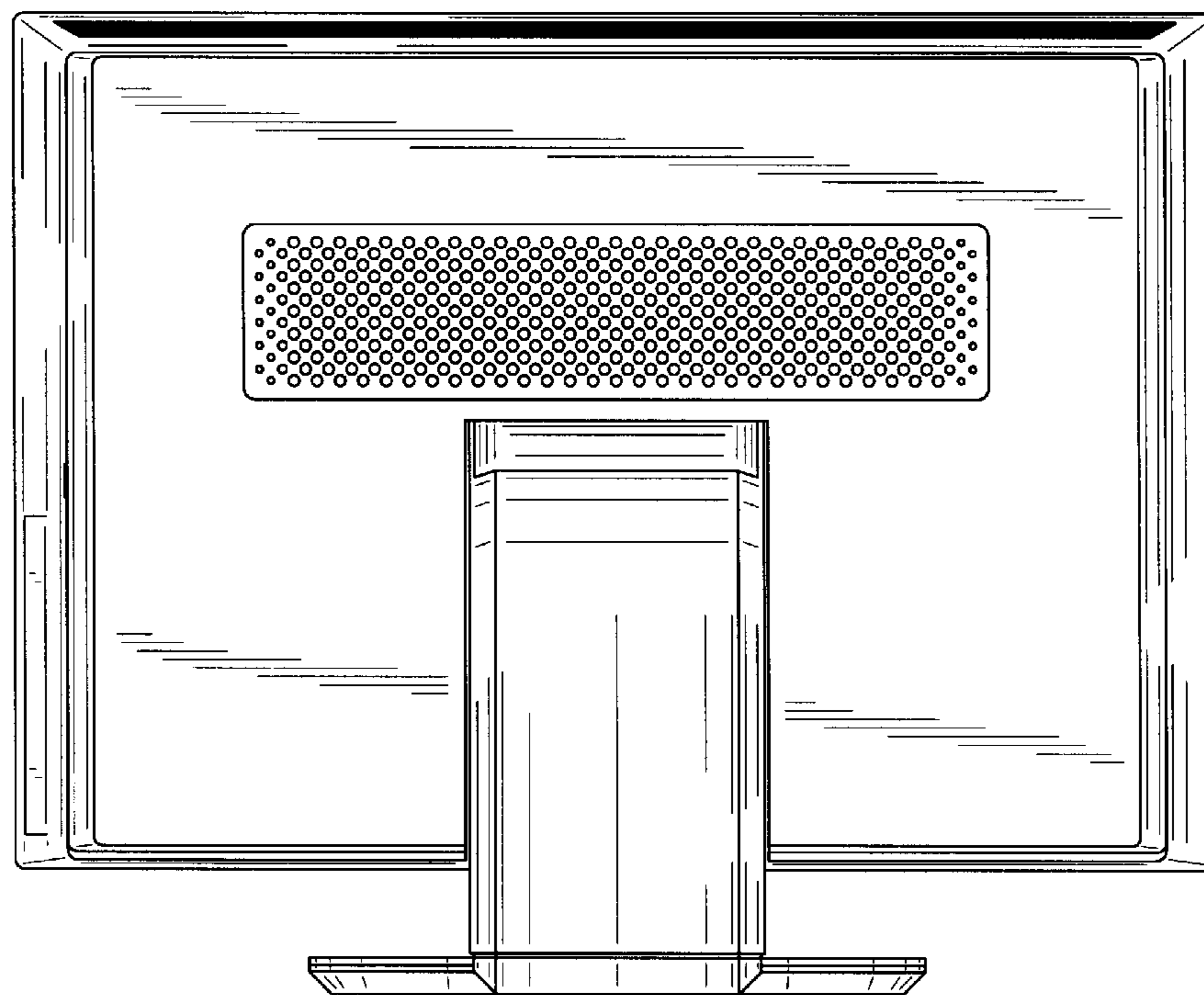


FIG. 10

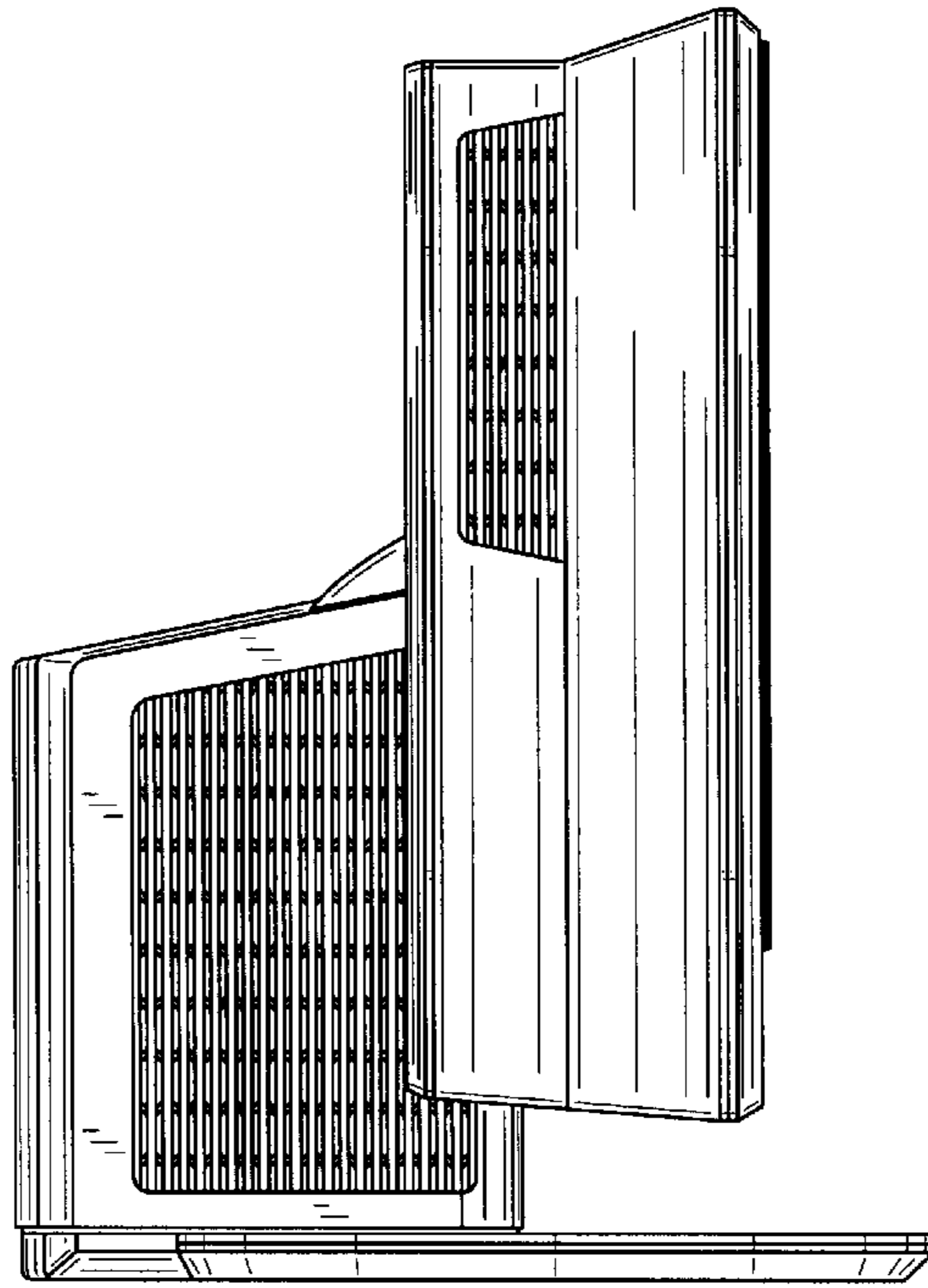


FIG. 11

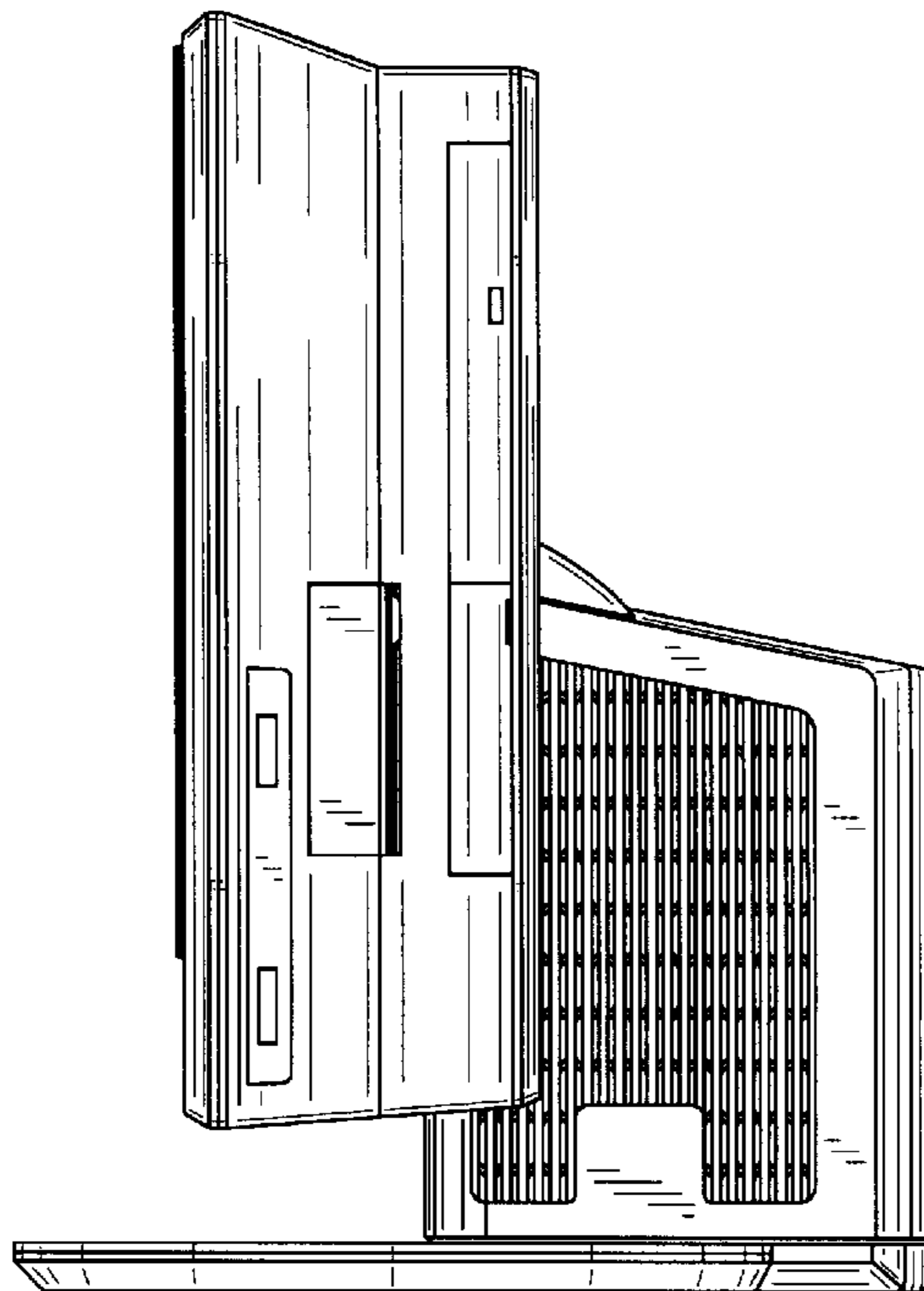


FIG. 12

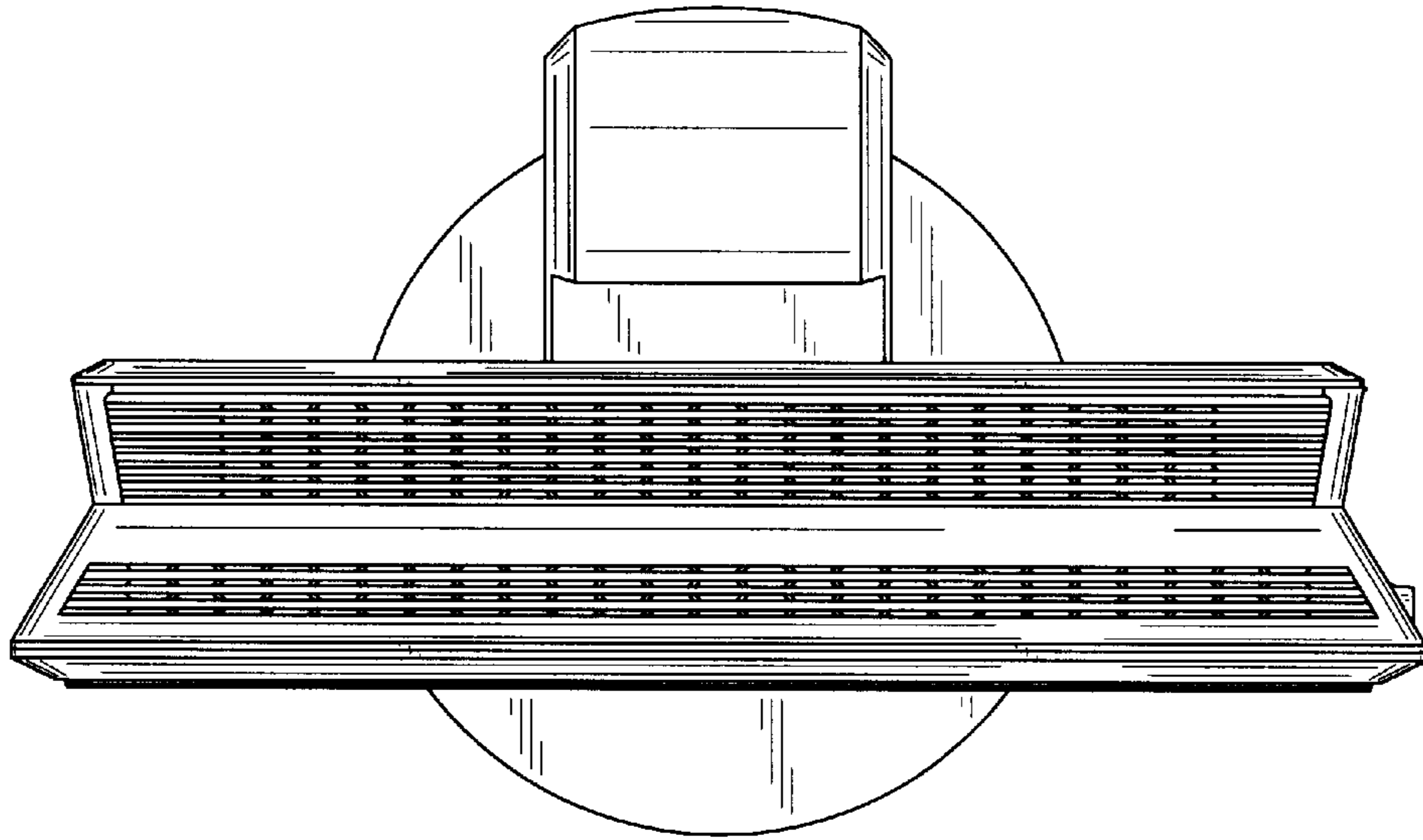


FIG. 13

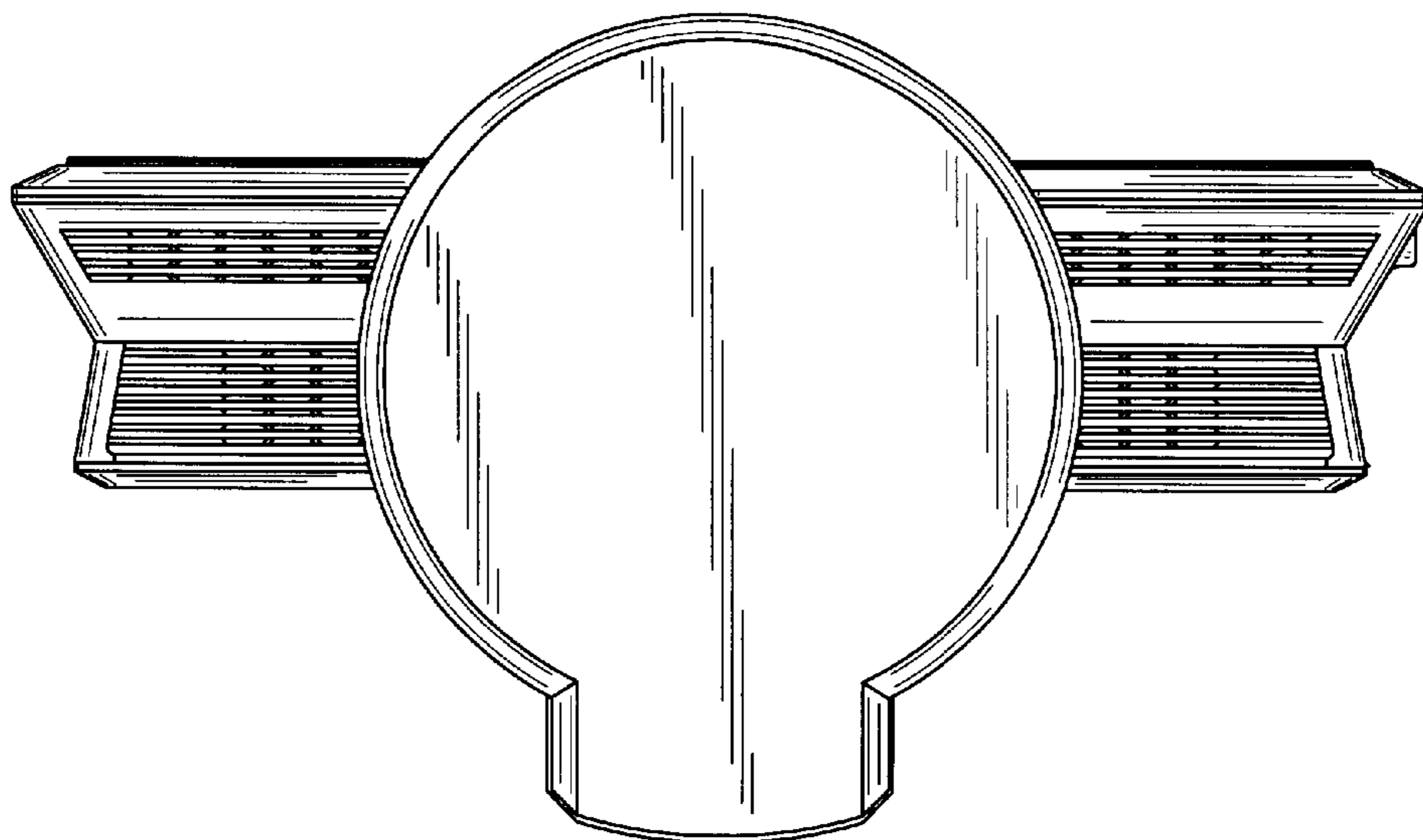


FIG. 14