

US00D508910S

(12) **United States Design Patent** (10) **Patent No.:** **US D508,910 S**
Oikawa (45) **Date of Patent:** **** Aug. 30, 2005**

(54) **SPEAKER BOX**

(75) Inventor: **Yuji Oikawa**, Tokyo (JP)

(73) Assignee: **Sony Corporation**, Tokyo (JP)

(**) Term: **14 Years**

(21) Appl. No.: **29/205,727**

(22) Filed: **May 20, 2004**

(51) **LOC (8) Cl.** **14-01**

(52) **U.S. Cl.** **D14/214**

(58) **Field of Search** D14/204, 207,
D14/209-216, 356; 181/143-144, 147-148,
150, 157, 198-199, 151, 153; 381/300-302,
306, 333, 345, 361-364, 386-388, 332,
336

(56) **References Cited**

U.S. PATENT DOCUMENTS

4,756,382 A	*	7/1988	Hudson, III	181/156
D440,220 S	*	4/2001	Dunk et al.	D14/211
D472,542 S		4/2003	Oikawa		
D475,695 S	*	6/2003	Petronio	D14/216
D478,891 S		8/2003	Hisatsune		

OTHER PUBLICATIONS

Web page "S-VSL6C" <http://www.yodobashi.com/enjoy/more/i/5062765.html> 2 sheets, Yodobashi Camera (Mar. 2004).

Web page "SC-C7L-S" <http://www.yodobashi.com/enjoy/more/i/7224568.html> 2 sheets, Yodobashi Camera (Mar. 2004).

Web page "SYS-C3L-M 5.1 ch" <http://www.yodobashi.com/enjoy/more/i/14094630.html> 2 sheets, Yodobashi Camera (Mar. 2004).

* cited by examiner

Primary Examiner—Nanda Bondade
(74) *Attorney, Agent, or Firm*—Rader, Fishman & Grauer PLLC

(57) **CLAIM**

The ornamental design for a speaker box, as shown.

DESCRIPTION

FIG. 1 is a perspective view of a speaker box showing my new design;

FIG. 2 is a front elevational view thereof;

FIG. 3 is a rear elevational view thereof;

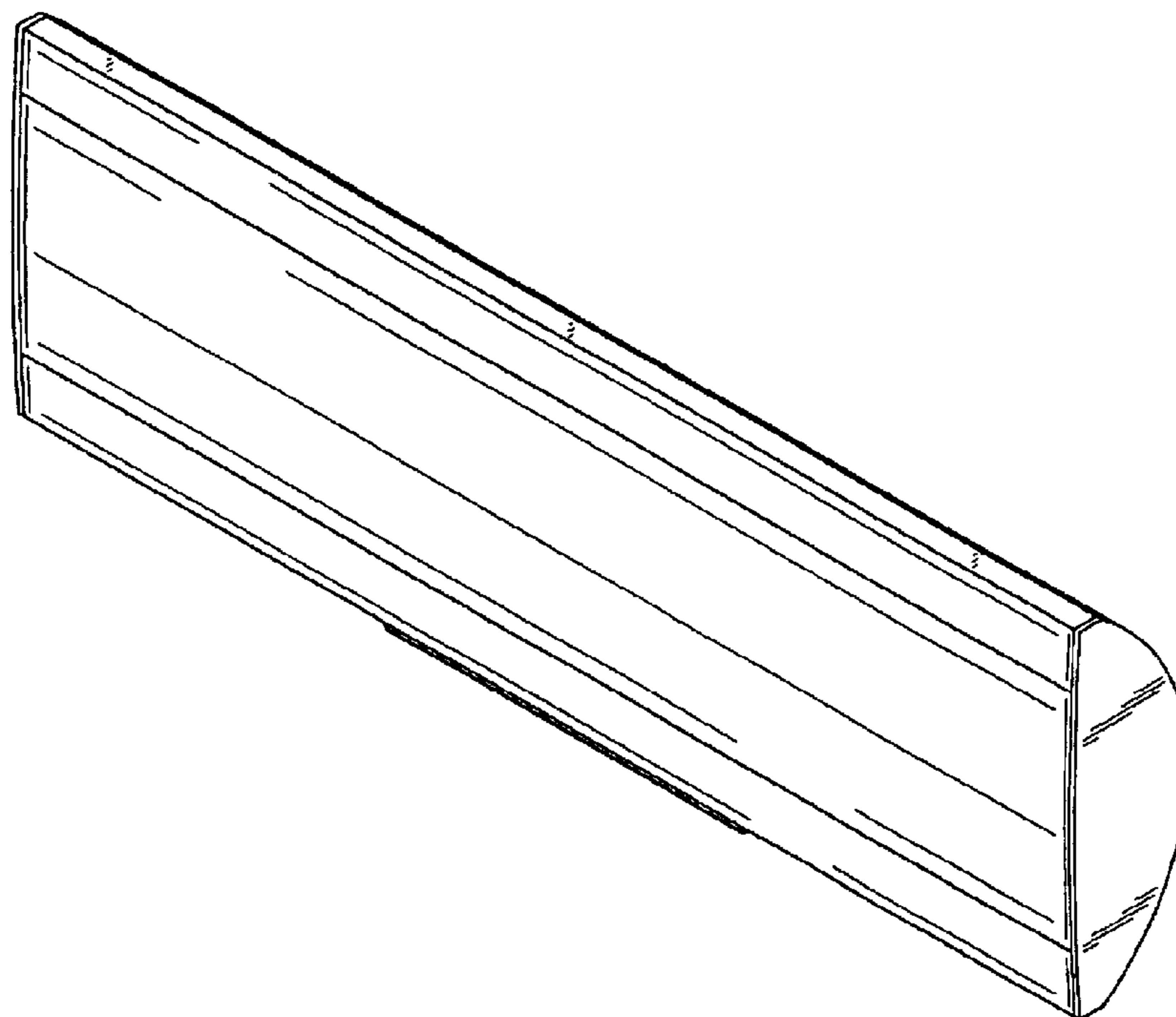
FIG. 4 is a left side elevational view thereof;

FIG. 5 is a right side elevational view thereof;

FIG. 6 is a top plan view thereof; and,

FIG. 7 is a bottom plan view thereof.

1 Claim, 4 Drawing Sheets



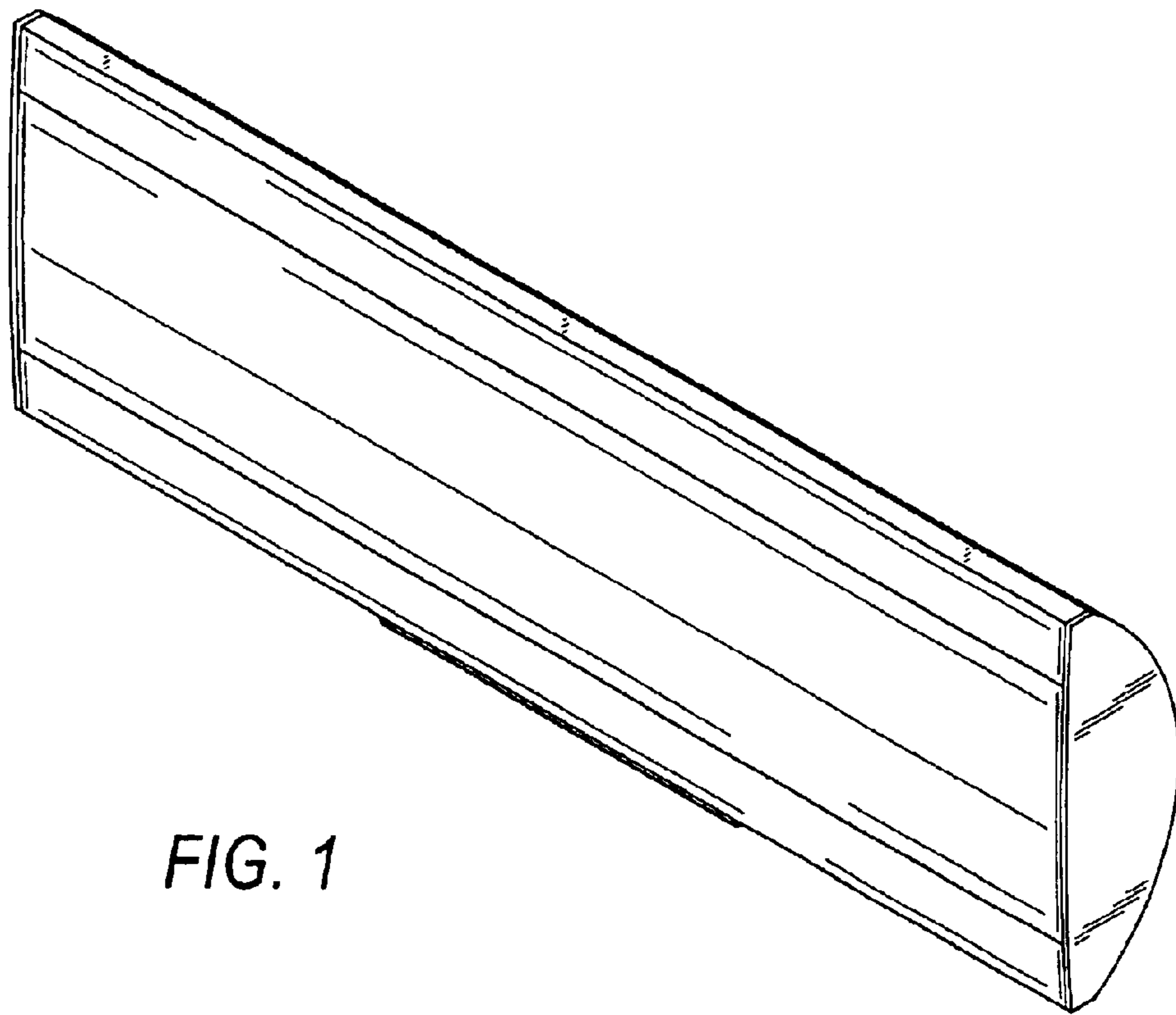


FIG. 1

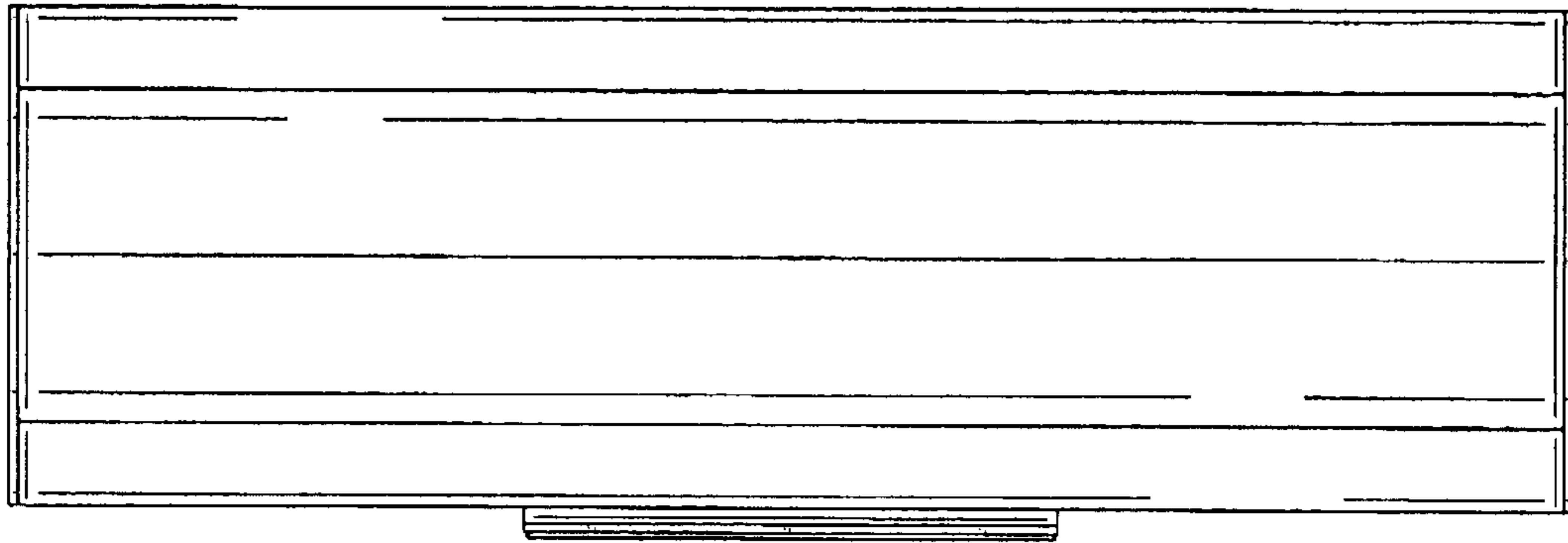


FIG. 2

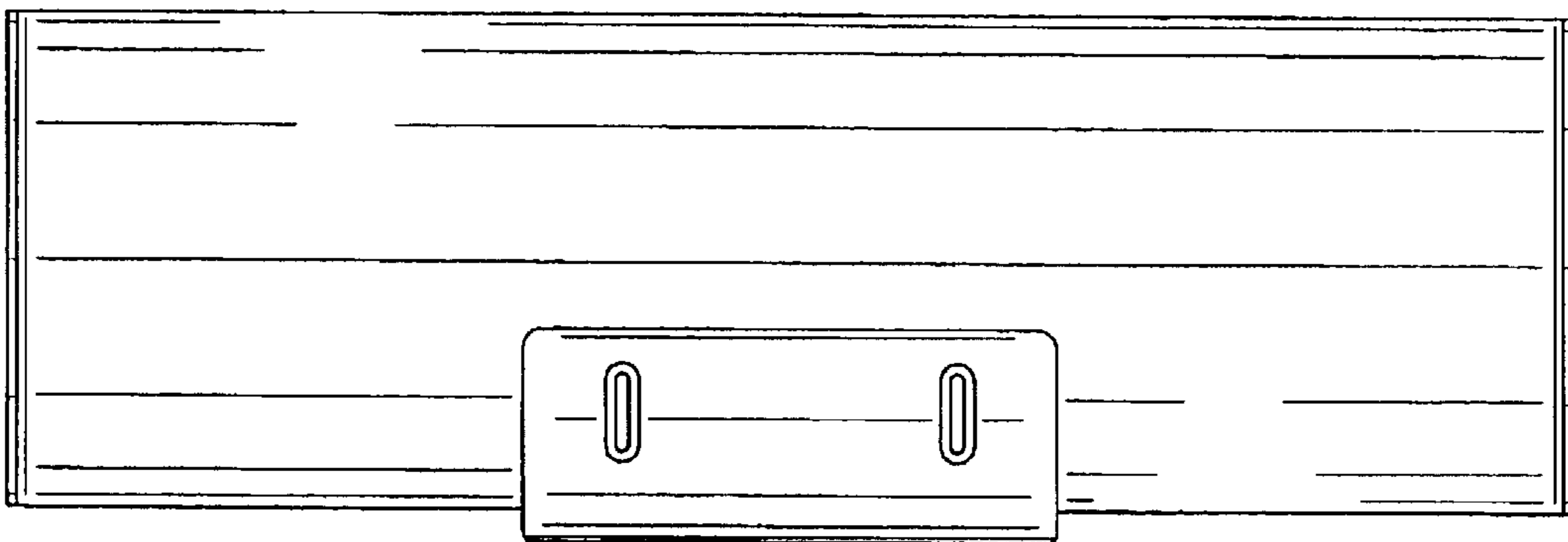


FIG. 3

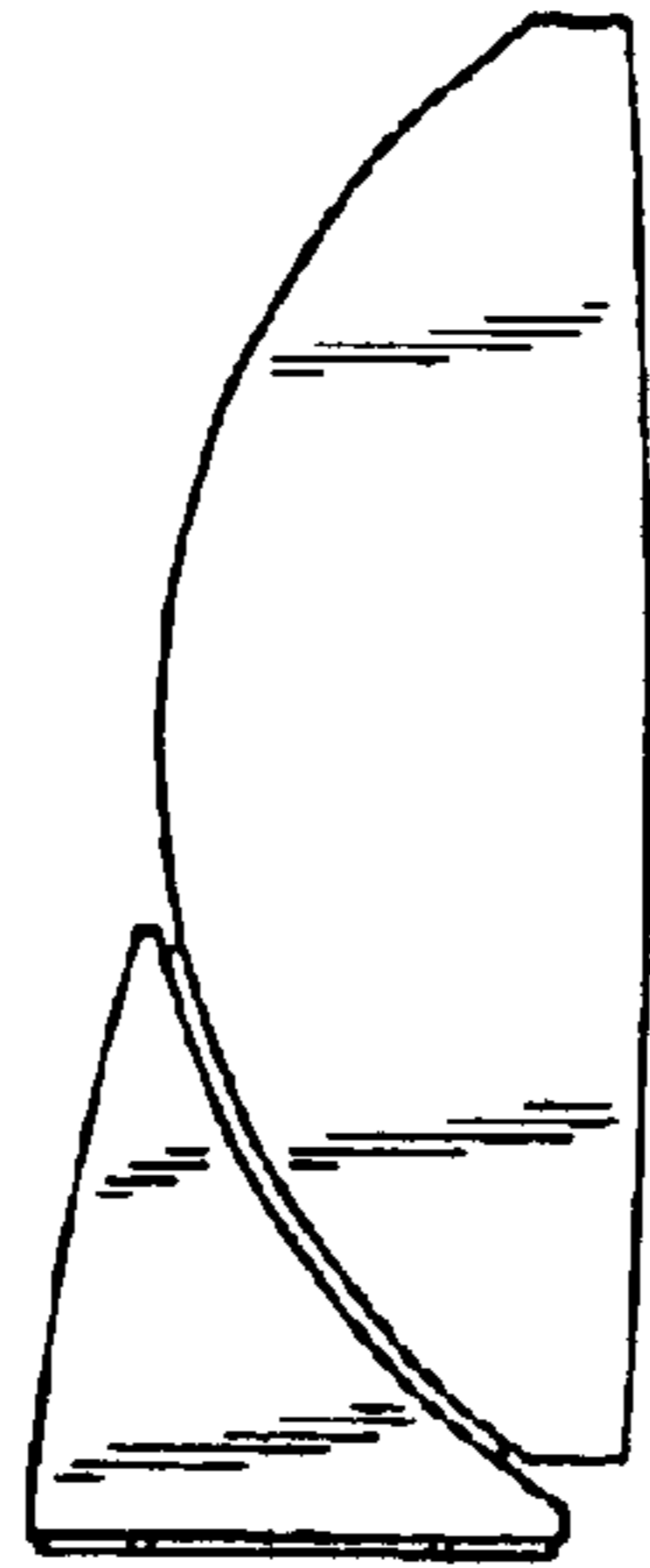


FIG. 4

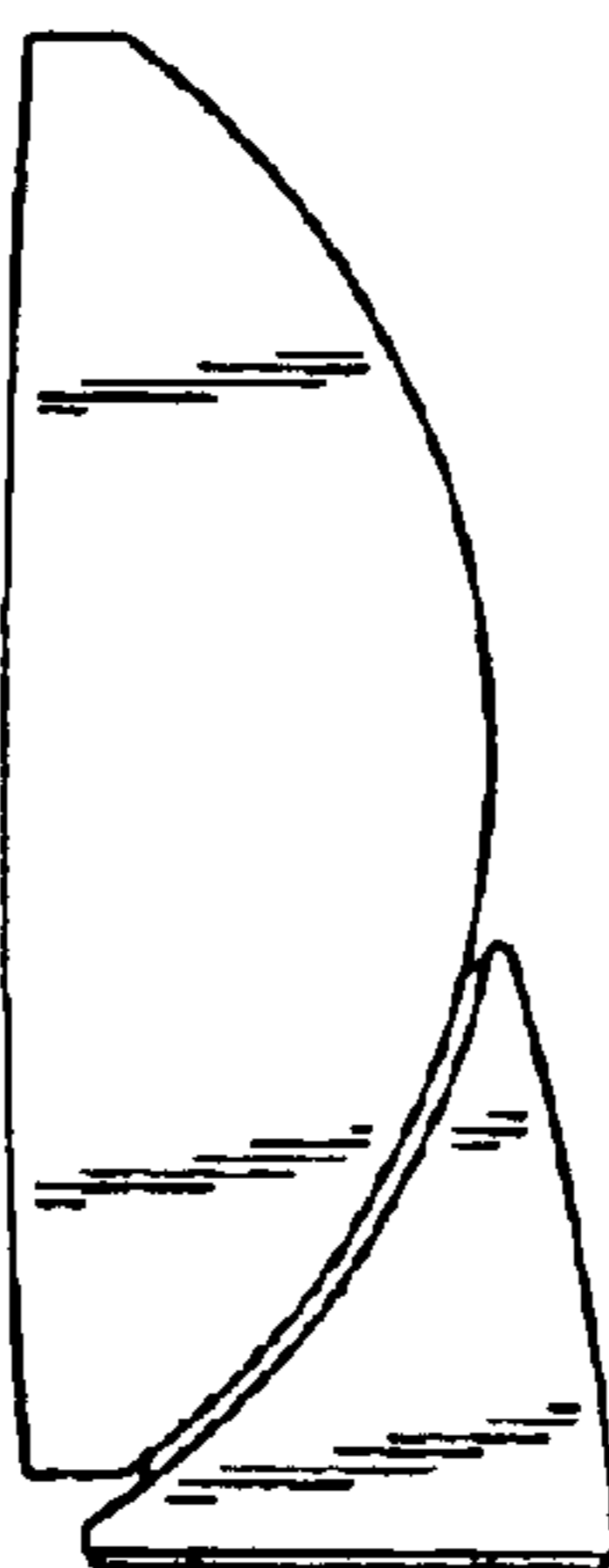


FIG. 5

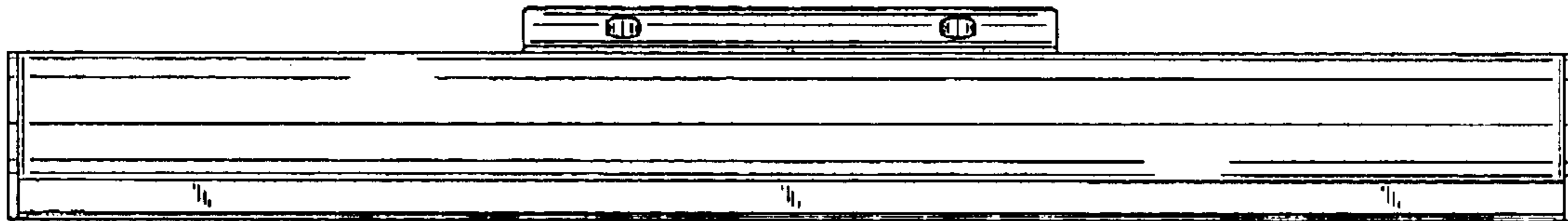


FIG. 6

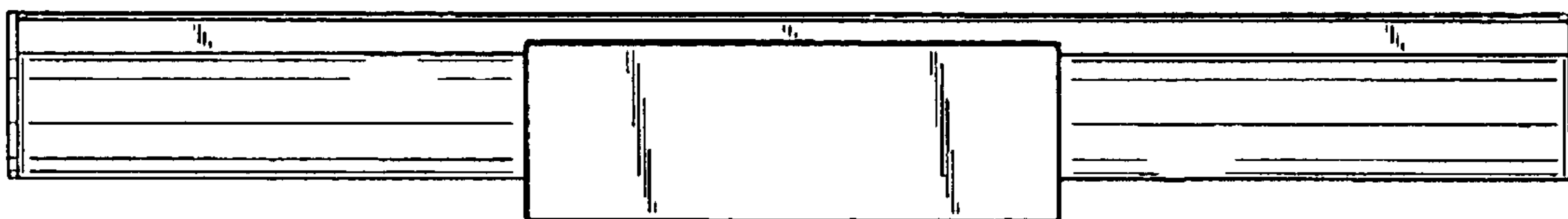


FIG. 7