

US00D508909S

(12) **United States Design Patent**
Harris, Jr. et al.

(10) **Patent No.:** **US D508,909 S**

(45) **Date of Patent:** **** Aug. 30, 2005**

(54) **AUDIO SPEAKER**

(75) Inventors: **Kenneth David Harris, Jr.**, Nashua, NH (US); **Rudy Woodard**, Boston, MA (US); **Tim Trzepacz**, Nashua, NH (US)

(73) Assignee: **Brookstone Purchasing, Inc.**, Merrimack, NH (US)

(**) Term: **14 Years**

(21) Appl. No.: **29/194,088**

(22) Filed: **Nov. 19, 2003**

(51) **LOC (8) Cl.** **14-01**

(52) **U.S. Cl.** **D14/211; D14/214**

(58) **Field of Search** D14/204, 207, D14/209–216, 356; 181/143–144, 147–148, 150, 157, 198–199, 151, 153; 381/300–302, 306, 333, 345, 361–364, 386–388, 332, 336

(56) **References Cited**

U.S. PATENT DOCUMENTS

D260,390 S * 8/1981 Bertagni D14/211
D321,196 S * 10/1991 Yamamoto D14/214

D450,311 S * 11/2001 Sawhney et al. D14/214
D461,177 S * 8/2002 Hisatsune D14/211
D467,897 S * 12/2002 Lin D14/211
D476,640 S * 7/2003 Harris et al. D14/211

* cited by examiner

Primary Examiner—Nanda Bondade

(74) *Attorney, Agent, or Firm*—Nixon Peabody LLP

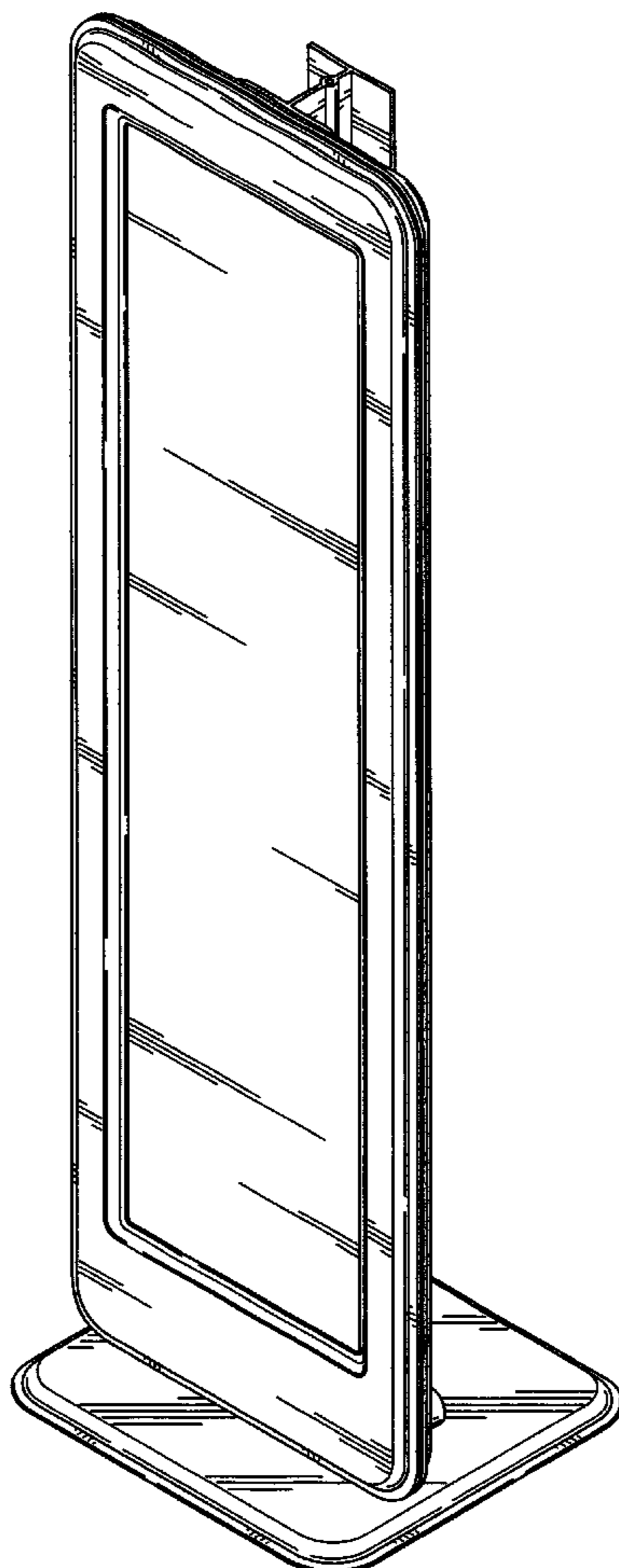
(57) **CLAIM**

We claim the ornamental design for an audio speaker, as shown and described.

DESCRIPTION

FIG. 1 is a front perspective view of a first embodiment of an audio speaker showing our new design; FIG. 2 is a front elevational view thereof; FIG. 3 is a top plan view thereof; FIG. 4 is a bottom plan view thereof; FIG. 5 is a right-side elevational view thereof; FIG. 6 is a left-side elevational view thereof; FIG. 7 is a back elevational view thereof; and, FIG. 8 is a front elevation view of a second embodiment of FIG. 1.

1 Claim, 8 Drawing Sheets



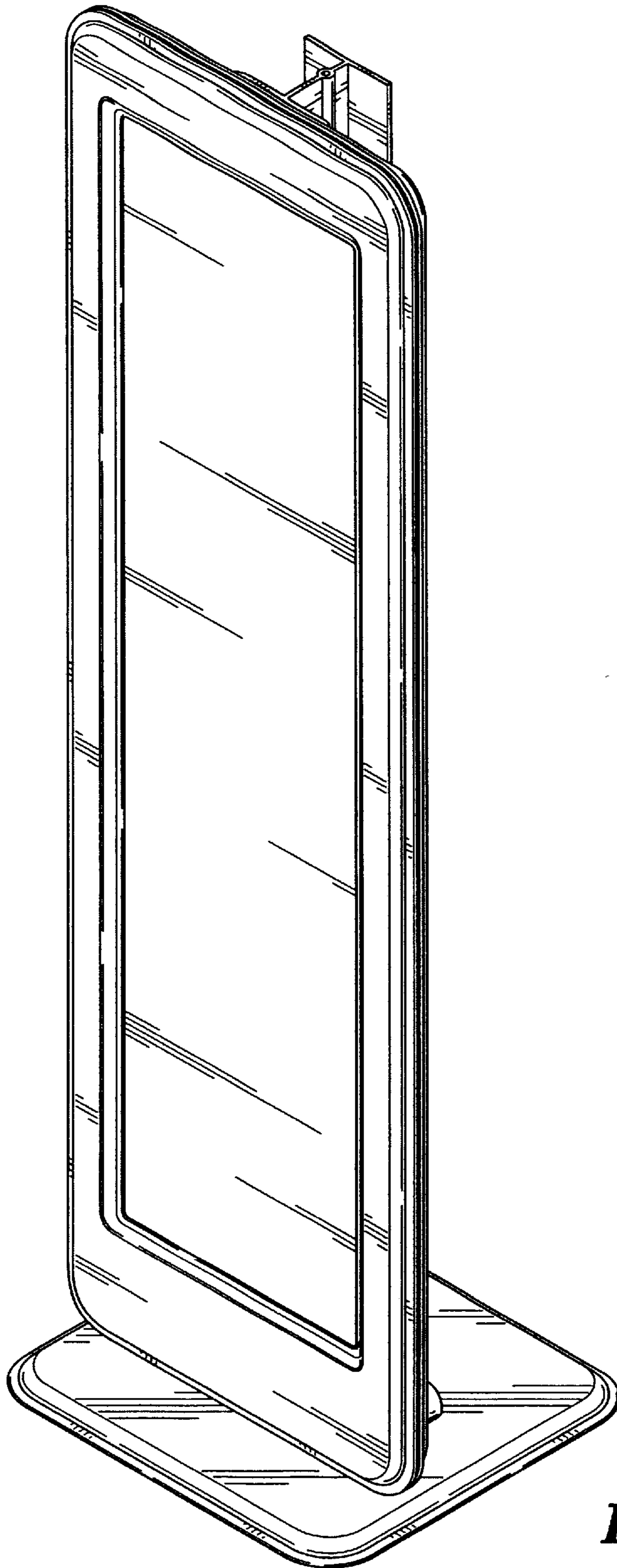


FIG. 1

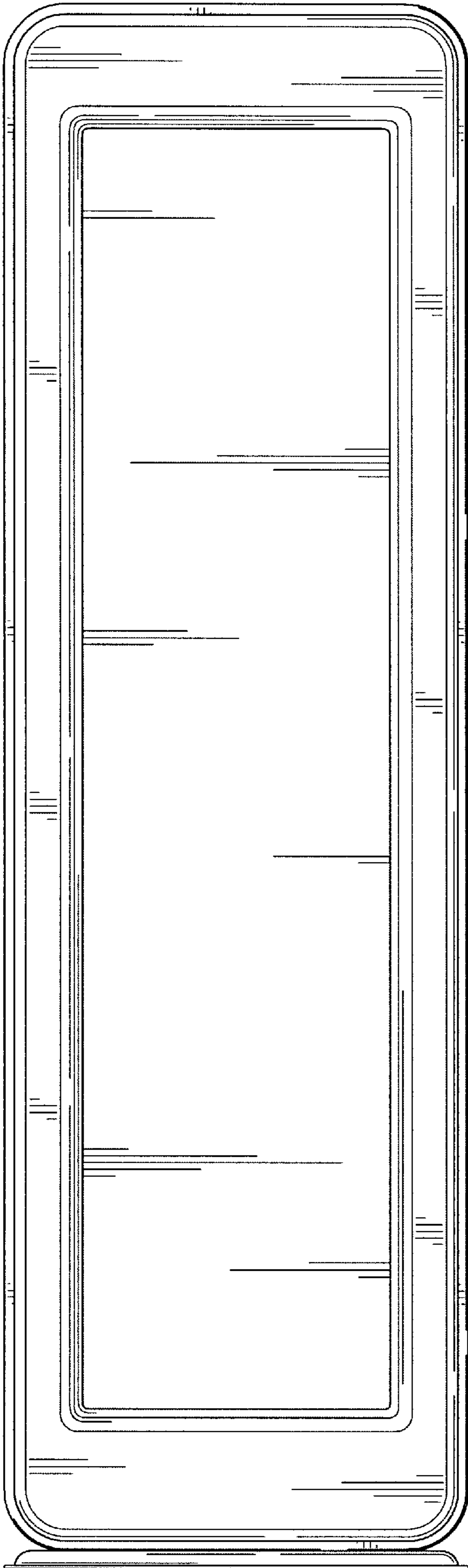


FIG. 2

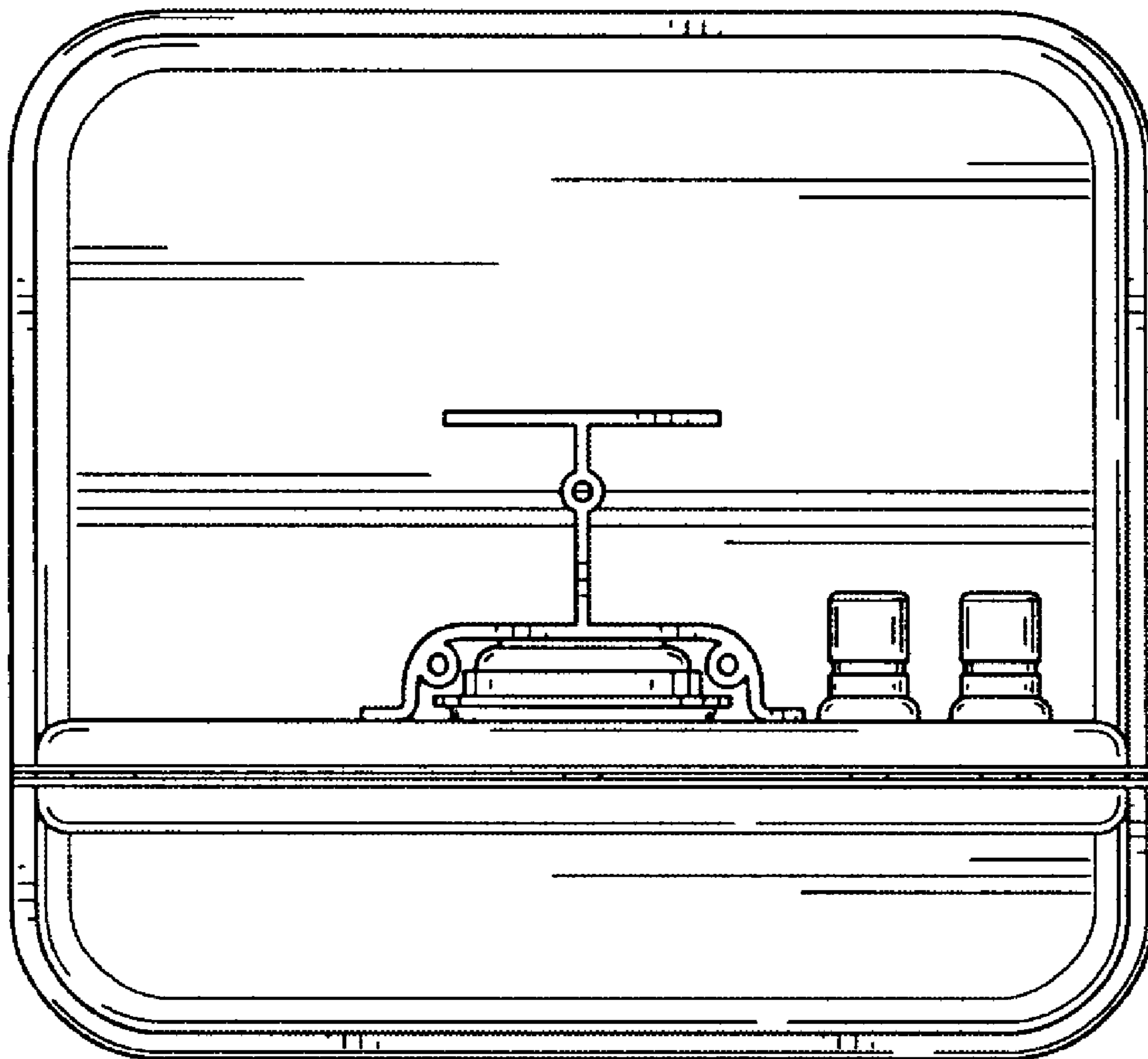


FIG. 3

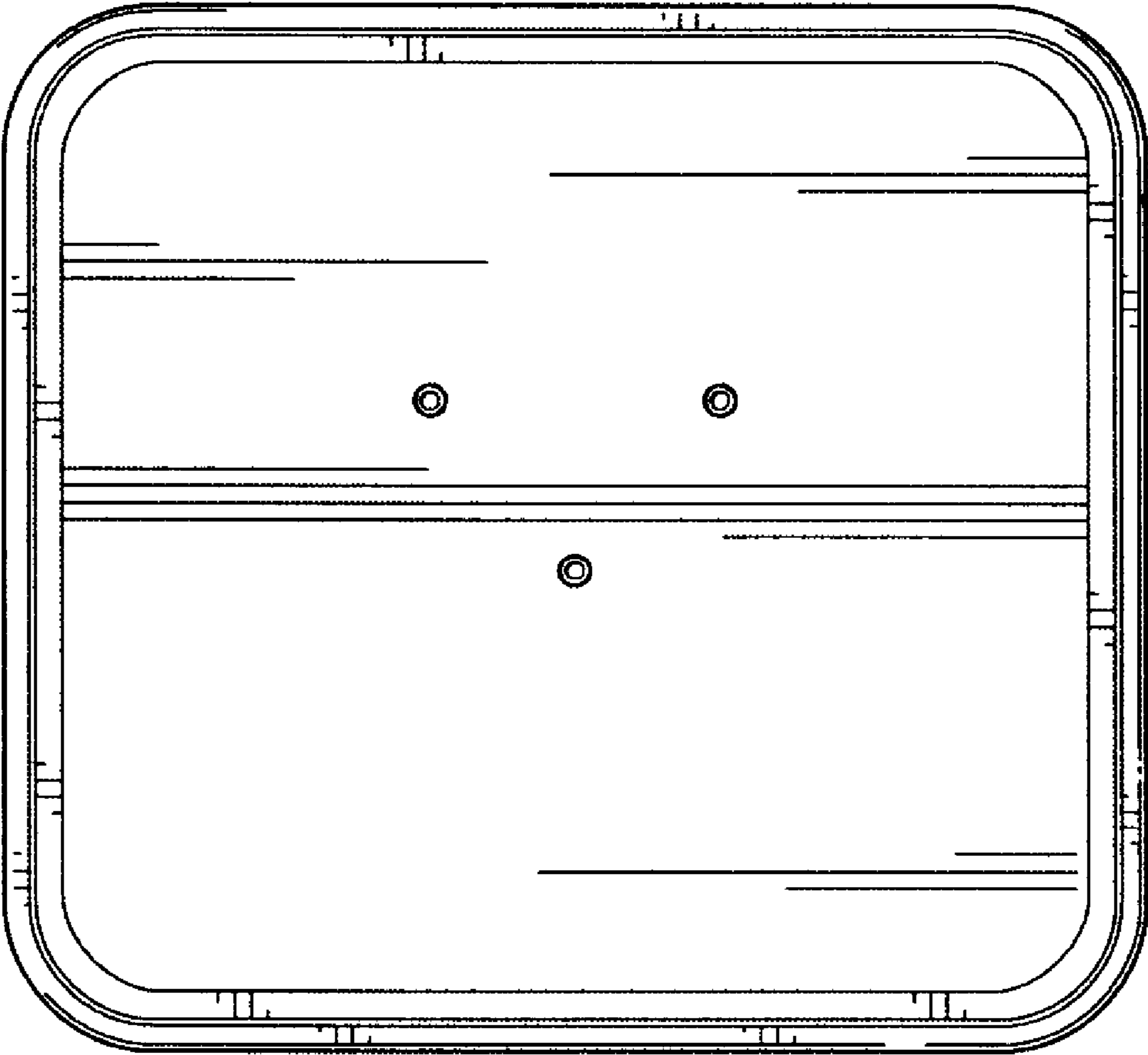


FIG. 4

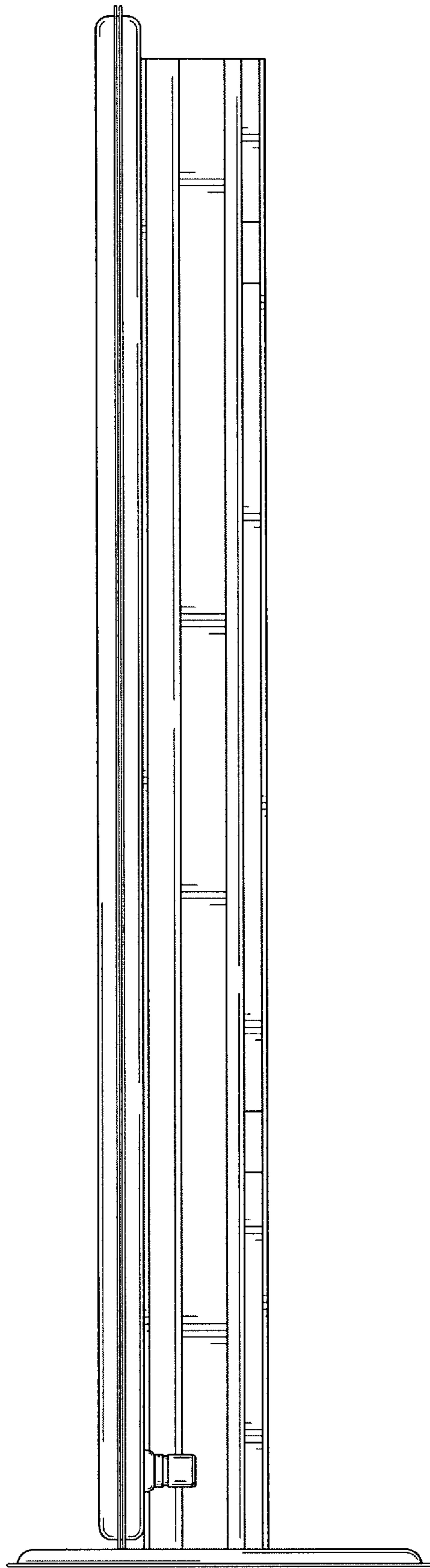


FIG. 5

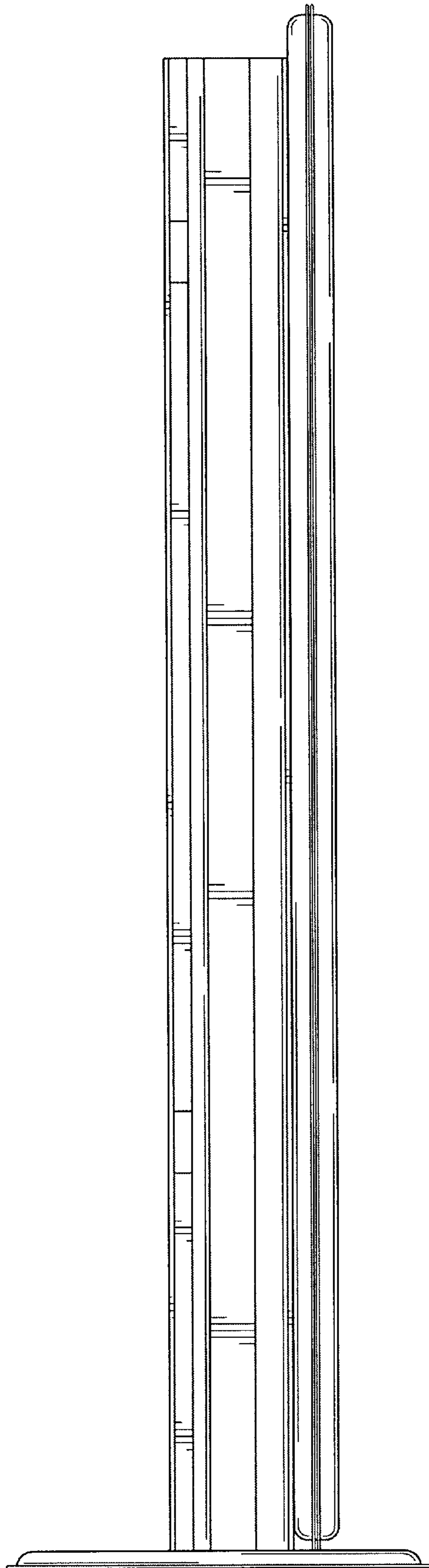


FIG. 6

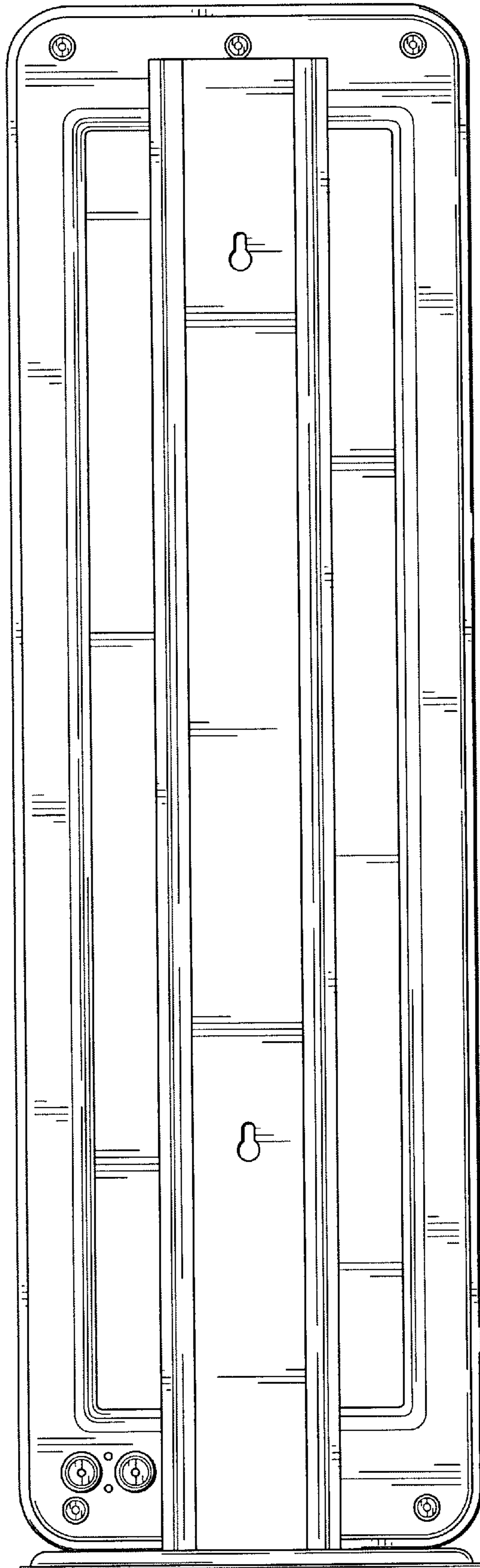


FIG. 7

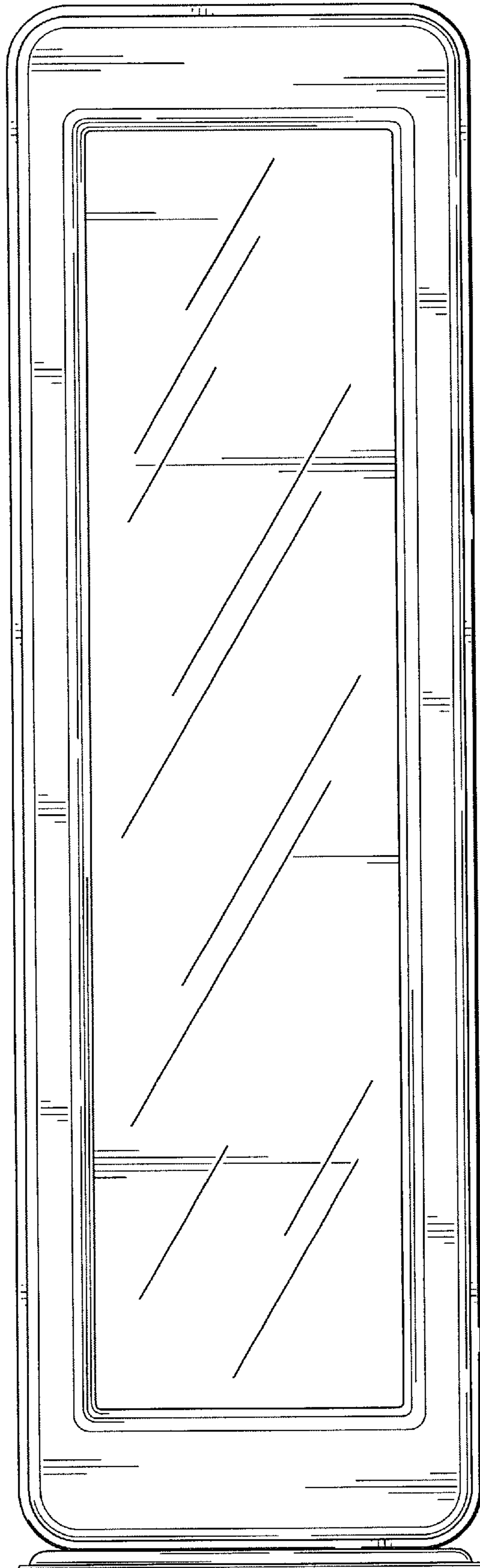


FIG. 8